

A
EC
C
D
E

SECTION **EC**

ENGINE CONTROL SYSTEM

CONTENTS

VQ35DE

PRECAUTION		F
PRECAUTIONS		
Precaution for Supplemental Restraint System (SRS) "AIR BAG" and "SEAT BELT PRE-TENSIONER"	9	
On Board Diagnostic (OBD) System of Engine and CVT	9	
General Precautions	10	
PREPARATION	13	
PREPARATION	13	
Special Service Tools	13	
Commercial Service Tools	13	
SYSTEM DESCRIPTION	15	
COMPONENT PARTS	15	
ENGINE CONTROL SYSTEM	15	
ENGINE CONTROL SYSTEM : Component Parts		
Location	15	
Accelerator Pedal Position Sensor	20	
Air Fuel Ratio (A/F) Sensor 1	20	
ASCD Steering Switch	21	
Battery Current Sensor (With Battery Temperature Sensor)	21	
Camshaft Position Sensor (PHASE)	21	
Cooling Fan Motor	22	
Crankshaft Position Sensor (POS)	22	
ECM	22	
Electric Throttle Control Actuator	23	
Electronic Controlled Engine Mount	23	
Engine Coolant Temperature Sensor	24	
Engine Oil Pressure Sensor	24	
Engine Oil Temperature Sensor	24	
EVAP Canister	25	
EVAP Canister Purge Volume Control Solenoid Valve	25	
EVAP Canister Vent Control Valve	25	
EVAP Control System Pressure Sensor	25	
Fuel Injector	26	
Fuel Level Sensor Unit and Fuel Pump (With Fuel Tank Temperature Sensor)	26	
Heated Oxygen Sensor 2	26	
Ignition Coil (With Power Transistor)	27	
Intake Valve Timing Control Solenoid Valve	27	
Intake Valve Timing Intermediate Lock Control Solenoid Valve	28	
Exhaust Valve Timing Control Position Sensor	28	
Exhaust Valve Timing Control Solenoid Valve	28	
Knock Sensor	28	
Malfunction Indicator Lamp (MIL)	29	
Mass Air Flow Sensor (With Intake Air Temperature Sensor)	29	
Oil Pressure Warning Lamp	29	
Power Valve Actuator 1 and 2	30	
Refrigerant Pressure Sensor	30	
Stop Lamp Switch & Brake Pedal Position Switch	30	
VIAS Control Solenoid Valve 1 and 2	30	
STRUCTURE AND OPERATION	31	
Positive Crankcase Ventilation (PCV)	31	
On Board Refueling Vapor Recovery (ORVR)	32	
SYSTEM	33	
ENGINE CONTROL SYSTEM	33	
ENGINE CONTROL SYSTEM : System Description	33	
ENGINE CONTROL SYSTEM : Fail-safe	34	
MULTIPOINT FUEL INJECTION SYSTEM	36	
MULTIPOINT FUEL INJECTION SYSTEM : System Description	37	
ELECTRIC IGNITION SYSTEM	39	
ELECTRIC IGNITION SYSTEM : System Description	39	
AIR CONDITIONING CUT CONTROL	40	

AIR CONDITIONING CUT CONTROL : System Description	40	INFORMATION DISPLAY (COMBINATION METER)	58
AUTOMATIC SPEED CONTROL DEVICE (ASCD)... 40		INFORMATION DISPLAY (COMBINATION METER) : ASCD Indicator	58
AUTOMATIC SPEED CONTROL DEVICE (AS-CD) : System Description	41	INFORMATION DISPLAY (COMBINATION METER) : Fuel Filler Cap Warning	58
COOLING FAN CONTROL	42	WARNING/INDICATOR/CHIME LIST	59
COOLING FAN CONTROL : System Description...	42	WARNING/INDICATOR/CHIME LIST : Warning lamps/Indicator lamps	59
ELECTRONIC CONTROLLED ENGINE MOUNT ... 43		WARNING/INDICATOR/CHIME LIST : Warning/Indicator (On Information Display)	59
ELECTRONIC CONTROLLED ENGINE MOUNT : System Description	43	OPERATION	60
EVAPORATIVE EMISSION SYSTEM	45	AUTOMATIC SPEED CONTROL DEVICE (ASCD)... 60	
EVAPORATIVE EMISSION SYSTEM : System Description	46	AUTOMATIC SPEED CONTROL DEVICE (AS-CD) : Switch Name and Function	60
THROTTLE CONTROL	46	ON BOARD DIAGNOSTIC (OBD) SYSTEM 62	
THROTTLE CONTROL : System Description	47	Diagnosis Description	62
INTAKE VALVE TIMING CONTROL	47	GST (Generic Scan Tool)	62
INTAKE VALVE TIMING CONTROL : System Description	47	DIAGNOSIS SYSTEM (ECM)	63
EXHAUST VALVE TIMING CONTROL	49	DIAGNOSIS DESCRIPTION	63
EXHAUST VALVE TIMING CONTROL : System Description	50	DIAGNOSIS DESCRIPTION : 1st Trip Detection Logic and Two Trip Detection Logic	63
ENGINE PROTECTION CONTROL AT LOW ENGINE OIL PRESSURE	50	DIAGNOSIS DESCRIPTION : DTC and Freeze Frame Data	63
ENGINE PROTECTION CONTROL AT LOW ENGINE OIL PRESSURE : System Description	50	DIAGNOSIS DESCRIPTION : Counter System	64
FUEL FILLER CAP WARNING SYSTEM	51	DIAGNOSIS DESCRIPTION : Driving Pattern	67
FUEL FILLER CAP WARNING SYSTEM : System Description	51	DIAGNOSIS DESCRIPTION : System Readiness Test (SRT) Code	68
VARIABLE INDUCTION AIR SYSTEM	52	DIAGNOSIS DESCRIPTION : Permanent Diagnostic Trouble Code (Permanent DTC)	69
VARIABLE INDUCTION AIR SYSTEM : System Description	52	DIAGNOSIS DESCRIPTION : Malfunction Indicator Lamp (MIL)	70
INTEGRATED CONTROL OF ENGINE, CVT, AND ABS	54	On Board Diagnosis Function	70
INTEGRATED CONTROL OF ENGINE, CVT, AND ABS : System Description	54	CONSULT Function	73
ALTERNATOR POWER GENERATION VOLTAGE VARIABLE CONTROL SYSTEM	54	ECU DIAGNOSIS INFORMATION	86
ALTERNATOR POWER GENERATION VOLTAGE VARIABLE CONTROL SYSTEM : System Description	54	ECM	86
SPORT MODE CONTROL	55	Reference Value	86
SPORT MODE CONTROL : System Description...	55	Fail-safe	103
CAN COMMUNICATION	55	DTC Inspection Priority Chart	105
CAN COMMUNICATION : System Description	55	DTC Index	107
WARNING LAMPS/INDICATOR LAMPS	55	Test Value and Test Limit	115
WARNING LAMPS/INDICATOR LAMPS : Engine Oil Pressure Warning Lamp	55	WIRING DIAGRAM	124
WARNING LAMPS/INDICATOR LAMPS : Malfunction Indicator Lamp (MIL)	57	ENGINE CONTROL SYSTEM	124
		Wiring Diagram	124
		BASIC INSPECTION	150
		DIAGNOSIS AND REPAIR WORKFLOW	150
		Work Flow	150
		Diagnostic Work Sheet	153

SERVICE AFTER REPLACING OR REMOVING ENGINE PARTS	155	Diagnosis Procedure	194	A
Description	155	U1000 CAN COMM CIRCUIT	195	EC
ADDITIONAL SERVICE WHEN REPLACING ECM	156	Description	195	
Description	156	DTC Description	195	
Work Procedure	156	Diagnosis Procedure	195	
ACCELERATOR PEDAL RELEASED POSITION LEARNING	158	U1001 CAN COMM CIRCUIT	196	C
Description	158	Description	196	
Work Procedure	158	DTC Description	196	
THROTTLE VALVE CLOSED POSITION LEARNING	159	Diagnosis Procedure	196	
Description	159	P0011, P0021 IVT CONTROL	197	D
Work Procedure	159	DTC Description	197	
IDLE AIR VOLUME LEARNING	160	Diagnosis Procedure	198	E
Description	160	Component Inspection	200	
Work Procedure	160	P0014, P0024 EVT CONTROL	201	F
MIXTURE RATIO SELF-LEARNING VALUE CLEAR	162	DTC Description	201	G
Description	162	Diagnosis Procedure	202	
Work Procedure	162	Component Inspection (Camshaft Position Sensor)	204	
VIN REGISTRATION	163	Component Inspection (Crankshaft Position Sensor)	205	H
Description	163	Component Inspection (Exhaust Valve Timing Control Position Sensor)	205	
Work Procedure	163	Component Inspection (Exhaust Valve Timing Control Solenoid Valve)	206	I
BASIC INSPECTION	164	P0030, P0031, P0032, P0036, P0051, P0052 A/F SENSOR 1 HEATER	207	J
Work Procedure	164	DTC Description	207	
FUEL PRESSURE	168	Diagnosis Procedure	208	K
Work Procedure	168	Component Inspection	209	
HOW TO SET SRT CODE	170	P0037, P0038, P0057, P0058 HO2S2 HEATER	210	L
Description	170	DTC Description	210	
SRT Set Driving Pattern	171	Diagnosis Procedure	211	M
Work Procedure	173	Component Inspection	212	
HOW TO ERASE PERMANENT DTC	176	P0075, P0081 IVT CONTROL SOLENOID VALVE	213	N
Description	176	DTC Description	213	
Work Procedure (Group A)	177	Diagnosis Procedure	214	O
Work Procedure (Group B)	179	Component Inspection (IVT Control Solenoid Valve)	216	
DTC/CIRCUIT DIAGNOSIS	182	Component Inspection (IVT Intermediate Lock Control Solenoid Valve)	217	P
TROUBLE DIAGNOSIS - SPECIFICATION VALUE	182	P0078, P0084 EVT CONTROL SOLENOID VALVE	218	
Description	182	DTC Description	218	
Component Function Check	182	Diagnosis Procedure	219	
Diagnosis Procedure	183	Component Inspection	220	
POWER SUPPLY AND GROUND CIRCUIT ...	190	P0101 MAF SENSOR	221	
Diagnosis Procedure	190	DTC Description	221	
U0101 CAN COMM CIRCUIT	194	Diagnosis Procedure	222	
Description	194	Component Inspection	223	
DTC Description	194			

P0102, P0103 MAF SENSOR	226	P0138, P0158 HO2S2	268
DTC Description	226	DTC Description	268
Diagnosis Procedure	227	Diagnosis Procedure	271
Component Inspection	229	Component Inspection	273
P0111 IAT SENSOR	232	P0139, P0159 HO2S2	276
DTC Description	232	DTC Description	276
Diagnosis Procedure	233	Diagnosis Procedure	279
Component Inspection	233	Component Inspection	280
P0112, P0113 IAT SENSOR	234	P014C, P014D, P014E, P014F, P015A,	
DTC Description	234	P015B, P015C, P015D A/F SENSOR 1	282
Diagnosis Procedure	234	DTC Description	282
Component Inspection	235	Diagnosis Procedure	285
P0116 ECT SENSOR	236	P0171, P0174 FUEL INJECTION SYSTEM	
DTC Description	236	FUNCTION	289
Diagnosis Procedure	237	DTC Description	289
Component Inspection	237	Diagnosis Procedure	291
P0117, P0118 ECT SENSOR	238	P0172, P0175 FUEL INJECTION SYSTEM	
DTC Description	238	FUNCTION	294
Diagnosis Procedure	239	DTC Description	294
Component Inspection	239	Diagnosis Procedure	296
P0122, P0123 TP SENSOR	241	P0181 FTT SENSOR	299
DTC Description	241	DTC Description	299
Diagnosis Procedure	242	Diagnosis Procedure	301
Component Inspection	243	Component Inspection	302
P0125 ECT SENSOR	244	P0182, P0183 FTT SENSOR	303
DTC Description	244	DTC Description	303
Diagnosis Procedure	245	Diagnosis Procedure	303
Component Inspection	245	Component Inspection	304
P0127 IAT SENSOR	247	P0196 EOT SENSOR	306
DTC Description	247	DTC Description	306
Diagnosis Procedure	248	Diagnosis Procedure	308
Component Inspection	248	Component Inspection	309
P0128 THERMOSTAT FUNCTION	249	P0197, P0198 EOT SENSOR	310
DTC Description	249	DTC Description	310
Diagnosis Procedure	251	Diagnosis Procedure	311
Component Inspection	251	Component Inspection	311
P0130, P0150 A/F SENSOR 1	252	P0222, P0223 TP SENSOR	312
DTC Description	252	DTC Description	312
Diagnosis Procedure	254	Diagnosis Procedure	313
P0131, P0151 A/F SENSOR 1	256	Component Inspection	314
DTC Description	256	P0300, P0301, P0302, P0303, P0304, P0305,	
Diagnosis Procedure	257	P0306 MISFIRE	315
P0132, P0152 A/F SENSOR 1	259	DTC Description	315
DTC Description	259	Diagnosis Procedure	318
Diagnosis Procedure	260	P0327, P0328, P0332, P0333 KS	323
P0137, P0157 HO2S2	262	DTC Description	323
DTC Description	262	Diagnosis Procedure	324
Diagnosis Procedure	264	Component Inspection	325
Component Inspection	265	P0335 CKP SENSOR (POS)	326

DTC Description	326	DTC Description	374	
Diagnosis Procedure	327	Diagnosis Procedure	376	A
Component Inspection	328	Component Inspection	379	
P0340, P0345 CMP SENSOR (PHASE)	330	P0460 FUEL LEVEL SENSOR	380	EC
DTC Description	330	DTC Description	380	
Diagnosis Procedure	332	Diagnosis Procedure	381	
Component Inspection	334			
P0420, P0430 THREE WAY CATALYST FUNCTION	335	P0461 FUEL LEVEL SENSOR	382	C
DTC Description	335	DTC Description	382	
Diagnosis Procedure	337	Diagnosis Procedure	383	
P0441 EVAP CONTROL SYSTEM	341	P0462, P0463 FUEL LEVEL SENSOR	384	D
DTC Description	341	DTC Description	384	
Diagnosis Procedure	343	Diagnosis Procedure	385	E
P0443 EVAP CANISTER PURGE VOLUME CONTROL SOLENOID VALVE	347	P0500 VSS	386	F
DTC Description	347	Description	386	
Diagnosis Procedure	349	DTC Description	386	
Component Inspection	351	Diagnosis Procedure	387	
P0444, P0445 EVAP CANISTER PURGE VOLUME CONTROL SOLENOID VALVE	352	P0506 ISC SYSTEM	389	G
DTC Description	352	Description	389	
Diagnosis Procedure	353	DTC Description	389	
Component Inspection	354	Diagnosis Procedure	390	
P0447 EVAP CANISTER VENT CONTROL VALVE	355	P0507 ISC SYSTEM	391	H
DTC Description	355	Description	391	
Diagnosis Procedure	355	DTC Description	391	
Component Inspection	356	Diagnosis Procedure	392	I
P0448 EVAP CANISTER VENT CONTROL VALVE	359	P050A, P050E COLD START CONTROL	393	J
DTC Description	359	Description	393	
Diagnosis Procedure	360	DTC Description	393	
Component Inspection	361	Diagnosis Procedure	394	
P0451 EVAP CONTROL SYSTEM PRES- SURE SENSOR	363	P0520 EOP SENSOR	396	K
DTC Description	363	DTC Description	396	
Diagnosis Procedure	364	Diagnosis Procedure	397	
Component Inspection	365	Component Inspection	398	L
P0452 EVAP CONTROL SYSTEM PRES- SURE SENSOR	367	P0524 ENGINE OIL PRESSURE	400	M
DTC Description	367	DTC Description	400	
Diagnosis Procedure	368	Diagnosis Procedure	401	
Component Inspection	369	Component Inspection	402	
P0453 EVAP CONTROL SYSTEM PRES- SURE SENSOR	370	P052A, P052B, P052C, P052D INTAKE VALVE TIMING CONTROL	404	N
DTC Description	370	DTC Description	404	
Diagnosis Procedure	371	Diagnosis Procedure	406	
Component Inspection	373	Component Inspection (Intake Valve Timing Con- trol Solenoid Valve)	407	O
P0456 EVAP CONTROL SYSTEM	374	Component Inspection (Intake Valve Timing Inter- mediate Lock Control Solenoid Valve)	408	
		Component Inspection (Crankshaft Position sen- sor)	409	P
		Component Inspection (Camshaft position sen- sor)	409	
		P0603, P062F ECM	411	
		DTC Description	411	

Diagnosis Procedure	412	P1550 BATTERY CURRENT SENSOR	444
P0604 ECM	413	DTC Description	444
DTC Description	413	Diagnosis Procedure	444
Diagnosis Procedure	413	Component Inspection	445
P0605 ECM	415	P1551, P1552 BATTERY CURRENT SEN- SOR	447
DTC Description	415	DTC Description	447
Diagnosis Procedure	415	Diagnosis Procedure	448
P0606 ECM	417	Component Inspection	449
DTC Description	417	P1553 BATTERY CURRENT SENSOR	450
Diagnosis Procedure	418	DTC Description	450
P0607 ECM	419	Diagnosis Procedure	450
DTC Description	419	Component Inspection	451
Diagnosis Procedure	419	P1554 BATTERY CURRENT SENSOR	453
P060A ECM	420	DTC Description	453
DTC Description	420	Diagnosis Procedure	454
Diagnosis Procedure	420	Component Inspection	455
P060B ECM	422	P1556, P1557 BATTERY TEMPERATURE SENSOR	456
DTC Description	422	DTC Description	456
Diagnosis Procedure	422	Diagnosis Procedure	457
P0643 SENSOR POWER SUPPLY	424	Component Inspection (Battery Temperature Sensor)	458
Description	424	P1564 ASCD STEERING SWITCH	459
DTC Description	424	DTC Description	459
Diagnosis Procedure	425	Diagnosis Procedure	460
P0850 PNP SWITCH	427	Component Inspection	461
Description	427	P1564 ICC STEERING SWITCH	462
DTC Description	427	DTC Description	462
Diagnosis Procedure	428	Diagnosis Procedure	463
P1078, P1084 EVT CONTROL POSITION SENSOR	430	Component Inspection	464
DTC Description	430	P1568 ICC FUNCTION	465
Diagnosis Procedure	431	DTC Description	465
Component Inspection	432	Diagnosis Procedure	466
P1148, P1168 CLOSED LOOP CONTROL	434	P1572 ASCD BRAKE SWITCH	467
DTC Description	434	Description	467
P1212 TCS COMMUNICATION LINE	435	DTC Description	467
Description	435	Diagnosis Procedure	469
DTC Description	435	Component Inspection (Brake Pedal Position Switch)	473
Diagnosis Procedure	436	Component Inspection (Stop Lamp Switch)	473
P1217 ENGINE OVER TEMPERATURE	437	Component Inspection (Stop Lamp Relay)	474
DTC Description	437	P1572 ICC BRAKE SWITCH	475
Diagnosis Procedure	438	DTC Description	475
P1225 TP SENSOR	440	Diagnosis Procedure	477
DTC Description	440	Component Inspection (ICC Brake Switch)	480
Diagnosis Procedure	440	Component Inspection (Stop Lamp Switch)	480
P1226 TP SENSOR	442	Component Inspection (Stop Lamp Relay)	481
DTC Description	442	P1574 ASCD VEHICLE SPEED SENSOR	482
Diagnosis Procedure	442	Description	482
		DTC Description	

Diagnosis Procedure	483	P2135 TP SENSOR	518	
P1574 ICC VEHICLE SPEED SENSOR	484	DTC Description	518	A
Description	484	Diagnosis Procedure	519	
DTC Description	484	Component Inspection	520	
Diagnosis Procedure	485	P2138 APP SENSOR	521	EC
P1700 CVT CONTROL SYSTEM	486	DTC Description	521	
Description	486	Diagnosis Procedure	522	
P1800 VIAS CONTROL SOLENOID VALVE 1	487	Component Inspection	523	C
DTC Description	487	P219A, P219B AIR FUEL RATIO	525	
Diagnosis Procedure	487	DTC Description	525	D
Component Inspection	488	Diagnosis Procedure	527	
P1801 VIAS CONTROL SOLENOID VALVE 2	490	P2610 ECM INTERNAL TIMER	531	E
DTC Description	490	Description	531	
Diagnosis Procedure	490	DTC Description	531	
Component Inspection	491	Diagnosis Procedure	532	
P1805 BRAKE SWITCH	493	ASCD INDICATOR	534	F
Description	493	Component Function Check	534	
DTC Description	493	Diagnosis Procedure	534	
Diagnosis Procedure	493	BATTERY CURRENT SENSOR	535	G
Component Inspection (Stop Lamp Switch)	495	Diagnosis Procedure	535	
Component Inspection (Stop Lamp Relay)	496	Component Inspection	536	H
P2096, P2097, P2098, P2099 A/F SENSOR 1	497	BRAKE PEDAL POSITION SWITCH	537	
DTC Description	497	Component Function Check	537	
Diagnosis Procedure	498	Diagnosis Procedure	537	I
P2100, P2103 THROTTLE CONTROL MOTOR RELAY	502	Component Inspection (Brake Pedal Position Switch)	538	J
DTC Description	502	ICC BRAKE SWITCH	539	
Diagnosis Procedure	503	Component Function Check	539	
P2101 ELECTRIC THROTTLE CONTROL FUNCTION	504	Diagnosis Procedure	539	K
DTC Description	504	Component Inspection (ICC Brake Switch)	540	
Diagnosis Procedure	505	COOLING FAN	541	L
Component Inspection	506	Component Function Check	541	
P2118 THROTTLE CONTROL MOTOR	507	Diagnosis Procedure	541	
DTC Description	507	Component Inspection (Cooling Fan Motor)	543	
Diagnosis Procedure	507	Component Inspection (Cooling Fan Relay)	544	M
Component Inspection	508	ELECTRICAL LOAD SIGNAL	545	
P2119 ELECTRIC THROTTLE CONTROL ACTUATOR	509	Description	545	
DTC Description	509	Component Function Check	545	N
Diagnosis Procedure	510	Diagnosis Procedure	545	
P2122, P2123 APP SENSOR	511	ELECTRONIC CONTROLLED ENGINE MOUNT	547	O
DTC Description	511	Component Function Check	547	
Diagnosis Procedure	512	Diagnosis Procedure	547	
Component Inspection	513	Component Inspection	548	P
P2127, P2128 APP SENSOR	514	FUEL INJECTOR	550	
DTC Description	514	Component Function Check	550	
Diagnosis Procedure	515	Diagnosis Procedure	550	
Component Inspection	516	Component Inspection	551	
P2135 TP SENSOR	518	FUEL PUMP	553	
DTC Description	518	Component Function Check	553	
Diagnosis Procedure	519			
Component Inspection	520			

Diagnosis Procedure	553	SYMPTOM DIAGNOSIS	575
Component Inspection(Fuel Pump)	554	ENGINE CONTROL SYSTEM SYMPTOMS ...	575
IGNITION SIGNAL	555	Symptom Table	575
Component Function Check	555	NORMAL OPERATING CONDITION	580
Diagnosis Procedure	555	Description	580
Component Inspection (Ignition Coil with Power Transistor)	558	PERIODIC MAINTENANCE	581
Component Inspection (Condenser-1)	559	IDLE SPEED	581
INFORMATION DISPLAY (ASCD)	560	Work Procedure	581
Component Function Check	560	IGNITION TIMING	582
Diagnosis Procedure	560	Work Procedure	582
MALFUNCTION INDICATOR LAMP	561	EVAP LEAK CHECK	583
Component Function Check	561	Work Procedure	583
Diagnosis Procedure	561	POSITIVE CRANKCASE VENTILATION	585
ON BOARD REFUELING VAPOR RECOVERY (ORVR)	562	Work Procedure	585
Component Function Check	562	REMOVAL AND INSTALLATION	586
Diagnosis Procedure	562	ECM	586
Component Inspection	564	Exploded View	586
REFRIGERANT PRESSURE SENSOR	567	Removal and Installation	586
Component Function Check	567	SERVICE DATA AND SPECIFICATIONS (SDS)	587
Diagnosis Procedure	567	SERVICE DATA AND SPECIFICATIONS (SDS)	587
SENSOR POWER SUPPLY2 CIRCUIT	569	Idle Speed	587
Description	569	Ignition Timing	587
Diagnosis Procedure	569	Calculated Load Value	587
VARIABLE INDUCTION AIR SYSTEM	571	Mass Air Flow Sensor	587
Component Function Check	571		
Diagnosis Procedure	572		

PRECAUTION

PRECAUTIONS

Precaution for Supplemental Restraint System (SRS) "AIR BAG" and "SEAT BELT PRE-TENSIONER"

INFOID:000000012462681

The Supplemental Restraint System such as "AIR BAG" and "SEAT BELT PRE-TENSIONER", used along with a front seat belt, helps to reduce the risk or severity of injury to the driver and front passenger for certain types of collision. Information necessary to service the system safely is included in the SR and SB section of this Service Manual.

WARNING:

- To avoid rendering the SRS inoperative, which could increase the risk of personal injury or death in the event of a collision which would result in air bag inflation, it is recommended that all maintenance and repair be performed by an authorized NISSAN/INFINITI dealer.
- Improper repair, including incorrect removal and installation of the SRS, can lead to personal injury caused by unintentional activation of the system. For removal of Spiral Cable and Air Bag Module, see the SR section.
- Do not use electrical test equipment on any circuit related to the SRS unless instructed to in this Service Manual. SRS wiring harnesses can be identified by yellow and/or orange harnesses or harness connectors.

PRECAUTIONS WHEN USING POWER TOOLS (AIR OR ELECTRIC) AND HAMMERS

WARNING:

- When working near the Air Bag Diagnosis Sensor Unit or other Air Bag System sensors with the Ignition ON or engine running, DO NOT use air or electric power tools or strike near the sensor(s) with a hammer. Heavy vibration could activate the sensor(s) and deploy the air bag(s), possibly causing serious injury.
- When using air or electric power tools or hammers, always switch the Ignition OFF, disconnect the battery or batteries, and wait at least three minutes before performing any service.

On Board Diagnostic (OBD) System of Engine and CVT

INFOID:000000011939616

The ECM has an on board diagnostic system. It will illuminate the malfunction indicator lamp (MIL) to warn the driver of a malfunction causing emission deterioration.

CAUTION:

- Always to turn the ignition switch OFF and disconnect the negative battery cable before any repair or inspection work. The open/short circuit of related switches, sensors, solenoid valves, etc. will cause the MIL to illuminate.
- Always to connect and lock the connectors securely after work. A loose (unlocked) connector will cause the MIL to illuminate due to the open circuit. (Be sure the connector is free from water, grease, dirt, bent terminals, etc.)
- Certain systems and components, especially those related to OBD, may use a new style slide-locking type harness connector. For description and how to disconnect, refer to [PG-9, "Harness Connector"](#).
- Always route and secure the harnesses properly after work. The interference of the harness with a bracket, etc. may cause the MIL to illuminate due to the short circuit.
- Always to connect rubber tubes properly after work. A misconnected or disconnected rubber tube may cause the MIL to illuminate due to the malfunction of the EVAP system or fuel injection system, etc.
- Always to erase the unnecessary malfunction information (repairs completed) from the ECM and TCM (Transmission control module) before returning the vehicle to the customer.

PRECAUTIONS

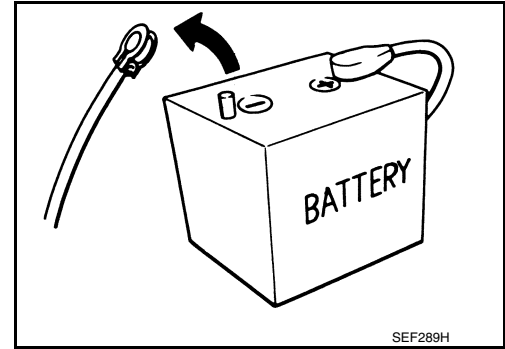
[VQ35DE]

< PRECAUTION >

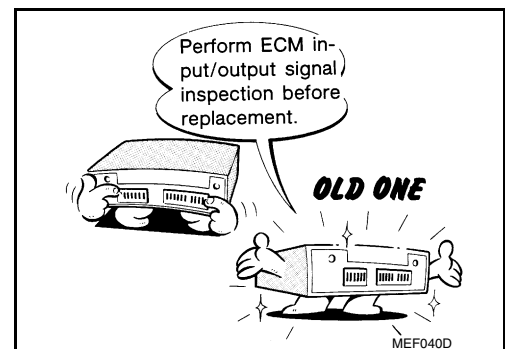
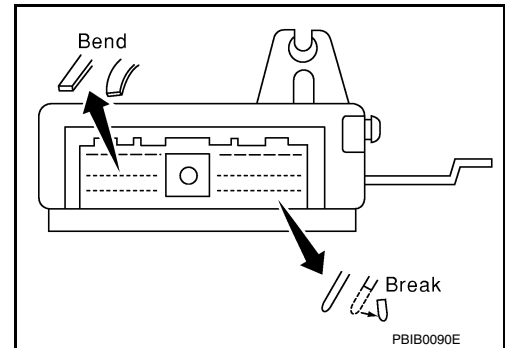
General Precautions

INFOID:000000011939617

- Always use a 12 volt battery as power source.
- Never attempt to disconnect battery cables while engine is running.
- Before connecting or disconnecting the ECM harness connector, turn ignition switch OFF and disconnect negative battery cable. Failure to do so may damage the ECM because battery voltage is applied to ECM even if ignition switch is turned OFF.
- Before removing parts, turn ignition switch OFF and then disconnect battery ground cable.



- Never disassemble ECM.
- If a battery cable is disconnected, the memory will return to the ECM value. The ECM will now start to self-control at its initial value. Thus, engine operation can vary slightly in this case. However, this is not an indication of a malfunction. Never replace parts because of a slight variation.
- If the battery is disconnected, the following emission-related diagnostic information will be lost within 24 hours.
 - Diagnostic trouble codes
 - 1st trip diagnostic trouble codes
 - Freeze frame data
 - 1st trip freeze frame data
 - System readiness test (SRT) codes
 - Test values
- When connecting or disconnecting pin connectors into or from ECM, never damage pin terminals (bends or break). Check that there are not any bends or breaks on ECM pin terminal, when connecting pin connectors.
- Securely connect ECM harness connectors. A poor connection can cause an extremely high (surge) voltage to develop in coil and condenser, thus resulting in damage to ICs.
- Keep engine control system harness at least 10 cm (4 in) away from adjacent harness, to prevent engine control system malfunctions due to receiving external noise, degraded operation of ICs, etc.
- Keep engine control system parts and harness dry.
- Before replacing ECM, perform ECM Terminals and Reference Value inspection and check ECM functions properly. Refer to [EC-86. "Reference Value"](#).
- Handle mass air flow sensor carefully to avoid damage.
- Never clean mass air flow sensor with any type of detergent.
- Never disassemble electric throttle control actuator.
- Even a slight leakage in the air intake system can cause serious incidents.
- Never shock or jar the camshaft position sensor (PHASE), crankshaft position sensor (POS).

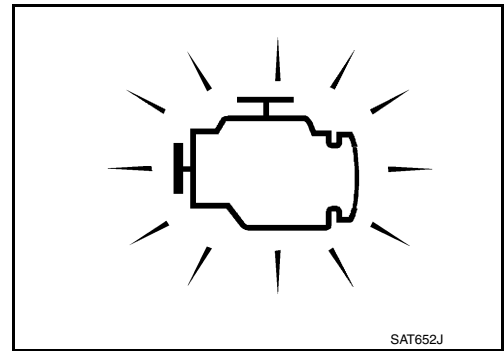


PRECAUTIONS

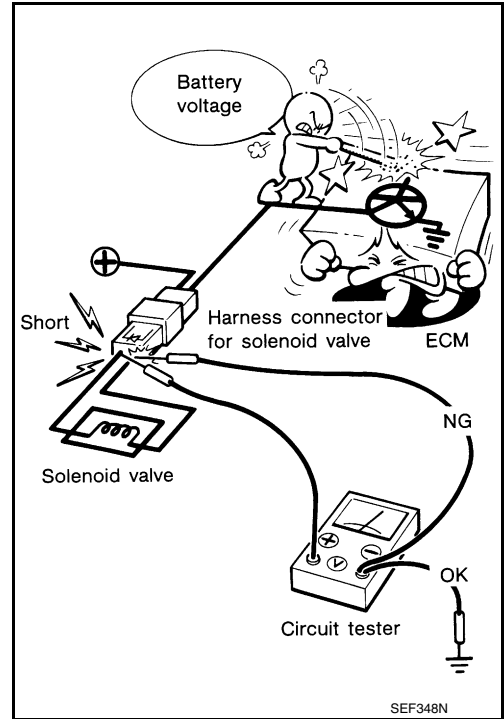
[VQ35DE]

< PRECAUTION >

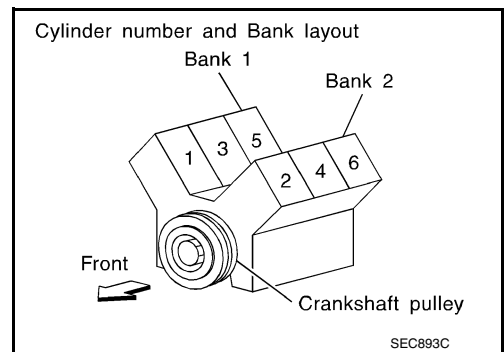
- After performing each TROUBLE DIAGNOSIS, perform DTC Confirmation Procedure or Component Function Check. The DTC should not be displayed in the DTC Confirmation Procedure if the repair is completed. The Component Function Check should be a good result if the repair is completed.



- When measuring ECM signals with a circuit tester, never allow the two tester probes to contact. Accidental contact of probes will cause a short circuit and damage the ECM power transistor.



- B1 indicates bank 1, B2 indicates bank 2 as shown in the figure.
- Never operate fuel pump when there is no fuel in lines.
- Tighten fuel hose clamps to the specified torque.

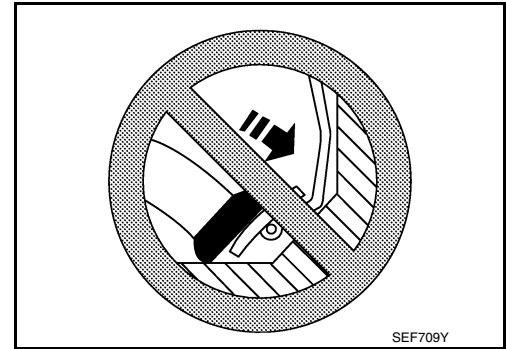


PRECAUTIONS

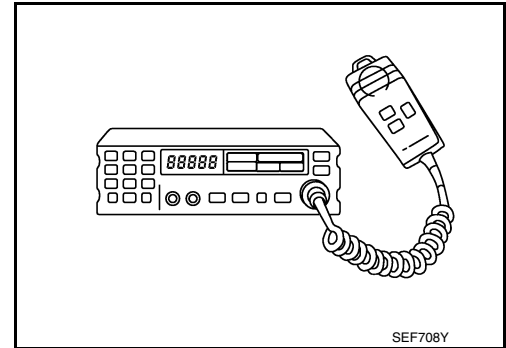
[VQ35DE]

< PRECAUTION >

- Never depress accelerator pedal when starting.
- Immediately after starting, never rev up engine unnecessarily.
- Never rev up engine just prior to shutdown.



- When installing C.B. ham radio or a mobile phone, be sure to observe the following as it may adversely affect electronic control systems depending on installation location.
 - Keep the antenna as far as possible from the electronic control units.
 - Keep the antenna feeder line more than 20 cm (8 in) away from the harness of electronic controls. Never let them run parallel for a long distance.
 - Adjust the antenna and feeder line so that the standing-wave ratio can be kept smaller.
 - Be sure to ground the radio to vehicle body.



PREPARATION

< PREPARATION >

[VQ35DE]

PREPARATION

PREPARATION

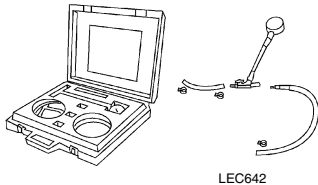
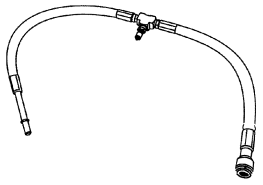
Special Service Tools

INFOID:000000011939618

A

EC

The actual shape of the tools may differ from those illustrated here.

Tool number (TechMate No.) Tool name	Description
— (J-44321) Fuel pressure gauge kit  LEC642	Checks fuel pressure
— (J-44321-6) Fuel pressure adapter  LBIA0376E	Connects fuel pressure gauge to quick connector type fuel lines

C

D

E


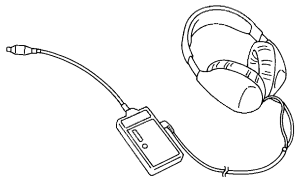
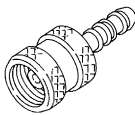
F

G

H

Commercial Service Tools

INFOID:000000011939619

Tool name (TechMate No.)	Description
Quick connector re- lease (J-45488)  PBIC0198E	Removes fuel tube quick connectors in engine room
Leak detector i.e.: (J-41416)  S-NT703	Locates the EVAP leakage
EVAP service port adapter i.e.: (J-41413-OB)  S-NT704	Applies positive pressure through EVAP service port

I

J

K

L

M

N

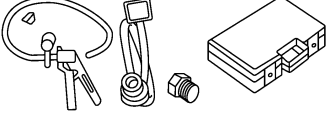
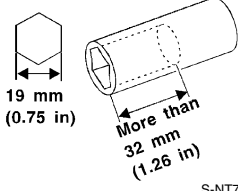
O

P

PREPARATION

[VQ35DE]

< PREPARATION >

Tool name (TechMate No.)	Description
<p data-bbox="162 226 381 279">Fuel filler cap adapter i.e.: (J-42909)</p>  <p data-bbox="727 445 815 457">ALBIA1353ZZ</p>	<p data-bbox="966 226 1421 279">Checks fuel tank vacuum relief valve opening pressure</p>
<p data-bbox="162 478 316 531">Socket wrench (—)</p>  <p data-bbox="730 697 787 709">S-NT705</p>	<p data-bbox="966 478 1453 531">Removes and installs engine coolant temperature sensor. Refer to CO-25. "Exploded View".</p>

COMPONENT PARTS

< SYSTEM DESCRIPTION >

[VQ35DE]

SYSTEM DESCRIPTION

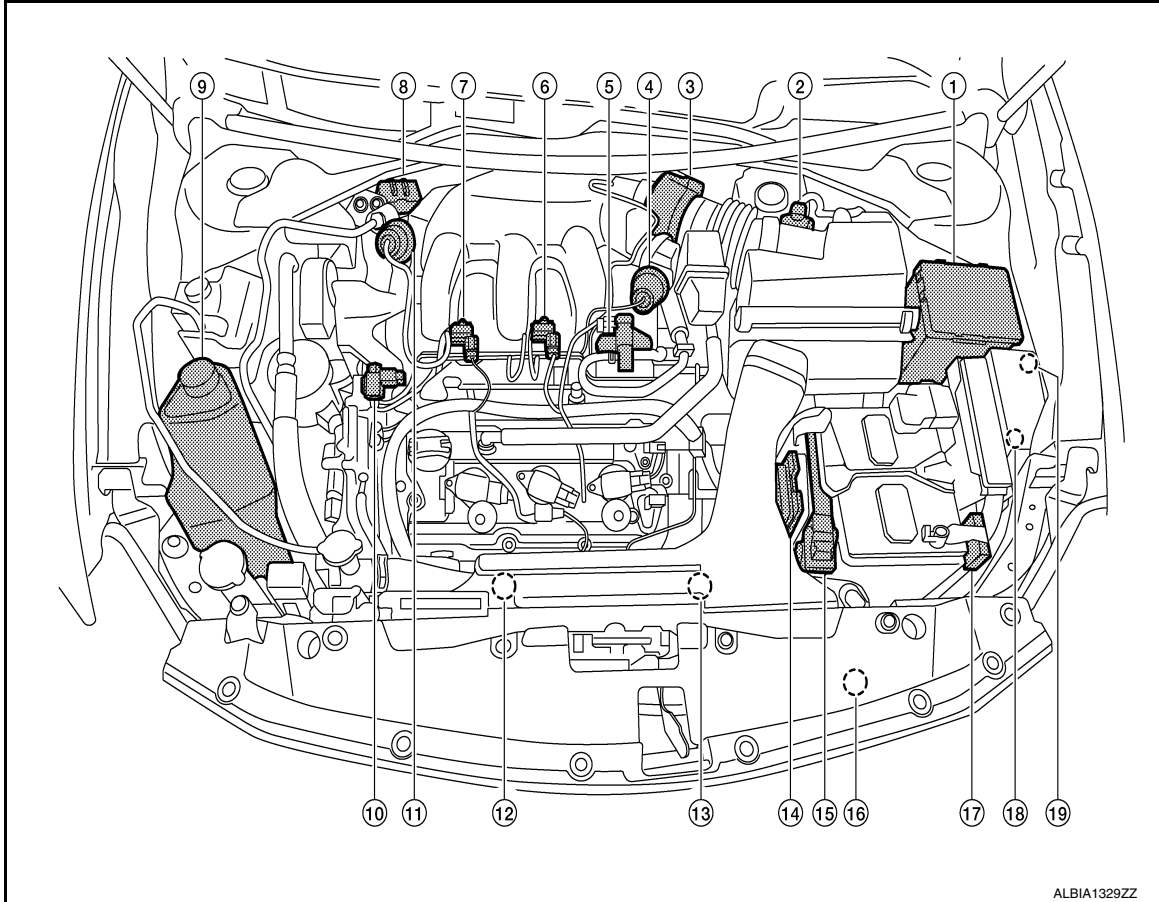
COMPONENT PARTS

ENGINE CONTROL SYSTEM

ENGINE CONTROL SYSTEM : Component Parts Location

INFOID:000000011939620

ENGINE ROOM



No.	Component	Function
①	IPDM E/R	<ul style="list-style-type: none"> IPDM E/R control the internal relays and the actuators. Refer to PCS-7. "RELAY CONTROL SYSTEM : System Description". When CAN communication with ECM is impossible, IPDM E/R performs fail-safe control. Refer to PCS-20. "Fail Safe".
②	Mass air flow sensor (with intake air temperature sensor)	EC-29. "Mass Air Flow Sensor (With Intake Air Temperature Sensor)"
③	Electric throttle control actuator	EC-23. "Electric Throttle Control Actuator"
④	Power valve actuator 2	EC-30. "Power Valve Actuator 1 and 2"
⑤	EVAP canister purge volume control solenoid valve	EC-25. "EVAP Canister Purge Volume Control Solenoid Valve"
⑥	VIAS control solenoid valve 2	EC-30. "VIAS Control Solenoid Valve 1 and 2"
⑦	VIAS control solenoid valve 1	EC-30. "VIAS Control Solenoid Valve 1 and 2"
⑧	ABS actuator and electric unit (control unit)	<p>Mainly transmits the following signal to ECM via CAN communication.</p> <ul style="list-style-type: none"> VDC operation signal TCS operation signal <p>Refer to BRC-10. "Component Parts Location" (without ICC), BRC-178. "Component Parts Location" (with ICC) for detailed installation location.</p>

COMPONENT PARTS

< SYSTEM DESCRIPTION >

[VQ35DE]

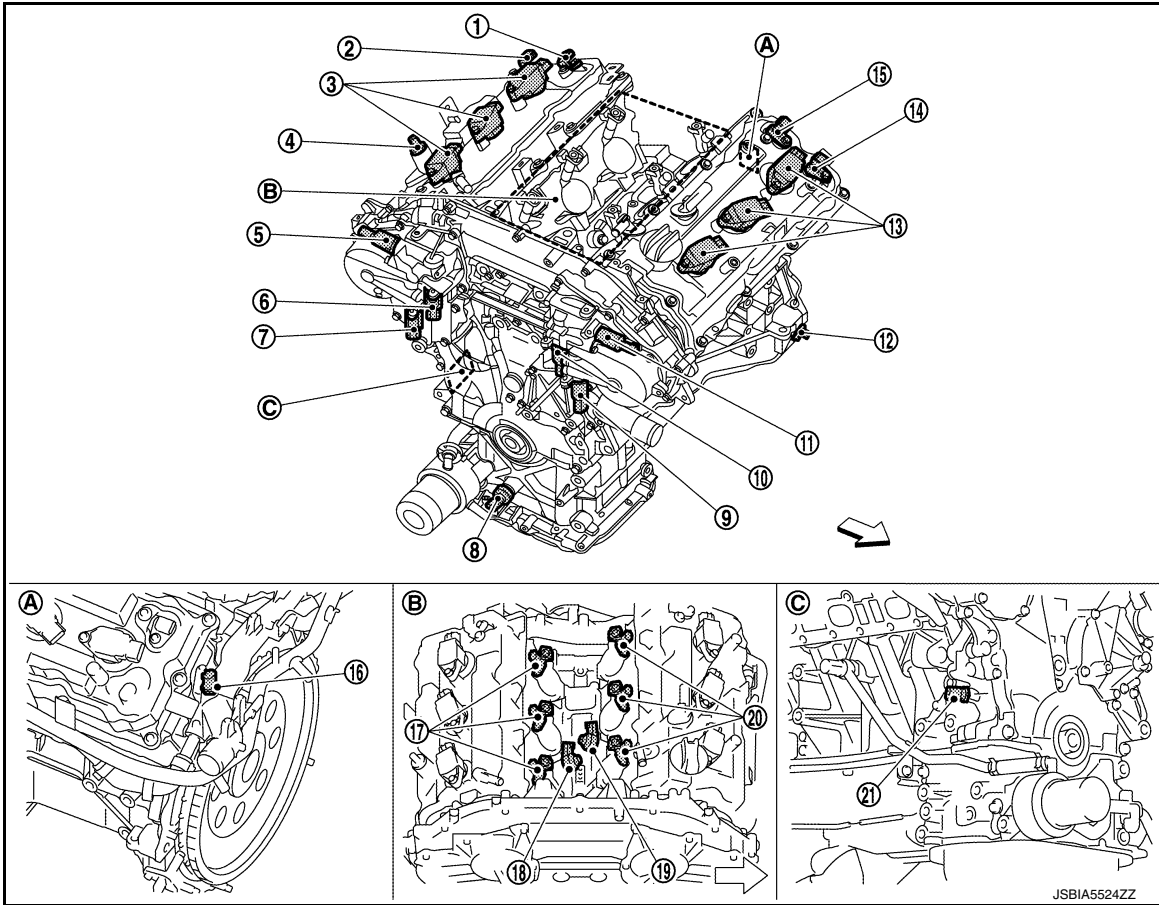
No.	Component	Function
⑨	Power steering oil pump assembly (with power steering control module)	Mainly transmits the following signal to ECM via CAN communication. <ul style="list-style-type: none"> • EPS operation signal Refer to STC-4, "Component Parts Location" for detailed installation location.
⑩	Electronic controlled engine mount control solenoid valve	EC-23, "Electronic Controlled Engine Mount"
⑪	Power valve actuator 1	EC-30, "Power Valve Actuator 1 and 2"
⑫	Cooling fan motor-2	EC-22, "Cooling Fan Motor"
⑬	Cooling fan motor-1	EC-22, "Cooling Fan Motor"
⑭	TCM	Mainly transmits the following signal to ECM via CAN communication. <ul style="list-style-type: none"> • Self diagnosis signal • Shift position signal • Output shaft revolution signal • Drive mode signal Refer to TM-12, "CVT CONTROL SYSTEM : Component Parts Location" for detailed installation location.
⑮	ECM	EC-22, "ECM"
⑯	Refrigerant pressure sensor	EC-30, "Refrigerant Pressure Sensor" Refer to HAC-9, "Component Parts Location" for detailed installation location.
⑰	Battery current sensor (with battery temperature sensor)	EC-21, "Battery Current Sensor (With Battery Temperature Sensor)"
⑱	Cooling fan relay-2	—
⑲	Cooling fan relay-3	

ENGINE

COMPONENT PARTS

< SYSTEM DESCRIPTION >

[VQ35DE]



A
EC
C
D
E
F
G
H
I
J

K
L
M
N
O
P

- Ⓐ Engine rear upper-left
- Ⓑ Engine top center
- Ⓒ Engine front lower-right
- ↔ : Vehicle front

No.	Component	Function
①	Camshaft position sensor (PHASE) (bank 1)	EC-21. "Camshaft Position Sensor (PHASE)"
②	Exhaust valve timing control position sensor (bank 1)	EC-28. "Exhaust Valve Timing Control Position Sensor"
③	Ignition coil (with power transistor) (bank 1)	EC-27. "Ignition Coil (With Power Transistor)"
④	PCV valve	EC-31. "Positive Crankcase Ventilation (PCV)"
⑤	Intake valve timing intermediate lock control solenoid valve (bank 1)	EC-28. "Intake Valve Timing Intermediate Lock Control Solenoid Valve"
⑥	Intake valve timing control solenoid valve (bank 1)	EC-27. "Intake Valve Timing Control Solenoid Valve"
⑦	Exhaust valve timing control solenoid valve (bank 1)	EC-28. "Exhaust Valve Timing Control Solenoid Valve"
⑧	Engine oil pressure sensor	EC-24. "Engine Oil Pressure Sensor"
⑨	Exhaust valve timing control solenoid valve (bank 2)	EC-28. "Exhaust Valve Timing Control Solenoid Valve"
⑩	Intake valve timing control solenoid valve (bank 2)	EC-27. "Intake Valve Timing Control Solenoid Valve"
⑪	Intake valve timing intermediate lock control solenoid valve (bank 2)	EC-28. "Intake Valve Timing Intermediate Lock Control Solenoid Valve"
⑫	Crankshaft position sensor (POS)	EC-22. "Crankshaft Position Sensor (POS)"
⑬	Ignition coil (with power transistor) (bank 2)	EC-27. "Ignition Coil (With Power Transistor)"
⑭	Exhaust valve timing control position sensor (bank 2)	EC-28. "Exhaust Valve Timing Control Position Sensor"
⑮	Camshaft position sensor (PHASE) (bank 2)	EC-21. "Camshaft Position Sensor (PHASE)"

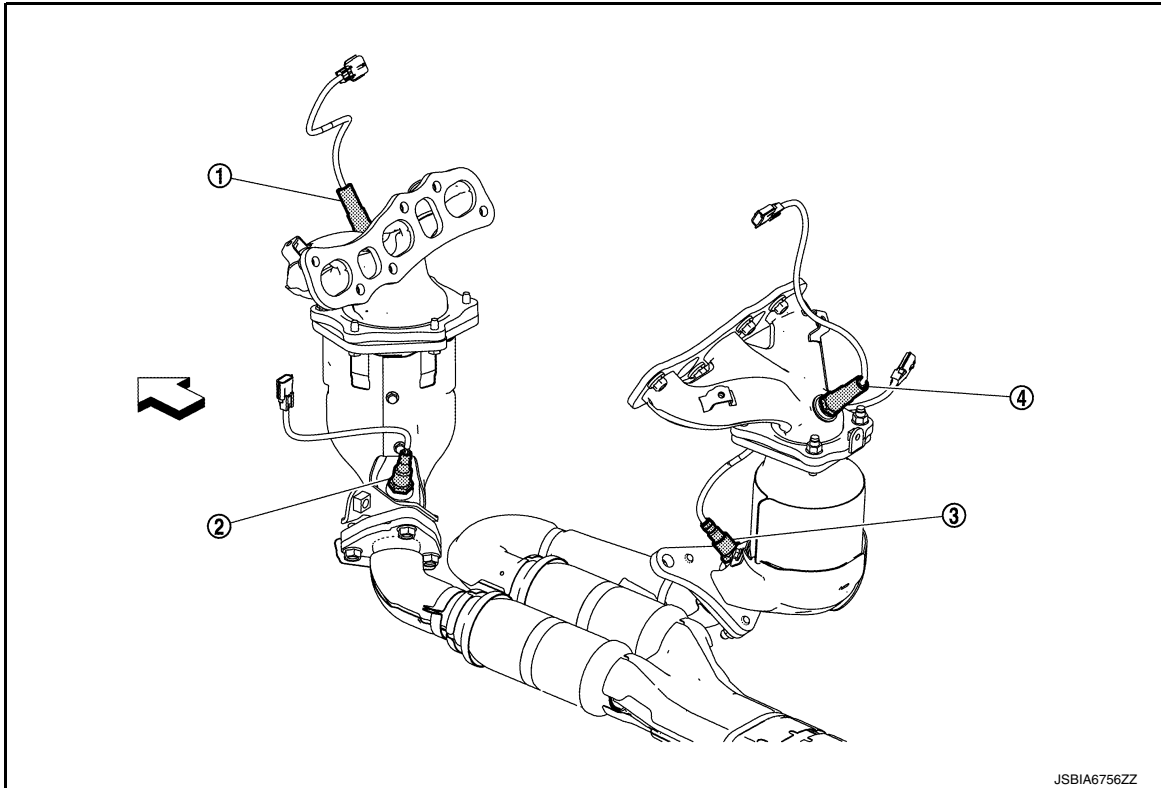
COMPONENT PARTS

[VQ35DE]

< SYSTEM DESCRIPTION >

No.	Component	Function
⑯	Engine coolant temperature sensor	EC-24. "Engine Coolant Temperature Sensor"
⑰	Fuel injector (bank 1)	EC-26. "Fuel Injector"
⑱	Knock sensor (bank 1)	EC-28. "Knock Sensor"
⑲	Knock sensor (bank 2)	EC-28. "Knock Sensor"
⑳	Fuel injector (bank 2)	EC-26. "Fuel Injector"
㉑	Engine oil temperature sensor	EC-24. "Engine Oil Temperature Sensor"

EXHAUST



↔ : Vehicle front

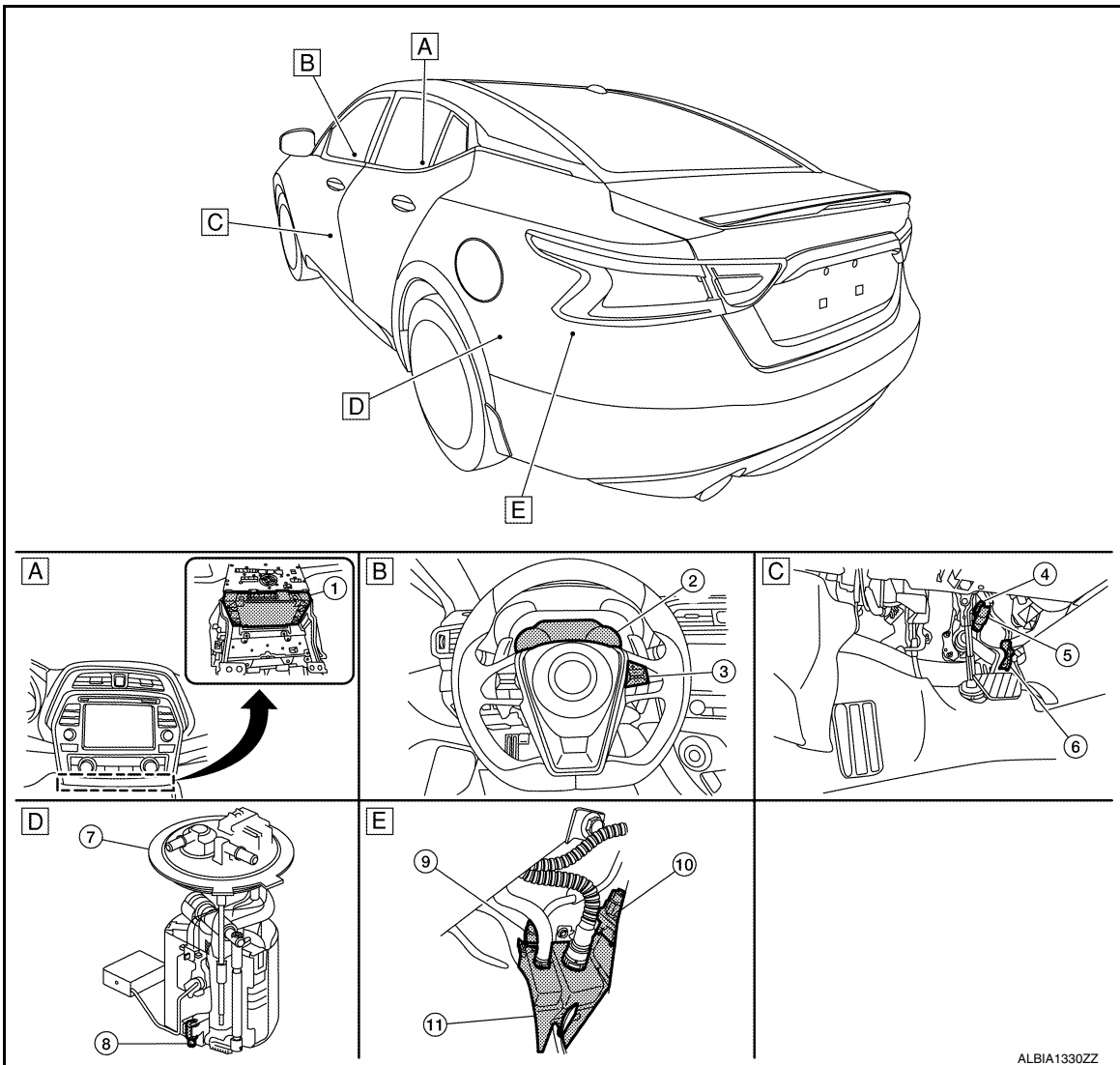
No.	Component	Function
①	Air fuel ratio (A/F) sensor 1 (bank 2)	EC-20. "Air Fuel Ratio (A/F) Sensor 1"
②	Heated oxygen sensor 2 (bank 2)	EC-26. "Heated Oxygen Sensor 2"
③	Heated oxygen sensor 2 (bank 1)	EC-26. "Heated Oxygen Sensor 2"
④	Air fuel ratio (A/F) sensor 1 (bank 1)	EC-20. "Air Fuel Ratio (A/F) Sensor 1"

BODY

COMPONENT PARTS

< SYSTEM DESCRIPTION >

[VQ35DE]



- A** Center stack
- B** Steering column area
- C** Pedal periphery
- D** Inside fuel tank
- E** Rear of fuel tank area

No.	Component	Function
①	AC auto amp	<p>Mainly transmits the following signal to ECM via CAN communication.</p> <ul style="list-style-type: none"> • A/C ON signal • Blower fan ON signal <p>Refer to HAC-9, "Component Parts Location" for detailed installation location.</p>
②	Combination meter	<p>Mainly transmits the following signal to ECM via CAN communication.</p> <ul style="list-style-type: none"> • Vehicle speed signal • Fuel lever sensor signal • Fuel filler cap warning reset signal <p>Mainly receives the following signal from ECM via CAN communication.</p> <ul style="list-style-type: none"> • Malfunction indicator lamp signal • Engine oil pressure warning signal • Fuel filler cap warning display signal • ASCD status signal <p>Refer to MWI-5, "METER SYSTEM : Component Parts Location" for detailed installation location.</p>

COMPONENT PARTS

[VQ35DE]

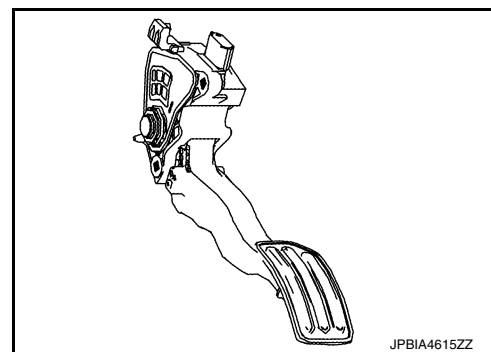
< SYSTEM DESCRIPTION >

No.	Component	Function
③	ASCD steering switch	EC-21, "ASCD Steering Switch"
④	Stop lamp switch	EC-30, "Stop Lamp Switch & Brake Pedal Position Switch"
⑤	Brake pedal position switch	EC-30, "Stop Lamp Switch & Brake Pedal Position Switch"
⑥	Accelerator pedal position sensor	EC-20, "Accelerator Pedal Position Sensor"
⑦	Fuel level sensor unit and fuel pump (with fuel tank temperature sensor)	EC-26, "Fuel Level Sensor Unit and Fuel Pump (With Fuel Tank Temperature Sensor)"
⑧	Fuel tank temperature sensor	Refer to FL-5, "Exploded View" for detailed installation location.
⑨	EVAP control system pressure sensor	EC-25, "EVAP Control System Pressure Sensor"
⑩	EVAP canister vent control valve	EC-25, "EVAP Canister Vent Control Valve"
⑪	EVAP canister	EC-25, "EVAP Canister"

Accelerator Pedal Position Sensor

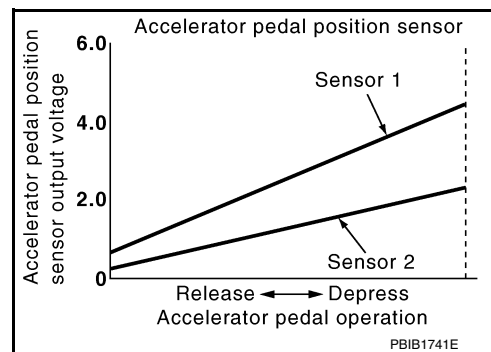
INFOID:000000011939621

The accelerator pedal position sensor is installed on the upper end of the accelerator pedal assembly. The sensor detects the accelerator position and sends a signal to the ECM.



Accelerator pedal position sensor has two sensors. These sensors are a kind of potentiometers which transform the accelerator pedal position into output voltage, and emit the voltage signal to the ECM. In addition, these sensors detect the opening and closing speed of the accelerator pedal and feed the voltage signals to the ECM. The ECM judges the current opening angle of the accelerator pedal from these signals and controls the throttle control motor based on these signals.

Idle position of the accelerator pedal is determined by the ECM receiving the signal from the accelerator pedal position sensor. The ECM uses this signal for the engine operation such as fuel cut.



Air Fuel Ratio (A/F) Sensor 1

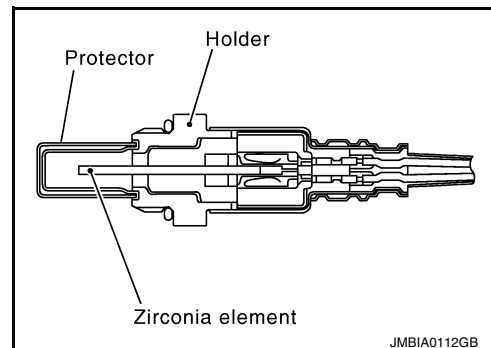
INFOID:000000011939622

DESCRIPTION

The air fuel ratio (A/F) sensor 1 is a planar one-cell limit current sensor. The sensor element of the A/F sensor 1 is composed an electrode layer, which transports ions. It has a heater in the element.

The sensor is capable of precise measurement $\lambda = 1$, but also in the lean and rich range. Together with its control electronics, the sensor outputs a clear, continuous signal throughout a wide λ range.

The exhaust gas components diffuse through the diffusion layer at the sensor cell. An electrode layer is applied voltage, and this current relative oxygen density in lean. Also this current relative hydrocarbon density in rich.

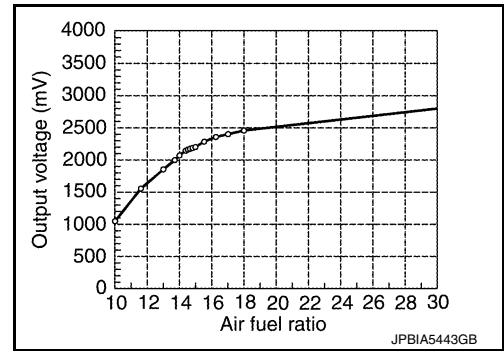


COMPONENT PARTS

[VQ35DE]

< SYSTEM DESCRIPTION >

Therefore, the A/F sensor 1 is able to indicate air fuel ratio by this electrode layer of current. In addition, a heater is integrated in the sensor to ensure the required operating temperature of approximately 800°C (1,472°F).



A/F SENSOR 1 HEATER

A/F sensor 1 heater is integrated in the sensor.

The ECM performs ON/OFF duty control of the A/F sensor 1 heater corresponding to the engine operating condition to keep the temperature of A/F sensor 1 element within the specified range.

ASCD Steering Switch

INFOID:0000000011939623

ASCD steering switch has variant values of electrical resistance for each button. ECM reads voltage variation of switch, and determines which button is operated.

Battery Current Sensor (With Battery Temperature Sensor)

INFOID:0000000011939624

BATTERY CURRENT SENSOR

The battery current sensor is installed to the battery cable at the negative terminal. The sensor measures the charging/discharging current of the battery.

BATTERY TEMPERATURE SENSOR

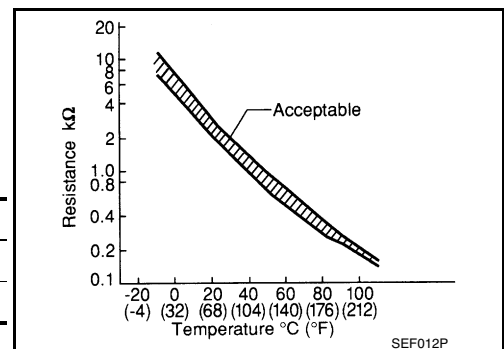
Battery temperature sensor is integrated in battery current sensor. The sensor measures temperature around the battery.

The electrical resistance of the thermistor decreases as temperature increases.

<Reference data>

Temperature [°C (°F)]	Voltage* (V)	Resistance (kΩ)
25 (77)	3.333	1.9 - 2.1
90 (194)	0.969	0.222 - 0.258

*: These data are reference values and are measured between battery temperature sensor signal terminal and sensor ground.



Camshaft Position Sensor (PHASE)

INFOID:0000000011939625

The camshaft position sensor (PHASE) senses the retraction of intake camshaft to identify a particular cylinder. The camshaft position sensor (PHASE) senses the piston position.

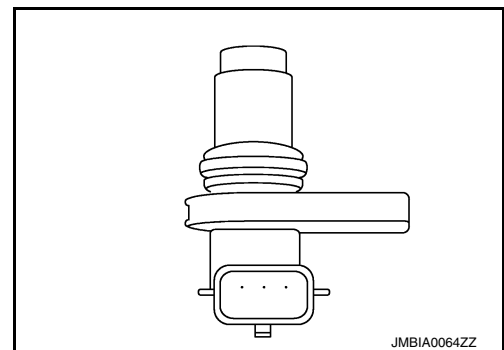
When the crankshaft position sensor (POS) system becomes inoperative, the camshaft position sensor (PHASE) provides various controls of engine parts instead, utilizing timing of cylinder identification signals.

The sensor consists of a permanent magnet and Hall IC.

When engine is running, the high and low parts of the teeth cause the gap with the sensor to change.

The changing gap causes the magnetic field near the sensor to change.

Due to the changing magnetic field, the voltage from the sensor changes.

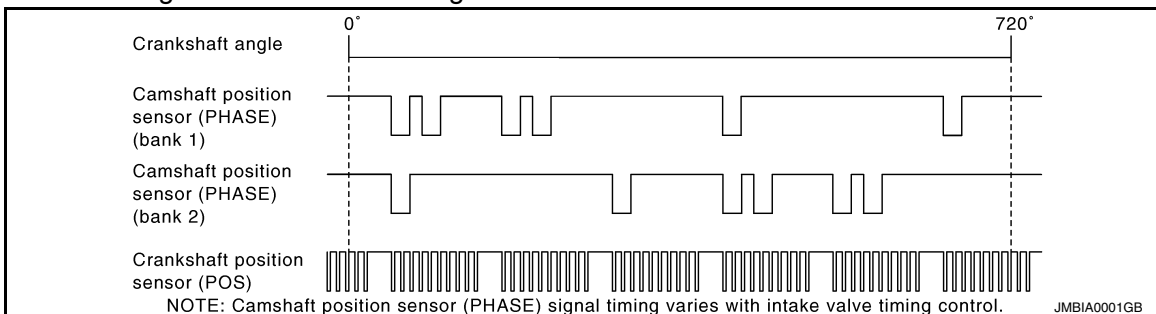


COMPONENT PARTS

< SYSTEM DESCRIPTION >

[VQ35DE]

ECM receives the signals as shown in the figure.



Cooling Fan Motor

INFOID:000000011939626

The ECM controls the cooling fan corresponding to the vehicle speed, engine coolant temperature, refrigerant pressure, and air conditioner ON signal. The control system has 4-step control [HIGH/MIDDLE/LOW/OFF]. Cooling fan operates at each speed when the current flows in the cooling fan motor. Refer to [EC-42. "COOLING FAN CONTROL : System Description"](#) for cooling fan operation.

Crankshaft Position Sensor (POS)

INFOID:000000011939627

The crankshaft position sensor (POS) is located on the oil pan facing the gear teeth (cogs) of the signal plate. It detects the fluctuation of the engine revolution.

The sensor consists of a permanent magnet and Hall IC.

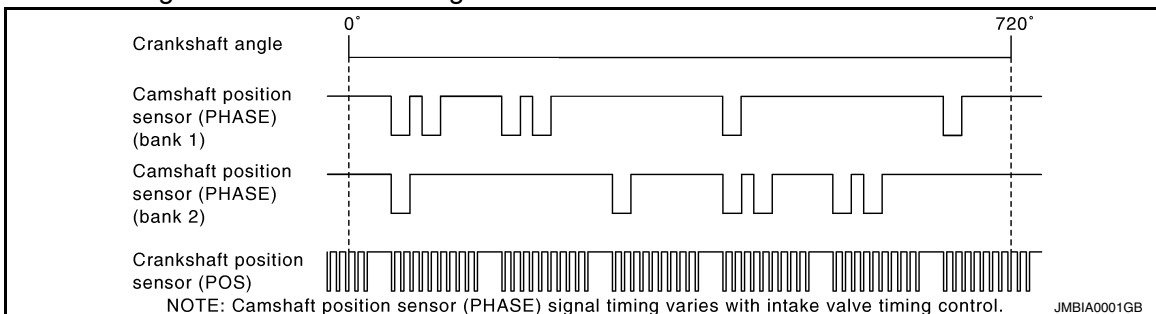
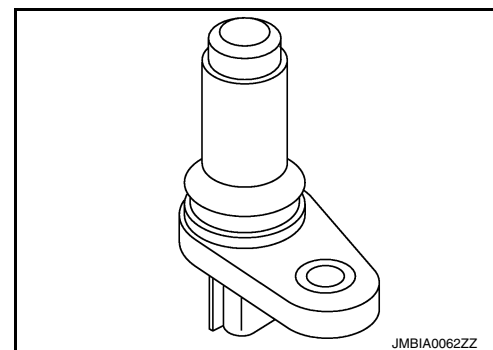
When the engine is running, the high and low parts of the teeth cause the gap with the sensor to change.

The changing gap causes the magnetic field near the sensor to change.

Due to the changing magnetic field, the voltage from the sensor changes.

The ECM receives the voltage signal and detects the fluctuation of the engine revolution.

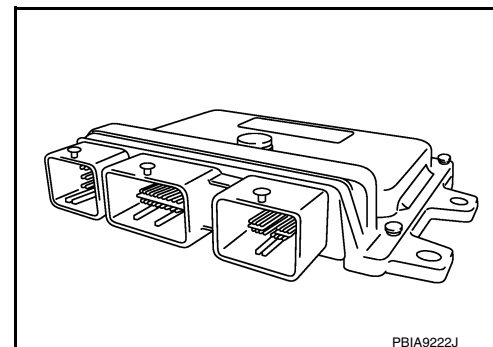
ECM receives the signals as shown in the figure.



ECM

INFOID:000000011939628

- ECM (Engine Control Module) controls the engine.
- ECM consists of a microcomputer and connectors for signal input and output and for power supply.
- Battery voltage is supplied to the ECM even when the ignition switch is turned OFF for the ECM memory function of the DTC memory, the air-fuel ratio feedback compensation value memory, the idle air volume learning value memory, etc.

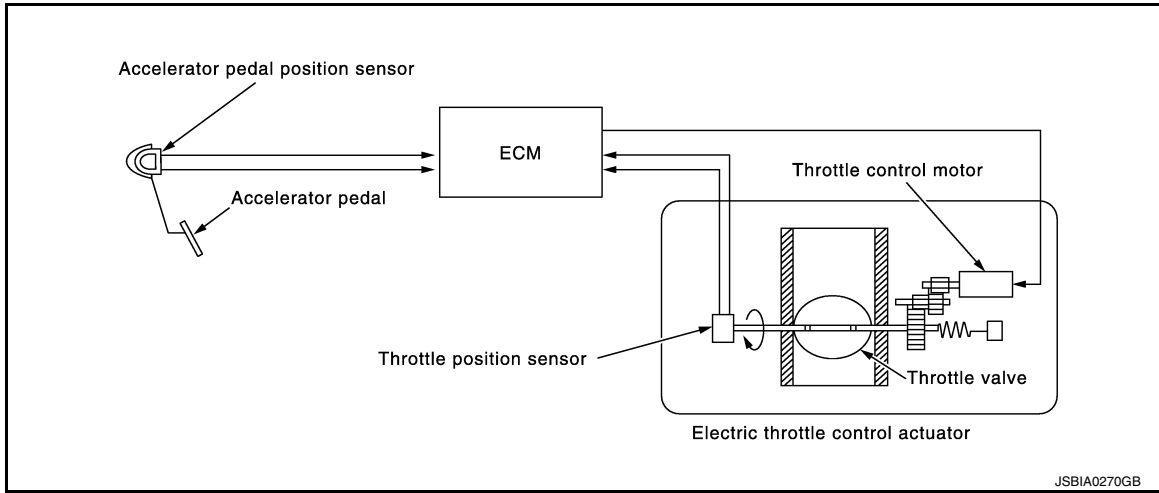


Electric Throttle Control Actuator

INFOID:000000011939629

OUTLINE

Electric throttle control actuator consists of throttle body, throttle valve, throttle control motor and throttle position sensor.

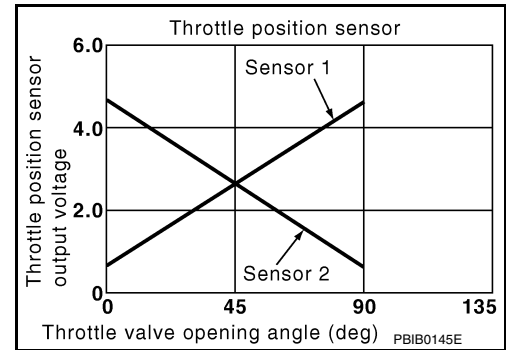


THROTTLE CONTROL MOTOR

The throttle control motor is operated by the ECM and it opens and closes the throttle valve. The current opening angle of the throttle valve is detected by the throttle position sensor and it provides feedback to the ECM to control the throttle control motor to make the throttle valve opening angle properly in response to driving condition.

THROTTLE POSITION SENSOR

The throttle position sensor responds to the throttle valve movement. The throttle position sensor has two sensors. These sensors are a kind of potentiometers which transform the throttle valve position into output voltage, and emit the voltage signal to the ECM. In addition, these sensors detect the opening and closing speed of the throttle valve and feed the voltage signals to the ECM. The ECM judges the current opening angle of the throttle valve from these signals and the ECM controls the throttle control motor to make the throttle valve opening angle properly in response to driving condition.



Electronic Controlled Engine Mount

INFOID:000000011939630

In the idle range, ECM turns OFF the electronically-controlled engine mount control solenoid valve and applies manifold pressure to the electronically-controlled engine mount. This decreases damping force of the electronically-controlled engine mount and absorbs vibrations traveling from the engine to the body for improving the quietness.

In the driving range, ECM turns ON the electronically-controlled engine mount control solenoid valve and cuts manifold pressure applied on the electronically-controlled engine mount. This increases damping force of the electronically-controlled engine mount and reduces vibrations generated during driving.

COMPONENT PARTS

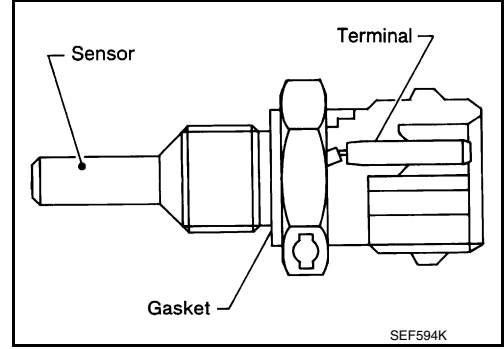
< SYSTEM DESCRIPTION >

[VQ35DE]

Engine Coolant Temperature Sensor

INFOID:000000011939631

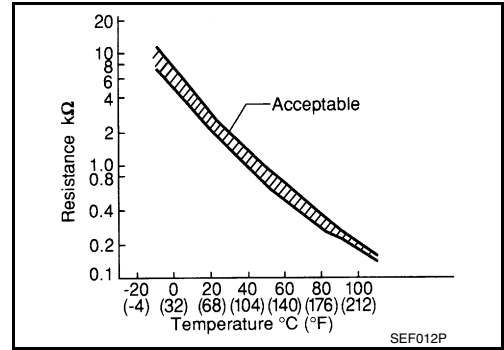
The engine coolant temperature sensor is used to detect the engine coolant temperature. The sensor modifies a voltage signal from the ECM. The modified signal returns to the ECM as the engine coolant temperature input. The sensor uses a thermistor which is sensitive to the change in temperature. The electrical resistance of the thermistor decreases as temperature increases.



<Reference data>

Engine coolant temperature [°C (°F)]	Voltage* (V)	Resistance (kΩ)
-10 (14)	4.4	7.0 - 11.4
20 (68)	3.5	2.37 - 2.63
50 (122)	2.2	0.68 - 1.00
90 (194)	0.9	0.236 - 0.260

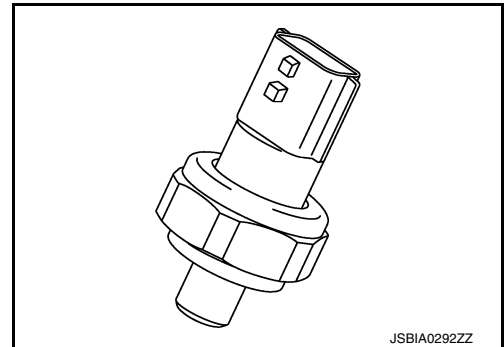
*: These data are reference values and are measured between ECM terminals.



Engine Oil Pressure Sensor

INFOID:000000011939632

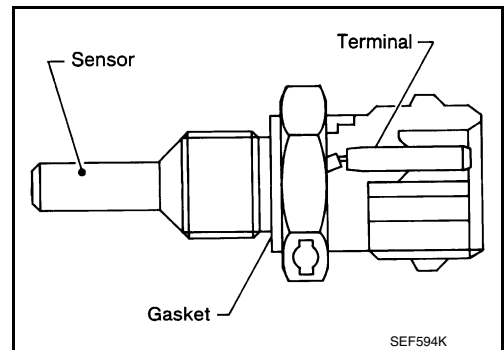
The engine oil pressure (EOP) sensor is detects engine oil pressure and transmits a voltage signal to the ECM.



Engine Oil Temperature Sensor

INFOID:000000011939633

The engine oil temperature sensor is used to detect the engine oil temperature. The sensor modifies a voltage signal from the ECM. The modified signal returns to the ECM as the engine oil temperature input. The sensor uses a thermistor which is sensitive to the change in temperature. The electrical resistance of the thermistor decreases as temperature increases.



COMPONENT PARTS

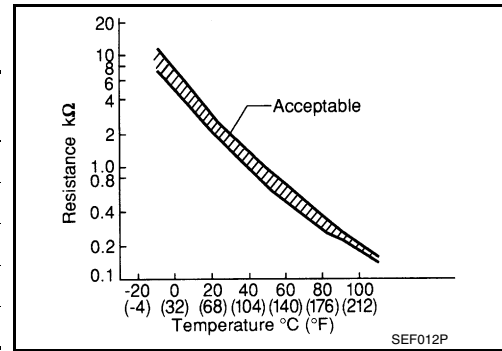
< SYSTEM DESCRIPTION >

[VQ35DE]

<Reference data>

Engine oil temperature [°C (°F)]	Voltage* (V)	Resistance (kΩ)
-10 (14)	4.4	7.0 - 11.4
20 (68)	3.5	2.37 - 2.63
50 (122)	2.2	0.68 - 1.00
90 (194)	0.9	0.236 - 0.260
110 (230)	0.6	0.143 - 0.153

*: These data are reference values and are measured between ECM terminals.



EVAP Canister

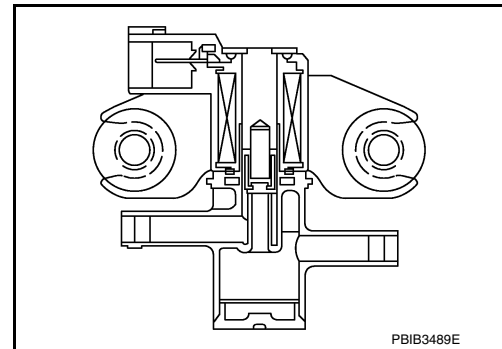
INFOID:0000000011939634

The fuel vapor in the sealed fuel tank is led into the EVAP canister which contains activated carbon and the vapor is stored there when the engine is not operating or when refueling to the fuel tank. For details, refer to [EC-46. "EVAPORATIVE EMISSION SYSTEM : System Description"](#).

EVAP Canister Purge Volume Control Solenoid Valve

INFOID:0000000011939635

The EVAP canister purge volume control solenoid valve is used to control the flow rate of fuel vapor from the EVAP canister. The EVAP canister purge volume control solenoid valve is moved by ON/OFF pulses from the ECM. The longer the ON pulse, the greater the amount of fuel vapor that will flow through the valve.



EVAP Canister Vent Control Valve

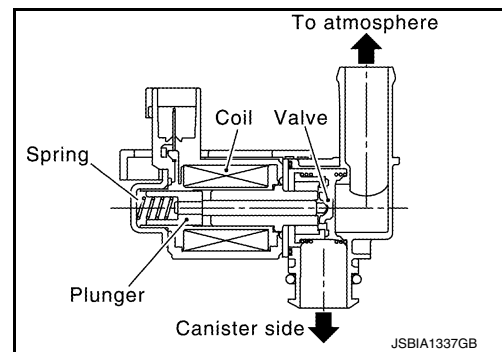
INFOID:0000000011939636

The EVAP canister vent control valve is located on the EVAP canister and is used to seal the canister vent.

This solenoid valve responds to signals from the ECM. When the ECM sends an ON signal, the coil in the solenoid valve is energized. A plunger will then move to seal the canister vent. The ability to seal the vent is necessary for the on board diagnosis of other evaporative emission control system components.

This solenoid valve is used only for diagnosis, and usually remains opened.

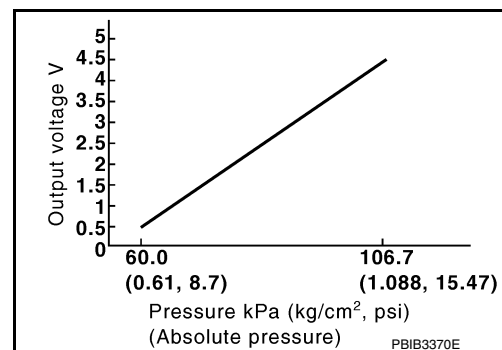
When the vent is closed, under normal purge conditions, the evaporative emission control system is depressurized and allows "EVAP Control System" diagnosis.



EVAP Control System Pressure Sensor

INFOID:0000000011939637

The EVAP control system pressure sensor detects pressure in the purge line. The sensor output voltage to the ECM increases as pressure increases.



COMPONENT PARTS

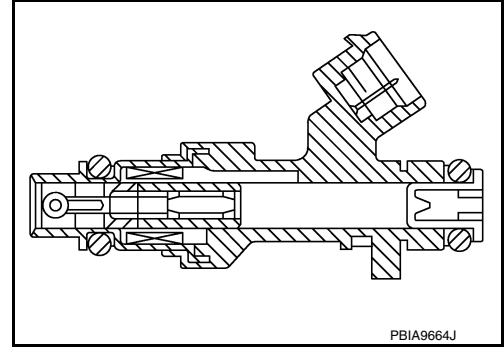
< SYSTEM DESCRIPTION >

[VQ35DE]

Fuel Injector

INFOID:000000011939638

The fuel injector is a small, precise solenoid valve. When the ECM supplies a ground to the fuel injector circuit, the coil in the fuel injector is energized. The energized coil pulls the ball valve back and allows fuel to flow through the fuel injector into the intake manifold. The amount of fuel injected depends upon the injection pulse duration. Pulse duration is the length of time the fuel injector remains open. The ECM controls the injection pulse duration based on engine fuel needs.



Fuel Level Sensor Unit and Fuel Pump (With Fuel Tank Temperature Sensor)

INFOID:000000011939639

FUEL PUMP

The ECM activates the fuel pump for 1 second after the ignition switch is turned ON to improve engine start ability. If the ECM receives an engine speed signal from the camshaft position sensor (PHASE), it knows that the engine is rotating, and causes the pump to operate. If the engine speed signal is not received when the ignition switch is ON, the engine stalls. The ECM stops pump operation and prevents battery discharging, thereby improving safety. The ECM does not directly drive the fuel pump. It sends the control signal to the fuel pump control module, which in turn controls the fuel pump.

Condition	Fuel pump operation
Ignition switch is turned to ON.	Operates for 1 second.
Engine running and cranking	Operates.
When engine is stopped	Stops in 1.5 seconds.
Except as shown above	Stops.

FUEL LEVEL SENSOR

The fuel level sensor is mounted in the fuel level sensor unit.

The sensor detects a fuel level in the fuel tank and transmits a signal to the combination meter. The combination meter sends the fuel level sensor signal to the ECM via the CAN communication line.

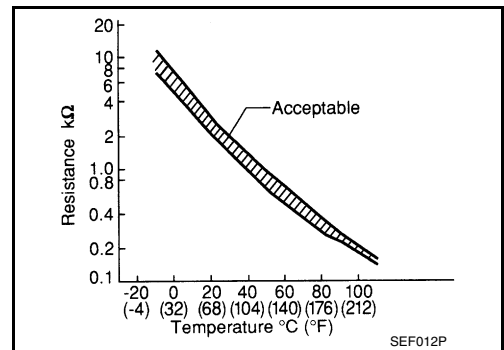
It consists of two parts, one is mechanical float and the other is variable resistor. Fuel level sensor output voltage changes depending on the movement of the fuel mechanical float.

FUEL TANK TEMPERATURE SENSOR

The fuel tank temperature sensor is used to detect the fuel temperature inside the fuel tank. The sensor modifies a voltage signal from the ECM. The modified signal returns to the ECM as the fuel temperature input. The sensor uses a thermistor which is sensitive to the change in temperature. The electrical resistance of the thermistor decreases as temperature increases.

<Reference data>

Fluid temperature [°C (°F)]	Voltage* (V)	Resistance (kΩ)
20 (68)	3.5	2.3 - 2.7
50 (122)	2.2	0.79 - 0.90



*: These data are reference values and are measured between ECM terminals 95 (Fuel tank temperature sensor) and ground.

Heated Oxygen Sensor 2

INFOID:000000011939641

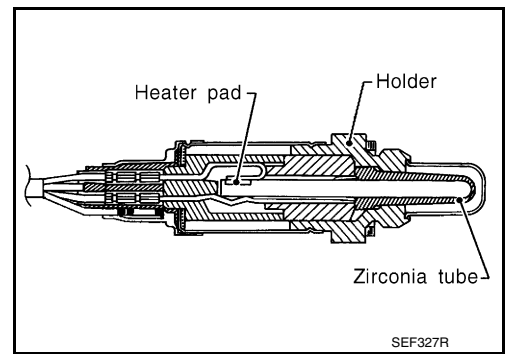
DESCRIPTION

COMPONENT PARTS

[VQ35DE]

< SYSTEM DESCRIPTION >

The heated oxygen sensor 2, after three way catalyst (manifold), monitors the oxygen level in the exhaust gas. Even if switching characteristics of the air fuel ratio (A/F) sensor 1 are shifted, the air fuel ratio is controlled to stoichiometric, by the signal from the heated oxygen sensor 2. This sensor is made of ceramic zirconia. The zirconia generates voltage from approximately 1 V in richer conditions to 0 V in leaner conditions. Under normal conditions the heated oxygen sensor 2 is not used for engine control operation.



HEATED OXYGEN SENSOR 2 HEATER

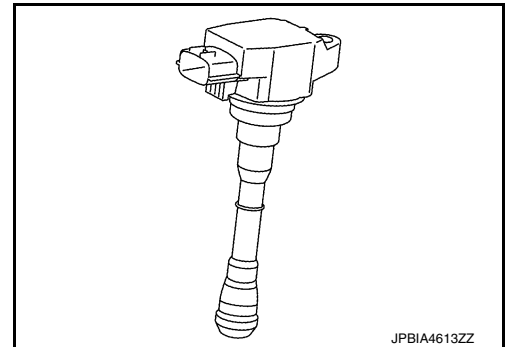
Heated oxygen sensor 2 heater is integrated in the sensor. The ECM performs ON/OFF control of the heated oxygen sensor 2 heater corresponding to the engine speed, amount of intake air and engine coolant temperature.

Engine speed	Heated oxygen sensor 2 heater
Above 3,600 rpm	OFF
Below 3,600 rpm after the following conditions are met. <ul style="list-style-type: none"> • Engine: After warming up • Keeping the engine speed between 3,500 and 4,000 rpm for 1 minute and at idle for 1 minute under no load 	ON

Ignition Coil (With Power Transistor)

INFOID:000000011939642

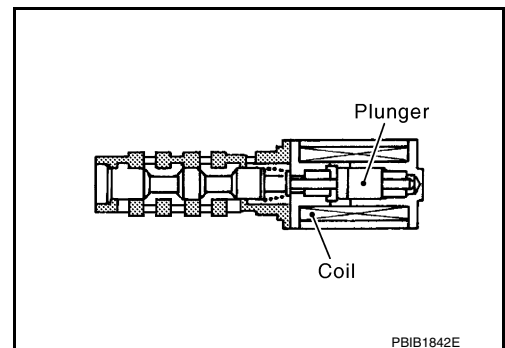
The ignition signal from the ECM is sent to and amplified by the power transistor. The power transistor turns ON and OFF the ignition coil primary circuit. This ON/OFF operation induces the proper high voltage in the coil secondary circuit.



Intake Valve Timing Control Solenoid Valve

INFOID:000000011939643

Intake valve timing control solenoid valve is activated by ON/OFF pulse duty (ratio) signals from the ECM. The intake valve timing control solenoid valve changes the oil amount and direction of flow through intake valve timing control unit or stops oil flow. The longer pulse width advances valve angle. The shorter pulse width retards valve angle. When ON and OFF pulse widths become equal, the solenoid valve stops oil pressure flow to fix the intake valve angle at the control position.



COMPONENT PARTS

< SYSTEM DESCRIPTION >

[VQ35DE]

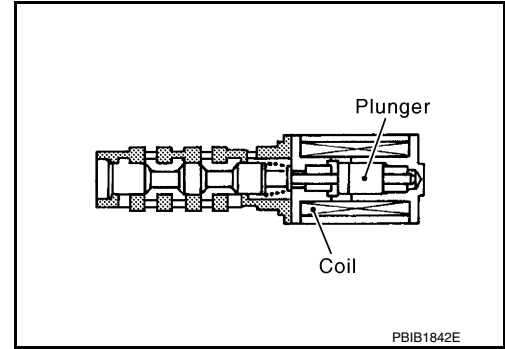
Intake Valve Timing Intermediate Lock Control Solenoid Valve

INFOID:000000011939644

Intake valve timing intermediate lock control solenoid valve is activated by ON/OFF signals from the ECM.

The intake valve timing intermediate lock control solenoid valve opens/closes the path of oil pressure acting on the lock pin in the camshaft sprocket (INT).

- When the solenoid valve becomes ON, oil pressure to the lock pin is drained to perform intermediate lock.
- When the solenoid valve becomes OFF, oil pressure is acted on the lock pin to release the intermediate lock.



Exhaust Valve Timing Control Position Sensor

INFOID:000000011939645

Exhaust valve timing control position sensor detects the protrusion of the signal plate installed to the exhaust camshaft front end.

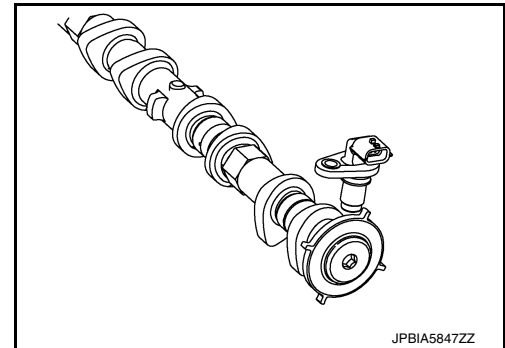
This sensor signal is used for sensing a position of the exhaust camshaft.

The sensor consists of a permanent magnet and Hall IC.

When engine is running, the high and low parts of the teeth cause the gap with the sensor to change.

The changing gap causes the magnetic field near the sensor to change.

Due to the changing magnetic field, the voltage from the sensor changes.



Exhaust Valve Timing Control Solenoid Valve

INFOID:000000011939646

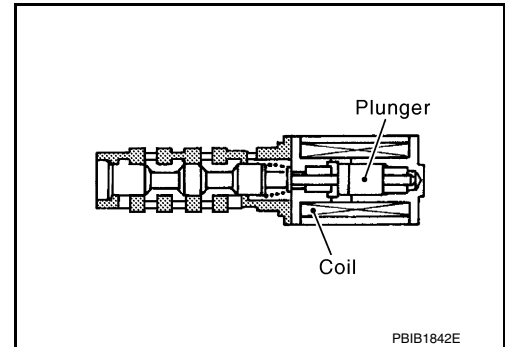
Exhaust valve timing control solenoid valve is activated by ON/OFF pulse duty (ratio) signals from the ECM.

The exhaust valve timing control solenoid valve changes the oil amount and direction of flow through exhaust valve timing control unit or stops oil flow.

The longer pulse width retards valve angle.

The shorter pulse width advances valve angle.

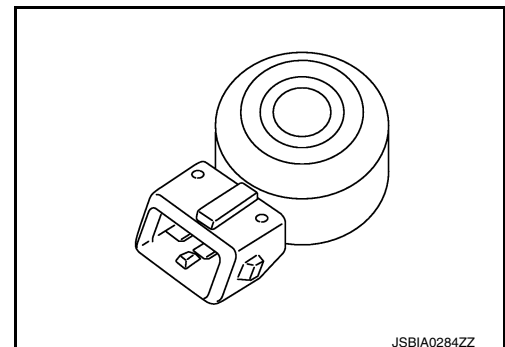
When ON and OFF pulse widths become equal, the solenoid valve stops oil pressure flow to fix the exhaust valve angle at the control position.



Knock Sensor

INFOID:000000011939647

The knock sensor is attached to the cylinder block. It senses engine knocking using a piezoelectric element. A knocking vibration from the cylinder block is sensed as vibrational pressure. This pressure is converted into a voltage signal and sent to the ECM.



Malfunction Indicator Lamp (MIL)

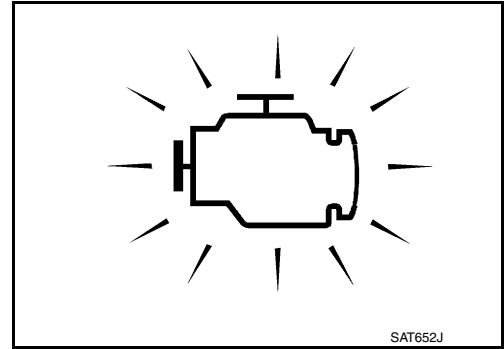
INFOID:0000000011939648

Malfunction Indicator lamp (MIL) is located on the combination meter.

MIL will illuminate when the ignition switch is turned ON without the engine running. This is a bulb check.

When the engine is started, MIL should turn OFF. If the MIL remains illuminated, the on board diagnostic system has detected an engine system malfunction.

For details, refer to [EC-70, "DIAGNOSIS DESCRIPTION : Malfunction Indicator Lamp \(MIL\)"](#).



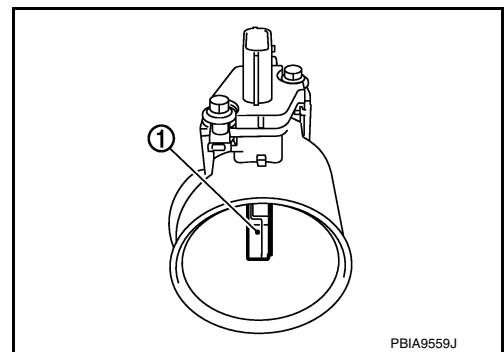
Mass Air Flow Sensor (With Intake Air Temperature Sensor)

INFOID:0000000011939649

MASS AIR FLOW SENSOR

The mass air flow sensor ① is placed in the stream of intake air. It measures the intake flow rate by measuring a part of the entire intake flow. The mass air flow sensor controls the temperature of the heater in sensing element to a certain amount.

The temperature distribution around the heater changes according to the increase in intake air volume. The change is detected by a thermistor and the air volume data is sent to ECM by the MAF sensor.



INTAKE AIR TEMPERATURE SENSOR

The intake air temperature sensor is built-into mass air flow sensor. The sensor detects intake air temperature and transmits a signal to the ECM.

The temperature sensing unit uses a thermistor which is sensitive to the change in temperature.

<Reference data>

Intake air temperature [°C (°F)]	Voltage* (V)
25 (77)	1.9 – 2.1
80 (176)	3.2 – 3.4

*: These data are reference values on the diagnosis tool.

Oil Pressure Warning Lamp

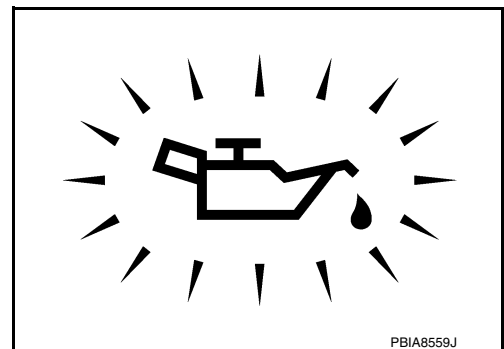
INFOID:0000000011939650

Oil pressure warning lamp is located on the combination meter.

It indicates the low pressure of the engine oil and the malfunction of the engine oil pressure system.

Combination meter turns the oil pressure warning lamp ON/OFF according to the oil pressure warning lamp signal received from ECM via CAN communication.

For details, refer to [EC-50, "ENGINE PROTECTION CONTROL AT LOW ENGINE OIL PRESSURE : System Description"](#).



COMPONENT PARTS

< SYSTEM DESCRIPTION >

[VQ35DE]

Power Valve Actuator 1 and 2

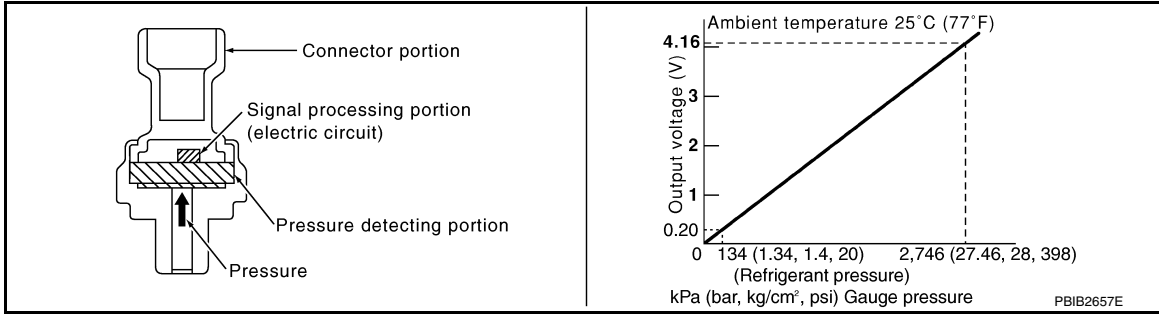
INFOID:0000000011939651

The power valves are used to control the suction passage of the variable induction air control system. They are set in the fully closed or fully opened position by the power valve actuators operated by the vacuum stored in the vacuum tank. The vacuum to power valve actuators is controlled by the VIAS control solenoid valves.

Refrigerant Pressure Sensor

INFOID:0000000011939652

The refrigerant pressure sensor is installed at the condenser of the air conditioner system. The sensor uses an electrostatic volume pressure transducer to convert refrigerant pressure to voltage. The voltage signal is sent to ECM, and ECM controls cooling fan system.



Stop Lamp Switch & Brake Pedal Position Switch

INFOID:0000000011939653

Stop lamp switch and brake pedal position switch are installed to brake pedal bracket. ECM detects the state of the brake pedal by those two types of input (ON/OFF signal).

Brake pedal	Brake pedal position switch	Stop lamp switch
Released	ON	OFF
Depressed	OFF	ON

VIAS Control Solenoid Valve 1 and 2

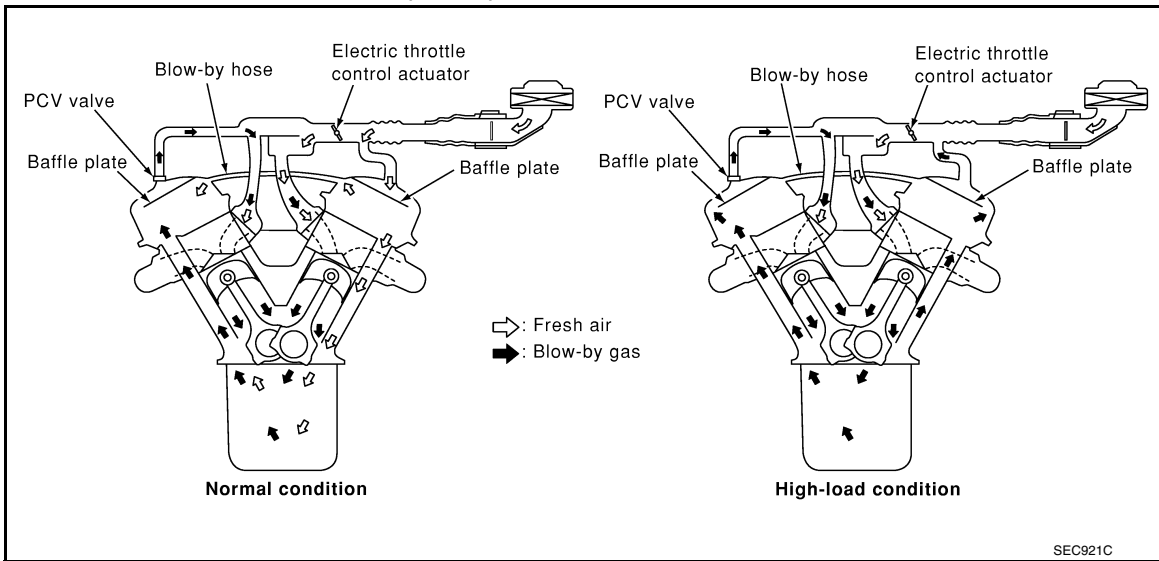
INFOID:0000000011939654

The VIAS control solenoid valve cuts the intake manifold vacuum signal for power valve control. It responds to ON/OFF signals from the ECM. When the solenoid is OFF, the vacuum signal from the intake manifold is cut. When the ECM sends an ON signal the coil pulls the plunger downward and sends the vacuum signal to the power valve actuator.

STRUCTURE AND OPERATION

Positive Crankcase Ventilation (PCV)

INFOID:000000011939655



This system returns blow-by gas to the intake manifold.

The positive crankcase ventilation (PCV) valve is provided to conduct crankcase blow-by gas to the intake manifold.

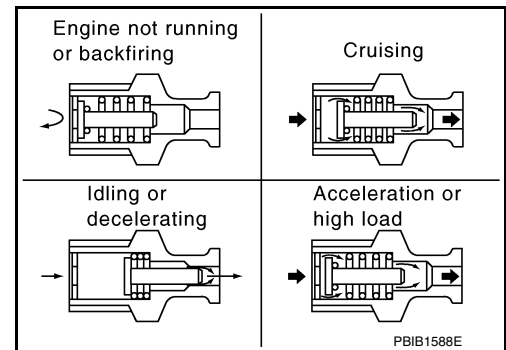
During partial throttle operation of the engine, the intake manifold sucks the blow-by gas through the PCV valve.

Normally, the capacity of the valve is sufficient to handle any blow-by and a small amount of ventilating air.

The ventilating air is drawn from the air inlet tubes into the crankcase. In this process the air passes through the hose connecting air inlet tubes to rocker cover.

Under full-throttle condition, the manifold vacuum is insufficient to draw the blow-by flow through the valve. The flow goes through the hose connection in the reverse direction.

On vehicles with an excessively high blow-by, the valve does not meet the requirement. This is because some of the flow will go through the hose connection to the air inlet tubes under all conditions.



A
EC
C
D
E
F
G
H
I
J
K
L
M
N
O
P

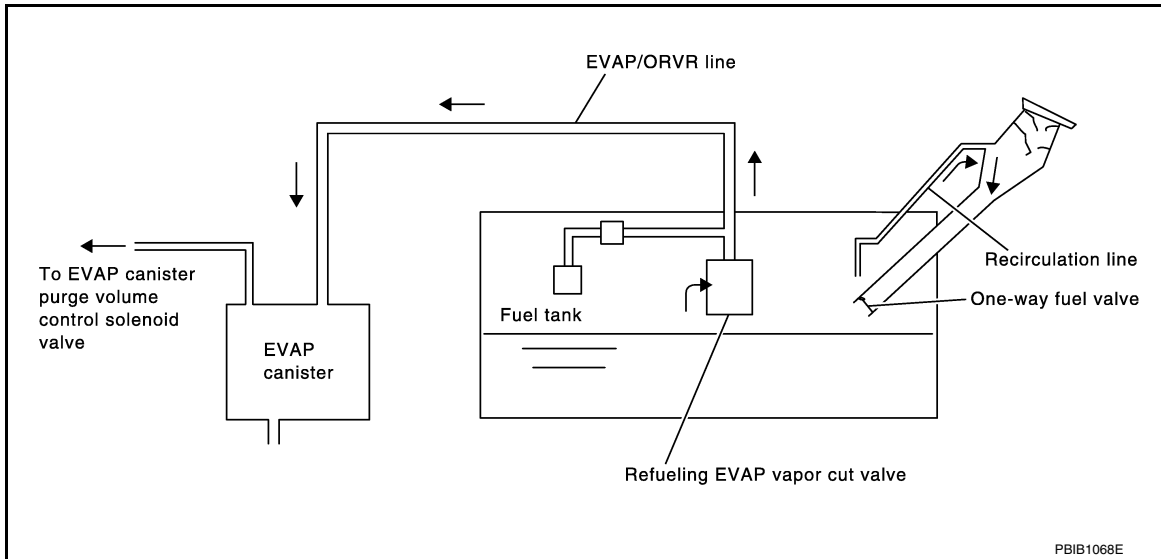
STRUCTURE AND OPERATION

< SYSTEM DESCRIPTION >

[VQ35DE]

On Board Refueling Vapor Recovery (ORVR)

INFOID:000000011939656



From the beginning of refueling, the air and vapor inside the fuel tank go through refueling EVAP vapor cut valve and EVAP/ORVR line to the EVAP canister. The vapor is absorbed by the EVAP canister and the air is released to the atmosphere.

When the refueling has reached the full level of the fuel tank, the refueling EVAP vapor cut valve is closed and refueling is stopped because of auto shut-off. The vapor which was absorbed by the EVAP canister is purged during driving.

WARNING:

When conducting inspections below, be sure to observe the following:

- Put a “CAUTION: FLAMMABLE” sign in workshop.
- Never smoke while servicing fuel system. Keep open flames and sparks away from work area.
- Always to furnish the workshop with a CO₂ fire extinguisher.

CAUTION:

- Before removing fuel line parts, carry out the following procedures:
 - Put drained fuel in an explosion-proof container and put lid on securely.
 - Release fuel pressure from fuel line. Refer to [EC-168. "Work Procedure"](#).
 - Disconnect battery ground cable.
- Always replace O-ring when the fuel gauge retainer is removed.
- Never kink or twist hose and tube when they are installed.
- Never tighten hose and clamps excessively to avoid damaging hoses.
- After installation, run engine and check for fuel leakage at connections.
- Never attempt to top off the fuel tank after the fuel pump nozzle shuts off automatically. Continued refueling may cause fuel overflow, resulting in fuel spray and possibly a fire.

SYSTEM
ENGINE CONTROL SYSTEM

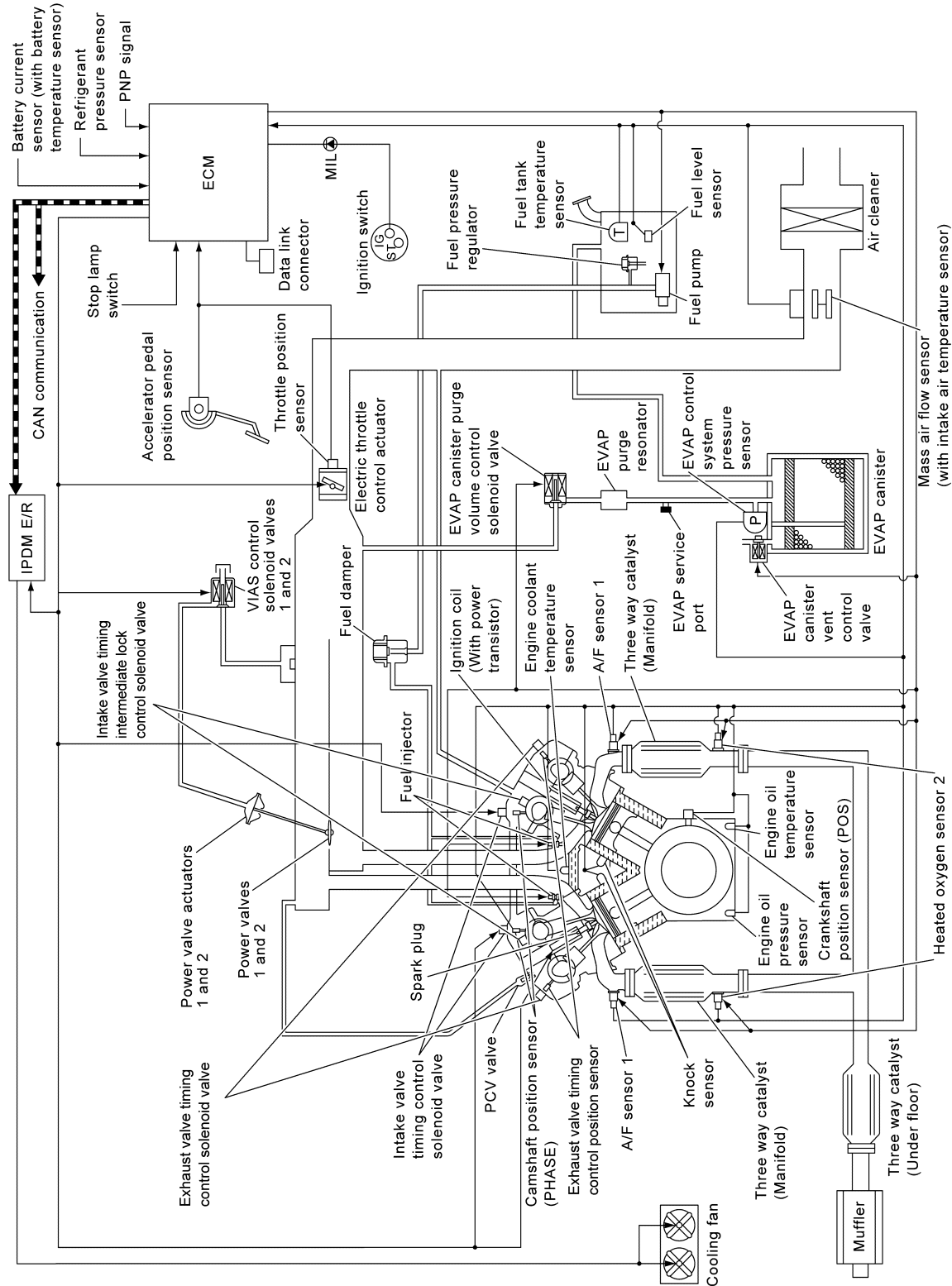
ENGINE CONTROL SYSTEM : System Description

INFOID:000000011939657

A

EC

SYSTEM DIAGRAM



JSBIA5506GB

SYSTEM DESCRIPTION

C

D

E

F

G

H

I

J

K

L

M

N

O

P

SYSTEM

[VQ35DE]

< SYSTEM DESCRIPTION >

ECM controls the engine by various functions.

Function	Reference
Multiport fuel injection system	EC-37. "MULTIPORT FUEL INJECTION SYSTEM : System Description"
Electric ignition system	EC-39. "ELECTRIC IGNITION SYSTEM : System Description"
Air conditioning cut control	EC-40. "AIR CONDITIONING CUT CONTROL : System Description"
Automatic speed control device (ASCD)	EC-41. "AUTOMATIC SPEED CONTROL DEVICE (ASCD) : System Description"
Cooling fan control	EC-42. "COOLING FAN CONTROL : System Description"
Electronic controlled engine mount	EC-43. "ELECTRONIC CONTROLLED ENGINE MOUNT : System Description"
Evaporative emission system	EC-46. "EVAPORATIVE EMISSION SYSTEM : System Description"
Throttle control	EC-47. "THROTTLE CONTROL : System Description"
Intake valve timing control	EC-47. "INTAKE VALVE TIMING CONTROL : System Description"
Exhaust valve timing control	EC-50. "EXHAUST VALVE TIMING CONTROL : System Description"
Engine protection control at low engine oil pressure	EC-50. "ENGINE PROTECTION CONTROL AT LOW ENGINE OIL PRESSURE : System Description"
Fuel filler cap warning system	EC-51. "FUEL FILLER CAP WARNING SYSTEM : System Description"
Variable induction air system	EC-52. "VARIABLE INDUCTION AIR SYSTEM : System Description"
Integrated control of engine, CVT, and ABS	EC-54. "INTEGRATED CONTROL OF ENGINE, CVT, AND ABS : System Description"
CAN communication	EC-55. "CAN COMMUNICATION : System Description"

ENGINE CONTROL SYSTEM : Fail-safe

INFOID:0000000012460677

NON DTC RELATED ITEM

Engine operating condition in fail-safe mode	Detected items	Remarks	Reference page
Engine speed will not rise more than 2,500 rpm due to the fuel cut	Malfunction indicator lamp circuit	When there is an open circuit on MIL circuit, the ECM cannot warn the driver by illuminating MIL when there is malfunction on engine control system. Therefore, when electrical controlled throttle and part of ECM related diagnoses are continuously detected as NG for 5 trips, ECM warns the driver that engine control system malfunctions and MIL circuit is open by means of operating the fail-safe function. The fail-safe function also operates when above diagnoses except MIL circuit are detected and demands the driver to repair the malfunction.	EC-561

DTC RELATED ITEM

DTC No.	Detected items	Engine operating condition in fail-safe mode
P0011 P0021	Intake valve timing control	<ul style="list-style-type: none"> • The signal is not energized to the intake valve timing control solenoid valve and the valve control does not function. • ECM activates the IVT intermediate lock control solenoid valve to bring the cam sprocket into an intermediate lock condition.
P0014 P0024	Exhaust valve timing control	The signal is not energized to the exhaust valve timing control solenoid valve and the valve control does not function.

SYSTEM

< SYSTEM DESCRIPTION >

[VQ35DE]

DTC No.	Detected items	Engine operating condition in fail-safe mode								
P0101 P0102 P0103	Mass air flow sensor circuit	Engine speed will not rise more than 2,400 rpm due to the fuel cut.								
P0117 P0118	Engine coolant temperature sensor circuit	Engine coolant temperature will be determined by ECM based on the following condition. CONSULT displays the engine coolant temperature decided by ECM.								
		<table border="1" style="width: 100%; border-collapse: collapse;"> <thead> <tr> <th style="text-align: center;">Condition</th> <th style="text-align: center;">Engine coolant temperature decided (CONSULT display)</th> </tr> </thead> <tbody> <tr> <td>Just as ignition switch is turned ON or START</td> <td style="text-align: center;">40°C (104°F)</td> </tr> <tr> <td>Approx 4 minutes or more after engine starting</td> <td style="text-align: center;">80°C (176°F)</td> </tr> <tr> <td>Except as shown above</td> <td style="text-align: center;">40 - 80°C (104 - 176°F) (Depends on the time)</td> </tr> </tbody> </table>	Condition	Engine coolant temperature decided (CONSULT display)	Just as ignition switch is turned ON or START	40°C (104°F)	Approx 4 minutes or more after engine starting	80°C (176°F)	Except as shown above	40 - 80°C (104 - 176°F) (Depends on the time)
Condition	Engine coolant temperature decided (CONSULT display)									
Just as ignition switch is turned ON or START	40°C (104°F)									
Approx 4 minutes or more after engine starting	80°C (176°F)									
Except as shown above	40 - 80°C (104 - 176°F) (Depends on the time)									
		When the fail-safe system for engine coolant temperature sensor is activated, the cooling fan operates while engine is running.								
P0122 P0123 P0222 P0223 P2135	Throttle position sensor	The ECM controls the electric throttle control actuator in regulating the throttle opening in order for the idle position to be within +10 degrees. The ECM regulates the opening speed of the throttle valve to be slower than the normal condition. Therefore, the acceleration will be poor.								
P0196 P0197 P0198	Engine oil temperature sensor	Intake valve timing control does not function.								
P0500	Vehicle speed sensor	The cooling fan operates (Highest) while engine is running.								
P0524	Engine oil pressure	<ul style="list-style-type: none"> • ECM illuminates oil pressure warning lamp on the combination meter. • Engine speed will not rise more than 4,000 rpm due to the fuel cut. • Fail-safe is canceled when ignition switch OFF → ON. 								
P052A P052B P052C P052D	Intake valve timing intermediate lock control	—								
P0603 P0607	ECM	Engine torque may be limited.								
P0604	ECM	<ul style="list-style-type: none"> • ECM stops the electric throttle control actuator control, throttle valve is maintained at a fixed opening (approx. 5 degrees) by the return spring. • The position of the following components is fixed. <ul style="list-style-type: none"> - Intake valve timing control solenoid valve - Exhaust valve timing control solenoid valve - Intake manifold runner control valve • ASCD operation may be deactivated. 								
P0605 P0606 P060B	ECM	<p>NOTE:</p> <p>Fail-safe may not occur depending on malfunction type.</p> <ul style="list-style-type: none"> • ECM stops the electric throttle control actuator control, throttle valve is maintained at a fixed opening (approx. 5 degrees) by the return spring. • The position of the following components is fixed. <ul style="list-style-type: none"> - Intake valve timing control solenoid valve - Exhaust valve timing control solenoid valve - Intake manifold runner control valve • ASCD operation may be deactivated. 								

A
EC
C
D
E
F
G
H
I
J
K
L
M
N
O
P

SYSTEM

< SYSTEM DESCRIPTION >

[VQ35DE]

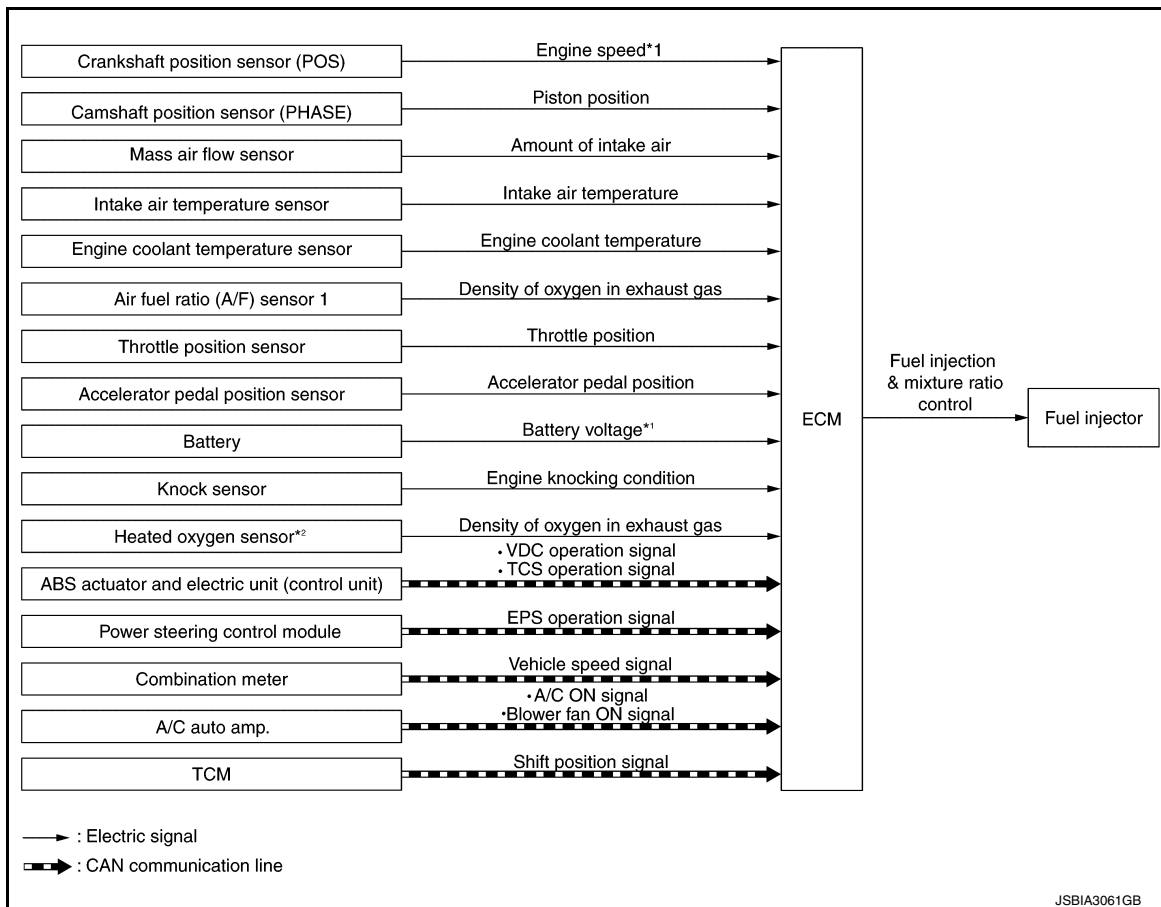
DTC No.	Detected items	Engine operating condition in fail-safe mode						
P060A	ECM	<p>NOTE: Fail-safe may not occur depending on malfunction type.</p> <ul style="list-style-type: none"> • ECM stops the electric throttle control actuator control, throttle valve is maintained at a fixed opening (approx. 5 degrees) by the return spring. • The position of the following components is fixed. <ul style="list-style-type: none"> - Intake valve timing control solenoid valve - Exhaust valve timing control solenoid valve - Intake manifold runner control valve • Engine torque may be limited. • ASCD operation may be deactivated. 						
P0643	Sensor power supply	<ul style="list-style-type: none"> • ECM stops the electric throttle control actuator control, throttle valve is maintained at a fixed opening (approx. 5 degrees) by the return spring. • The position of the following components is fixed. <ul style="list-style-type: none"> - Intake valve timing control solenoid valve - Exhaust valve timing control solenoid valve - Intake manifold runner control valve 						
P1805	Brake switch	<p>ECM controls the electric throttle control actuator by regulating the throttle opening to a small range. Therefore, acceleration will be poor.</p> <table border="1" style="width: 100%; border-collapse: collapse;"> <thead> <tr> <th style="text-align: center;">Vehicle condition</th> <th style="text-align: center;">Driving condition</th> </tr> </thead> <tbody> <tr> <td style="text-align: center;">When engine is idling</td> <td style="text-align: center;">Normal</td> </tr> <tr> <td style="text-align: center;">When accelerating</td> <td style="text-align: center;">Poor acceleration</td> </tr> </tbody> </table>	Vehicle condition	Driving condition	When engine is idling	Normal	When accelerating	Poor acceleration
Vehicle condition	Driving condition							
When engine is idling	Normal							
When accelerating	Poor acceleration							
P2100 P2103	Throttle control motor relay	ECM stops the electric throttle control actuator control, throttle valve is maintained at a fixed opening (approx. 5 degrees) by the return spring.						
P2101	Electric throttle control function	ECM stops the electric throttle control actuator control, throttle valve is maintained at a fixed opening (approx. 5 degrees) by the return spring.						
P2118	Throttle control motor	ECM stops the electric throttle control actuator control, throttle valve is maintained at a fixed opening (approx. 5 degrees) by the return spring.						
P2119	Electric throttle control actuator	<p>(When electric throttle control actuator does not function properly due to the return spring malfunction:) ECM controls the electric throttle actuator by regulating the throttle opening around the idle position. The engine speed will not rise more than 2,000 rpm.</p> <p>(When throttle valve opening angle in fail-safe mode is not in specified range:) ECM controls the electric throttle control actuator by regulating the throttle opening to 20 degrees or less.</p> <p>(When ECM detects the throttle valve is stuck open:) While the vehicle is being driven, it slows down gradually because of fuel cut. After the vehicle stops, the engine stalls. The engine can restart in the N or P position, and engine speed will not exceed 1,000 rpm or more.</p>						
P2122 P2123 P2127 P2128 P2138	Accelerator pedal position sensor	<p>The ECM controls the electric throttle control actuator in regulating the throttle opening in order for the idle position to be within +10 degrees.</p> <p>The ECM regulates the opening speed of the throttle valve to be slower than the normal condition.</p> <p>Therefore, the acceleration will be poor.</p>						

MULTIPOINT FUEL INJECTION SYSTEM

MULTIPOINT FUEL INJECTION SYSTEM : System Description

INFOID:000000011939659

SYSTEM DIAGRAM



*1: ECM determines the start signal status by the signals of engine speed and battery voltage.

*2: This sensor is not used to control the engine system under normal conditions.

SYSTEM DESCRIPTION

The amount of fuel injected from the fuel injector is determined by the ECM. The ECM controls the length of time the valve remains open (injection pulse duration). The amount of fuel injected is a program value in the ECM memory. The program value is preset by engine operating conditions. These conditions are determined by input signals (for engine speed and intake air) from the crankshaft position sensor (POS), camshaft position sensor (PHASE) and the mass air flow sensor.

VARIOUS FUEL INJECTION INCREASE/DECREASE COMPENSATION

In addition, the amount of fuel injected is compensated to improve engine performance under various operating conditions as listed below.

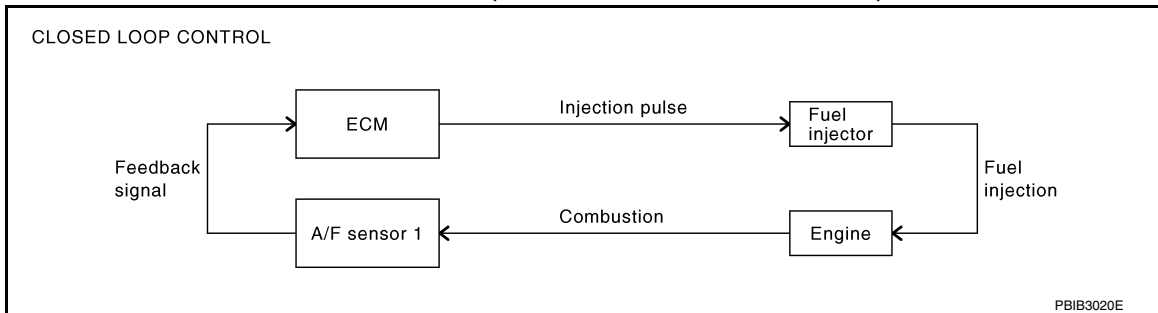
<Fuel increase>

- During warm-up
- When starting the engine
- During acceleration
- Hot-engine operation
- When selector lever position is changed from N to D
- High-load, high-speed operation

<Fuel decrease>

- During deceleration
- During high engine speed operation

MIXTURE RATIO FEEDBACK CONTROL (CLOSED LOOP CONTROL)



The mixture ratio feedback system provides the best air-fuel mixture ratio for drive ability and emission control. The three way catalyst (manifold) can better reduce CO, HC and NOx emissions. This system uses A/F sensor 1 in the exhaust manifold to monitor whether the engine operation is rich or lean. The ECM adjusts the injection pulse width according to the sensor voltage signal. For more information about A/F sensor 1, refer to [EC-20. "Air Fuel Ratio \(A/F\) Sensor 1"](#). This maintains the mixture ratio within the range of stoichiometric (ideal air-fuel mixture).

This stage is referred to as the closed loop control condition.

Heated oxygen sensor 2 is located downstream of the three way catalyst (manifold). Even if the switching characteristics of A/F sensor 1 shift, the air-fuel ratio is controlled to stoichiometric by the signal from heated oxygen sensor 2.

- Open Loop Control

The open loop system condition refers to when the ECM detects any of the following conditions. Feedback control stops in order to maintain stabilized fuel combustion.

- Deceleration and acceleration
- High-load, high-speed operation
- Malfunction of A/F sensor 1 or its circuit
- Insufficient activation of A/F sensor 1 at low engine coolant temperature
- High engine coolant temperature
- During warm-up
- After shifting from N to D
- When starting the engine

MIXTURE RATIO SELF-LEARNING CONTROL

The mixture ratio feedback control system monitors the mixture ratio signal transmitted from A/F sensor 1. This feedback signal is then sent to the ECM. The ECM controls the basic mixture ratio as close to the theoretical mixture ratio as possible. However, the basic mixture ratio is not necessarily controlled as originally designed. Both manufacturing differences (i.e., mass air flow sensor hot wire) and characteristic changes during operation (i.e., fuel injector clogging) directly affect mixture ratio.

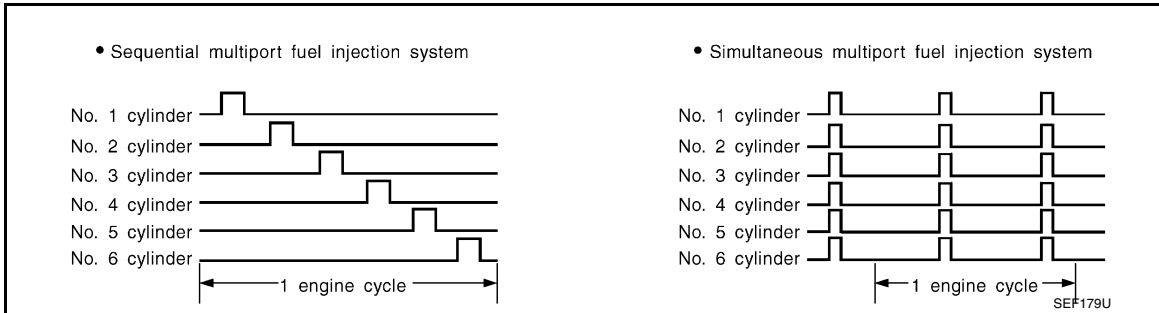
Accordingly, the difference between the basic and theoretical mixture ratios is monitored in this system. This is then computed in terms of "injection pulse duration" to automatically compensate for the difference between the two ratios.

"Fuel trim" refers to the feedback compensation value compared against the basic injection duration. Fuel trim includes "short-term fuel trim" and "long-term fuel trim".

"Short-term fuel trim" is the short-term fuel compensation used to maintain the mixture ratio at its theoretical value. The signal from A/F sensor 1 indicates whether the mixture ratio is RICH or LEAN compared to the theoretical value. The signal then triggers a reduction in fuel volume if the mixture ratio is rich, and an increase in fuel volume if it is lean.

"Long-term fuel trim" is overall fuel compensation carried out over time to compensate for continual deviation of the "short-term fuel trim" from the central value. Continual deviation will occur due to individual engine differences, wear over time and changes in the usage environment.

FUEL INJECTION TIMING



Two types of systems are used.

- **Sequential Multiport Fuel Injection System**
Fuel is injected into each cylinder during each engine cycle according to the ignition order. This system is used when the engine is running.
- **Simultaneous Multiport Fuel Injection System**
Fuel is injected simultaneously into all six cylinders twice each engine cycle. In other words, pulse signals of the same width are simultaneously transmitted from the ECM.
The six injectors will then receive the signals 2 times for each engine cycle.
This system is used when the engine is being started and/or if the fail-safe system (CPU) is operating.

FUEL SHUT-OFF

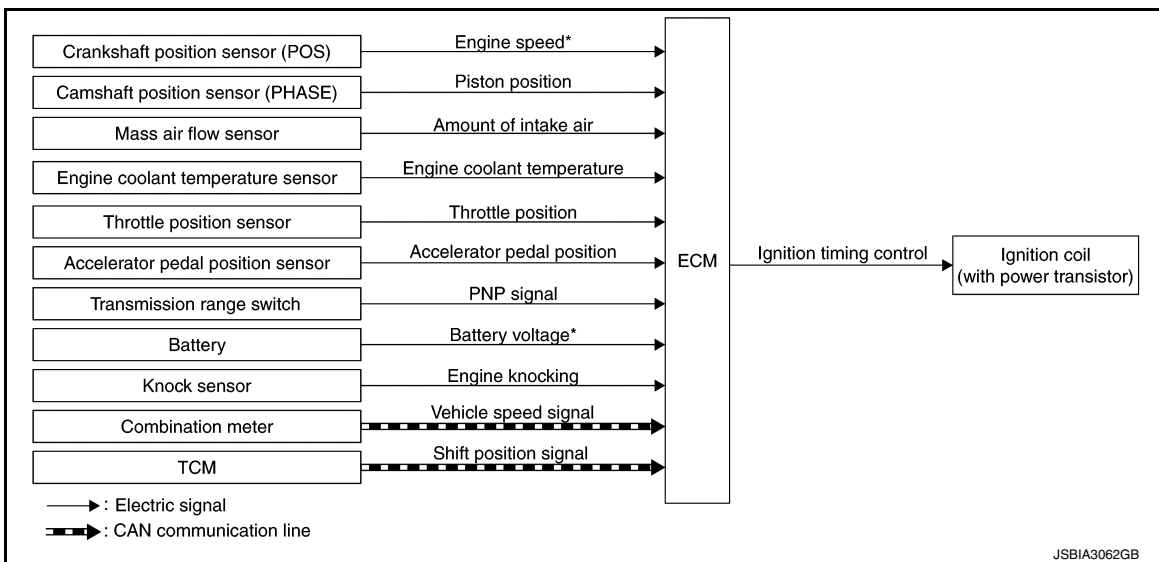
Fuel to each cylinder is cut off during deceleration, operation of the engine at excessively high speeds or operation of the vehicle at excessively high speeds.

ELECTRIC IGNITION SYSTEM

ELECTRIC IGNITION SYSTEM : System Description

INFOID:0000000011939660

SYSTEM DIAGRAM



*: ECM determines the start signal status by the signals of engine speed and battery voltage.

SYSTEM DESCRIPTION

Ignition order: 1 - 2 - 3 - 4 - 5 - 6

The ignition timing is controlled by the ECM to maintain the best air-fuel ratio for every running condition of the engine. The ignition timing data is stored in the ECM.

The ECM receives information such as the injection pulse width and camshaft position sensor (PHASE) signal. Computing this information, ignition signals are transmitted to the power transistor.

During the following conditions, the ignition timing is revised by the ECM according to the other data stored in the ECM.

- At starting
- During warm-up
- At idle
- At low battery voltage

- During acceleration

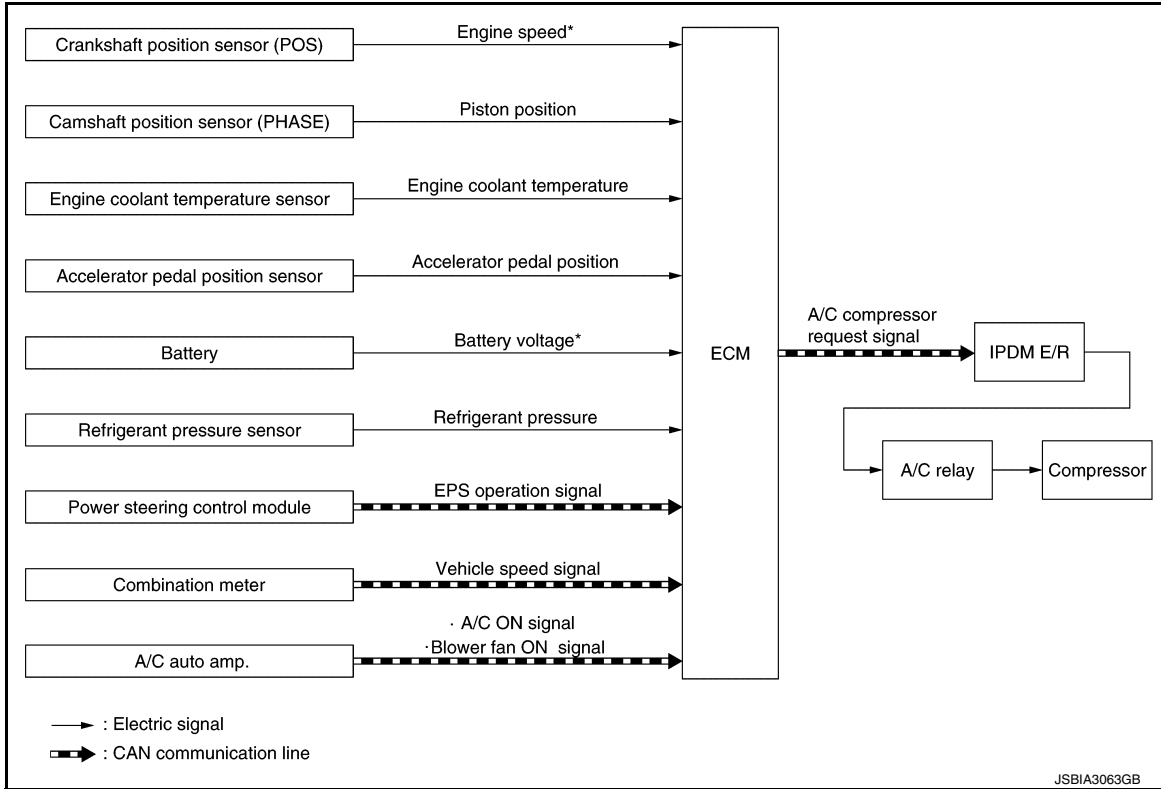
The knock sensor retard system is designed only for emergencies. The basic ignition timing is programmed within the anti-knocking zone, if recommended fuel is used under dry conditions. The retard system does not operate under normal driving conditions. If engine knocking occurs, the knock sensor monitors the condition. The signal is transmitted to the ECM. The ECM retards the ignition timing to eliminate the knocking condition.

AIR CONDITIONING CUT CONTROL

AIR CONDITIONING CUT CONTROL : System Description

INFOID:000000011939661

SYSTEM DIAGRAM



*: ECM determines the start signal status by the signals of engine speed and battery voltage.

SYSTEM DESCRIPTION

This system improves engine operation when the air conditioner is used.

Under the following conditions, the air conditioner is turned OFF.

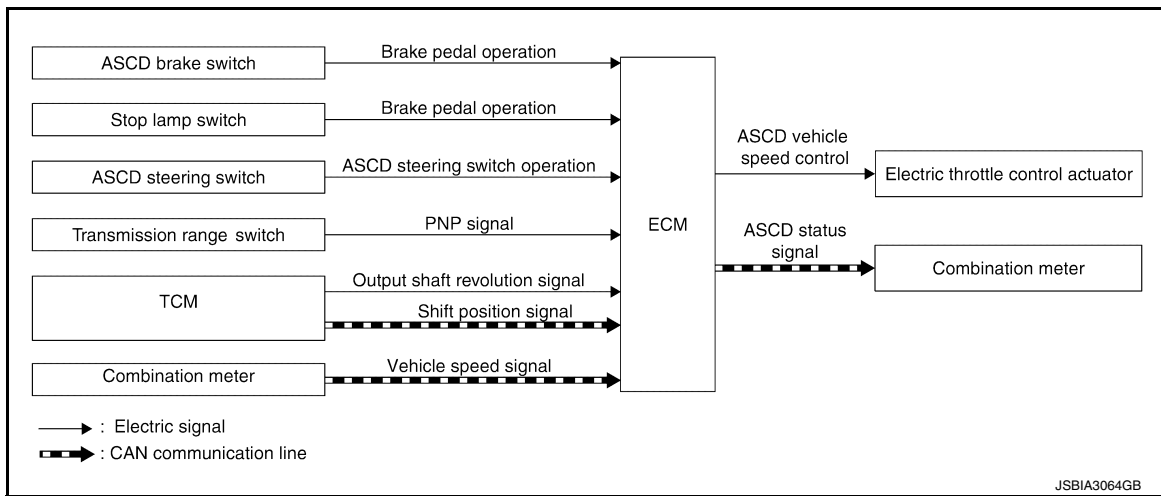
- When the accelerator pedal is fully depressed.
- When cranking the engine.
- At high engine speeds.
- When the engine coolant temperature becomes excessively high.
- When operating power steering during low engine speed or low vehicle speed.
- When engine speed is excessively low.
- When refrigerant pressure is excessively low or high.

AUTOMATIC SPEED CONTROL DEVICE (ASCD)

AUTOMATIC SPEED CONTROL DEVICE (ASCD) : System Description

INFOID:000000011939662

SYSTEM DIAGRAM



BASIC ASCD SYSTEM

Refer to Owner's Manual for ASCD operating instructions.

Automatic Speed Control Device (ASCD) allows a driver to keep vehicle at predetermined constant speed without depressing accelerator pedal. Driver can set vehicle speed in advance between approximately 40 km/h (25 MPH) and 144 km/h (89 MPH).

ECM controls throttle angle of electric throttle control actuator to regulate engine speed.

Operation status of ASCD is indicated by CRUISE indicator and SET indicator in combination meter. If any malfunction occurs in the ASCD system, it automatically deactivates control.

NOTE:

Always drive vehicle in a safe manner according to traffic conditions and obey all traffic laws.

SET OPERATION

Press MAIN switch. (The CRUISE indicator in combination meter illuminates.)

When vehicle speed reaches a desired speed between approximately 40 km/h (25 MPH) and 144 km/h (89 MPH), press SET/COAST switch. (Then SET lamp in combination meter illuminates.)

ACCELERATE OPERATION

If the RESUME/ACCELERATE switch is pressed during cruise control driving, increase the vehicle speed until the switch is released or vehicle speed reaches maximum speed controlled by the system.

And then ASCD will maintain the new set speed.

CANCEL OPERATION

When any of following conditions exist, cruise operation will be canceled.

- CANCEL switch is pressed.
- More than 2 switches at ASCD steering switch are pressed at the same time. (Set speed will be cleared.)
- Brake pedal is depressed.
- Selector lever is in the N, P, and R positions.
- Vehicle speed decreased to 13 km/h (8 MPH) lower than the set speed.
- TCS system is operated.

When the ECM detects any of the following conditions, the ECM will cancel the cruise operation and inform the driver by blinking indicator lamp.

- Engine coolant temperature is slightly higher than the normal operating temperature, CRUISE lamp may blink slowly.

When the engine coolant temperature decreases to the normal operating temperature, CRUISE lamp will stop blinking and the cruise operation will be able to work by pressing SET/COAST switch or RESUME/ACCELERATE switch.

- Malfunction for some self-diagnoses regarding ASCD control: SET indicator will blink quickly.

If MAIN switch is turned to OFF while ASCD is activated, all of ASCD operations will be canceled and vehicle speed memory will be erased.

COAST OPERATION

SYSTEM

< SYSTEM DESCRIPTION >

[VQ35DE]

When the SET/COAST switch is pressed during cruise control driving, decrease vehicle set speed until the switch is released. And then ASCD will maintain the new set speed.

RESUME OPERATION

When the RESUME/ACCELERATE switch is pressed after cancel operation other than pressing MAIN switch is performed, vehicle speed will return to last set speed. To resume vehicle set speed, vehicle condition must meet following conditions.

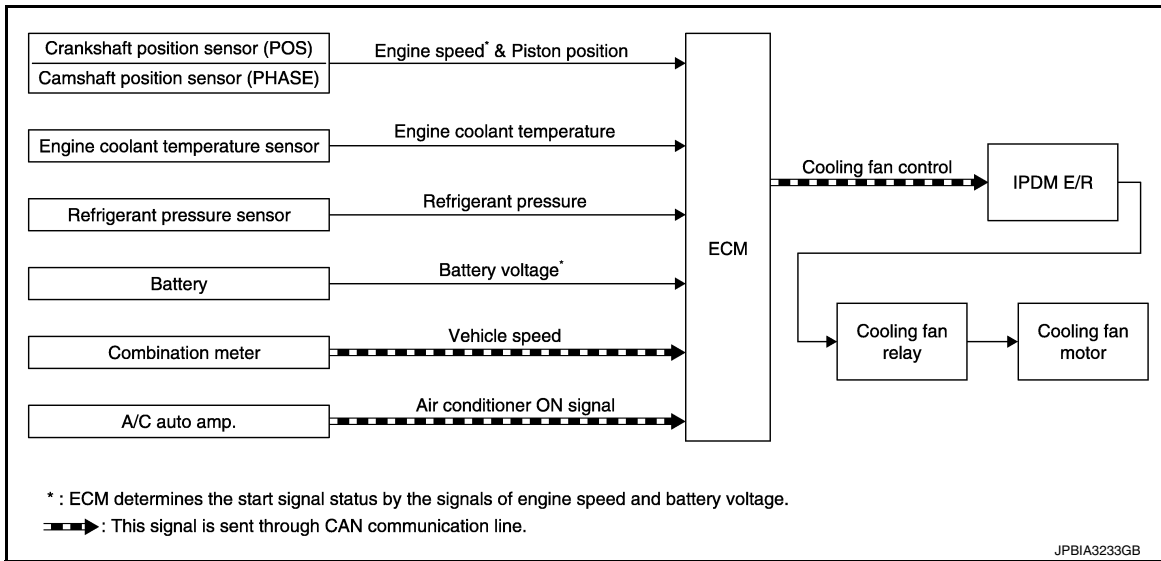
- Brake pedal is released
- Selector lever is in the P and N positions
- Vehicle speed is greater than 40 km/h (25 MPH) and less than 144 km/h (89 MPH)

COOLING FAN CONTROL

COOLING FAN CONTROL : System Description

INFOID:000000011939663

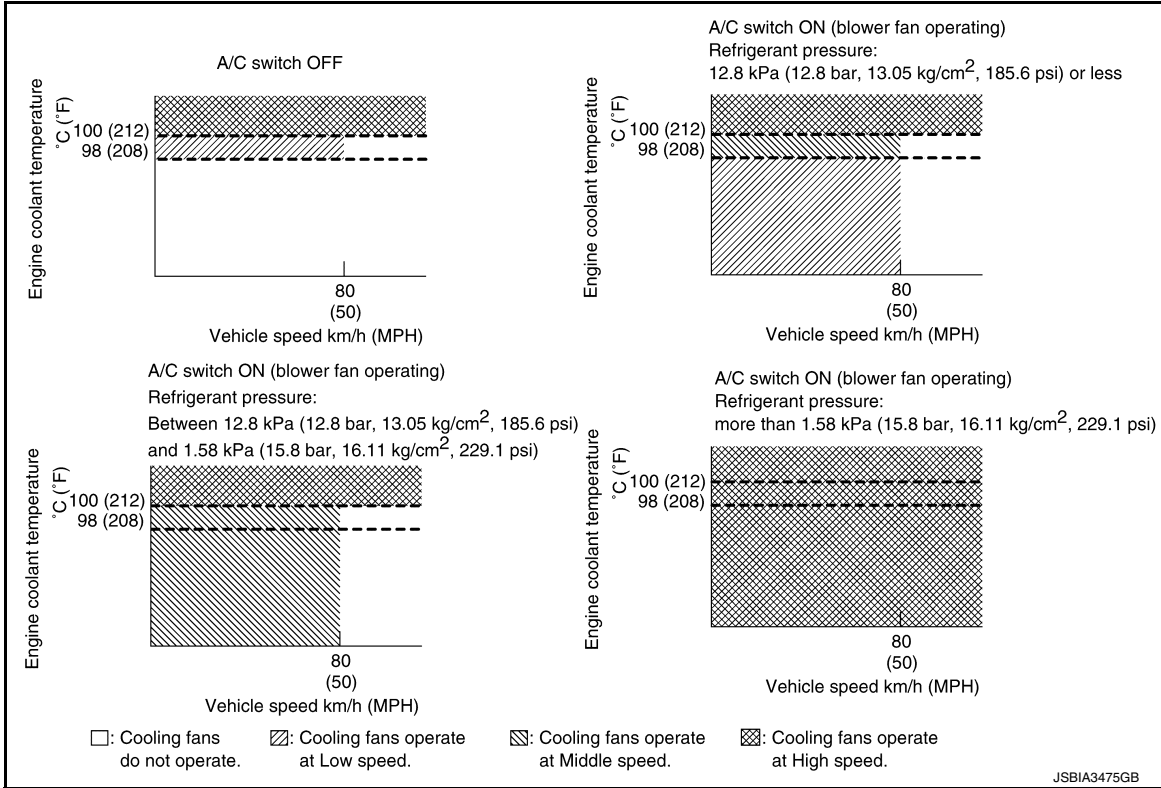
SYSTEM DIAGRAM



SYSTEM DESCRIPTION

ECM controls cooling fan speed corresponding to vehicle speed, engine coolant temperature, refrigerant pressure, air conditioner ON signal. Then control system has 4-step control [HIGH/MIDDLE/LOW/OFF].

Cooling Fan Operation



Cooling Fan Relay Operation

The ECM controls cooling fan relays through CAN communication line.

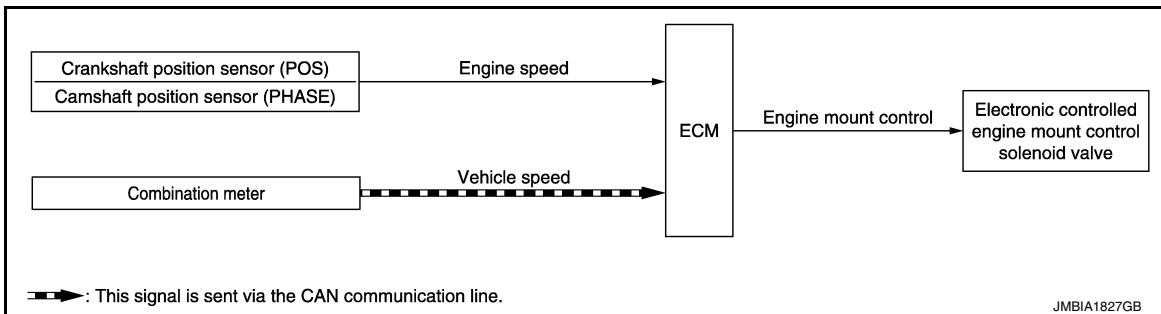
Cooling fan speed	Cooling fan relay		
	1	2	3
Stop (OFF)	OFF	OFF	OFF
Low (LOW)	ON	OFF	OFF
Middle (MID)	OFF	ON	OFF
High (HI)	OFF	ON	ON

ELECTRONIC CONTROLLED ENGINE MOUNT

ELECTRONIC CONTROLLED ENGINE MOUNT : System Description

INFOID:000000011939664

SYSTEM DIAGRAM



SYSTEM DESCRIPTION

The ECM controls the engine mount operation corresponding to the engine speed. The control system has a 2-step control [Soft/Hard]

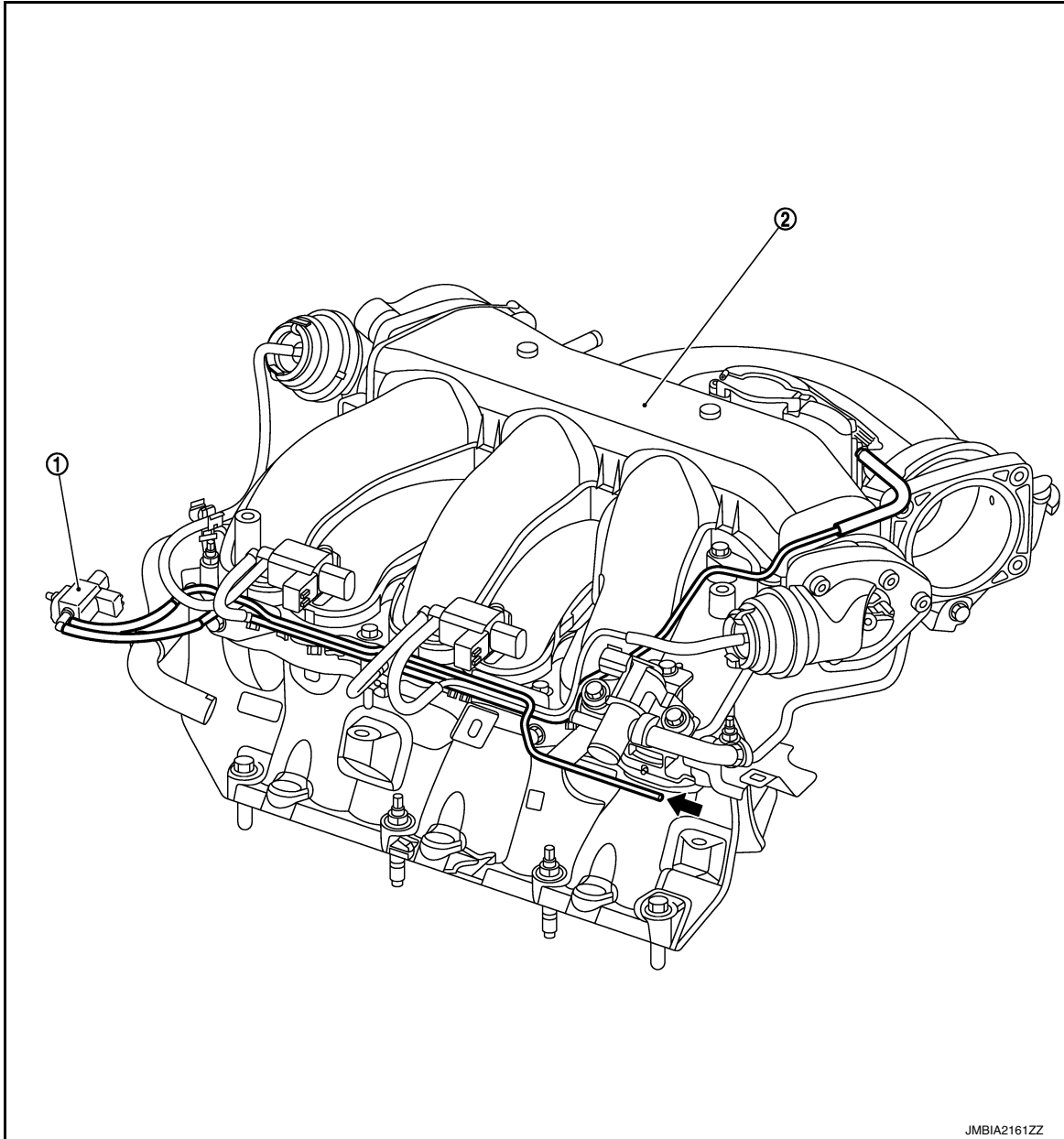
SYSTEM

< SYSTEM DESCRIPTION >

[VQ35DE]

Vehicle condition	Engine mount control
Engine speed: Below 950 rpm	Soft
Engine speed: Above 950 rpm	Hard

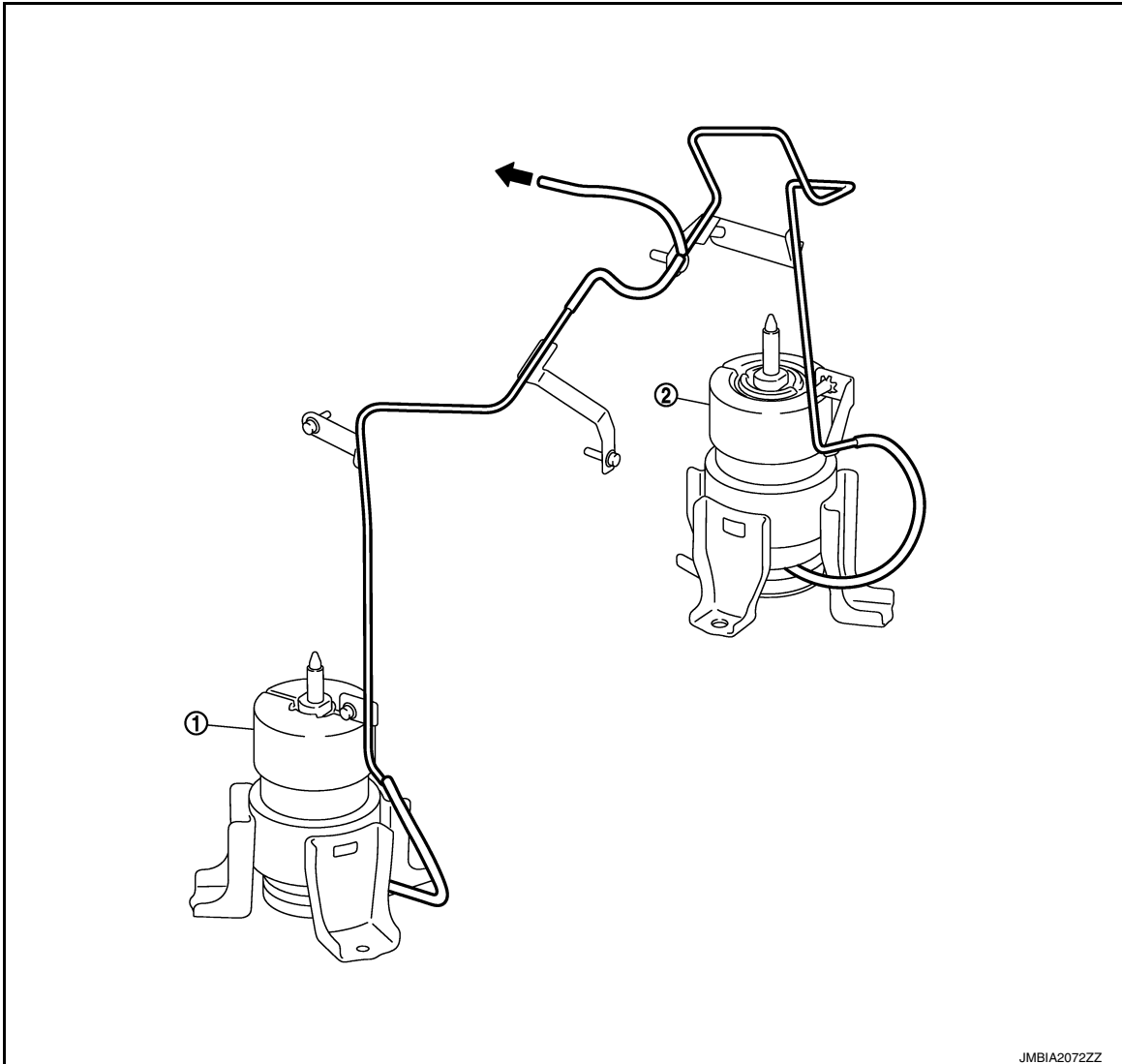
ELECTRONIC CONTROLLED ENGINE MOUNT LINE DRAWING



JMBIA2161ZZ

① Electronic controlled engine mount control solenoid valve ② Intake manifold collector

← : From next figure



A
EC
 C
 D
 E
 F
 G
 H
 I
 J
 K
 L
 M
 N
 O
 P

① Front electronic controlled engine mount ② Rear electronic controlled engine mount

← : To previous figure

NOTE:

Do not use soapy water or any type of solvent while installing vacuum hose.

EVAPORATIVE EMISSION SYSTEM

SYSTEM

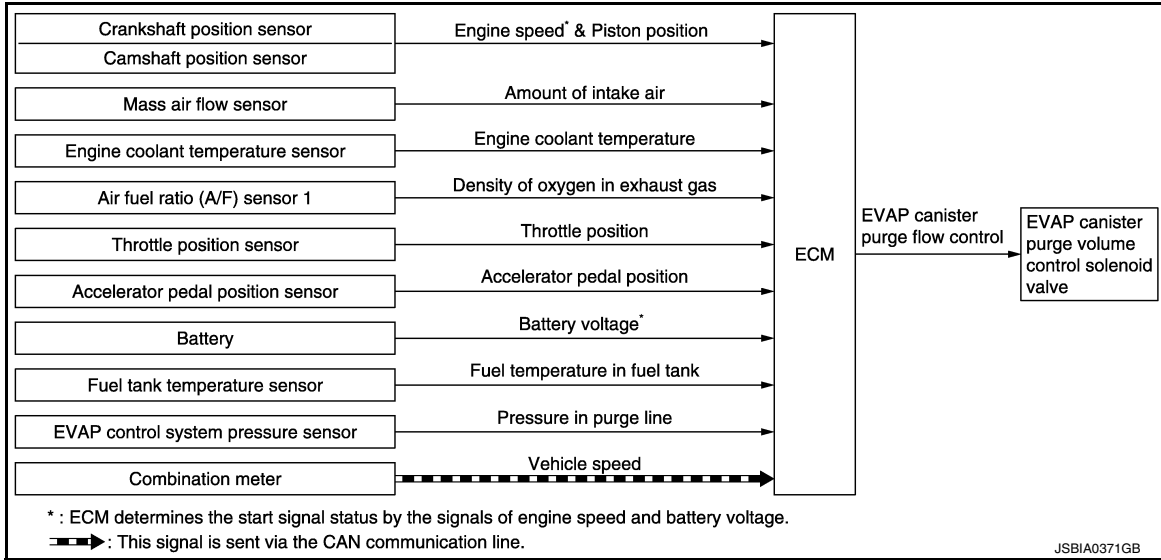
< SYSTEM DESCRIPTION >

[VQ35DE]

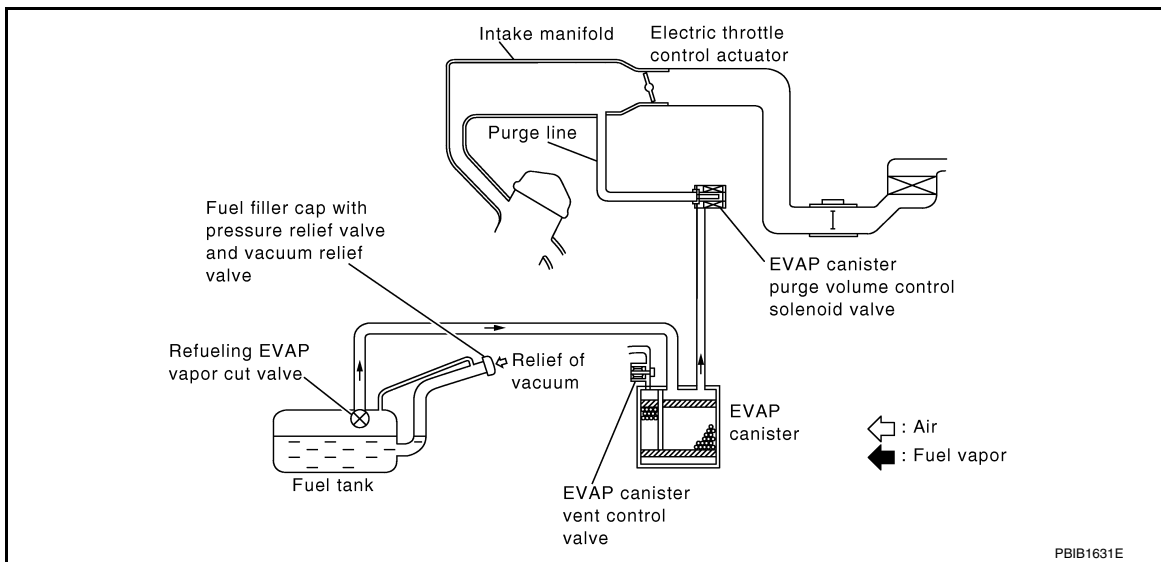
EVAPORATIVE EMISSION SYSTEM : System Description

INFOID:000000011939665

SYSTEM DIAGRAM



SYSTEM DESCRIPTION



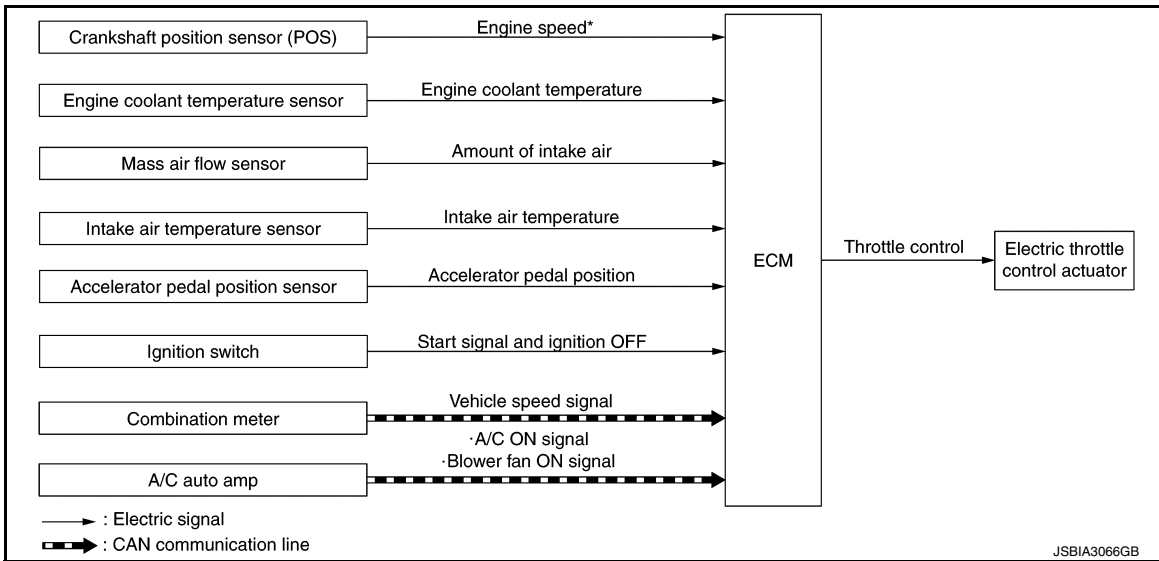
The evaporative emission system is used to reduce hydrocarbons emitted into the atmosphere from the fuel system. This reduction of hydrocarbons is accomplished by activated charcoals in the EVAP canister. The fuel vapor in the sealed fuel tank is led into the EVAP canister which contains activated carbon and the vapor is stored there when the engine is not operating or when refueling to the fuel tank. The vapor in the EVAP canister is purged by the air through the purge line to the intake manifold when the engine is operating. EVAP canister purge volume control solenoid valve is controlled by ECM. When the engine operates, the flow rate of vapor controlled by EVAP canister purge volume control solenoid valve is proportionally regulated as the air flow increases. EVAP canister purge volume control solenoid valve also shuts off the vapor purge line during decelerating and idling.

THROTTLE CONTROL

THROTTLE CONTROL : System Description

INFOID:000000011939666

SYSTEM DIAGRAM



*: ECM determines the start signal status by the signals of engine speed and battery voltage.

SYSTEM DESCRIPTION

ECM calculates the value of signal transmitted from the accelerator pedal and activates the throttle valve by transmitting a control signal to the electric throttle control actuator. This allows the optimum throttle angle and improves drivability and fuel consumption. In addition, ECM learns the fully closed position every time when the ignition switch is turned OFF to improve the accuracy in throttle valve position.

When a malfunction occurs in the throttle control system, the throttle valve is closed by the return spring and maintains the minimum engine speed by holding a slightly opened condition which is close to the fully opened condition. This allows the securing of brake system, power steering system, and electric system and the ensuring of the safety.

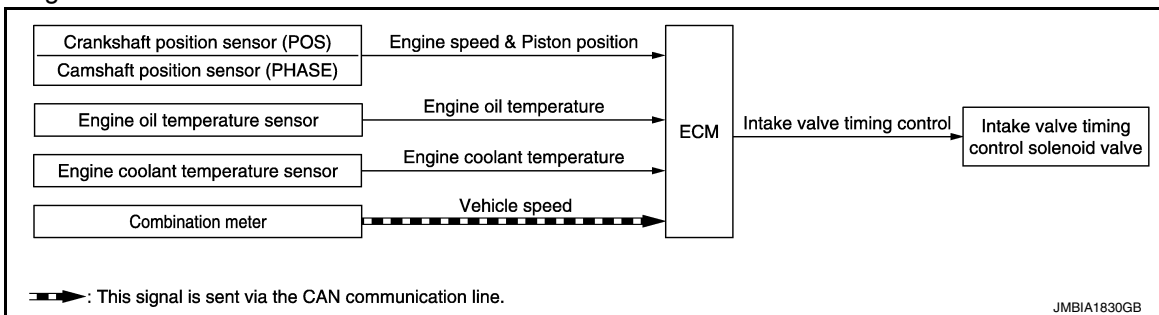
INTAKE VALVE TIMING CONTROL

INTAKE VALVE TIMING CONTROL : System Description

INFOID:000000011939667

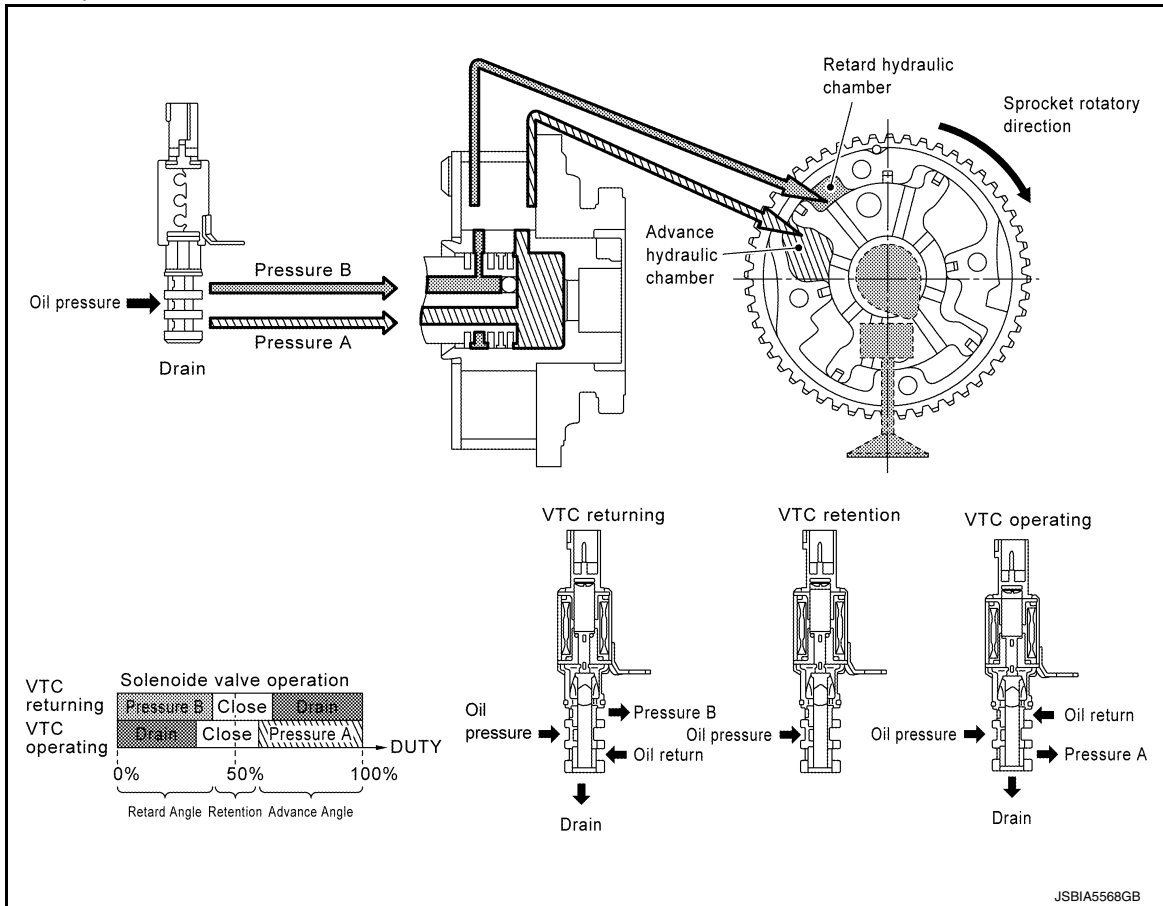
INTAKE VALVE TIMING CONTROL

System Diagram



< SYSTEM DESCRIPTION >

System Description

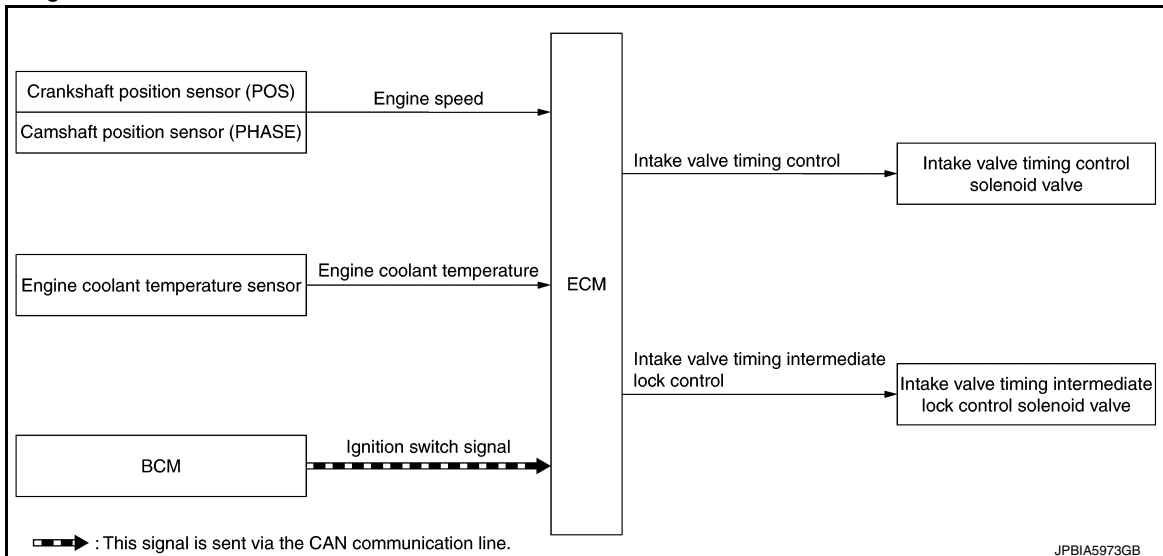


This mechanism hydraulically controls cam phases continuously with the fixed operating angle of the intake valve.

The ECM receives signals such as crankshaft position, camshaft position, engine speed, and engine coolant temperature. Then, the ECM sends ON/OFF pulse duty signals to the intake valve timing (IVT) control solenoid valve depending on driving status. This makes it possible to control the shut/open timing of the intake valve to increase engine torque in low/mid speed range and output in high-speed range.

INTAKE VALVE TIMING INTERMEDIATE LOCK CONTROL

System Diagram



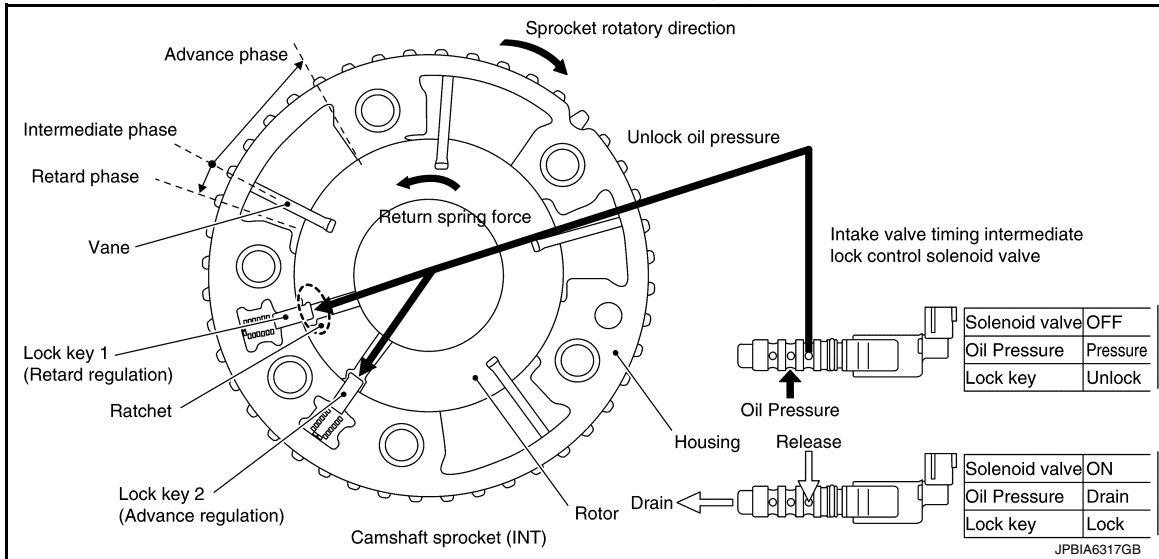
System Description

SYSTEM

< SYSTEM DESCRIPTION >

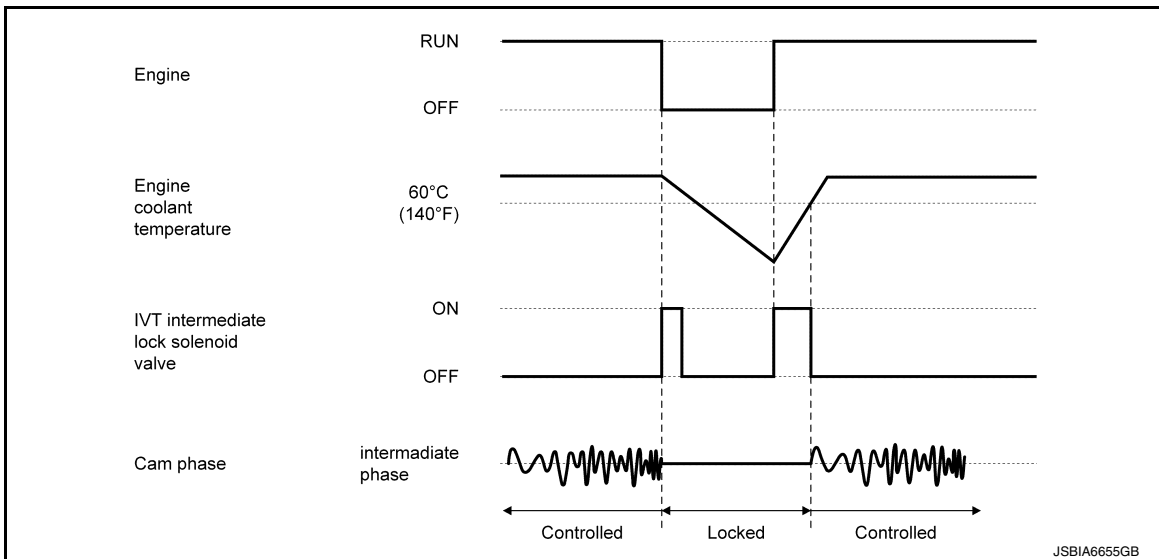
[VQ35DE]

The intake valve timing intermediate lock control improves the cleaning ability of exhaust gas at cold starting by fixing the camshaft sprocket (INT) with two lock keys and bringing the cam phase into intermediate phase.



Cam phase is fixed at the intermediate phase by two lock keys in the camshaft sprocket (INT). ECM controls the intermediate phase lock by opening/closing the intake valve timing intermediate lock control solenoid valve to control oil pressure acting on the lock key and locking/unlocking the lock key.

Lock/Unlock Activation



When the ignition switch is turned OFF from the idle state, ECM activates the intake valve timing intermediate lock control solenoid valve to drain oil pressure. Accordingly, the lock key is activated by the spring, and the cam phase is fixed at the intermediate position.

When starting the engine by cold start, ECM activates the solenoid valve to maintain the condition that the cam phase is fixed at the intermediate position.

When the engine coolant temperature exceeds 60°C (140°F), ECM turns OFF the solenoid valve and starts normal intake valve timing control.

EXHAUST VALVE TIMING CONTROL

SYSTEM

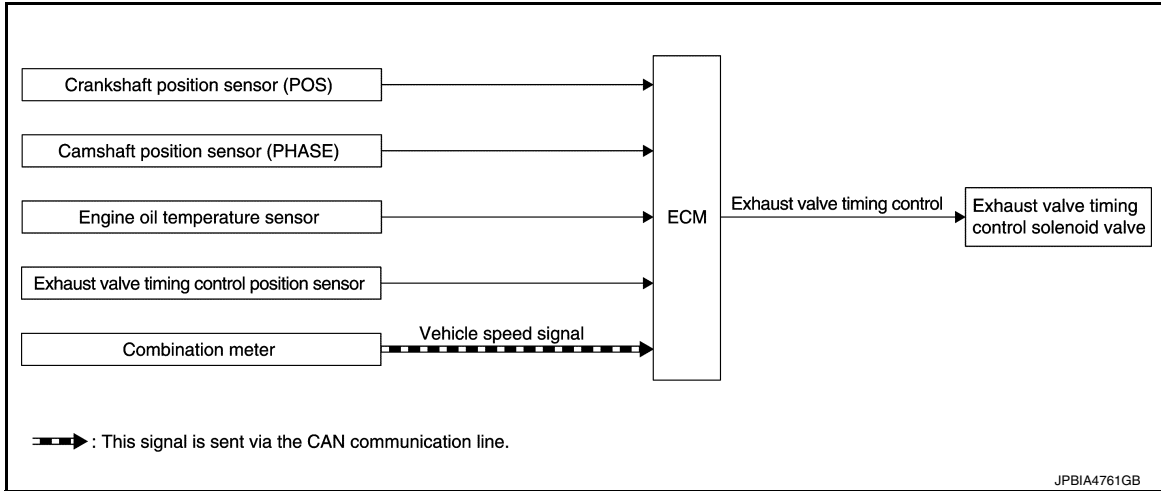
< SYSTEM DESCRIPTION >

[VQ35DE]

EXHAUST VALVE TIMING CONTROL : System Description

INFOID:000000011939668

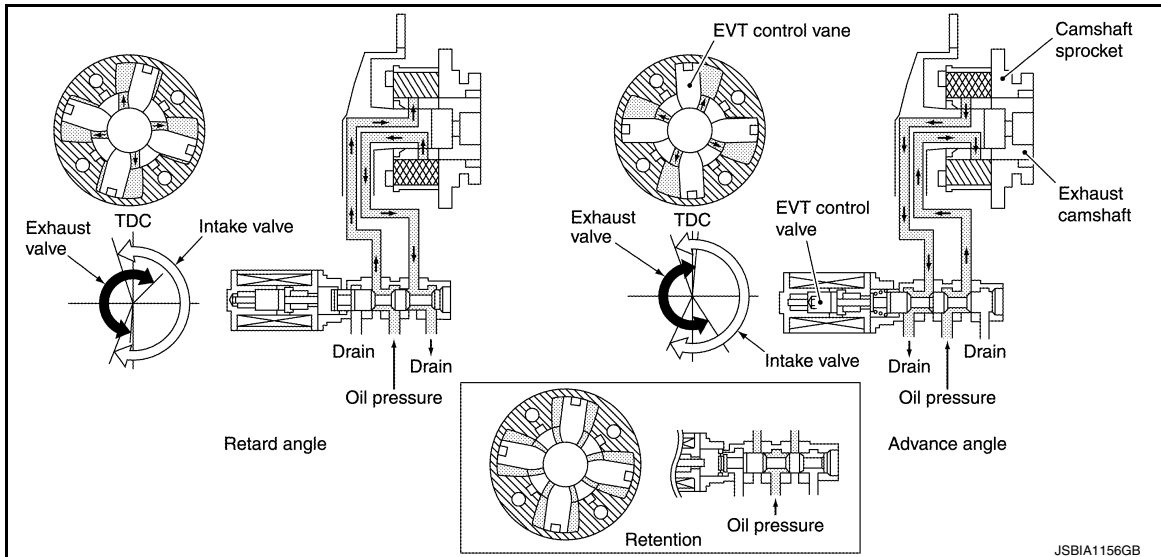
SYSTEM DIAGRAM



INPUT/OUTPUT SIGNAL CHART

Sensor	Input signal to ECM	ECM function	Actuator
Crankshaft position sensor (POS)	Engine speed and piston position	Exhaust valve timing control	Exhaust valve timing control solenoid valve
Camshaft position sensor (PHASE)			
Engine oil temperature sensor	Engine oil temperature		
Exhaust valve timing control position sensor	Exhaust valve timing signal		
Combination meter	CAN communication		

SYSTEM DESCRIPTION



This mechanism hydraulically controls cam phases continuously with the fixed operating angle of the exhaust valve.

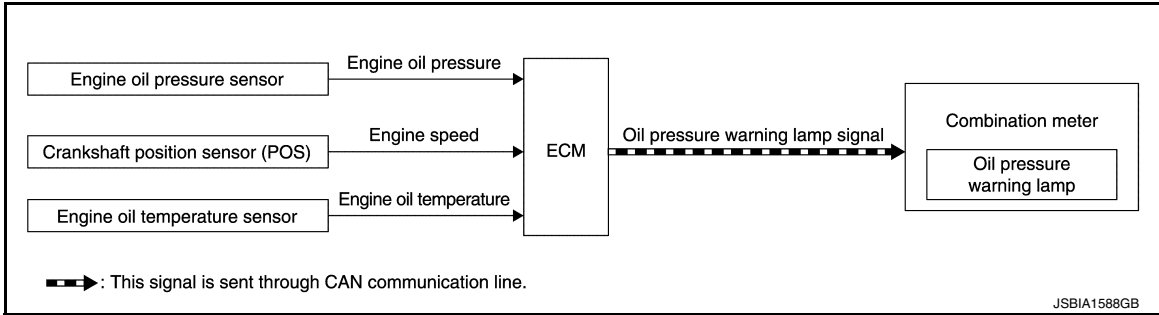
The ECM receives signals such as crankshaft position, camshaft position, engine speed, and engine oil temperature. Then, the ECM sends ON/OFF pulse duty signals to the exhaust valve timing (EVT) control solenoid valve depending on driving status. This makes it possible to control the shut/open timing of the exhaust valve to increase engine torque and output in a range of high engine speed.

ENGINE PROTECTION CONTROL AT LOW ENGINE OIL PRESSURE

ENGINE PROTECTION CONTROL AT LOW ENGINE OIL PRESSURE : System De-

scription

SYSTEM DIAGRAM



SYSTEM DESCRIPTION

- The engine protection control at low engine oil pressure warns the driver of a decrease in engine oil pressure by the oil pressure warning lamp before the engine becomes damaged.
- When detecting a decrease in engine oil pressure at an engine speed less than 1,000 rpm, ECM transmits an oil pressure warning lamp signal to the combination meter. The combination meter turns ON the oil pressure warning lamp, according to the signal.
- When detecting a decrease in engine oil pressure at an engine speed 1,000 rpm or more, ECM transmits an oil pressure warning lamp signal to the combination meter. The combination meter turns ON the oil pressure warning lamp, according to the signals. When detecting a decrease in engine oil pressure, ECM cuts fuel if the engine speed exceeds the specified value.

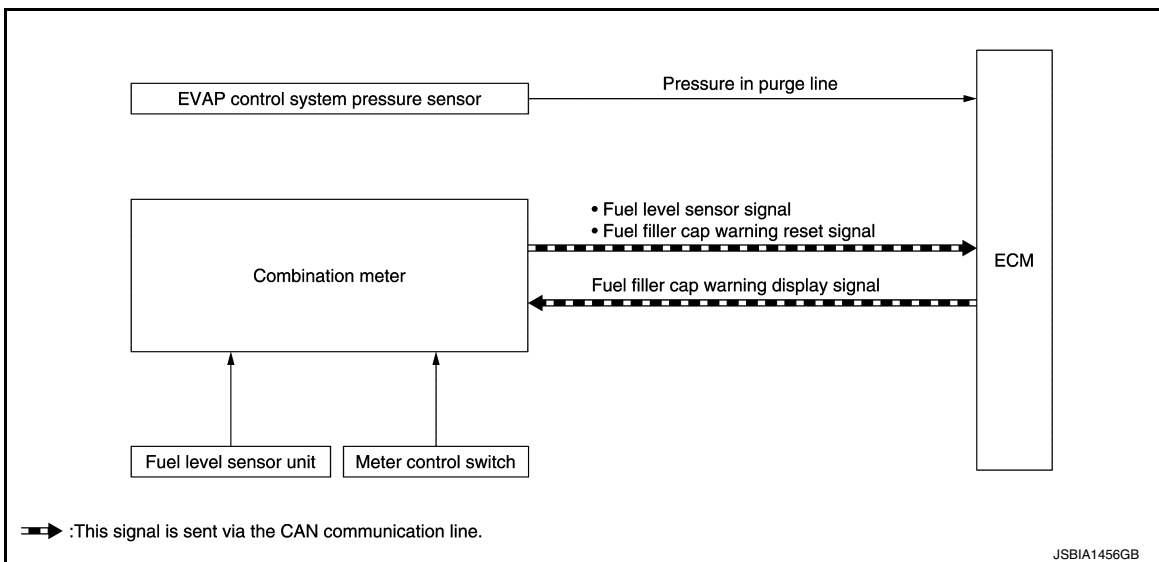
Decrease in engine oil pressure	Engine speed	Combination meter	Fuel cut
		Oil pressure warning lamp	
Detection	Less than 1,000 rpm	ON*	NO
	1,000 rpm or more	ON	YES

*: When detecting a normal engine oil pressure, ECM turns OFF the oil pressure warning lamp.

FUEL FILLER CAP WARNING SYSTEM

FUEL FILLER CAP WARNING SYSTEM : System Description

SYSTEM DIAGRAM



SYSTEM DESCRIPTION

The fuel filler cap warning system alerts the driver to the prevention of the fuel filler being left uncapped and malfunction occurrences after refueling, by turning ON the fuel filler cap warning display on the combination meter.

ECM judges a refueled state, based on a fuel level signal transmitted from the combination meter.

SYSTEM

[VQ35DE]

< SYSTEM DESCRIPTION >

When a very small leak is detected through the EVAP leak diagnosis performed after judging the refueled state, ECM transmits a fuel filler cap warning display signal (request for display ON) to the combination meter via CAN communication.

When receiving the signal, the combination meter turns ON the fuel filler cap warning display.

CAUTION:

Check fuel filler cap installation condition when the fuel filler cap warning display turns ON.

Reset Operation

The fuel filler cap warning lamp turns OFF, according to any condition listed below:

- Reset operation is performed by operating the meter control switch on the combination meter.
- When the reset operation is performed, the combination meter transmits a fuel filler cap warning reset signal to ECM via CAN communication. ECM transmits a fuel filler cap warning display signal (request for display OFF) to the combination meter via CAN communication. When receiving the signal, the combination meter turns OFF the fuel filler cap warning display.
- EVAP leak diagnosis result is normal.
- Fuel refilled.
- DTC erased by using CONSULT.

NOTE:

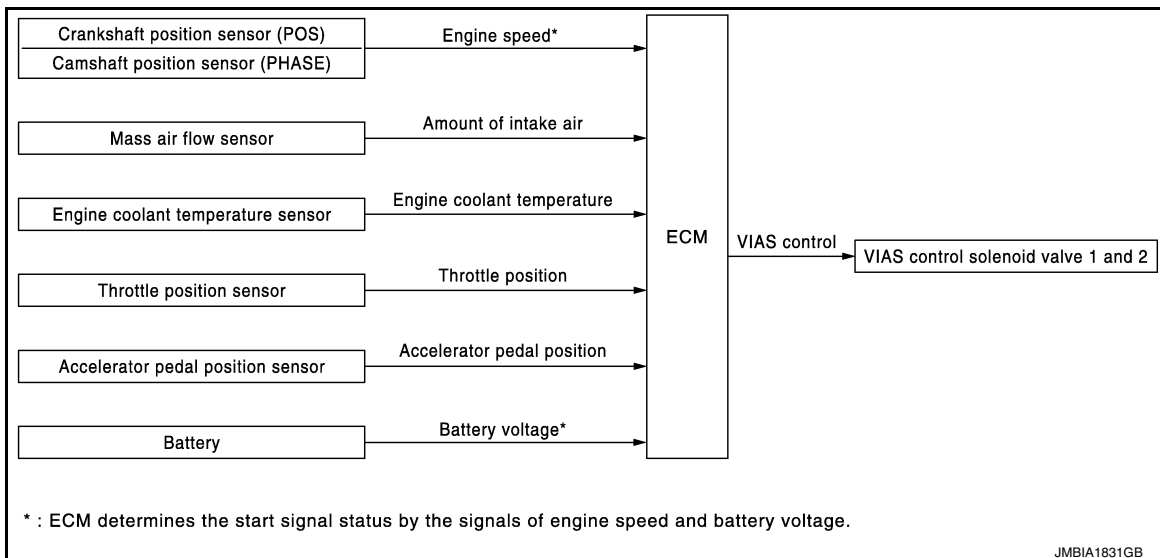
MIL turns ON if a malfunction is detected in leak diagnosis results again at the trip after the fuel filler cap warning display turns ON/OFF.

VARIABLE INDUCTION AIR SYSTEM

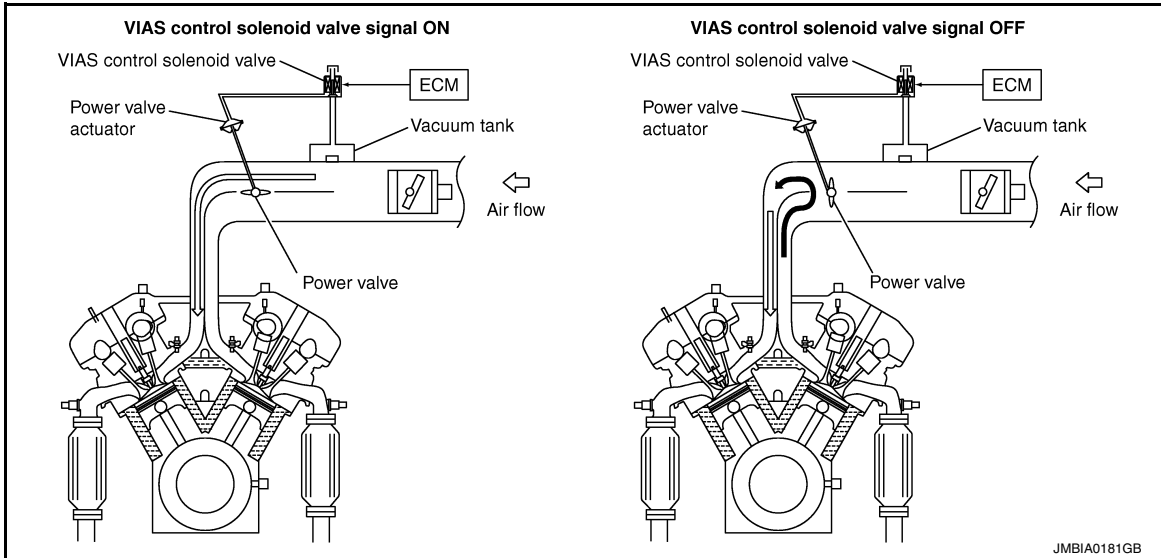
VARIABLE INDUCTION AIR SYSTEM : System Description

INFOID:000000011939675

SYSTEM DIAGRAM



SYSTEM DESCRIPTION



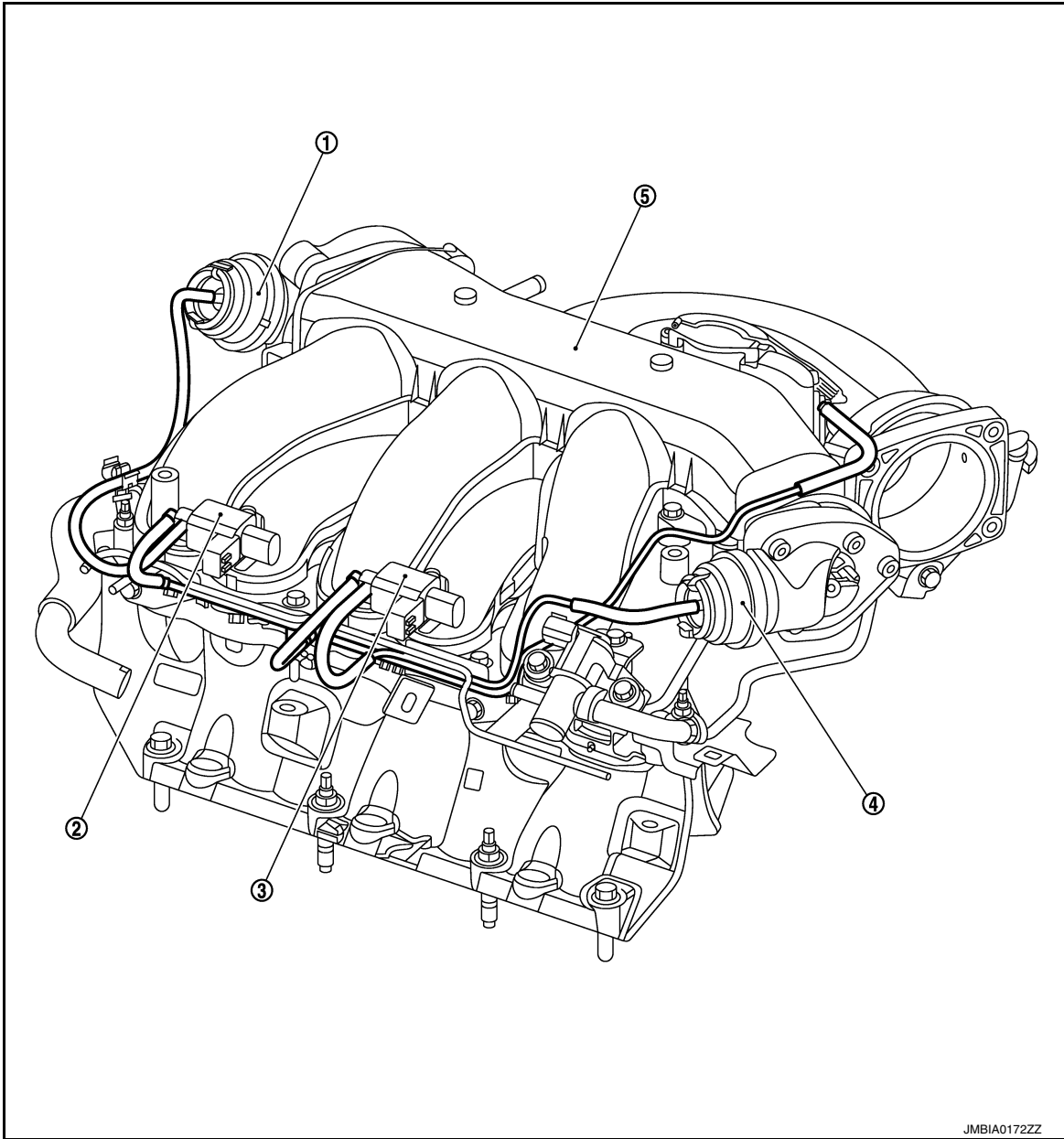
In the medium speed range, the ECM sends the ON signal to the VIAS control solenoid valve. This signal introduces the intake manifold vacuum into the power valve actuator and therefore closes the power valve. Under this condition, the pressure waves of the exhaust stroke do not disturb the pressure waves of the intake stroke of each opposite bank. Therefore, charging efficiency is increased together with the effect of the long intake passage.

However, in the high speed range, the ECM sends the OFF signal to the VIAS control solenoid valve and the power valve is opened. Under this condition, the pressure waves of intake stroke are resonant with those of each opposite bank exhaust stroke. Therefore, charging efficiency is also increased.

In addition, both valves 1 and 2 are opened or closed in other ranges mentioned above. Thus maximum charging efficiency is obtained for the various driving conditions.

VACUUM HOSE DRAWING

A
EC
C
D
E
F
G
H
I
J
K
L
M
N
O
P



- ① Power valve actuator 1
- ② VIAS control solenoid valve 1
- ③ VIAS control solenoid valve 2
- ④ Power valve actuator 2
- ⑤ Intake manifold collector

INTEGRATED CONTROL OF ENGINE, CVT, AND ABS

INTEGRATED CONTROL OF ENGINE, CVT, AND ABS : System Description

INFOID:0000000011939676

Real time communications (signal exchange) among control units (e.g. ECM, CVT, ABS, and combination meter) via CAN communication optimizes engine torque and lock-up during gear shift and prevents engine speed from decreasing during deceleration.

ALTERNATOR POWER GENERATION VOLTAGE VARIABLE CONTROL SYSTEM

ALTERNATOR POWER GENERATION VOLTAGE VARIABLE CONTROL SYSTEM :

System Description

INFOID:000000012463808

The alternator power generation voltage variable control system controls the amount of power generation, according to a battery loaded condition. ECM judges a battery condition, according to a signal received from the battery current sensor which detects a charge/discharge current. ECM then transmits a signal to IPDM E/R to command power generation via CAN communication. IPDM E/R transmits a power generation control signal to the alternator so that the system can control the amount of power generation. The voltage of power generation is lowered during battery low-load conditions and boosted under heavy load conditions. In this way, the system reduces the engine load through the adequate power generation control.

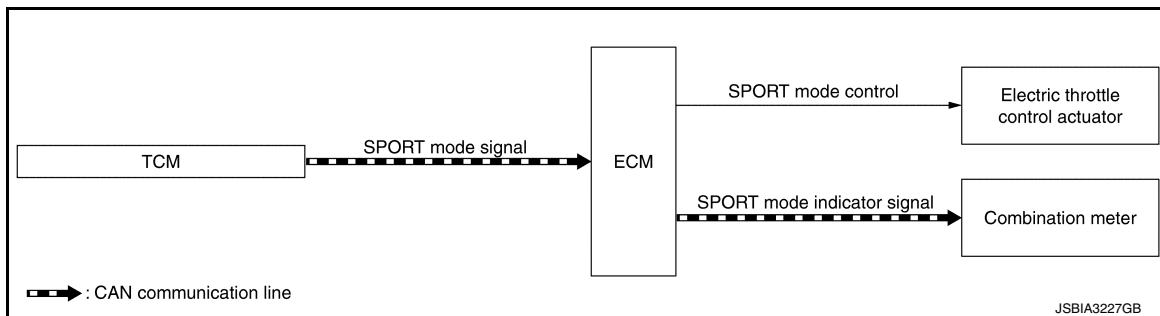
For details, refer to [CHG-7, "POWER GENERATION VOLTAGE VARIABLE CONTROL SYSTEM : System Description"](#).

SPORT MODE CONTROL

SPORT MODE CONTROL : System Description

INFOID:000000012460033

SYSTEM DIAGRAM



SYSTEM DESCRIPTION

- SPORT mode that keeps high engine revolution and provides direct feel and acceleration performance suitable for driving on winding road.
- ECM receives drive mode signal (SPORT/NORMAL) from TCM via CAN communication and improves drivability by controlling the throttle movement.
- ECM transmits SPORT mode indicator lamp signal to the combination meter via CAN communication.

NOTE:

For the details of the SPORT mode, refer to [DMS-7, "DRIVE MODE SELECTOR : System Description"](#).

CAN COMMUNICATION

CAN COMMUNICATION : System Description

INFOID:000000011939677

CAN (Controller Area Network) is a serial communication line for real time application. It is an on-vehicle multiplex communication line with high data communication speed and excellent error detection ability. Many electronic control units are equipped onto a vehicle, and each control unit shares information and links with other control units during operation (not independent). In CAN communication, control units are connected with 2 communication lines (CAN H line, CAN L line) allowing a high rate of information transmission with less wiring. Each control unit transmits/receives data but selectively reads required data only.

Refer to [LAN-32, "CAN COMMUNICATION SYSTEM : CAN Communication Signal Chart"](#), about CAN communication for detail.

WARNING LAMPS/INDICATOR LAMPS

WARNING LAMPS/INDICATOR LAMPS : Engine Oil Pressure Warning Lamp

INFOID:000000012458842

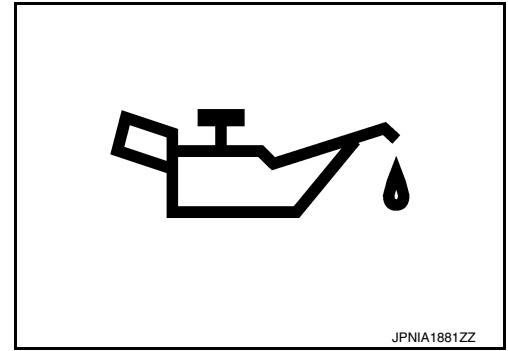
DESIGN/PURPOSE

SYSTEM

< SYSTEM DESCRIPTION >

[VQ35DE]

When engine oil pressure is low, the oil pressure warning lamp informs the driver of low oil pressure to prevent damage to the engine.



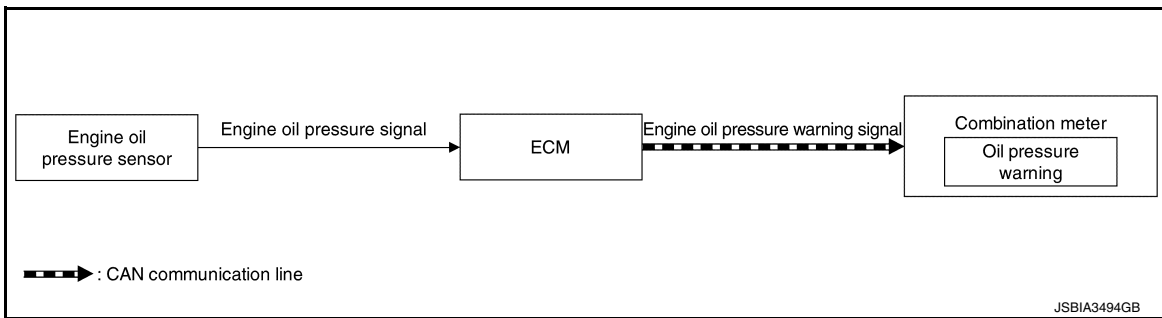
BULB CHECK

Not applicable

OPERATION AT COMBINATION METER CAN COMMUNICATION CUT-OFF OR UNUSUAL SIGNAL

For the operation for CAN communications blackout or abnormal signal reception, refer to [MWI-28. "Fail-safe"](#).

SYSTEM DIAGRAM



SIGNAL PATH

ECM calculates an engine oil pressure according to a signal transmitted from the engine oil pressure sensor. When the engine oil pressure is low, ECM transmits the engine oil pressure warning lamp signal to combination meter via CAN communication. Then the engine oil pressure warning lamp illuminates.

LIGHTING CONDITION

When any of the following conditions is satisfied:

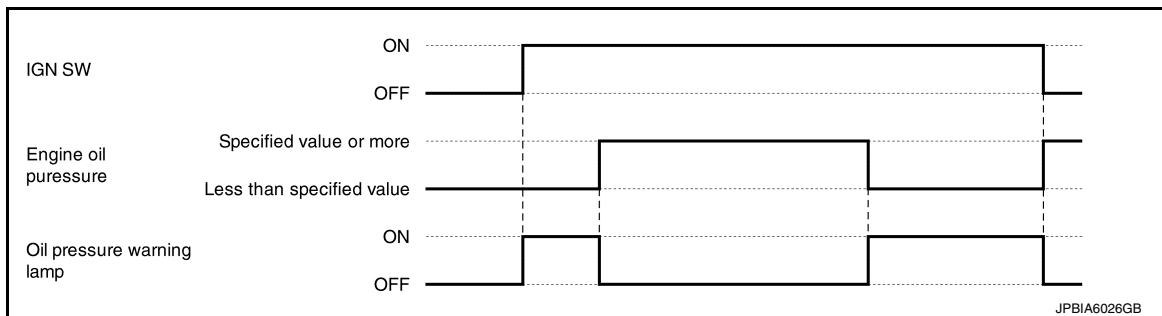
- Ignition switch: OFF
- Engine oil pressure is the specified value or more.

SHUTOFF CONDITION

When any of the following conditions is satisfied:

- Ignition switch: OFF
- Engine oil pressure is the specified value or more.

TIMING CHART



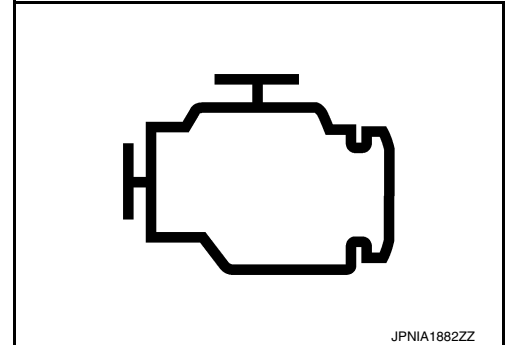
WARNING LAMPS/INDICATOR LAMPS : Malfunction Indicator Lamp (MIL)

INFOID:0000000012444638

DESIGN/PURPOSE

When a malfunction which increases exhaust gases is detected, ECM turns ON MIL and informs the driver of the necessity of inspection and repair.

When a malfunction which causes damage to the catalyst is detected, ECM immediately blinks MIL to alert the driver.



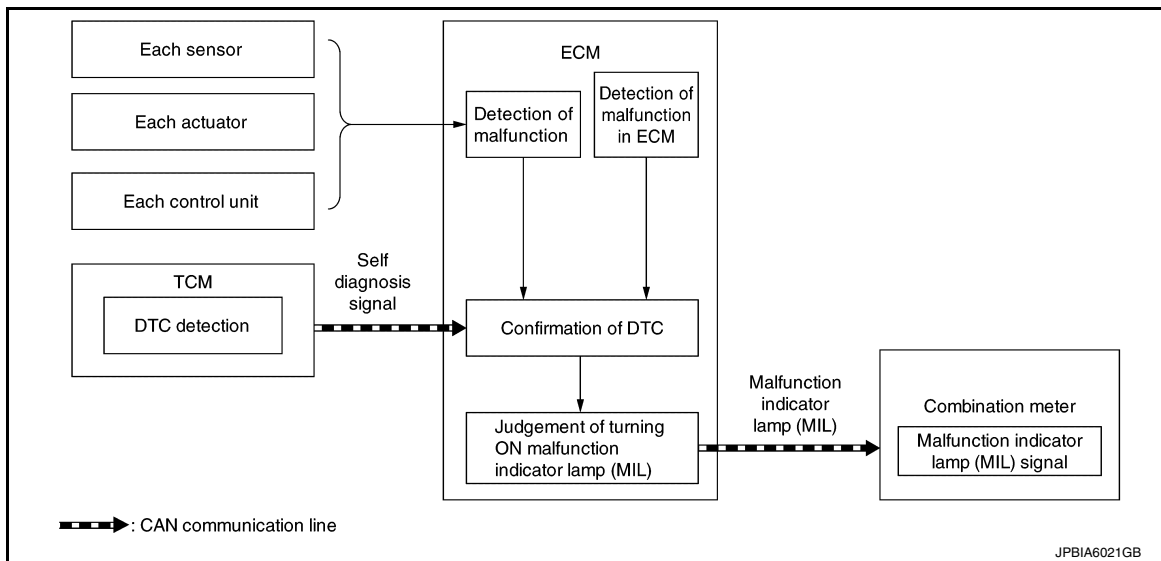
BULB CHECK

The bulb turns ON after turning ON the ignition switch (engine stop) and turns OFF after restarting the engine.

OPERATION AT COMBINATION METER CAN COMMUNICATION CUT-OFF OR UNUSUAL SIGNAL

For the operation for CAN communication blackout in the combination meter, refer to [MWI-28, "Fail-safe"](#).

SYSTEM DIAGRAM



SIGNAL PATH

- When the lighting conditions of the malfunction indicator lamp (MIL) are satisfied, ECM transmits a malfunction indicator lamp (MIL) signal to the combination meter via CAN communication.
- The combination meter turns ON or blinks the malfunction indicator lamp (MIL), according to a signal received from ECM.

LIGHTING CONDITION

When all of the following conditions are satisfied:

- Ignition switch: ON
- DTC which influences on exhaust gasses is judged.

For DTCs that the malfunction indicator lamp turns ON and the number of DTC diagnosis trips, refer to [EC-107, "DTC Index"](#).

SHUTOFF CONDITION

When any of the following conditions is satisfied:

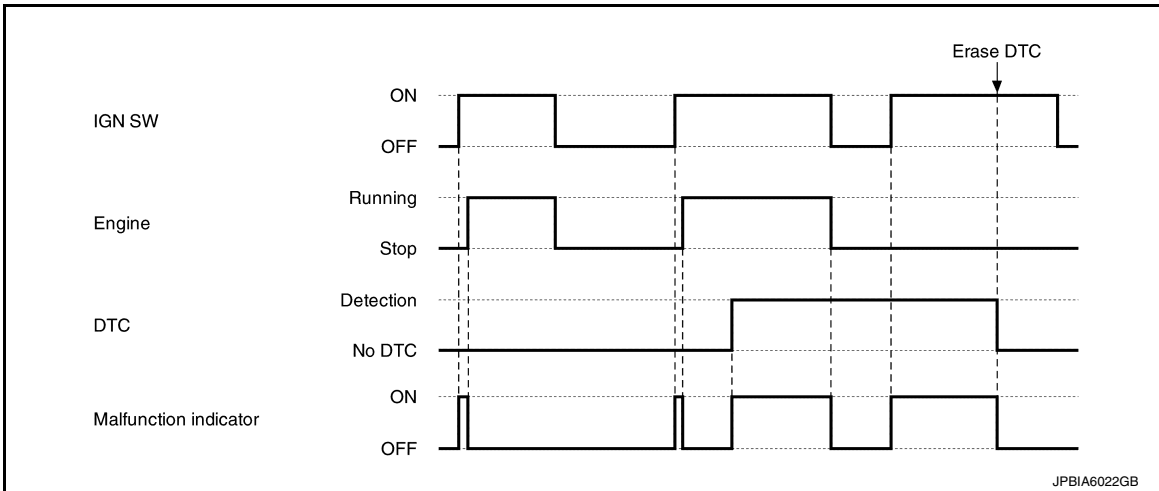
SYSTEM

[VQ35DE]

< SYSTEM DESCRIPTION >

- Ignition switch: OFF
- Erase DTC

TIMING CHART



INFORMATION DISPLAY (COMBINATION METER)

INFORMATION DISPLAY (COMBINATION METER) : ASCD Indicator

INFOID:0000000012444606

Item	Symbol	Function
ASCD indicator	<p>JSCIA0831ZZ</p> <p>Message: -- Km/h / -- MPH</p>	<p>For detail of ASCD function, refer to EC-60. "AUTOMATIC SPEED CONTROL DEVICE (ASCD) : Switch Name and Function".</p>

INFORMATION DISPLAY (COMBINATION METER) : Fuel Filler Cap Warning

INFOID:0000000011939674

DESIGN/PURPOSE

Warn the driver that the fuel filler cap is left opened.

Symbol	Message
<p>JSBIA6750ZZ</p>	Loose Fuel Cap

For details, refer to [EC-51. "FUEL FILLER CAP WARNING SYSTEM : System Description"](#).

SYSTEM



< SYSTEM DESCRIPTION >

[VQ35DE]

WARNING/INDICATOR/CHIME LIST

WARNING/INDICATOR/CHIME LIST : Warning lamps/Indicator lamps

INFOID:000000012444608

Name	Design	Arrangement/Function
Oil pressure warning lamp		Regarding the arrangement. Refer to MWI-6, "METER SYSTEM : Design" .
		Regarding the function. Refer to EC-55, "WARNING LAMPS/INDICATOR LAMPS : Engine Oil Pressure Warning Lamp" .
Malfunction indicator lamp (MIL)		Regarding the arrangement. Refer to MWI-6, "METER SYSTEM : Design" .
		Regarding the function. Refer to EC-57, "WARNING LAMPS/INDICATOR LAMPS : Malfunction Indicator Lamp (MIL)" .

WARNING/INDICATOR/CHIME LIST : Warning/Indicator (On Information Display)

INFOID:000000012444609

Name	Function
ASCD indicator	Refer to EC-58, "INFORMATION DISPLAY (COMBINATION METER) : ASCD Indicator" .
Fuel filler cap warning	Refer to EC-58, "INFORMATION DISPLAY (COMBINATION METER) : Fuel Filler Cap Warning" .

OPERATION

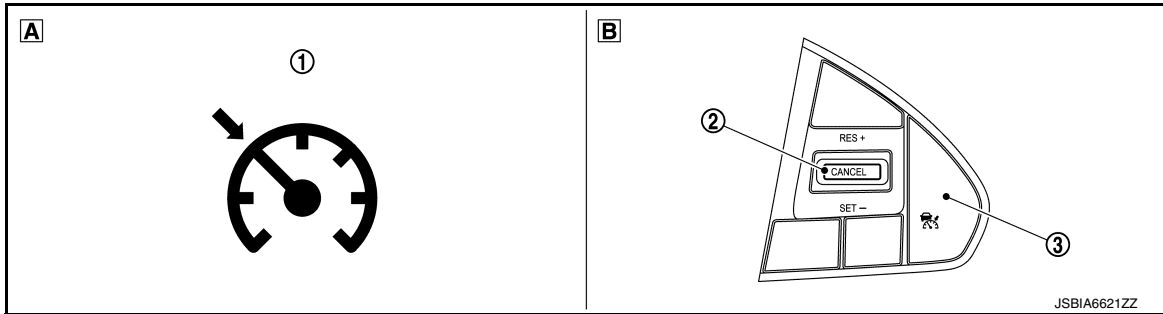
AUTOMATIC SPEED CONTROL DEVICE (ASCD)

AUTOMATIC SPEED CONTROL DEVICE (ASCD) : Switch Name and Function

INFOID:000000011939679

SWITCHES AND INDICATORS

With ICC



A On the combination meter (Information display)

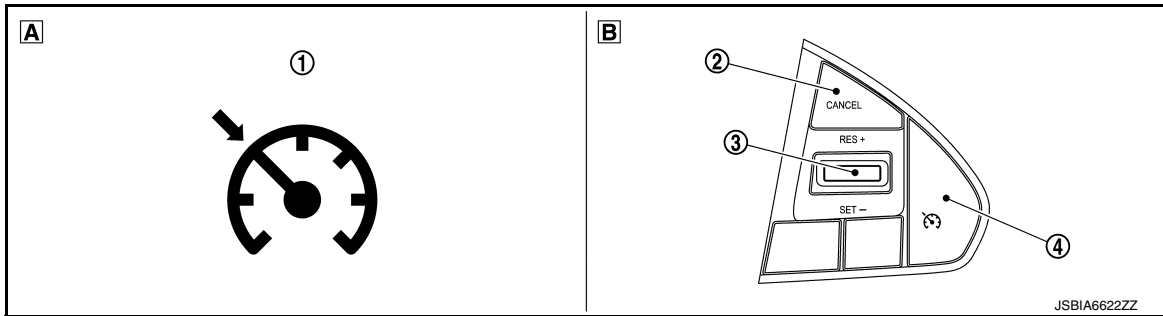
B On the steering wheel

① ASCD indicator

② CANCEL switch (push), RES/+ switch (up), SET/- switch (down)

③ MAIN switch

Without ICC



A On the combination meter (Information display)

B On the steering wheel

① ASCD indicator

② CANCEL switch

③ RES/+ switch (up), SET/- switch (down)

④ MAIN switch

SET SPEED RANGE

ASCD system can be set the following vehicle speed.

Minimum speed (Approx.)	Maximum speed (Approx.)
40 km/h (25 MPH)	144 km/h (89 MPH)

SWITCH OPERATION

Item	Function
CANCEL switch	Cancels the cruise control driving.
RES/+ switch (RESUME/ACCELERATE)	<ul style="list-style-type: none"> Resumes the set speed. Increases speed incrementally during cruise control driving.
SET/- switch (SET/COAST)	<ul style="list-style-type: none"> Sets desired cruise speed. Decreases speed incrementally during cruise control driving.
MAIN switch	Master switch to activate the ASCD system.

< SYSTEM DESCRIPTION >

CANCEL OPERATION

When any of following conditions exist, cruise operation will be canceled.

- CANCEL switch is pressed
- MAIN switch pressed (Set speed is cleared)
- More than 2 switches at ASCD steering switch are pressed at the same time (Set speed will be cleared)
- Brake pedal is depressed
- Selector lever position is changed to N, P or R
- Vehicle speed decreased to 13 km/h (8 MPH) lower than the set speed
- TCS system is operated

When the ECM detects any of the following conditions, the ECM will cancel the cruise operation and inform the driver by blinking indicator.

- Engine coolant temperature is slightly higher than the normal operating temperature, CRUISE indicator may blink slowly.

When the engine coolant temperature decreases to the normal operating temperature, CRUISE indicator will stop blinking and the cruise operation will be able to work by pressing SET/- switch or RES/+ switch.

- Malfunction for some self-diagnoses regarding ASCD control: SET indicator will blink quickly.

If MAIN switch is turned to OFF during ASCD is activated, all of ASCD operations will be canceled and vehicle speed memory will be erased.

A
EC
C
D
E
F
G
H
I
J
K
L
M
N
O
P

ON BOARD DIAGNOSTIC (OBD) SYSTEM

< SYSTEM DESCRIPTION >

[VQ35DE]

ON BOARD DIAGNOSTIC (OBD) SYSTEM

Diagnosis Description

INFOID:000000011939680

This system is an on board diagnostic system that records exhaust emission-related diagnostic information and detects a sensors/actuator-related malfunction. A malfunction is indicated by the malfunction indicator lamp (MIL) and stored in ECU memory as a DTC. The diagnostic information can be obtained with the diagnostic tool (GST: Generic Scan Tool).

GST (Generic Scan Tool)

INFOID:000000011939681

When GST is connected with a data link connector equipped on the vehicle side, it will communicate with the control unit equipped in the vehicle and then enable various kinds of diagnostic tests. Refer to [EC-62. "Diagnosis Description"](#).

NOTE:

Service \$0A is not applied for regions where it is not mandated.

DIAGNOSIS SYSTEM (ECM)

DIAGNOSIS DESCRIPTION

DIAGNOSIS DESCRIPTION : 1st Trip Detection Logic and Two Trip Detection Logic

INFOID:000000011939682

When a malfunction is detected for the first time, 1st trip DTC and 1st trip Freeze Frame data are stored in the ECM memory. The MIL will not illuminate at this stage. <1st trip>

If the same malfunction is detected again during the next drive, the DTC and Freeze Frame data are stored in the ECM memory, and the MIL illuminates. The MIL illuminates at the same time when the DTC is stored. <2nd trip> The "trip" in the "Two Trip Detection Logic" means a driving mode in which self-diagnosis is performed during vehicle operation. Specific on board diagnostic items will cause the ECM to illuminate or blink the MIL, and store DTC and Freeze Frame data, even in the 1st trip, as shown below.

×: Applicable —: Not applicable

Items	MIL				DTC		1st trip DTC	
	1st trip		2nd trip		1st trip displaying	2nd trip displaying	1st trip displaying	2nd trip displaying
	Blinking	Illuminated	Blinking	Illuminated				
Misfire (Possible three way catalyst damage) — DTC: P0300 – P0308 is being detected	×	—	—	—	—	—	×	—
Misfire (Possible three way catalyst damage) — DTC: P0300 – P0308 is being detected	—	—	×	—	—	×	—	—
One trip detection diagnoses (Refer to EC-107, "DTC Index" .)	—	×	—	—	×	—	—	—
Except above	—	—	—	×	—	×	×	—

DIAGNOSIS DESCRIPTION : DTC and Freeze Frame Data

INFOID:000000011939683

DTC AND 1ST TRIP DTC

The 1st trip DTC (whose number is the same as the DTC number) is displayed for the latest self-diagnostic result obtained. If the ECM memory was cleared previously, and the 1st trip DTC did not recur, the 1st trip DTC will not be displayed.

If a malfunction is detected during the 1st trip, the 1st trip DTC is saved in the ECM memory. The MIL will not light up (two trip detection logic). If the same malfunction is not detected in the 2nd trip (meeting the required driving pattern), the 1st trip DTC is cleared from the ECM memory. If the same malfunction is detected in the 2nd trip, both the 1st trip DTC and DTC are saved in the ECM memory and the MIL lights up. In other words, the DTC is stored in the ECM memory and the MIL lights up when the same malfunction occurs in two consecutive trips. If a 1st trip DTC is stored and a non-diagnostic operation is performed between the 1st and 2nd trips, only the 1st trip DTC will continue to be stored. For malfunctions that blink or light up the MIL during the 1st trip, the DTC and 1st trip DTC are stored in the ECM memory.

For malfunctions in which 1st trip DTCs are displayed, refer to [EC-107, "DTC Index"](#). These items are required by legal regulations to continuously monitor the system/component. In addition, the items monitored non-continuously are also displayed on CONSULT.

1st trip DTC is specified in Service \$07 of SAE J1979/ISO 15031-5. 1st trip DTC detection occurs without illuminating the MIL and therefore does not warn the driver of a malfunction.

When a 1st trip DTC is detected, check, print out or write down and erase (1st trip) DTC and Freeze Frame data as specified in Work Flow procedure Step 2, refer to [EC-150, "Work Flow"](#). Then perform DTC Confirmation Procedure or Component Function Check to try to duplicate the malfunction. If the malfunction is duplicated, the item requires repair.

FREEZE FRAME DATA AND 1ST TRIP FREEZE FRAME DATA

The ECM records the driving conditions such as fuel system status, calculated load value, engine coolant temperature, short term fuel trim, long term fuel trim, engine speed, vehicle speed, absolute throttle position, base fuel schedule and intake air temperature at the moment a malfunction is detected.

Data which are stored in the ECM memory, along with the 1st trip DTC, are called 1st trip freeze frame data. The data, stored together with the DTC data, are called freeze frame data and displayed on CONSULT or GST. The 1st trip freeze frame data can only be displayed on the CONSULT screen.

DIAGNOSIS SYSTEM (ECM)

[VQ35DE]

< SYSTEM DESCRIPTION >

Only one set of freeze frame data (either 1st trip freeze frame data or freeze frame data) can be stored in the ECM. 1st trip freeze frame data is stored in the ECM memory along with the 1st trip DTC. There is no priority for 1st trip freeze frame data and it is updated each time a different 1st trip DTC is detected. However, once freeze frame data (2nd trip detection/MIL on) is stored in the ECM memory, 1st trip freeze frame data is no longer stored. Remember, only one set of freeze frame data can be stored in the ECM. The ECM has the following priorities to update the data.

Priority	Items	
1	Freeze frame data	Misfire — DTC: P0300 – P0308 Fuel Injection System Function — DTC: P0171, P0172, P0174, P0175
2		Except the above items
3	1st trip freeze frame data	

For example, the EGR malfunction (Priority: 2) was detected and the freeze frame data was saved in the 2nd trip. After that when the misfire (Priority: 1) is detected in another trip, the freeze frame data will be updated from the EGR malfunction to the misfire. The 1st trip freeze frame data is updated each time a different malfunction is detected. There is no priority for 1st trip freeze frame data. However, once freeze frame data is stored in the ECM memory, 1st trip freeze data is no longer stored (because only one freeze frame data or 1st trip freeze frame data can be stored in the ECM). If freeze frame data is stored in the ECM memory and freeze frame data with the same priority occurs later, the first (original) freeze frame data remains unchanged in the ECM memory.

Both 1st trip freeze frame data and freeze frame data (along with the DTCs) are cleared when the ECM memory is erased.

DIAGNOSIS DESCRIPTION : Counter System

INFOID:000000011939684

RELATIONSHIP BETWEEN MIL, 1ST TRIP DTC, DTC, AND DETECTABLE ITEMS

- When a malfunction is detected for the first time, the 1st trip DTC and the 1st trip freeze frame data are stored in the ECM memory.
- When the same malfunction is detected in two consecutive trips, the DTC and the freeze frame data are stored in the ECM memory, and the MIL will come on.
- The MIL will turn OFF after the vehicle is driven 3 times (driving pattern B) with no malfunction. The drive is counted only when the recorded driving pattern is met (as stored in the ECM). If another malfunction occurs while counting, the counter will reset.
- The DTC and the freeze frame data will be stored until the vehicle is driven 40 times (driving pattern A) without the same malfunction recurring (except for Misfire and Fuel Injection System). For Misfire and Fuel Injection System, the DTC and freeze frame data will be stored until the vehicle is driven 80 times (driving pattern C) without the same malfunction recurring. The “TIME” in “SELF-DIAGNOSTIC RESULTS” mode of CONSULT will count the number of times the vehicle is driven.
- The 1st trip DTC is not displayed when the self-diagnosis results in OK for the 2nd trip.

COUNTER SYSTEM CHART

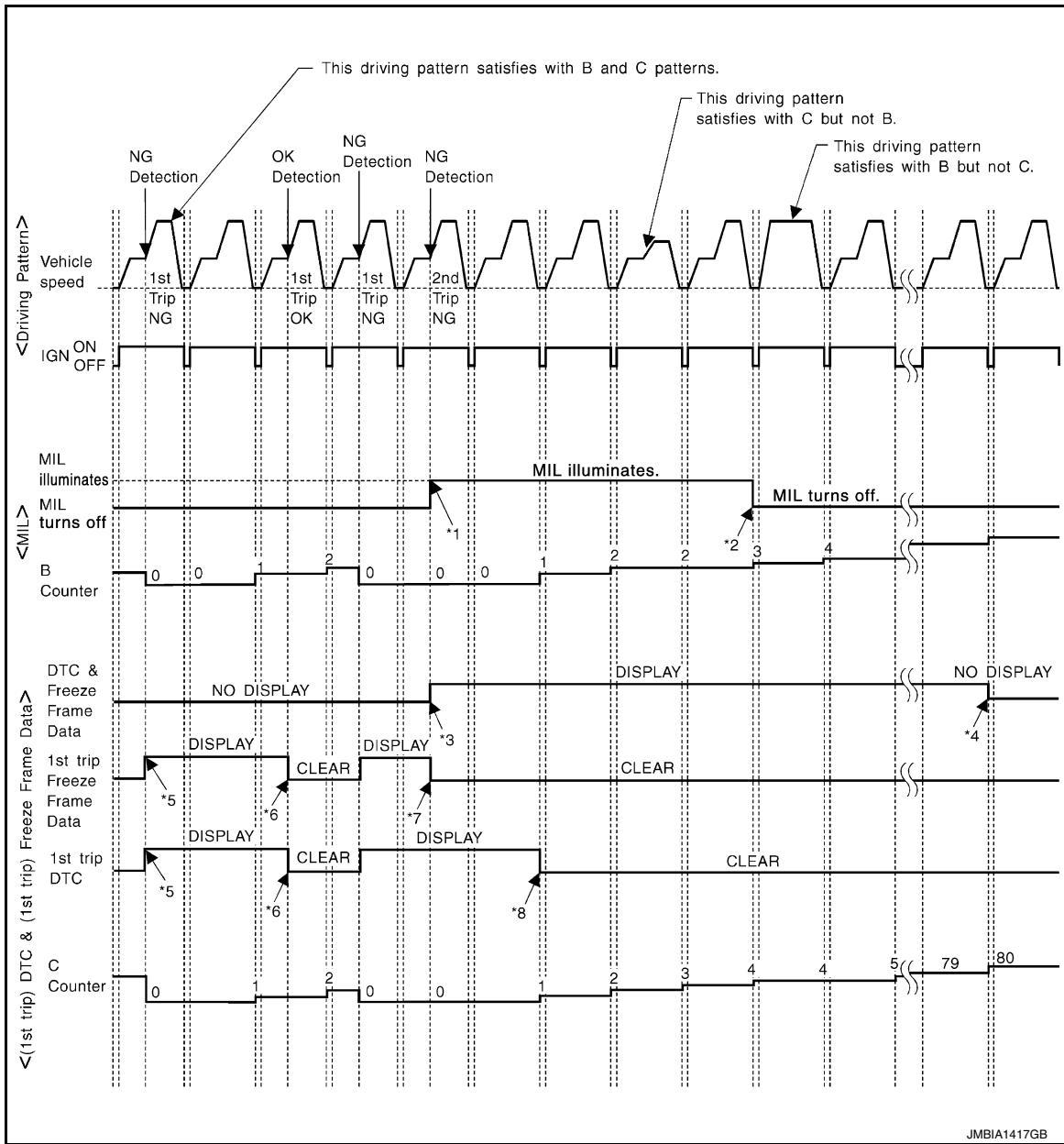
Items	Fuel Injection System	Misfire	Other
MIL (turns OFF)	3 (pattern B)	3 (pattern B)	3 (pattern B)
DTC, Freeze Frame Data (no display)	80 (pattern C)	80 (pattern C)	40 (pattern A)
1st Trip DTC (clear)	1 (pattern C), *1	1 (pattern C), *1	1 (pattern B)
1st Trip Freeze Frame Data (clear)	*1, *2	*1, *2	1 (pattern B)

For details about patterns B and C under “Fuel Injection System” and “Misfire”, see “EXPLANATION FOR DRIVING PATTERNS FOR “MISFIRE <EXHAUST QUALITY DETERIORATION>”, “FUEL INJECTION SYSTEM”.

For details about patterns A and B under Other, see “EXPLANATION FOR DRIVING PATTERNS FOR “MISFIRE <EXHAUST QUALITY DETERIORATION>”, “FUEL INJECTION SYSTEM”.

- *1: Clear timing is at the moment OK is detected.
- *2: Clear timing is when the same malfunction is detected in the 2nd trip.

Relationship Between MIL, DTC, 1st Trip DTC and Driving Patterns for “Misfire <Exhaust Quality Deterioration>”, “Fuel Injection System”



*1: When the same malfunction is detected in two consecutive trips, MIL will light up.

*2: MIL will turn OFF after vehicle is driven 3 times (pattern B) without any malfunctions.

*3: When the same malfunction is detected in two consecutive trips, the DTC and the freeze frame data will be stored in ECM.

*4: The DTC and the freeze frame data will not be displayed any longer after vehicle is driven 80 times (pattern C) without the same malfunction. (The DTC and the freeze frame data still remain in ECM.)

*5: When a malfunction is detected for the first time, the 1st trip DTC and the 1st trip freeze frame data will be stored in ECM.

*6: The 1st trip DTC and the 1st trip freeze frame data will be cleared at the moment OK is detected.

*7: When the same malfunction is detected in the 2nd trip, the 1st trip freeze frame data will be cleared.

*8: 1st trip DTC will be cleared when vehicle is driven once (pattern C) without the same malfunction after DTC is stored in ECM.

Explanation for Driving Patterns for "Misfire <Exhaust Quality Deterioration>", "Fuel Injection System"

Driving Pattern B

Refer to [EC-67. "DIAGNOSIS DESCRIPTION : Driving Pattern"](#).

DIAGNOSIS SYSTEM (ECM)

[VQ35DE]

< SYSTEM DESCRIPTION >

Driving Pattern C

Refer to [EC-67. "DIAGNOSIS DESCRIPTION : Driving Pattern"](#).

Example:

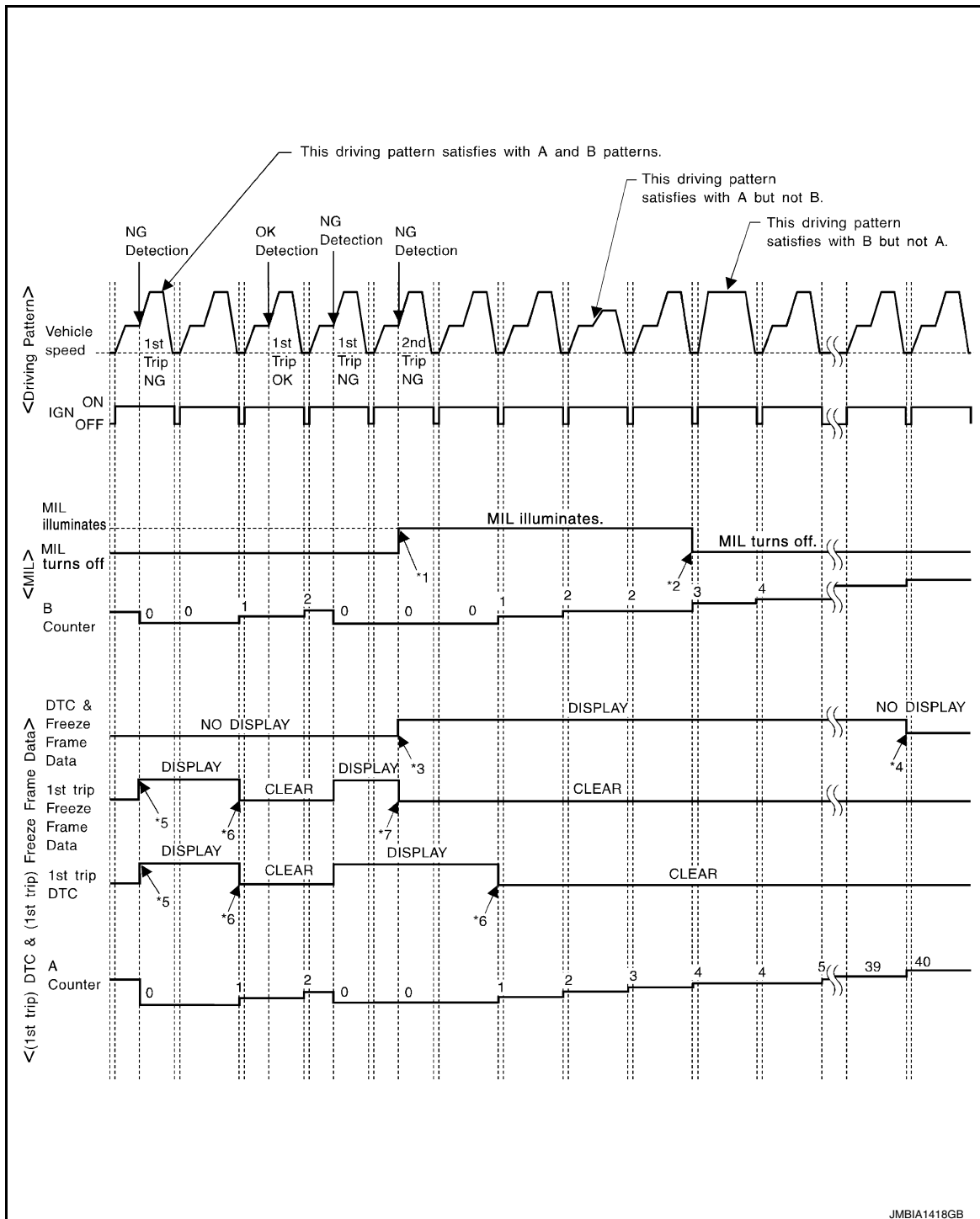
If the stored freeze frame data is as per the following:

Engine speed: 850 rpm, Calculated load value: 30%, Engine coolant temperature: 80°C (176°F)

To be satisfied with driving pattern C, the vehicle should run under the following conditions:

Engine speed: 475 – 1,225 rpm, Calculated load value: 27 – 33%, Engine coolant temperature: more than 70°C (158°F)

Relationship Between MIL, DTC, 1st Trip DTC and Driving Patterns Except For “Misfire <Exhaust Quality Deterioration>”, “Fuel Injection System”



JMBIA1418GB

DIAGNOSIS SYSTEM (ECM)

[VQ35DE]

< SYSTEM DESCRIPTION >

- | | | | |
|--|---|--|----|
| *1: When the same malfunction is detected in two consecutive trips, MIL will light up. | *2: MIL will turn OFF after vehicle is driven 3 times (pattern B) without any malfunctions. | *3: When the same malfunction is detected in two consecutive trips, the DTC and the freeze frame data will be stored in ECM. | A |
| *4: The DTC and the freeze frame data will not be displayed any longer after vehicle is driven 40 times (pattern A) without the same malfunction. (The DTC and the freeze frame data still remain in ECM.) | *5: When a malfunction is detected for the first time, the 1st trip DTC and the 1st trip freeze frame data will be stored in ECM. | *6: 1st trip DTC will be cleared after vehicle is driven once (pattern B) without the same malfunction. | EC |
| *7: When the same malfunction is detected in the 2nd trip, the 1st trip freeze frame data will be cleared. | | | C |
- D

Explanation for Driving Patterns Except for “Misfire <Exhaust Quality Deterioration>”, “Fuel Injection System”

Driving Pattern A

Refer to [EC-67, "DIAGNOSIS DESCRIPTION : Driving Pattern"](#).

Driving Pattern B

Refer to [EC-67, "DIAGNOSIS DESCRIPTION : Driving Pattern"](#).

DIAGNOSIS DESCRIPTION : Driving Pattern

INFOID:000000011939685

CAUTION:

Always drive at a safe speed.

DRIVING PATTERN A

Driving pattern A means a trip satisfying the following conditions.

- Engine speed reaches 400 rpm or more.
- Engine coolant temperature rises by 20°C (36°F) or more after starting the engine.
- Engine coolant temperature reaches 70°C (158°F) or more.
- The ignition switch is turned from ON to OFF.

NOTE:

- When the same malfunction is detected regardless of driving conditions, reset the counter of driving pattern A.
- When the above conditions are satisfied without detecting the same malfunction, reset the counter of driving pattern A.

DRIVING PATTERN B

Driving pattern B means a trip satisfying the following conditions.

- Engine speed reaches 400 rpm or more.
- Engine coolant temperature reaches 70°C (158°F) or more.
- Vehicle speed of 70 – 120 km/h (44 – 75 MPH) is maintained for 60 seconds or more under the control of closed loop.
- Vehicle speed of 30 – 60 km/h (19 – 37 MPH) is maintained for 10 seconds or more under the control of closed loop.
- Under the closed loop control condition, the following state reaches 12 seconds or more in total: Vehicle speed of 4 km/h (2 MPH) or less with idling condition.
- The state of driving at 10 km/h (7 MPH) or more reaches 10 minutes or more in total.
- A lapse of 22 minutes or more after engine start.

NOTE:

- Drive the vehicle at a constant velocity.
- When the same malfunction is detected regardless of driving conditions, reset the counter of driving pattern B.
- When the above conditions are satisfied without detecting the same malfunction, reset the counter of driving pattern B.

DRIVING PATTERN C

Driving pattern C means operating vehicle as per the following:

The following conditions should be satisfied at the same time:

Engine speed: (Engine speed in the freeze frame data) ± 375 rpm

< SYSTEM DESCRIPTION >

Calculated load value: (Calculated load value in the freeze frame data) x (1±0.1) [%]

Engine coolant temperature condition:

- When the freeze frame data shows lower than 70°C (158°F), engine coolant temperature should be lower than 70°C (158°F).
- When the freeze frame data shows higher than or equal to 70°C (158°F), engine coolant temperature should be higher than or equal to 70°C (158°F).

NOTE:

- When the same malfunction is detected regardless of the above vehicle conditions, reset the counter of driving pattern C.
- When the above conditions are satisfied without detecting the same malfunction, reset the counter of driving pattern C.
- The 1st trip DTC will be cleared when C counter is counted once without the same malfunction after DTC is stored in ECM.

DRIVING PATTERN D

Driving pattern D means a trip satisfying the following conditions.

- The state of driving at 40 km/h (25 MPH) reaches 300 seconds or more in total.
- Idle speed lasts 30 seconds or more.
- A lapse of 600 seconds or more after engine start.

NOTE:

- When the same malfunction is detected regardless of driving conditions, reset the counter of driving pattern D.
- When the above conditions are satisfied without detecting the same malfunction, reset the counter of driving pattern D.

DIAGNOSIS DESCRIPTION : System Readiness Test (SRT) Code

INFOID:000000011939686

System Readiness Test (SRT) code is specified in Service \$01 of SAE J1979/ISO 15031-5.

As part of an enhanced emissions test for Inspection & Maintenance (I/M), certain states require the status of SRT be used to indicate whether the ECM has completed self-diagnosis of major emission systems and components. Completion must be verified in order for the emissions inspection to proceed.

If a vehicle is rejected for a State emissions inspection due to one or more SRT items indicating "INCMP", use the information in this Service Manual to set the SRT to "CMPLT".

In most cases the ECM will automatically complete its self-diagnosis cycle during normal usage, and the SRT status will indicate "CMPLT" for each application system. Once set as "CMPLT", the SRT status remains "CMPLT" until the self-diagnosis memory is erased.

Occasionally, certain portions of the self-diagnostic test may not be completed as a result of the customer's normal driving pattern; the SRT will indicate "INCMP" for these items.

NOTE:

The SRT will also indicate "INCMP" if the self-diagnosis memory is erased for any reason or if the ECM memory power supply is interrupted for several hours.

If, during the state emissions inspection, the SRT indicates "CMPLT" for all test items, the inspector will continue with the emissions test. However, if the SRT indicates "INCMP" for one or more of the SRT items the vehicle is returned to the customer untested.

NOTE:

If permanent DTC is stored or MIL illuminates during the state emissions inspection, the vehicle is also returned to the customer untested even though the SRT indicates "CMPLT" for all test items. Therefore, it is important to check SRT ("CMPLT"), DTC (No DTCs) and permanent DTC (NO permanent DTCs) before the inspection.

SRT SET TIMING

SRT is set as "CMPLT" after self-diagnosis has been performed one or more times. Completion of SRT is done regardless of whether the result is OK or NG. The set timing is different between OK and NG results and is shown in the table below.

DIAGNOSIS SYSTEM (ECM)

< SYSTEM DESCRIPTION >

[VQ35DE]

Self-diagnosis result		Example						
		Diagnosis	Ignition cycle					
			← ON →	OFF	← ON →	OFF	← ON →	OFF
All OK	Case 1	P0400	OK (1)	— (1)	OK (2)	— (2)		
		P0402	OK (1)	— (1)	— (1)	OK (2)		
		P1402	OK (1)	OK (2)	— (2)	— (2)		
		SRT of EGR	“CMPLT”	“CMPLT”	“CMPLT”	“CMPLT”		
	Case 2	P0400	OK (1)	— (1)	— (1)	— (1)		
		P0402	— (0)	— (0)	OK (1)	— (1)		
		P1402	OK (1)	OK (2)	— (2)	— (2)		
		SRT of EGR	“INCMP”	“INCMP”	“CMPLT”	“CMPLT”		
NG exists	Case 3	P0400	OK	OK	—	—		
		P0402	—	—	—	—		
		P1402	NG	—	NG	NG (Consecutive NG)		
		(1st trip) DTC	1st trip DTC	—	1st trip DTC	DTC (= MIL ON)		
		SRT of EGR	“INCMP”	“INCMP”	“INCMP”	“CMPLT”		

OK: Self-diagnosis is carried out and the result is OK.

NG: Self-diagnosis is carried out and the result is NG.

—: Self-diagnosis is not carried out.

When all SRT related self-diagnoses show OK results in a single cycle (Ignition OFF-ON-OFF), the SRT will indicate “CMPLT”. → Case 1 above

When all SRT related self-diagnoses show OK results through several different cycles, the SRT will indicate “CMPLT” at the time the respective self-diagnoses have at least one OK result. → Case 2 above

If one or more SRT related self-diagnoses show NG results in 2 consecutive cycles, the SRT will also indicate “CMPLT”. → Case 3 above

The table above shows that the minimum number of cycles for setting SRT as “INCMP” is the number one (1) for each self-diagnosis (Case 1 & 2) or the number two (2) for one of self-diagnoses (Case 3). However, in preparation for the state emissions inspection, it is unnecessary for each self-diagnosis to be executed twice (Case 3) for the following reasons:

- The SRT will indicate “CMPLT” at the time the respective self-diagnoses have one (1) OK result.
- The emissions inspection requires “CMPLT” of the SRT only with OK self-diagnosis results.
- During SRT driving pattern, the 1st trip DTC (NG) is detected prior to “CMPLT” of SRT and the self-diagnosis memory must be erased from the ECM after repair.
- If the 1st trip DTC is erased, all the SRT will indicate “INCMP”.

NOTE:

SRT can be set as “CMPLT” together with the DTC(s). Therefore, DTC check must always be carried out prior to the state emission inspection even though the SRT indicates “CMPLT”.

DIAGNOSIS DESCRIPTION : Permanent Diagnostic Trouble Code (Permanent DTC)

INFOID:000000011939687

Permanent DTC is defined in SAE J1979/ISO 15031-5 Service \$0A.

ECM stores a DTC issuing a command of turning on MIL as a permanent DTC and keeps storing the DTC as a permanent DTC until ECM judges that there is no presence of malfunction.

Permanent DTCs cannot be erased by using the Erase function of CONSULT or Generic Scan Tool (GST) and by disconnecting the battery to shut off power to ECM. This prevents a vehicle from passing the state emission inspection without repairing a malfunctioning part.

When not passing the state emission inspection due to more than one permanent DTC, permanent DTCs should be erased, referring to this manual.

NOTE:

- The important items in state emission inspection are that MIL is not ON, SRT test items are set, and permanent DTCs are not included.
- Permanent DTCs do not apply for regions that permanent DTCs are not regulated by law.

< SYSTEM DESCRIPTION >

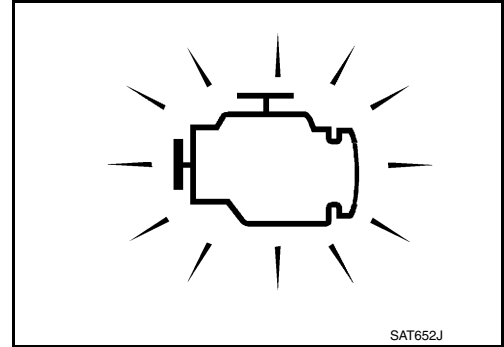
PERMANENT DTC SET TIMING

The setting timing of permanent DTC is stored in ECM with the lighting of MIL when a DTC is confirmed.

DIAGNOSIS DESCRIPTION : Malfunction Indicator Lamp (MIL)

INFOID:000000011939688

- When detecting a DTC that affects exhaust gas, the exhaust emission-related control module transmits a malfunction indicator lamp signal to ECM via CAN communication line. ECM prioritizes (MIL: ON/blink) the signal received from the exhaust emission-related control module and the ECM-stored DTC that affects exhaust gas and transmits a malfunction indicator lamp signal to the combination meter via CAN communication line. The combination meter turns ON or blinks the MIL, according to the signal transmitted from ECM, and alerts the driver of malfunction detection.
- Control modules that a DTC of MIL ON/Blink is stored (Control module varies among DTCs.):
 - ECM
 - TCM



1. The MIL illuminates when ignition switch is turned ON (engine is not running).

NOTE:

Check the MIL circuit if MIL does not illuminate. Refer to [EC-561, "Component Function Check"](#).

2. When the engine is started, the MIL should go off.

NOTE:

If MIL remains ON or continues blinking, a DTC(s) that affects exhaust gas is detected. In this case, Self-diagnosis is required for performing inspection and repair.

On Board Diagnosis Function

INFOID:000000011939689

ON BOARD DIAGNOSIS ITEM

The on board diagnostic system has the following functions.

Diagnostic test mode	Function
Bulb check	MIL can be checked.
SRT status	ECM can read if SRT codes are set.
Malfunction warning	If ECM detects a malfunction, it illuminates or blinks MIL to inform the driver that a malfunction has been detected.
Self-diagnostic results	DTCs or 1st trip DTCs stored in ECM can be read.
Accelerator pedal released position learning	ECM can learn the accelerator pedal released position. Refer to EC-158, "Description" .
Throttle valve closed position learning	ECM can learn the throttle valve closed position. Refer to EC-159, "Description" .
Idle air volume learning	ECM can learn the idle air volume. Refer to EC-160, "Description" .
Mixture ratio self-learning value clear	Mixture ratio self-learning value can be erased. Refer to EC-162, "Description" .

BULB CHECK MODE

Description

This function allows damage inspection in the MIL bulb (blown, open circuit, etc.).

Operation Procedure

1. Turn ignition switch ON.
2. The MIL on the instrument panel should stay ON.
If it remains OFF, check MIL circuit. Refer to [EC-561, "Diagnosis Procedure"](#).

SRT STATUS MODE

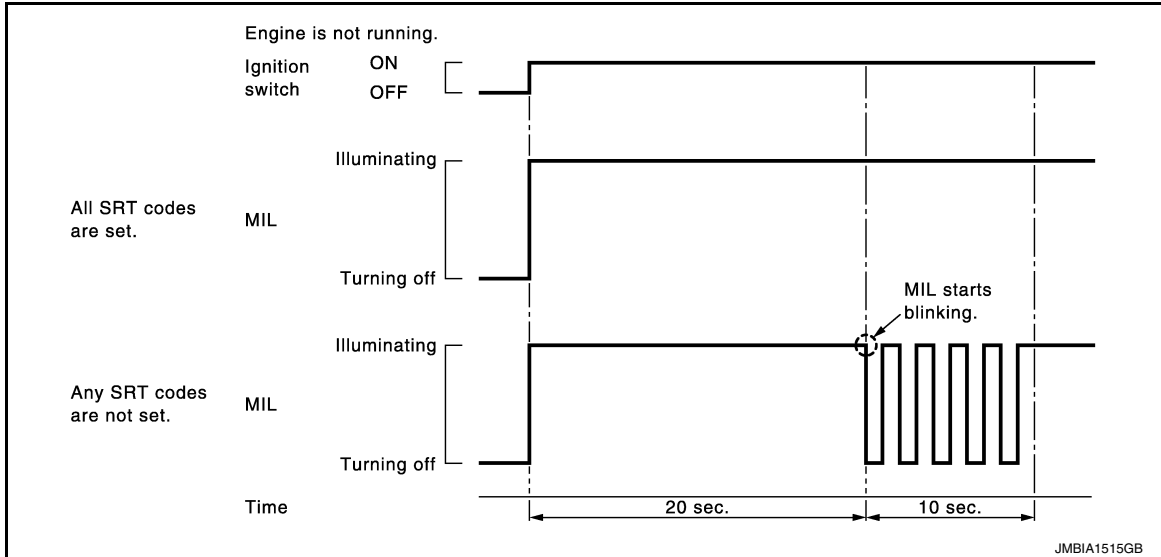
Description

< SYSTEM DESCRIPTION >

This function allows to read if ECM has completed the self-diagnoses of major emission control systems and components. For SRT, refer to [EC-68, "DIAGNOSIS DESCRIPTION : System Readiness Test \(SRT\) Code"](#).

Operation Procedure

1. Turn ignition switch ON and wait 20 seconds.
2. SRT status is indicated as shown blow.
 - ECM continues to illuminate MIL if all SRT codes are set.
 - ECM blinks MIL for about 10 seconds if all SRT codes are not set.



MALFUNCTION WARNING MODE

Description

In this function ECM turns on or blinks MIL when it detects a malfunction in the emission control system components and/or the powertrain control components (which affect vehicle emissions) to inform the driver that a malfunction has been detected.

Operation Procedure

1. Turn ignition switch ON.
2. Check that MIL illuminates.
If it remains OFF, check MIL circuit. Refer to [EC-561, "Diagnosis Procedure"](#).
3. Start engine and let it idle.
 - For two trip detection logic diagnoses, ECM turns on MIL when it detects the same malfunction twice in the two consecutive driving cycles.
 - For 1st trip detection logic diagnoses, ECM turns on MIL when it detects a malfunction in one driving cycle.
 - ECM blinks MIL when it detects a malfunction that may damage the three way catalyst (misfire).

SELF-DIAGNOSTIC RESULTS MODE

Description

This function allows to indicate DTCs or 1st trip DTCs stored in ECM according to the number of times MIL is blinking.

How to Set Self-diagnostic Results Mode

NOTE:

- It is better to count the time accurately with a clock.
- It is impossible to switch the diagnostic mode when an accelerator pedal position sensor circuit has a malfunction.
- After ignition switch is turned off, ECM is always released from the "self-diagnostic results" mode.

1. Confirm that accelerator pedal is fully released, turn ignition switch ON and wait 3 seconds.
2. Repeat the following procedure quickly five times within 5 seconds.
 - Fully depress the accelerator pedal.
 - Fully release the accelerator pedal.

DIAGNOSIS SYSTEM (ECM)

[VQ35DE]

< SYSTEM DESCRIPTION >

- Wait 7 seconds, fully depress the accelerator pedal and keep it depressed for approx. 10 seconds until the MIL starts blinking.

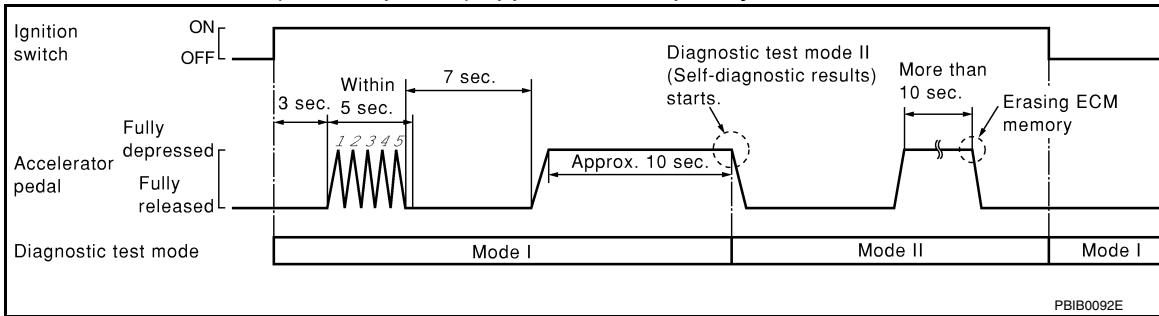
NOTE:

Do not release the accelerator pedal for 10 seconds if MIL starts blinking during this period. This blinking is displaying SRT status and is continued for another 10 seconds.

- Fully release the accelerator pedal.
ECM has entered to "Self-diagnostic results" mode.

NOTE:

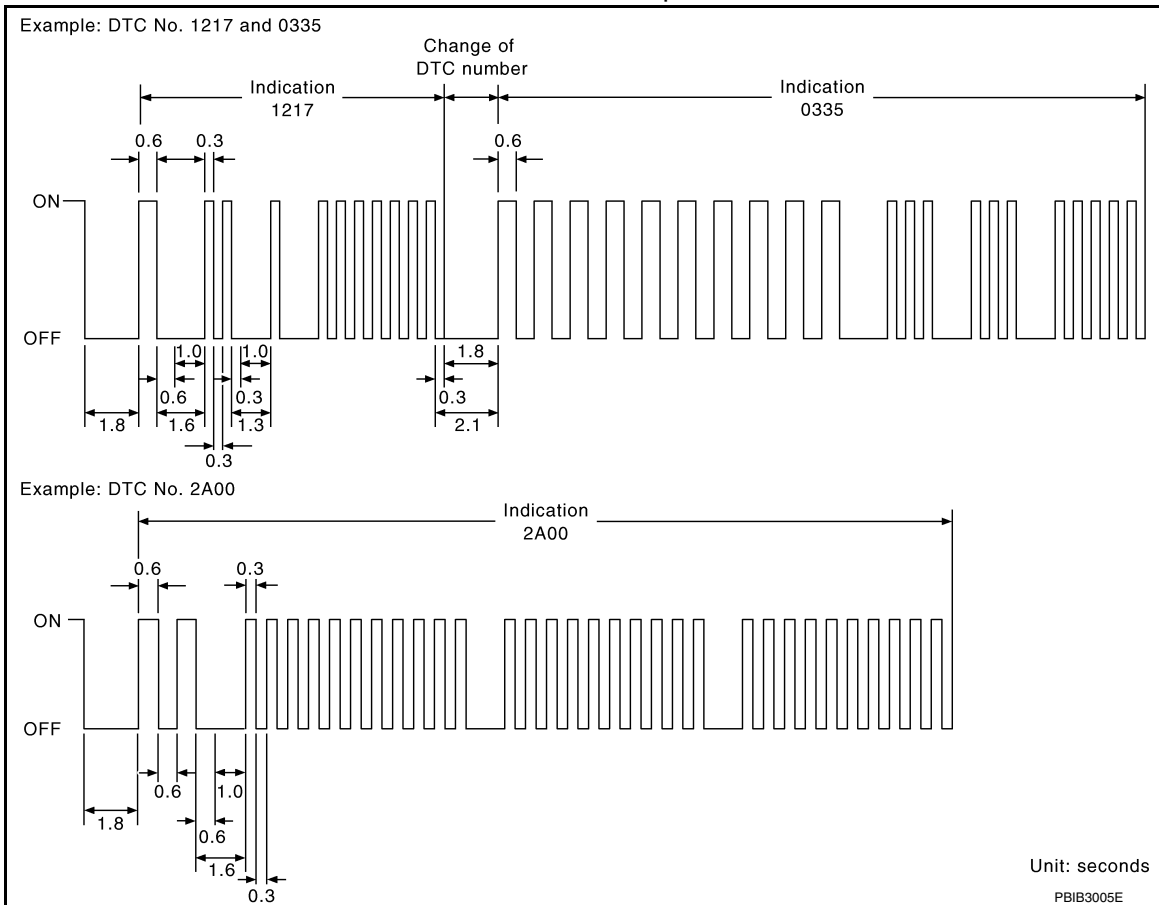
Wait until the same DTC (or 1st trip DTC) appears to completely confirm all DTCs.



How to Read Self-diagnostic Results

The DTC and 1st trip DTC are indicated by the number of blinks of the MIL as shown below.

The DTC and 1st trip DTC are displayed at the same time. If the MIL does not illuminate in diagnostic test mode I (Malfunction warning), all displayed items are 1st trip DTCs. If only one code is displayed when the MIL illuminates in "malfunction warning" mode, it is a DTC; if two or more codes are displayed, they may be either DTCs or 1st trip DTCs. DTC No. is same as that of 1st trip DTC. These unidentified codes can be identified by using the CONSULT or GST. A DTC will be used as an example for how to read a code.



A particular trouble code can be identified by the number of four-digit numeral flashes per the following.

Number	0	1	2	3	4	5	6	7	8	9	A	B	C	D	E	F
Flashes	10	1	2	3	4	5	6	7	8	9	11	12	13	14	15	16

DIAGNOSIS SYSTEM (ECM)

[VQ35DE]

< SYSTEM DESCRIPTION >

The length of time the 1,000th-digit numeral flashes on and off is 1.2 seconds consisting of an ON (0.6-seconds) - OFF (0.6-seconds) cycle.

The 100th-digit numeral and lower digit numerals consist of a 0.3-seconds ON and 0.3-seconds OFF cycle. A change from one digit numeral to another occurs at an interval of 1.0-second OFF. In other words, the later numeral appears on the display 1.3 seconds after the former numeral has disappeared.

A change from one trouble code to another occurs at an interval of 1.8-seconds OFF.

In this way, all the detected malfunctions are classified by their DTC numbers. The DTC 0000 refers to no malfunction. Refer to [EC-107, "DTC Index"](#).

How to Erase Self-diagnostic Results

By performing this procedure, ECM memory is erased and the following diagnostic information is erased as well.

- Diagnostic trouble codes
- 1st trip diagnostic trouble codes
- Freeze frame data
- 1st trip freeze frame data
- System readiness test (SRT) codes
- Test values

NOTE:

Also, if a battery terminal is disconnected, ECM memory is erased and the diagnostic information as listed above is erased. (The amount of time required for erasing may vary from a few seconds to several hours.)

1. Turn ignition switch OFF and wait at least 10 seconds.
2. Turn ignition switch ON.
3. Turn ignition switch OFF and wait at least 10 seconds.
4. Turn ignition switch ON.
5. Set ECM in "self-diagnostic results" mode.
6. The diagnostic information has been erased from the backup memory in the ECM. Fully depress the accelerator pedal and keep it depressed for more than 10 seconds.
7. Fully release the accelerator pedal, and confirm the DTC 0000 is displayed.

CONSULT Function

INFOID:0000000011939690

FUNCTION

Diagnostic test mode	Function
Self Diagnostic Result	Self-diagnostic results such as 1st trip DTC, DTCs and 1st trip freeze frame data or freeze frame data can be read and erased quickly.*
Data Monitor	Input/Output data in the ECM can be read.
Work support	This mode enables a technician to adjust some devices faster and more accurately by following the indications on the CONSULT unit.
Active Test	Diagnostic Test Mode in which CONSULT drives some actuators apart from the ECMs and also shifts some parameters in a specified range.
ECU Identification	ECM part number can be read.
DTC Work Support	The status of system monitoring tests and the self-diagnosis status/results can be confirmed.

*: The following emission-related diagnostic information is cleared when the ECM memory is erased.

- Diagnostic trouble codes
- 1st trip diagnostic trouble codes
- Freeze frame data
- 1st trip freeze frame data
- System readiness test (SRT) codes
- Test values

SELF DIAGNOSTIC RESULT MODE

Self Diagnostic Item

Regarding items of DTC and 1st trip DTC, refer to [EC-107, "DTC Index"](#).

How to Read DTC and 1st Trip DTC

DIAGNOSIS SYSTEM (ECM)

[VQ35DE]

< SYSTEM DESCRIPTION >

DTCs and 1st trip DTCs related to the malfunction are displayed in “self-diag results”.

- When ECM detects a 1st trip DTC, 1t is displayed for “TIME”.
- When ECM has detected a current DTC, “0” is displayed for “TIME”.
- If “TIME” is neither “0” nor “1t”, the DTC occurred in the past and ECM shows the number of times the vehicle has been driven since the last detection of the DTC.

How to Erase DTC and 1st Trip DTC

NOTE:

If the ignition switch stays ON after repair work, be sure to turn ignition switch OFF once. Wait at least 10 seconds and then turn it ON (engine stopped) again.

Freeze Frame Data and 1st Trip Freeze Frame Data

Freeze frame data item*	Description
DIAG TROUBLE CODE [PXXXX]	The engine control component part/control system has a trouble code that is displayed as PXXXX. (Refer to EC-107, "DTC Index" .)
FUEL SYS-B1	<ul style="list-style-type: none"> • “Fuel injection system status” at the moment a malfunction is detected is displayed. • One of the following mode is displayed. Mode2: Open loop due to detected system malfunction Mode3: Open loop due to driving conditions (power enrichment, deceleration enrichment) Mode4: Closed loop - using oxygen sensor(s) as feedback for fuel control Mode5: Open loop - has not yet satisfied condition to go to closed loop
FUEL SYS-B2	
COMBUST CONDITION	These items are displayed but are not applicable to this model.
CAL/LD VALUE [%]	The calculated load value at the moment a malfunction is detected is displayed.
COOLANT TEMP [°C] or [°F]	The engine coolant temperature at the moment a malfunction is detected is displayed.
L-FUEL TRM-B1 [%]	<ul style="list-style-type: none"> • “Long-term fuel trim” at the moment a malfunction is detected is displayed. • The long-term fuel trim indicates much more gradual feedback compensation to the base fuel schedule than short-term fuel trim.
L-FUEL TRM-B2 [%]	
S-FUEL TRM-B1 [%]	<ul style="list-style-type: none"> • “Short-term fuel trim” at the moment a malfunction is detected is displayed. • The short-term fuel trim indicates dynamic or instantaneous feedback compensation to the base fuel schedule.
S-FUEL TRM-B2 [%]	
ENGINE SPEED [rpm]	The engine speed at the moment a malfunction is detected is displayed.
VEHICL SPEED [km/h] or [mph]	The vehicle speed at the moment a malfunction is detected is displayed.
INT MANI PRES [kPa]	These items are displayed but are not applicable to this model.
ABSOL TH-P/S [%]	The throttle valve opening angle at the moment a malfunction is detected is displayed.
B/FUEL SCHDL [msec]	The base fuel schedule at the moment a malfunction is detected is displayed.
INT/A TEMP SE [°C] or [°F]	The intake air temperature at the moment a malfunction is detected is displayed.

*: The items are the same as those of 1st trip freeze frame data.

DATA MONITOR MODE

NOTE:

The following table includes information (items) inapplicable to this vehicle. For information (items) applicable to this vehicle, refer to CONSULT display items.

Monitored Item

For reference values of the following items, refer to [EC-86, "Reference Value"](#).

DIAGNOSIS SYSTEM (ECM)

< SYSTEM DESCRIPTION >

[VQ35DE]

×: Applicable

Monitored item	Unit	Monitor Item Selection		Description	Remarks
		ECU IN-PUT SIG-NALS	MAIN-SIG-NALS		
ENG SPEED	rpm	×	×	Indicates the engine speed computed from the signal of the crankshaft position sensor (POS) and camshaft position sensor (PHASE).	<ul style="list-style-type: none"> Accuracy becomes poor if engine speed drops below the idle rpm. If the signal is interrupted while the engine is running, an abnormal value may be indicated.
B/FUEL SCHDL	ms	×	×	"Base fuel schedule" indicates the fuel injection pulse width programmed into ECM, prior to any learned on board correction.	<ul style="list-style-type: none"> When engine is running, specification range is indicated in "SPEC".
A/F ALPHA-B1	%		×	The mean value of the air-fuel ratio feedback correction factor per cycle is indicated.	<ul style="list-style-type: none"> When the engine is stopped, a certain value is indicated. This data also includes the data for the air-fuel ratio learning control. When engine is running, specification range is indicated in "SPEC".
A/F ALPHA-B2	%		×		
COOLANT TEMP/S	°C or °F	×	×	The engine coolant temperature (determined by the signal voltage of the engine coolant temperature sensor) is displayed.	When the engine coolant temperature sensor is open or short-circuited, ECM enters fail-safe mode. The engine coolant temperature determined by the ECM is displayed.
A/F SEN1 (B1)	V	×	×	The A/F signal computed from the input signal of the air fuel ratio (A/F) sensor 1 is displayed.	
HO2S2 (B1)	V	×	×	The signal voltage of the heated oxygen sensor 2 is displayed.	
HO2S2 (B2)	V	×	×		
HO2S2 MNTR(B1)	RICH/LEAN		×	Display of heated oxygen sensor 2 signal:	When the engine is stopped, a certain value is indicated.
HO2S2 MNTR(B2)	RICH/LEAN		×	<ul style="list-style-type: none"> RICH: means the amount of oxygen after three way catalyst is relatively small. LEAN: means the amount of oxygen after three way catalyst is relatively large. 	
VHCL SPEED SE	km/h or mph	×	×	The vehicle speed computed from the vehicle speed signal sent from combination meter is displayed.	
BATTERY VOLT	V	×	×	The power supply voltage of ECM is displayed.	
ACCEL SEN 1	V	×	×	The accelerator pedal position sensor signal voltage is displayed.	ACCEL SEN 2 signal is converted by ECM internally. Thus, it differs from ECM terminal voltage signal.
ACCEL SEN 2	V	×			
TP SEN 1-B1	V	×	×	The throttle position sensor signal voltage is displayed.	TP SEN 2-B1 signal is converted by ECM internally. Thus, it differs from ECM terminal voltage signal.
TP SEN 2-B1	V	×	×		
FUEL T/TMP SE	°C or °F	×		The fuel temperature (determined by the signal voltage of the fuel tank temperature sensor) is displayed.	
EVAP SYS PRES	V	×		The signal voltage of EVAP control system pressure sensor is displayed.	

A

EC

C

D

E

F

G

H

I

J

K

L

M

N

O

P

DIAGNOSIS SYSTEM (ECM)

< SYSTEM DESCRIPTION >

[VQ35DE]

Monitored item	Unit	Monitor Item Selection		Description	Remarks
		ECU IN-PUT SIG-NALS	MAIN-SIG-NALS		
FUEL LEVEL SE	V	×		The signal voltage of the fuel level sensor is displayed.	
START SIGNAL	On/Off	×	×	Indicates start signal status [On/Off] computed by the ECM according to the signals of engine speed and battery voltage.	After starting the engine, [Off] is displayed regardless of the starter signal.
CLSD THL POS	On/Off	×	×	Indicates idle position [On/Off] computed by ECM according to the accelerator pedal position sensor signal.	
AIR COND SIG	On/Off	×	×	Indicates [On/Off] condition of the air conditioner switch as determined by the air conditioner signal.	
PW/ST SIGNAL	On/Off	×	×	[On/Off] condition of the power steering system (determined by the signal voltage of the power steering pressure sensor) is indicated.	
LOAD SIGNAL	On/Off	×	×	Indicates [On/Off] condition from the electrical load signal. <ul style="list-style-type: none"> • On: Rear window defogger switch is ON and/or lighting switch is in 2nd position. • Off: Both rear window defogger switch and lighting switch are OFF. 	
IGNITION SW	On/Off	×	×	Indicates [On/Off] condition from ignition switch signal.	
HEATER FAN SW	On/Off	×		Indicates [On/Off] condition from the heater fan switch signal.	
BRAKE SW	On/Off	×		Indicates [On/Off] condition from the stop lamp switch signal.	
INJ PULSE-B1	msec		×	Indicates the actual fuel injection pulse width compensated by ECM according to the input signals.	When the engine is stopped, a certain computed value is indicated.
INJ PULSE-B2	msec				
IGN TIMING	BTDC		×	Indicates the ignition timing computed by ECM according to the input signals.	When the engine is stopped, a certain value is indicated.
CAL/LD VALUE	%			"Calculated load value" indicates the value of the current air flow divided by peak air flow.	
MASS AIRFLOW	g/s			Indicates the mass air flow computed by ECM according to the signal voltage of the mass air flow sensor.	
PURG VOL C/V	%			<ul style="list-style-type: none"> • Indicates the EVAP canister purge volume control solenoid valve control value computed by the ECM according to the input signals. • The opening becomes larger as the value increases. 	
INT/V TIM (B1)	°CA	×		Indicates [°CA] of intake camshaft advance angle.	
INT/V TIM (B2)	°CA	×	×		

DIAGNOSIS SYSTEM (ECM)

< SYSTEM DESCRIPTION >

[VQ35DE]

Monitored item	Unit	Monitor Item Selection		Description	Remarks
		ECU INPUT SIGNALS	MAIN-SIGNALS		
INT/V SOL(B1)	%		×	<ul style="list-style-type: none"> The control value of the intake valve timing control solenoid valve (determined by ECM according to the input signals) is indicated. The advance angle becomes larger as the value increases. 	A
INT/V SOL(B2)	%		×		C
VIAS S/V-1	On/Off		×	The control condition of the VIAS control solenoid valve 1 (determined by ECM according to the input signals) is indicated. <ul style="list-style-type: none"> On: VIAS control solenoid valve 1 is operating. Off: VIAS control solenoid valve 1 is not operating. 	D
AIR COND RLY	On/Off		×	The air conditioner relay control condition (determined by ECM according to the input signals) is indicated.	E
ENGINE MOUNT	IDLE/TRVL			The control condition of the electronic controlled engine mount (determined by ECM according to the input signals) is indicated. <ul style="list-style-type: none"> IDLE: Engine speed is below 950 rpm TRVL: Engine speed is above 950 rpm 	F
FUEL PUMP RLY	On/Off		×	Indicates the fuel pump relay control condition determined by ECM according to the input signals.	G
VENT CONT/V	On/Off			The control condition of the EVAP canister vent control valve (determined by ECM according to the input signals) is indicated. <ul style="list-style-type: none"> On: Closed Off: Open 	H
THRTL RELAY	On/Off		×	Indicates the throttle control motor relay control condition determined by the ECM according to the input signals.	I
A/F S1 HTR(B2)	%		×	<ul style="list-style-type: none"> Air fuel ratio (A/F) sensor 1 heater control value computed by ECM according to the input signals. The current flow to the heater becomes larger as the value increases. 	J
HO2S2 HTR (B1)	On/Off			Indicates [On/Off] condition of heated oxygen sensor 2 heater determined by ECM according to the input signals.	K
HO2S2 HTR (B2)	On/Off				L
I/P PULLY SPD	rpm	×		Indicates the engine speed computed from the input speed sensor signal.	M
VEHICLE SPEED	km/h or mph	×		The vehicle speed computed from the vehicle speed signal sent from TCM is displayed.	N

EC

DIAGNOSIS SYSTEM (ECM)

< SYSTEM DESCRIPTION >

[VQ35DE]

Monitored item	Unit	Monitor Item Selection		Description	Remarks
		ECU IN-PUT SIGNALS	MAIN-SIGNALS		
IDL A/V LEARN	Yet/CM-PLT			Displays the condition of idle air volume learning <ul style="list-style-type: none"> • Yet: Idle Air Volume Learning has not been performed yet. • CMPLT: Idle Air Volume Learning has already been performed successfully. 	
TRVL AFTER MIL	km or mile			Distance traveled while MIL is activated.	
ENG OIL TEMP	°C or °F	×		The engine oil temperature (determined by the signal voltage of the engine oil temperature sensor) is displayed.	
A/F S1 HTR(B1)	%		×	<ul style="list-style-type: none"> • Air fuel ratio (A/F) sensor 1 heater control value computed by ECM according to the input signals. • The current flow to the heater becomes larger as the value increases. 	
VHCL SPEED SE	km/h or mph			The vehicle speed computed from the vehicle speed signal sent from combination meter is displayed.	
SET VHCL SPD	km/h or mph	×		<ul style="list-style-type: none"> • The preset vehicle speed is displayed. 	
MAIN SW	On/Off	×		Indicates [On/Off] condition from MAIN switch signal.	
CANCEL SW	On/Off	×		Indicates [On/Off] condition from CANCEL switch signal.	
RESUME/ACC SW	On/Off	×		Indicates [On/Off] condition from RESUME/ACCELERATE switch signal.	
SET SW	On/Off	×		Indicates [On/Off] condition from SET/COAST switch signal.	
BRAKE SW1	On/Off	×		Indicates [On/Off] condition from Brake pedal position switch signal or ASCD clutch switch.	
BRAKE SW2	On/Off	×		Indicates [On/Off] condition of stop lamp switch signal.	
VHCL SPD CUT	Non/CUT			<ul style="list-style-type: none"> • Indicates the vehicle cruise condition. NON: Vehicle speed is maintained at the ASCD set speed. CUT: Vehicle speed decreased to excessively low compared with the ASCD set speed, and ASCD operation is cut off. 	

DIAGNOSIS SYSTEM (ECM)

< SYSTEM DESCRIPTION >

[VQ35DE]

Monitored item	Unit	Monitor Item Selection		Description	Remarks
		ECU INPUT SIGNALS	MAIN-SIGNALS		
LO SPEED CUT	Non/CUT			<ul style="list-style-type: none"> Indicates the vehicle cruise condition. NON: Vehicle speed is maintained at the ASCD set speed. CUT: Vehicle speed decreased to excessively low, and ASCD operation is cut off. 	
AT OD MONITOR	On/Off			<ul style="list-style-type: none"> Indicates [On/Off] condition of CVT O/D according to the input signal from the TCM. 	
AT OD CANCEL	On/Off			<ul style="list-style-type: none"> Indicates [On/Off] condition of CVT O/D cancel request signal. 	
CRUISE LAMP	On/Off			Indicates [On/Off] condition of CRUISE lamp determined by the ECM according to the input signals.	
SET LAMP	On/Off			<ul style="list-style-type: none"> Indicates [On/Off] condition of SET lamp determined by the ECM according to the input signals. 	
VIAS S/V-2	On/Off			<p>The control condition of the VIAS control solenoid valve 2 (determined by ECM according to the input signals) is indicated.</p> <ul style="list-style-type: none"> On: VIAS control solenoid valve 2 is operating. Off: VIAS control solenoid valve 2 is not operating. 	
COOLING FAN	HI/MID/LOW/OFF			<ul style="list-style-type: none"> The control condition of the cooling fan (determined by ECM according to the input signals) is indicated. HI: High speed operation MID: Middle speed operation LOW: Low speed operation OFF: Stop 	
A/F ADJ-B1	—			Indicates the correction of a factor stored in ECM. The factor is calculated from the difference between the target air-fuel ratio stored in ECM and the air-fuel ratio calculated from A/F sensor 1 signal.	
A/F ADJ-B2	—				
P/N POSI SW	On/Off	×	×	Indicates [On/Off] condition from the park/neutral position (PNP) signal.	
INT/A TEMP SE	°C or °F	×	×	The intake air temperature (determined by the signal voltage of the intake air temperature sensor) is indicated.	
AC PRESS SEN	V	×		The signal voltage from the refrigerant pressure sensor is displayed.	
A/F SEN1 (B2)	V	×	×	The A/F signal computed from the input signal of the air fuel ratio (A/F) sensor 1 is displayed.	

A
EC

C
D

E
F

G
H

I
J

K
L

M
N

O
P

DIAGNOSIS SYSTEM (ECM)

< SYSTEM DESCRIPTION >

[VQ35DE]

Monitored item	Unit	Monitor Item Selection		Description	Remarks
		ECU IN-PUT SIG-NALS	MAIN-SIG-NALS		
EVAP LEAK DIAG	Yet/CM-PLT			Indicates the condition of EVAP leak diagnosis. <ul style="list-style-type: none"> • YET: EVAP leak diagnosis has not been performed yet. • CMPLT: EVAP leak diagnosis has been performed successfully. 	
EVAP DIAG READY	On/Off			Indicates the ready condition of EVAP leak diagnosis. <ul style="list-style-type: none"> • On: Diagnosis has been ready condition. • Off: Diagnosis has not been ready condition. 	
BAT TEMP SEN	V	×		The signal voltage from the battery temperature sensor is displayed.	
THRTL STK CNT B1*	—			—	
HO2 S2 DIAG1(B2)	INCMP/CMPLT			Indicates DTC P0139 self-diagnosis (delayed response) condition. <ul style="list-style-type: none"> • INCMP: Self-diagnosis is incomplete. • CMPLT: Self-diagnosis is complete. 	
A/F SEN1 DIAG1(B2)	INCMP/CMPLT			Indicates DTC P015C or P015D self-diagnosis condition. <ul style="list-style-type: none"> • INCMP: Self-diagnosis is incomplete. • CMPLT: Self-diagnosis is complete. 	
A/F SEN1 DIAG1(B1)	INCMP/CMPLT			Indicates DTC P015A or P015B self-diagnosis condition. <ul style="list-style-type: none"> • INCMP: Self-diagnosis is incomplete. • CMPLT: Self-diagnosis is complete. 	
A/F SEN1 DIAG2(B2)	INCMP/CMPLT			Indicates DTC P014E or P014F self-diagnosis condition. <ul style="list-style-type: none"> • INCMP: Self-diagnosis is incomplete. • CMPLT: Self-diagnosis is complete. 	
A/F SEN1 DIAG2(B1)	INCMP/CMPLT			Indicates DTC P014C or P014D self-diagnosis condition. <ul style="list-style-type: none"> • INCMP: Self-diagnosis is incomplete. • CMPLT: Self-diagnosis is complete. 	
A/F SEN1 DIAG3(B2)	ABSNT/PRSNT			Indicates DTC P014E, P014F, P015C or P015D self-diagnosis condition. <ul style="list-style-type: none"> • ABSNT: The vehicle condition is not within the diagnosis range. • PRSNT: The vehicle condition is within the diagnosis range. 	

DIAGNOSIS SYSTEM (ECM)

< SYSTEM DESCRIPTION >

[VQ35DE]

Monitored item	Unit	Monitor Item Selection		Description	Remarks
		ECU INPUT SIGNALS	MAIN-SIGNALS		
A/F SEN1 DIAG3(B1)	ABSNT/ PRSNT			Indicates DTC P014C, P014D, P015A or P015B self-diagnosis condition. <ul style="list-style-type: none"> • ABSNT: The vehicle condition is not within the diagnosis range. • PRSNT: The vehicle condition is within the diagnosis range. 	
HO2 S2 DIAG2(B2)	INCMP/ CMPLT			Indicates DTC P0139 self-diagnosis (slow response) condition. <ul style="list-style-type: none"> • INCMP: Self-diagnosis is incomplete. • CMPLT: Self-diagnosis is complete. 	
HO2 S2 DIAG2(B1)	INCMP/ CMPLT			Indicates DTC P0139 self-diagnosis (slow response) condition. <ul style="list-style-type: none"> • INCMP: Self-diagnosis is incomplete. • CMPLT: Self-diagnosis is complete. 	
EOP SENSOR	mV	×		The signal voltage of EOP sensor is displayed.	
HO2 S2 DIAG1(B1)	INCMP/ CMPLT			Indicates DTC P0139 self-diagnosis (delayed response) condition. <ul style="list-style-type: none"> • INCMP: Self-diagnosis is incomplete. • CMPLT: Self-diagnosis is complete. 	
MASS AIR FLOW SENSOR (Hz)	Hz	×		The signal frequency of the mass air flow sensor is displayed.	
EXH/V TIM B1	°CA	×	×	Indicates [°CA] of exhaust camshaft advance angle.	
EXH/V TIM B2	°CA	×	×		
VTC DTY EX B1	%			—	
VTC DTY EX B2	%			—	
A/F-S ATMSPHRC CRCT B1	—			Displays a determined value of atmospheric correction factor necessary for correcting an A/F sensor signal input to ECM. The signal used for the correction is an A/F sensor signal transmitted while driving under atmospheric pressure.	
A/F-S ATMSPHRC CRCT B2	—			Displays a determined value of atmospheric correction factor necessary for correcting an A/F sensor signal input to ECM. The signal used for the correction is an A/F sensor signal transmitted while driving under atmospheric pressure.	
A/F-S ATMSPHRC CRCT UP B1	count			Displays the number of updates of the A/F sensor atmospheric correction factor.	

A

EC

C

D

E

F

G

H

I

J

K

L

M

N

O

P

DIAGNOSIS SYSTEM (ECM)

< SYSTEM DESCRIPTION >

[VQ35DE]

Monitored item	Unit	Monitor Item Selection		Description	Remarks
		ECU IN-PUT SIG-NALS	MAIN-SIG-NALS		
A/F-S ATMSPHRC CRCT UP B2	count			Displays the number of updates of the A/F sensor atmospheric correction factor.	
SYSTEM 1 DIAGNOSIS A B2	INCMP/CMPLT			<ul style="list-style-type: none"> • Indicates DTC P219B self-diagnosis condition. - INCMP: Self-diagnosis is incomplete. - CMPLT: Self-diagnosis is complete. 	
SYSTEM 1 DIAGNOSIS A B1	INCMP/CMPLT			<ul style="list-style-type: none"> • Indicates DTC P219A self-diagnosis condition. - INCMP: Self-diagnosis is incomplete. - CMPLT: Self-diagnosis is complete. 	
SYSTEM 1 DIAGNOSIS B B2	ABSNT/PRSNT			<ul style="list-style-type: none"> • Indicates DTC P219B self-diagnosis condition. - ABSNT: Self-diagnosis standby - PRSNT: Under self-diagnosis 	
SYSTEM 1 DIAGNOSIS B B1	ABSNT/PRSNT			<ul style="list-style-type: none"> • Indicates DTC P219A self-diagnosis condition. - ABSNT: Self-diagnosis standby - PRSNT: Under self-diagnosis 	

*: The item is indicated, but not used

NOTE:

Any monitored item that does not match the vehicle being diagnosed is deleted from the display automatically.

WORK SUPPORT MODE

Work Item

WORK ITEM	CONDITION	USAGE
IDLE AIR VOL LEARN	The idle air volume that keeps the engine within the specified range is memorized in ECM.	When learning the idle air volume
EVAP SYSTEM CLOSE	Close the EVAP canister vent control valve in order to make EVAP system close under the following conditions. <ul style="list-style-type: none"> • Ignition switch ON • Engine not running • Ambient temperature is above 0°C (32°F). • No vacuum and no high pressure in EVAP system • Fuel tank temperature is more than 0°C (32°F). • Within 10 minutes after starting "EVAP SYSTEM CLOSE" • When trying to execute "EVAP SYSTEM CLOSE" under the condition except above, CONSULT will discontinue it and display appropriate instruction. <p>NOTE: When starting engine, CONSULT may display "BATTERY VOLTAGE IS LOW. CHARGE BATTERY", even in using charged battery.</p>	When detecting EVAP vapor leakage in the EVAP system
FUEL PRESSURE RELEASE	Fuel pump will stop by touching "START" during idling. crank a few times after engine stalls.	When releasing fuel pressure from fuel line
SELF-LEARNING CONT	The coefficient of self-learning control mixture ratio returns to the original coefficient.	When clearing mixture ratio self-learning value

DIAGNOSIS SYSTEM (ECM)

< SYSTEM DESCRIPTION >

[VQ35DE]

WORK ITEM	CONDITION	USAGE
TARGET IGN TIM ADJ*	Idle condition	When adjusting target ignition timing
TARGET IDLE RPM ADJ*	Idle condition	When setting target idle speed
VIN REGISTRATION	In this mode, VIN is registered in ECM	When registering VIN in ECM
CLSD THL POS LEARN	Ignition on and engine stopped.	When learning the throttle valve closed position
SAVING DATA FOR RE-PLC CPU	In this mode, save data that is in ECM.	When ECM is replaced.
WRITING DATA FOR RE-PLC CPU	In this mode, write data stored by "SAVE DATA FOR CPU REPLC" in work support mode to ECM.	When ECM is replaced.

*: This function is not necessary in the usual service procedure.

ACTIVE TEST MODE

Test Item

TEST ITEM	CONDITION	JUDGMENT	CHECK ITEM (REMEDY)
FUEL INJECTION	<ul style="list-style-type: none"> Engine: Return to the original non-standard condition Change the amount of fuel injection using CONSULT. 	If malfunctioning symptom disappears, see CHECK ITEM.	<ul style="list-style-type: none"> Harness and connectors Fuel injector Air fuel ratio (A/F) sensor 1
ENG COOLANT TEMP	<ul style="list-style-type: none"> Engine: Return to the original non-standard condition Change the engine coolant temperature using CONSULT. 	If malfunctioning symptom disappears, see CHECK ITEM.	<ul style="list-style-type: none"> Harness and connectors Engine coolant temperature sensor Fuel injector
PURG VOL CONT/V	<ul style="list-style-type: none"> Engine: After warming up, run engine at 1,500 rpm. Change the EVAP canister purge volume control solenoid valve opening percent using CONSULT. 	Engine speed changes according to the opening percent.	<ul style="list-style-type: none"> Harness and connectors Solenoid valve
FUEL/T TEMP SEN	<ul style="list-style-type: none"> Change the fuel tank temperature using CONSULT. 		
INT V/T ASSIGN ANGLE	<ul style="list-style-type: none"> Engine: Return to the original non-standard condition Change intake valve timing using CONSULT. 	If malfunctioning symptom disappears, see CHECK ITEM.	<ul style="list-style-type: none"> Harness and connectors Intake valve timing control solenoid valve
EXH V/T ASSIGN ANGLE	<ul style="list-style-type: none"> Engine: Return to the original non-standard condition Change exhaust valve timing using CONSULT. 	If malfunctioning symptom disappears, see CHECK ITEM.	<ul style="list-style-type: none"> Harness and connectors Exhaust valve timing control solenoid valve
COOLING FAN*	<ul style="list-style-type: none"> Ignition switch: ON Turn the cooling fan "HI", "MID", "LOW" and "OFF" using CONSULT. 	Cooling fan moves and stops.	<ul style="list-style-type: none"> Harness and connectors Cooling fan motor IPDM E/R
VIAS S/V-1	<ul style="list-style-type: none"> Ignition switch: ON Turn solenoid valve "ON" and "OFF" using CONSULT and listen to operating sound. 	Solenoid valve makes the operating sound.	<ul style="list-style-type: none"> Harness and connectors Solenoid valve
ENGINE MOUNTING	<ul style="list-style-type: none"> Ignition switch: ON Turn electronic controlled engine mount "IDLE" and "TRVL" with CONSULT. 	Electronic controlled engine mount makes the operating sound.	<ul style="list-style-type: none"> Harness and connectors Electronic controlled engine mount
VIAS S/V-2	<ul style="list-style-type: none"> Ignition switch: ON Turn solenoid valve "ON" and "OFF" using CONSULT and listen to operating sound. 	Solenoid valve makes the operating sound.	<ul style="list-style-type: none"> Harness and connectors Solenoid valve

DIAGNOSIS SYSTEM (ECM)

< SYSTEM DESCRIPTION >

[VQ35DE]

TEST ITEM	CONDITION	JUDGMENT	CHECK ITEM (REMEDY)
IGNITION TIMING	<ul style="list-style-type: none"> Engine: Return to the original non-standard condition Timing light: Set Retard the ignition timing using CONSULT. 	If malfunctioning symptom disappears, see CHECK ITEM.	Perform Idle Air Volume Learning.
POWER BALANCE	<ul style="list-style-type: none"> Engine: After warming up, idle the engine. A/C switch OFF Selector lever: P or N position Cut off each injector signal one at a time using CONSULT. 	Engine runs rough or stops.	<ul style="list-style-type: none"> Harness and connectors Compression Fuel injector Power transistor Spark plug Ignition coil
VENT CONTROL/V	<ul style="list-style-type: none"> Ignition switch: ON (Engine stopped) Turn solenoid valve "ON" and "OFF" with the CONSULT and listen to operating sound. 	Solenoid valve makes an operating sound.	<ul style="list-style-type: none"> Harness and connectors Solenoid valve

*: Leaving cooling fan OFF with CONSULT while engine is running may cause the engine to overheat.

DTC WORK SUPPORT MODE

Test item

Test mode	Test item	Corresponding DTC No.	Reference page
A/F SEN1	A/F SEN1(B1) P1276	P0130	EC-252
	A/F SEN1(B2) P1286	P0150	EC-252
	A/F SENSOR1(B1) P014C, P014D	P014C, P014D	EC-282
	A/F SENSOR1(B2) P014E, P014F	P014E, P014F	EC-282
	A/F SENSOR1(B1) P015A, P015B	P015A, P015B	EC-282
	A/F SENSOR1(B2) P015C, P015D	P015C, P015D	EC-282
EVAPORATIVE SYSTEM	PURG FLOW P0441	P0441	EC-341
	PURG VOL CN/V P1444	P0443	EC-347
HO2S2	HO2S2(B1) P1146	P0138	EC-268
	HO2S2(B1) P1147	P0137	EC-262
	HO2S2(B1) P0139	P0139	EC-276
	HO2S2(B2) P1166	P0158	EC-268
	HO2S2(B2) P1167	P0157	EC-262
	HO2S2(B2) P0159	P0159	EC-276

SRT & P-DTC MODE

SRT STATUS Mode

- For items whose SRT codes are set, "CMPLT" is displayed on the CONSULT screen; for items whose SRT codes are not set, "INCMP" is displayed.
- "SRT STATUS" provides the presence or absence of permanent DTCs stored in ECM memory.

PERMANENT DTC STATUS Mode

How to display permanent DTC status

- Turn ignition switch OFF and wait at least 10 seconds.
- Turn ignition switch ON.
- Turn ignition switch OFF and wait at least 10 seconds.
- Turn ignition switch ON.
- Select "PERMANENT DTC STATUS" in "DTC & SRT CONFIRMATION" mode with CONSULT.

NOTE:

Permanent DTCs stored in ECM memory are displayed on the CONSULT screen to show if a driving pattern required for erasing permanent DTCs is complete (CMPLT) or incomplete (INCMP).

CAUTION:

DIAGNOSIS SYSTEM (ECM)

< SYSTEM DESCRIPTION >

[VQ35DE]

Since the “PERMANENT DTC STATUS” screen displays the previous trip information, repeat the following twice to update the information: “Ignition switch OFF”, “Wait for more than 10 seconds” and “Ignition switch ON”.

PERMANENT DTC & SRT CONFIRMATION : PERMANENT DTC STATUS

CAUTION:
Turn ignition switch from ON to OFF twice to update the information on the status screen.

PERMANENT DTC	DRIVING PATTERN B	DRIVING PATTERN D
XXXX	INCMP	INCMP
XXXX	CMPLT	INCMP
XXXX	INCMP	CMPLT
XXXX	CMPLT	INCMP
XXXX	INCMP	INCMP
XXXX	INCMP	INCMP

The previous trip information is displayed.

JSBIA0062GB

NOTE:

This mode is not used in regions that permanent DTCs are not regulated by law.

SRT WORK SUPPORT Mode

This mode enables a technician to drive a vehicle to set the SRT while monitoring the SRT status.

PERMANENT DTC WORK SUPPORT Mode

This mode enables a technician to drive a vehicle to complete the driving pattern that is required for erasing permanent DTC.

NOTE:

This mode is not used in regions that permanent DTCs are not regulated by law.

A
EC
C
D
E
F
G
H
I
J
K
L
M
N
O
P

ECU DIAGNOSIS INFORMATION

ECM

Reference Value

INFOID:0000000011939691

VALUES ON THE DIAGNOSIS TOOL

NOTE:

- The following table includes information (items) inapplicable to this vehicle. For information (items) applicable to this vehicle, refer to CONSULT display items.
- Numerical values in the following table are reference values.
- These values are input/output values that ECM receives/transmits and may differ from actual operations.

Example:

The ignition timing shown by the timing light may differ from the ignition timing displayed on the data monitor. This occurs because the timing light shows a value calculated by ECM according to signals received from the cam shaft position sensor and other sensors related to ignition timing.

For outlines of following items, refer to [EC-73, "CONSULT Function"](#).

Monitor Item	Condition		Values/Status
ENG SPEED	Run engine and compare CONSULT value with the tachometer indication.		Almost the same speed as the tachometer indication.
MAS AIR FLOW SENSOR (Hz)	See EC-182, "Description" .		
B/FUEL SCHDL	See EC-182, "Description" .		
A/F ALPHA-B1	See EC-182, "Description" .		
A/F ALPHA-B2	See EC-182, "Description" .		
COOLANT TEMP/S	Engine: After warming up		More than 70°C (158°F)
A/F SEN1 (B1)	Engine: After warming up	Maintaining engine speed at 2,000 rpm	Fluctuates around 2.2 V
HO2S2 (B1)	Revving engine from idle to 3,000 rpm quickly after the following conditions are met. <ul style="list-style-type: none"> • Engine: After warming up • After keeping engine speed between 3,500 and 4,000 rpm for 1 minute and at idle for 1 minute under no load 		0 - 0.3 V ↔ Approx. 0.6 - 1.0 V
HO2S2 (B2)	Revving engine from idle to 3,000 rpm quickly after the following conditions are met. <ul style="list-style-type: none"> • Engine: After warming up • After keeping engine speed between 3,500 and 4,000 rpm for 1 minute and at idle for 1 minute under no load 		0 - 0.3 V ↔ Approx. 0.6 - 1.0 V
HO2S2 MNTR(B1)	Revving engine from idle to 3,000 rpm quickly after the following conditions are met. <ul style="list-style-type: none"> • Engine: After warming up • After keeping engine speed between 3,500 and 4,000 rpm for 1 minute and at idle for 1 minute under no load 		LEAN ↔ RICH
HO2S2 MNTR(B2)	Revving engine from idle to 3,000 rpm quickly after the following conditions are met. <ul style="list-style-type: none"> • Engine: After warming up • After keeping engine speed between 3,500 and 4,000 rpm for 1 minute and at idle for 1 minute under no load 		LEAN ↔ RICH
VHCL SPEED SE	Turn drive wheels and compare CONSULT value with the speedometer indication.		Almost the same speed as speedometer indication
BATTERY VOLT	Ignition switch: ON (Engine stopped)		11 - 14 V
ACCEL SEN 1	Ignition switch: ON (Engine stopped)	Accelerator pedal: Fully released	0.5 - 1.0 V
		Accelerator pedal: Fully depressed	4.2 - 4.8 V
ACCEL SEN 2*1	Ignition switch: ON (Engine stopped)	Accelerator pedal: Fully released	0.5 - 1.0 V
		Accelerator pedal: Fully depressed	4.2 - 4.8 V

ECM

< ECU DIAGNOSIS INFORMATION >

[VQ35DE]

Monitor Item	Condition		Values/Status
TP SEN 1-B1	<ul style="list-style-type: none"> Ignition switch: ON (Engine stopped) Selector lever: D position 	Accelerator pedal: Fully released	More than 0.36 V
		Accelerator pedal: Fully depressed	Less than 4.75 V
TP SEN 2-B1*1	<ul style="list-style-type: none"> Ignition switch: ON (Engine stopped) Selector lever: D position 	Accelerator pedal: Fully released	More than 0.36 V
		Accelerator pedal: Fully depressed	Less than 4.75 V
FUEL T/TMP SE	Ignition switch: ON		Indicates fuel tank temperature
EVAP SYS PRES	Ignition switch: ON		Approx. 1.8 - 4.8 V
FUEL LEVEL SE	Ignition switch: ON		Depending on fuel level of fuel tank
START SIGNAL	Ignition switch: ON → START → ON		Off → On → Off
CLSD THL POS	Ignition switch: ON (Engine stopped)	Accelerator pedal: Fully released	On
		Accelerator pedal: Slightly depressed	Off
AIR COND SIG	Engine: After warming up, idle the engine	Air conditioner switch: OFF	Off
		Air conditioner switch: ON (Compressor operates.)	On
PW/ST SIGNAL	Engine: After warming up, idle the engine	Steering wheel: Not being turned	Off
		Steering wheel: Being turned	On
LOAD SIGNAL	Ignition switch: ON	Rear window defogger switch: ON and/or Lighting switch: 2nd position	On
		Rear window defogger switch and lighting switch: OFF	Off
IGNITION SW	Ignition switch: ON → OFF → ON		On → Off → On
HEATER FAN SW	Engine: After warming up, idle the engine	Heater fan switch: ON	On
		Heater fan switch: OFF	Off
BRAKE SW	Ignition switch: ON	Brake pedal: Fully released	Off
		Brake pedal: Slightly depressed	On
INJ PULSE-B1	<ul style="list-style-type: none"> Engine: After warming up Selector lever: P or N position Air conditioner switch: OFF No load 	Idle	2.0 - 3.0 msec
		2,000 rpm	1.9 - 2.9 msec
INJ PULSE-B2	<ul style="list-style-type: none"> Engine: After warming up Selector lever: P or N position Air conditioner switch: OFF No load 	Idle	2.0 - 3.0 msec
		2,000 rpm	1.9 - 2.9 msec
IGN TIMING	<ul style="list-style-type: none"> Engine: After warming up Selector lever: P or N position Air conditioner switch: OFF No load 	Idle	7 - 17°BTDC
		2,000 rpm	25 - 45°BTDC
CAL/LD VALUE	<ul style="list-style-type: none"> Engine: After warming up Selector lever: P or N position Air conditioner switch: OFF No load 	Idle	5 - 35%
		2,500 rpm	5 - 35%
MASS AIRFLOW	<ul style="list-style-type: none"> Engine: After warming up Selector lever: P or N position Air conditioner switch: OFF No load 	Idle	2.0 - 6.0 g/s
		2,500 rpm	7.0 - 20.0 g/s
PURG VOL C/V	<ul style="list-style-type: none"> Engine: After warming up Selector lever: P or N position Air conditioner switch: OFF No load 	Idle (Accelerator pedal: Not depressed even slightly, after engine starting.)	0%
		2,000 rpm	—

ECM

< ECU DIAGNOSIS INFORMATION >

[VQ35DE]

Monitor Item	Condition		Values/Status
INT/V TIM (B1)	<ul style="list-style-type: none"> • Engine: After warming up • Selector lever: P or N position • Air conditioner switch: OFF • No load 	Idle	-5 - 5°C
		2,000 rpm	Approx. 0 - 30°C
INT/V TIM (B2)	<ul style="list-style-type: none"> • Engine: After warming up • Selector lever: P or N position • Air conditioner switch: OFF • No load 	Idle	-5 - 5°C
		2,000 rpm	Approx. 0 - 30°C
INT/V SOL(B1)	<ul style="list-style-type: none"> • Engine: After warming up • Selector lever: P or N position • Air conditioner switch: OFF • No load 	Idle	0 - 2%
		2,000 rpm	Approx. 0 - 50%
INT/V SOL(B2)	<ul style="list-style-type: none"> • Engine: After warming up • Selector lever: P or N position • Air conditioner switch: OFF • No load 	Idle	0 - 2%
		2,000 rpm	Approx. 0 - 50%
VIAS S/V-1	<ul style="list-style-type: none"> • Engine: After warming up • Selector lever: P or N position • Air conditioner switch: OFF • No load 	When revving engine up to 5,000 rpm quickly	Off → On → Off
AIR COND RLY	Engine: After warming up, idle the engine	Air conditioner switch: OFF	Off
		Air conditioner switch: ON (Compressor operates)	On
ENGINE MOUNT	Engine: After warming up	Below 950 rpm	IDLE
		Above 950 rpm	TRVL
FUEL PUMP RLY	<ul style="list-style-type: none"> • For 1 second after turning ignition switch: ON • Engine running or cranking 		On
	Except above		Off
VENT CONT/V	Ignition switch: ON		Off
THRTL RELAY	Ignition switch: ON		On
A/F S1 HTR(B2)	Engine: After warming up, idle the engine (More than 140 seconds after starting engine)		4 - 100%
HO2S2 HTR (B1)	Engine speed: Below 3,600 rpm after the following conditions are met. <ul style="list-style-type: none"> • Engine: After warming up • Keeping the engine speed between 3,500 and 4,000 rpm for 1 minute and at idle for 1 minute under no load 		On
	Engine speed: Above 3,600 rpm		Off
HO2S2 HTR (B2)	Engine speed: Below 3,600 rpm after the following conditions are met. <ul style="list-style-type: none"> • Engine: After warming up • Keeping the engine speed between 3,500 and 4,000 rpm for 1 minute and at idle for 1 minute under no load 		On
	Engine speed: Above 3,600 rpm		Off
I/P PULLY SPD	Vehicle speed: More than 20 km/h (12 MPH)		Almost the same speed as the tachometer indication
VEHICLE SPEED	Turn drive wheels and compare CONSULT value with the speedometer indication.		Almost the same speed as the speedometer indication
IDL A/V LEARN	Engine: Running	Idle air volume learning has not been performed yet.	Yet
		Idle air volume learning has already been performed successfully.	CMPLT
TRVL AFTER MIL	Ignition switch: ON	Vehicle has traveled after MIL has illuminated.	0 - 65,535 km (0 - 40,723 miles)
ENG OIL TEMP	Engine: After warming up		More than 70°C (158°F)

ECM

< ECU DIAGNOSIS INFORMATION >

[VQ35DE]

Monitor Item	Condition		Values/Status
A/F S1 HTR(B1)	Engine: After warming up, idle the engine (More than 140 seconds after starting engine)		4 - 100%
VHCL SPEED SE	Turn drive wheels and compare CONSULT value with the speedometer indication.		Almost the same speed as the speedometer indication
SET VHCL SPD	Engine: Running	ASCD: Operating	The preset vehicle speed is displayed
MAIN SW	Ignition switch: ON	MAIN switch: Pressed	On
		MAIN switch: Released	Off
CANCEL SW	Ignition switch: ON	CANCEL switch: Pressed	On
		CANCEL switch: Released	Off
RESUME/ACC SW	Ignition switch: ON	RES/+ switch: Pressed	On
		RES/+ switch: Released	Off
SET SW	Ignition switch: ON	SET/- switch: Pressed	On
		SET/- switch: Released	Off
BRAKE SW1 (Brake pedal position switch)	Ignition switch: ON	Brake pedal: Fully released	On
		Brake pedal: Slightly depressed	Off
BRAKE SW2 (Stop lamp switch)	Ignition switch: ON	Brake pedal: Fully released	Off
		Brake pedal: Slightly depressed	On
VHCL SPD CUT	Ignition switch: ON		Non
LO SPEED CUT	Ignition switch: ON		Non
AT OD MONITOR	Ignition switch: ON		Off
AT OD CANCEL	Ignition switch: ON		Off
CRUISE LAMP	Ignition switch: ON	MAIN switch: Pressed at the 1st time → at the 2nd time	On → Off
SET LAMP	<ul style="list-style-type: none"> • MAIN switch: ON • When vehicle speed is between 40 km/h (25 MPH) and 144 km/h (89 MPH) 	ASCD: Operating	On
		ASCD: Not operating	Off
VIAS S/V-2	<ul style="list-style-type: none"> • Engine: After warming up • Selector lever: P or N position • Air conditioner switch: OFF • No load 	When revving engine up to 5,000 rpm quickly	Off → On → Off
COOLING FAN	<ul style="list-style-type: none"> • Engine: After warming up, idle the engine • Air conditioner switch: OFF 	Engine coolant temperature: 97°C (206°F) or less	OFF
		Engine coolant temperature: Between 98°C (208°F) and 99°C (210°F)	LOW
		Engine coolant temperature: Between 100°C (212°F) and 104°C (219°F)	MID
		Engine coolant temperature: 105°C (221°F) or more	HI
A/F ADJ-B1	Engine: Running		-0.330 - 0.330
A/F ADJ-B2	Engine: Running		-0.330 - 0.330
P/N POSI SW	Ignition switch: ON	Selector lever: P or N position	On
		Selector lever: Except above position	Off
INT/A TEMP SE	Ignition switch: ON		Indicates intake air temperature
AC PRESS SEN	<ul style="list-style-type: none"> • Engine: Idle • Both A/C switch and blower fan switch: ON (Compressor operates) 		1.0 - 4.0 V
A/F SEN1 (B2)	Engine: After warming up	Maintaining engine speed at 2,000 rpm	Fluctuates around 2.2 V

ECM

< ECU DIAGNOSIS INFORMATION >

[VQ35DE]

Monitor Item	Condition		Values/Status
EVAP LEAK DIAG	Ignition switch: ON		Indicates the condition of EVAP leak diagnosis.
EVAP DIAG READY	Ignition switch: ON		Indicates the ready condition of EVAP leak diagnosis.
BAT TEMP SEN	<ul style="list-style-type: none"> • Engine: After warming up • Selector lever: P or N position • Air conditioner switch: OFF • No load 	Idle	Approx. 0.68 V
THRTL STK CNT B1*3	—		—
HO2 S2 DIAG1(B2)	DTC P0159 self-diagnosis (delayed response) has not been performed yet.		INCMP
	DTC P0159 self-diagnosis (delayed response) has already been performed successfully.		CMPLT
A/F SEN1 DIAG1 (B2)	DTC P015C and P015D self-diagnosis is incomplete.		INCMP
	DTC P015C and P015D self-diagnosis is complete.		CMPLT
A/F SEN1 DIAG1 (B1)	DTC P015A and P015B self-diagnosis is incomplete.		INCMP
	DTC P015A and P015B self-diagnosis is complete.		CMPLT
A/F SEN1 DIAG2 (B2)	DTC P014E and P014F self-diagnosis is incomplete.		INCMP
	DTC P014E and P014F self-diagnosis is complete.		CMPLT
A/F SEN1 DIAG2 (B1)	DTC P014C and P014D self-diagnosis is incomplete.		INCMP
	DTC P014C and P014D self-diagnosis is complete.		CMPLT
A/F SEN1 DIAG3 (B2)	The vehicle condition is not within the diagnosis range of DTC P014E, P014F, P015C or P015D.		ABSNT
	The vehicle condition is within the diagnosis range of DTC P014E, P014F, P015C or P015D.		PRSNT
A/F SEN1 DIAG3 (B1)	The vehicle condition is not within the diagnosis range of DTC P014C, P014D, P015A or P015B.		ABSNT
	The vehicle condition is within the diagnosis range of DTC P014C, P014D, P015A or P015B.		PRSNT
HO2 S2 DIAG2(B2)	DTC P0159 self-diagnosis (slow response) has not been performed yet.		INCMP
	DTC P0159 self-diagnosis (slow response) has already been performed successfully.		CMPLT
HO2 S2 DIAG2(B1)	DTC P0139 self-diagnosis (slow response) has not been performed yet.		INCMP
	DTC P0139 self-diagnosis (slow response) has already been performed successfully.		CMPLT
EOP SENSOR	<ul style="list-style-type: none"> • Engine: After warming up • Selector lever: P or N position • Air conditioner switch: OFF • No load 	Idle	Approx. 1,450 mV
		2,000 rpm	Approx. 2,850 mV
HO2 S2 DIAG1(B1)	DTC P0139 self-diagnosis (delayed response) has not been performed yet.		INCMP
	DTC P0139 self-diagnosis (delayed response) has already been performed successfully.		CMPLT
EXT/V TIM B1	<ul style="list-style-type: none"> • Engine: After warming up • Selector lever: N position • Air conditioner switch: OFF • No load 	Idle	-5 - 5°C
		Around 2,500 rpm while the engine speed is rising	Approx. 0 - 30°C
EXT/V TIM B2	<ul style="list-style-type: none"> • Engine: After warming up • Selector lever: N position • Air conditioner switch: OFF • No load 	Idle	-5 - 5°C
		Around 2,500 rpm while the engine speed is rising	Approx. 0 - 30°C

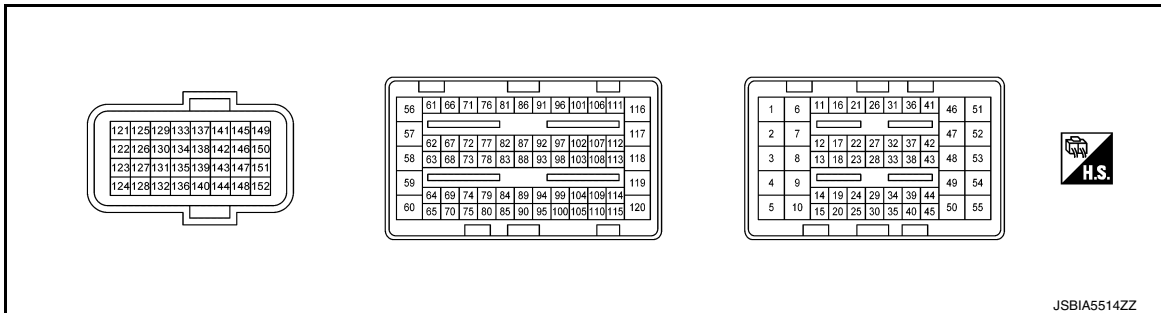
Monitor Item	Condition	Values/Status
VTC DTY EX B1	• Engine: After warming up • Selector lever: N position • Air conditioner switch: OFF • No load	Idle 0 - 2%
		Around 2,500 rpm while the engine speed is rising Approx. 0 - 70%
VTC DTY EX B2	• Engine: After warming up • Selector lever: N position • Air conditioner switch: OFF • No load	Idle 0 - 2%
		Around 2,500 rpm while the engine speed is rising Approx. 0 - 70%
A/F-S ATMSPHRC CRCT B1	Engine: After warming up, idle the engine	Varies depending on vehicle environment.
A/F-S ATMSPHRC CRCT B2	Engine: After warming up, idle the engine	Varies depending on vehicle environment.
A/F-S ATMSPHRC CRCT UP B1	Engine: Running	Varies depending on the number of updates.
A/F-S ATMSPHRC CRCT UP B2	Engine: Running	Varies depending on the number of updates.
SYSTEM 1 DIAGNOSIS A B1	DTC P219A self-diagnosis is incomplete.	INCOMP
	DTC P219A self-diagnosis is complete.	CMPLT
SYSTEM 1 DIAGNOSIS A B2	DTC P219B self-diagnosis is incomplete.	INCOMP
	DTC P219B self-diagnosis is complete.	CMPLT
SYSTEM 1 DIAGNOSIS B B1	DTC P219A self-diagnosis is on standby.	ABSENT
	DTC P219A self-diagnosis is under diagnosis.	PRESENT
SYSTEM 1 DIAGNOSIS B B2	DTC P219B self-diagnosis is on standby.	ABSENT
	DTC P219B self-diagnosis is under diagnosis.	PRESENT

*1: Accelerator pedal position sensor 2 signal and throttle position sensor 2 signal are converted by ECM internally. Thus, they differ from ECM terminals voltage signal.

*2: Before measuring the terminal voltage, confirm that the battery is fully charged. Refer to [PG-92, "How to Handle Battery"](#).

*3: The item is indicated, but not used.

TERMINAL LAYOUT



PHYSICAL VALUES

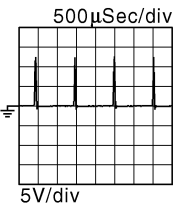
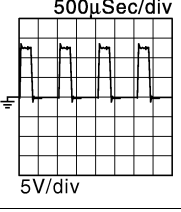
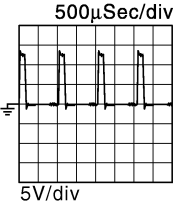
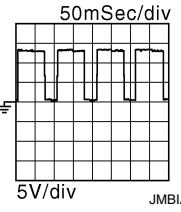
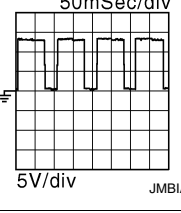
NOTE:

- ECM is located in the engine room left side near battery.
- Specification data are reference values.
- Pulse signal is measured by CONSULT.

ECM

< ECU DIAGNOSIS INFORMATION >

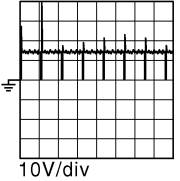
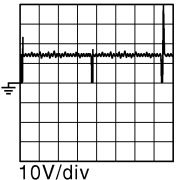
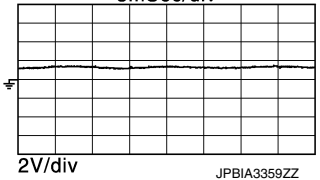
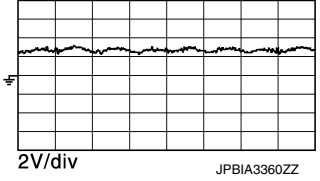
[VQ35DE]

Terminal No.		Description		Condition	Value (Approx.)
+	-	Signal name	Input/Output		
1 (G)	152 (GR)	Throttle control motor (Close)	Output	[Ignition switch: ON] • Engine stopped • Selector lever: D position • Accelerator pedal: Fully released	0 - 14 V★ 
2 (R)	152 (GR)	Throttle control motor power supply	Input	[Ignition switch: ON]	BATTERY VOLTAGE (11 - 14 V)
3 (W)	152 (GR)	Throttle control motor (Open)	Output	[Ignition switch: ON] • Engine stopped • Selector lever: D position • Accelerator pedal: Fully depressed	0 - 14 V★ 
				[Ignition switch: ON] • Engine stopped • Selector lever: D position • Accelerator pedal: Fully released	0 - 14 V★ 
4 (GR)	—	Sensor ground [Knock sensor (bank 1), Knock sensor (bank 2)]	—	—	—
5 (B)	4 (GR)	Knock sensor (bank 1)	Input	[Engine is running] Idle speed	2.5 V*1
6 (BR)	152 (GR)	A/F sensor 1 heater (bank 1)	Output	[Engine is running] • Warm-up condition • Idle speed (More than 140 seconds after starting engine)	2.9 - 8.8 V★ 
7 (SB)	152 (GR)	Heated oxygen sensor 2 heater (bank 1)	Output	[Engine is running] Engine speed: Below 3,600 rpm after the following conditions are met • Engine: after warming up • Keeping the engine speed between 3,500 and 4,000 rpm for 1 minute and at idle for 1 minute under no load	10 V★ 
				[Ignition switch: ON] Engine stopped • [Engine is running] Engine speed: Above 3,600 rpm	BATTERY VOLTAGE (11 - 14 V)

ECM

< ECU DIAGNOSIS INFORMATION >

[VQ35DE]

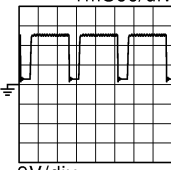
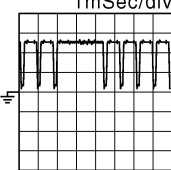
Terminal No.		Description		Condition	Value (Approx.)
+	—	Signal name	Input/Output		
8 (BR)	152 (GR)	Throttle control motor relay	Output	[Ignition switch: ON → OFF] [Ignition switch: ON]	0 - 1.0 V → BATTERY VOLTAGE 0 - 1.0 V
9 (W)	4 (GR)	Knock sensor (bank 2)	Input	[Engine is running] Idle speed	2.5 V*1
10 (B)	—	ECM ground	—	—	—
11 (P)	152 (GR)	Fuel injector No. 5	Output	[Engine is running] • Warm-up condition • Engine speed: 2,000 rpm	<p style="text-align: center;">BATTERY VOLTAGE (11 - 14 V)★</p> <p style="text-align: center;">50mSec/div</p>  <p style="text-align: center;">10V/div</p> <p style="text-align: right; font-size: small;">JMBIA0048GB</p>
12 (W)		Fuel injector No. 4			
16 (R)		Fuel injector No. 2			
17 (G)		Fuel injector No. 1			
21 (G)		Fuel injector No. 6			
22 (P)	Fuel injector No. 3	NOTE: The pulse cycle changes depending on rpm at idle	<p style="text-align: center;">BATTERY VOLTAGE (11 - 14 V)★</p> <p style="text-align: center;">50mSec/div</p>  <p style="text-align: center;">10V/div</p> <p style="text-align: right; font-size: small;">JMBIA0047GB</p>		
13 (Y)	15 (L)	Engine oil temperature sensor	Input	[Engine is running]	0 - 4.8 V Output voltage varies with engine oil temperature.
14 (LG)	18 (R)	Engine oil pressure sensor	Input	[Engine is running] • Warm-up condition • Idle speed	<p style="text-align: center;">1.3 V★</p> <p style="text-align: center;">5mSec/div</p>  <p style="text-align: center;">2V/div</p> <p style="text-align: right; font-size: small;">JPBIA3359ZZ</p>
				[Engine is running] • Warm-up condition • Engine speed is 2,000 rpm	<p style="text-align: center;">2.7 V★</p> <p style="text-align: center;">5mSec/div</p>  <p style="text-align: center;">2V/div</p> <p style="text-align: right; font-size: small;">JPBIA3360ZZ</p>
15 (L)	—	Sensor ground (Engine oil temperature sensor, engine oil pressure sensor)	—	—	—
18 (R)	15 (L)	Sensor power supply (Engine oil pressure sensor)	—	[Ignition switch: ON]	5 V
	25 (V)	Sensor power supply (Refrigerant pressure sensor)			

A
EC
C
D
E
F
G
H
I
J
K
L
M
N
O
P

ECM

< ECU DIAGNOSIS INFORMATION >

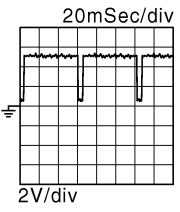
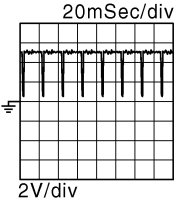
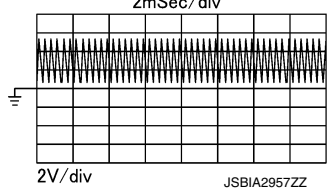
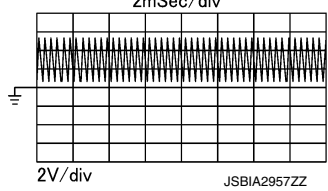
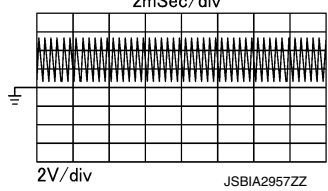
[VQ35DE]

Terminal No.		Description		Condition	Value (Approx.)
+	—	Signal name	Input/Output		
19 (V)	152 (GR)	Fuel pump relay	Output	<ul style="list-style-type: none"> [Ignition switch: ON] For 1 second after turning ignition switch ON [Engine is running] 	0 - 1.0 V
20 (SB)	25 (V)	Refrigerant pressure sensor	Input	<ul style="list-style-type: none"> [Engine is running] Warm-up condition Both A/C switch and blower fan motor switch: ON (Compressor operates) 	1.0 - 4.0 V
25 (V)	—	Sensor ground (Refrigerant pressure sensor)	—	—	—
28 (LG)	40 (BR)	Sensor power supply [Exhaust valve timing control position sensor (bank 1), exhaust valve timing control position sensor (bank 2), crankshaft position sensor (POS), mass air flow sensor]	Input	[Engine is running]	5 V
31 (P)	35 (B)	Engine coolant temperature sensor	Input	[Engine is running]	0 - 4.8 V Output voltage varies with engine coolant temperature.
32 (W)	152 (GR)	Heated oxygen sensor 2 (bank 2)	Input	<ul style="list-style-type: none"> [Engine is running] Revving engine from idle to 3,000 rpm quickly after the following conditions are met Engine: after warming up Keeping the engine speed between 3,500 and 4,000 rpm for 1 minute and at idle for 1 minute under no load 	0 - 1.0 V
34 (Y)	40 (BR)	Intake air temperature sensor	Input	[Engine is running]	0 - 4.8 V Output voltage varies with intake air temperature.
35 (B)	—	Sensor ground (Heated oxygen sensor 2, engine coolant temperature sensor)	—	—	—
36 (L)	40 (BR)	Crankshaft position sensor (POS)	Input	<ul style="list-style-type: none"> [Engine is running] Warm-up condition Idle speed <p>NOTE: The pulse cycle changes depending on rpm at idle</p>	<p style="text-align: center;">4.0 - 5.0 V★</p> <p style="text-align: center;">1mSec/div</p>  <p style="text-align: right;">2V/div JMBIA0041GB</p>
				<ul style="list-style-type: none"> [Engine is running] Engine speed: 2,000 rpm 	<p style="text-align: center;">4.0 - 5.0 V★</p> <p style="text-align: center;">1mSec/div</p>  <p style="text-align: right;">2V/div JMBIA0042GB</p>

ECM

< ECU DIAGNOSIS INFORMATION >

[VQ35DE]

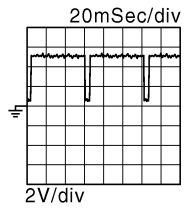
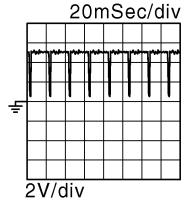
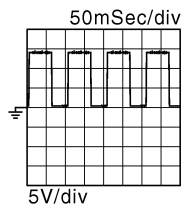
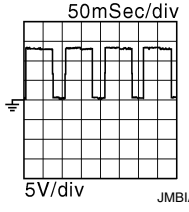
Terminal No.		Description		Condition	Value (Approx.)
+	-	Signal name	Input/Output		
37 (GR)	152 (GR)	Exhaust valve timing control position sensor (bank 1)	Input	[Engine is running] <ul style="list-style-type: none"> • Warm-up condition • Idle speed NOTE: The pulse cycle changes depending on rpm at idle	4.0 – 5.0 V★ 
				[Engine is running] <ul style="list-style-type: none"> • Warm-up condition • Engine speed: 2,000 rpm 	4.0 – 5.0 V★ 
38 (GR)	40 (BR)	Mass air flow sensor	Input	[Ignition switch: ON] <ul style="list-style-type: none"> • Engine stopped 	3,720 Hz 
				[Engine is running] <ul style="list-style-type: none"> • Warm-up condition • Idle speed 	3,900 – 4,500 Hz 
				[Engine is running] <ul style="list-style-type: none"> • Warm-up condition • Engine speed: idle to about 4,000 rpm NOTE: Check for linear frequency rise in response to engine being increased to about 4,000 rpm	3,900 – 4,500 → 8000 Hz 

A
EC
C
D
E
F
G
H
I
J
K
L
M
N
O
P

ECM

< ECU DIAGNOSIS INFORMATION >

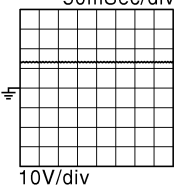
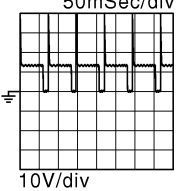
[VQ35DE]

Terminal No.		Description		Condition	Value (Approx.)
+	—	Signal name	Input/Output		
39 (GR)	152 (GR)	Exhaust valve timing control position sensor (bank 2)	Input	[Engine is running] <ul style="list-style-type: none"> • Warm-up condition • Idle speed NOTE: The pulse cycle changes depending on rpm at idle	4.0 – 5.0 V★ 
				[Engine is running] <ul style="list-style-type: none"> • Warm-up condition • Engine speed: 2,000 rpm 	4.0 – 5.0 V★ 
40 (BR)	—	Sensor ground (Exhaust valve timing control position sensor (bank 1), exhaust valve timing control position sensor (bank 2), crankshaft position sensor (POS), mass air flow sensor)	—	—	—
41 (W)	152 (GR)	Heated oxygen sensor 2 (bank 1)	Input	[Engine is running] <ul style="list-style-type: none"> • Revving engine from idle to 3,000 rpm quickly after the following conditions are met • Engine: after warming up • Keeping the engine speed between 3,500 and 4,000 rpm for 1 minute and at idle for 1 minute under no load 	0 - 1.0 V
46 (Y)	152 (GR)	A/F sensor 1 heater (bank 2)	Output	[Engine is running] <ul style="list-style-type: none"> • Warm-up condition • Idle speed (More than 140 seconds after starting engine) 	2.9 - 8.8 V★ 
47 (SB)	152 (GR)	Heated oxygen sensor 2 heater (bank 2)	Output	[Engine is running] <ul style="list-style-type: none"> • Engine speed: Below 3,600 rpm after the following conditions are met • Engine: after warming up • Keeping the engine speed between 3,500 and 4,000 rpm for 1 minute and at idle for 1 minute under no load 	10 V★ 
				<ul style="list-style-type: none"> • [Ignition switch: ON] Engine stopped • [Engine is running] Engine speed: Above 3,600 rpm 	BATTERY VOLTAGE (11 - 14 V)

ECM

< ECU DIAGNOSIS INFORMATION >

[VQ35DE]

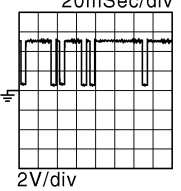
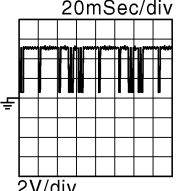
Terminal No.		Description		Condition	Value (Approx.)
+	—	Signal name	Input/Output		
49 (V)	152 (GR)	Electronic controlled engine mount control solenoid valve	Output	[Engine is running] Idle speed	0 - 1.0 V
				[Engine is running] Engine speed: More than 950 rpm	BATTERY VOLTAGE (11 - 14 V)
54 (BR)	152 (GR)	EVAP canister purge volume control solenoid valve	Output	[Engine is running] • Idle speed • Accelerator pedal: Not depressed even slightly, after engine starting	BATTERY VOLTAGE (11 - 14 V)★ 
				[Engine is running] Engine speed: approximately 2,000 rpm (More than 100 seconds after starting engine)	BATTERY VOLTAGE (11 - 14 V)★ 
55 (B)	—	ECM ground	—	—	—
58 (SB)	152 (GR)	Exhaust valve timing control solenoid valve (bank 1)	Output	[Engine is running] • Warm-up condition • Idle speed	0 V
				[Engine is running] • Warm-up condition • Engine speed: 2,000rpm	BATTERY VOLTAGE (11 - 14 V)
60 (BR)	152 (GR)	Exhaust valve timing control solenoid valve (bank 2)	Output	[Engine is running] • Warm-up condition • Idle speed	0 V
				[Engine is running] • Warm-up condition • Engine speed: 2,000rpm	BATTERY VOLTAGE (11 - 14 V)
64 (G)	—	Sensor ground (Battery current sensor, battery temperature sensor)	—	—	—
66 (W)	152 (GR)	A/F sensor 1 (bank 1)	Input	[Ignition switch: ON]	1.8 V
67 (B)	152 (GR)	A/F sensor 1 (bank 1)	Input	[Engine is running] • Warm-up condition • Engine speed: 2,000 rpm	2.2 V Output voltage varies with air fuel ratio.
68 (R)	64 (G)	Battery temperature sensor	Input	[Engine is running]	0 - 4.8 V Output voltage varies with battery temperature.
69 (W)	64 (G)	Battery current sensor	Input	[Engine is running] • Battery: Fully charged*2 • Idle speed	2.6 - 3.5 V
70 (GR)	—	Shield	—	—	—

A
EC
C
D
E
F
G
H
I
J
K
L
M
N
O
P

ECM

< ECU DIAGNOSIS INFORMATION >

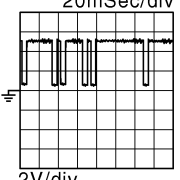
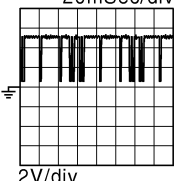
[VQ35DE]

Terminal No.		Description		Condition	Value (Approx.)
+	—	Signal name	Input/ Output		
71 (B)	152 (GR)	Throttle position sensor 1	Input	[Ignition switch: ON] • Engine stopped • Selector lever: D position • Accelerator pedal: Fully released	More than 0.36 V
				[Ignition switch: ON] • Engine stopped • Selector lever: D position • Accelerator pedal: Fully depressed	Less than 4.75 V
72 (W)	152 (GR)	Throttle position sensor 2	Input	[Ignition switch: ON] • Engine stopped • Selector lever: D position • Accelerator pedal: Fully released	Less than 4.75 V
				[Ignition switch: ON] • Engine stopped • Selector lever: D position • Accelerator pedal: Fully depressed	More than 0.36 V
75 (R)	—	Sensor ground (Throttle position sensor)	—	—	—
76 (W)	152 (GR)	A/F sensor 1 (bank 2)	Input	[Ignition switch: ON]	1.8 V
77 (B)	152 (GR)	A/F sensor 1 (bank 2)	Input	[Engine is running] • Warm-up condition • Engine speed: 2,000 rpm	2.2 V Output voltage varies with air fuel ratio.
80 (GR)	—	Shield	—	—	—
83 (LG)	152 (GR)	PNP signal	Input	[Ignition switch: ON] Selector lever: P or N position	BATTERY VOLTAGE (11 - 14 V)
				[Ignition switch: ON] Selector lever: Except above position	0 V
84 (GR)	90 (LG)	Camshaft position sensor (PHASE) (bank 1)	Input	[Engine is running] • Warm-up condition • Idle speed NOTE: The pulse cycle changes depending on rpm at idle	<p>3.0 - 5.0 V★</p> <p>20mSec/div</p>  <p>2V/div</p> <p style="text-align: right; font-size: small;">JMBIA0045GB</p>
				[Engine is running] Engine speed is 2,000 rpm	<p>3.0 - 5.0 V★</p> <p>20mSec/div</p>  <p>2V/div</p> <p style="text-align: right; font-size: small;">JMBIA0046GB</p>

ECM

< ECU DIAGNOSIS INFORMATION >

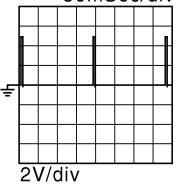
[VQ35DE]

Terminal No.		Description		Condition	Value (Approx.)
+	—	Signal name	Input/Output		
86 (G)	152 (GR)	ECM relay (Self shut-off)	Output	<ul style="list-style-type: none"> [Engine is running] [Ignition switch: OFF] A few seconds after turning ignition switch OFF	0 - 1.5 V
				[Ignition switch: OFF] More than a few seconds after turning ignition switch OFF	BATTERY VOLTAGE (11 - 14 V)
87 (P)	64 (G)	Sensor power supply (Battery current sensor)	—	[Ignition switch: ON]	5 V
89 (GR)	90 (LG)	Camshaft position sensor (PHASE) (bank 2)	Input	<ul style="list-style-type: none"> [Engine is running] Warm-up condition Idle speed NOTE: The pulse cycle changes depending on rpm at idle	3.0 - 5.0 V★ 20mSec/div  2V/div JMBIA0045GB
				[Engine is running] Engine speed is 2,000 rpm	3.0 - 5.0 V★ 20mSec/div  2V/div JMBIA0046GB
90 (LG)	—	Sensor ground [Camshaft position sensor (PHASE) (bank 1), camshaft position sensor (PHASE) (bank 2)]	—	—	—
92 (BR)	90 (LG)	Sensor power supply [Camshaft position sensor (PHASE) (bank 1), camshaft position sensor (PHASE) (bank 2)]	—	[Ignition switch: ON]	5 V
98 (G)	75 (R)	Sensor power supply (Throttle position sensor)	—	[Ignition switch: ON]	5 V
102 (W)	152 (GR)	VIAS control solenoid valve 2	Output	<ul style="list-style-type: none"> [Engine is running] Warm-up condition Idle speed 	BATTERY VOLTAGE (11 - 14 V)
				<ul style="list-style-type: none"> [Engine is running] Warm-up condition When revving engine up to 5,000 rpm quickly 	BATTERY VOLTAGE (11 - 14 V) ↓ 0 - 1.0 V ↓ BATTERY VOLTAGE (11 - 14 V)

ECM

< ECU DIAGNOSIS INFORMATION >

[VQ35DE]

Terminal No.		Description		Condition	Value (Approx.)
+	—	Signal name	Input/Output		
103 (P)	152 (GR)	Ignition signal No. 3	Output	[Engine is running] • Warm-up condition • Idle speed NOTE: The pulse cycle changes depending on rpm at idle	0 - 0.2 V★
104 (R)		Ignition signal No. 6			
106 (P)		Ignition signal No. 2			
107 (G)		Ignition signal No. 5			
113 (G)		Ignition signal No. 1			
114 (W)		Ignition signal No. 4			
105 (B)	—	ECM ground	—	—	
108 (R)	152 (GR)	VIAS control solenoid valve 1	Output	[Engine is running] • Warm-up condition • Idle speed	BATTERY VOLTAGE (11 - 14 V)
				[Engine is running] • Warm-up condition • When revving engine up to 5,000 rpm quickly	BATTERY VOLTAGE (11 - 14 V) ↓ 0 - 1.0 V ↓ BATTERY VOLTAGE (11 - 14 V)
110 (B)	—	ECM ground	—	—	—
116 (SB)	152 (GR)	Power supply for ECM (Back-up)	Input	[Ignition switch: OFF]	BATTERY VOLTAGE (11 - 14 V)
117 (BR)	152 (GR)	Intake valve timing control solenoid valve (bank 1)	Output	[Engine is running] • Warm-up condition • Idle speed	0 V
				[Engine is running] • Warm-up condition • When revving engine up to 2,000rpm quickly	BATTERY VOLTAGE (11 - 14 V)
118 (LG)	152 (GR)	Intake valve timing intermediate lock control solenoid valve (bank 1)	Output	[Engine is running] • Warm-up condition • Idle speed	0 V
				[Engine is running] • Cold condition [Engine coolant temperature: below 60°C (140°F)] • Idle speed	Battery voltage (11 - 14 V)
119 (Y)	152 (GR)	Intake valve timing control solenoid valve (bank 2)	Output	[Engine is running] • Warm-up condition • Idle speed	0 V
				[Engine is running] • Warm-up condition • When revving engine up to 2,000rpm quickly	BATTERY VOLTAGE (11 - 14 V)

ECM

< ECU DIAGNOSIS INFORMATION >

[VQ35DE]

Terminal No.		Description		Condition	Value (Approx.)
+	—	Signal name	Input/Output		
120 (V)	152 (GR)	Intake valve timing intermediate lock control solenoid valve (bank 2)	Output	[Engine is running] • Warm-up condition • Idle speed	0 V
				[Engine is running] • Cold condition [Engine coolant temperature: below 60°C (140°F)] • Idle speed	Battery voltage (11 - 14 V)
121 (G)	148 (R)	EVAP control system pressure sensor	Input	[Ignition switch: ON]	1.8 - 4.8 V
123 (P)	—	CAN communication line (CAN-L)	Input/Output	—	—
124 (L)	—	CAN communication line (CAN-H)	Input/Output	—	—
125 (V)	148 (R)	Sensor power supply (EVAP control system pressure sensor)	—	[Ignition switch: ON]	5 V
126 (R)	152 (GR)	Engine speed output signal	Output	[Engine is running] • Warm-up condition • Idle speed NOTE: The pulse cycle changes depending on rpm at idle	<div style="text-align: center;"> <p>1 V★ 10mSec/div 2V/div JMBIA0076GB</p> </div>
				[Engine is running] Engine speed is 2,000 rpm	<div style="text-align: center;"> <p>1 V★ 10mSec/div 2V/div JMBIA0077GB</p> </div>
128 (V)	148 (R)	Fuel tank temperature sensor	Input	[Engine is running]	0 - 4.8 V Output voltage varies with fuel tank temperature.
133 (L)	152 (GR)	Ignition switch	Input	[Ignition switch: OFF]	0 V
				[Ignition switch: ON]	BATTERY VOLTAGE (11 - 14 V)

A
EC
C
D
E
F
G
H
I
J
K
L
M
N
O
P

ECM

< ECU DIAGNOSIS INFORMATION >

[VQ35DE]

Terminal No.		Description		Condition	Value (Approx.)
+	—	Signal name	Input/ Output		
134 (G)	135 (R)	ASCD steering switch	Input	[Ignition switch: ON] MAIN switch: Pressed	0 V
				[Ignition switch: ON] CANCEL switch: Pressed	1 V
				[Ignition switch: ON] RES/+ switch: Pressed	2.26 V
				[Ignition switch: ON] SET/- switch: Pressed	1.46 V
		ICC steering switch	Input	[Ignition switch: ON] MAIN switch: Pressed	0 V
				[Ignition switch: ON] CANCEL switch: Pressed	1.18 V
				[Ignition switch: ON] DISTANCE switch: Pressed	1.51 V
				[Ignition switch: ON] SET/- switch: Pressed	2.00 V
				[Ignition switch: ON] RES/+ switch: Pressed	2.71 V
		135 (R)		Sensor ground (ASCD steering switch)	—
139 (GR)	152 (GR)	Stop lamp switch	Input	[Ignition switch: OFF] Brake pedal: Fully released	0 V
				[Ignition switch: OFF] Brake pedal: Slightly depressed	BATTERY VOLTAGE (11 - 14 V)
140 (BR)	152 (GR)	Brake pedal position switch	Input	[Ignition switch: ON] Brake pedal: Slightly depressed	0 V
				[Ignition switch: ON] Brake pedal: Fully released	BATTERY VOLTAGE (11 - 14 V)
141 (Y)	152 (GR)	EVAP canister vent control valve	Output	[Ignition switch: ON]	BATTERY VOLTAGE (11 - 14 V)
142 (SB)	144 (G)	Sensor power supply (Accelerator pedal position sensor 2)	—	[Ignition switch: ON]	5 V
143 (P)	144 (G)	Accelerator pedal position sensor 2	Input	[Ignition switch: ON] • Engine stopped • Accelerator pedal: Fully released	0.25 - 0.50 V
				[Ignition switch: ON] • Engine stopped • Accelerator pedal: Fully depressed	2.0 - 2.5 V
144 (G)	—	Sensor ground (Accelerator pedal position sensor 2)	—	—	—
145 (LG)	152 (GR)	Power supply for ECM	Input	[Ignition switch: ON]	BATTERY VOLTAGE (11 - 14 V)
146 (BR)	151 (R)	Sensor power supply (Accelerator pedal position sensor 1)	—	[Ignition switch: ON]	5 V

ECM

< ECU DIAGNOSIS INFORMATION >

[VQ35DE]

Terminal No.		Description		Condition	Value (Approx.)
+	—	Signal name	Input/Output		
147 (GR) 149 (GR) 152 (GR)	—	ECM ground	—	—	—
148 (R)	—	Sensor ground (EVAP control system pressure sensor, Fuel tank temperature sensor)	—	—	—
150 (W)	151 (R)	Accelerator pedal position sensor 1	Input	[Ignition switch: ON] • Engine stopped • Accelerator pedal: Fully released	0.5 - 1.0 V
				[Ignition switch: ON] • Engine stopped • Accelerator pedal: Fully depressed	4.2 - 4.8 V
151 (R)	—	Sensor ground (Accelerator pedal position sensor 1)	—	—	—

★: Average voltage for pulse signal (Actual pulse signal can be confirmed by oscilloscope.)

*1: This may vary depending on internal resistance of the tester.

*2: Before measuring the terminal voltage, confirm that the battery is fully charged. Refer to [PG-92, "How to Handle Battery"](#).

Fail-safe

INFOID:000000011939692

NON DTC RELATED ITEM

Engine operating condition in fail-safe mode	Detected items	Remarks	Reference page
Engine speed will not rise more than 2,500 rpm due to the fuel cut	Malfunction indicator lamp circuit	When there is an open circuit on MIL circuit, the ECM cannot warn the driver by illuminating MIL when there is malfunction on engine control system. Therefore, when electrical controlled throttle and part of ECM related diagnoses are continuously detected as NG for 5 trips, ECM warns the driver that engine control system malfunctions and MIL circuit is open by means of operating the fail-safe function. The fail-safe function also operates when above diagnoses except MIL circuit are detected and demands the driver to repair the malfunction.	EC-561

DTC RELATED ITEM

DTC No.	Detected items	Engine operating condition in fail-safe mode
P0011 P0021	Intake valve timing control	<ul style="list-style-type: none"> • The signal is not energized to the intake valve timing control solenoid valve and the valve control does not function. • ECM activates the IVT intermediate lock control solenoid valve to bring the cam sprocket into an intermediate lock condition.
P0014 P0024	Exhaust valve timing control	The signal is not energized to the exhaust valve timing control solenoid valve and the valve control does not function.
P0101 P0102 P0103	Mass air flow sensor circuit	Engine speed will not rise more than 2,400 rpm due to the fuel cut.

ECM

< ECU DIAGNOSIS INFORMATION >

[VQ35DE]

DTC No.	Detected items	Engine operating condition in fail-safe mode	
P0117 P0118	Engine coolant temperature sensor circuit	Engine coolant temperature will be determined by ECM based on the following condition. CONSULT displays the engine coolant temperature decided by ECM.	
		Condition	Engine coolant temperature decided (CONSULT display)
		Just as ignition switch is turned ON or START	40°C (104°F)
		Approx 4 minutes or more after engine starting	80°C (176°F)
		Except as shown above	40 - 80°C (104 - 176°F) (Depends on the time)
		When the fail-safe system for engine coolant temperature sensor is activated, the cooling fan operates while engine is running.	
P0122 P0123 P0222 P0223 P2135	Throttle position sensor	The ECM controls the electric throttle control actuator in regulating the throttle opening in order for the idle position to be within +10 degrees. The ECM regulates the opening speed of the throttle valve to be slower than the normal condition. Therefore, the acceleration will be poor.	
P0196 P0197 P0198	Engine oil temperature sensor	Intake valve timing control does not function.	
P0500	Vehicle speed sensor	The cooling fan operates (Highest) while engine is running.	
P0524	Engine oil pressure	<ul style="list-style-type: none"> • ECM illuminates oil pressure warning lamp on the combination meter. • Engine speed will not rise more than 4,000 rpm due to the fuel cut. • Fail-safe is canceled when ignition switch OFF → ON. 	
P052A P052B P052C P052D	Intake valve timing intermediate lock control	—	
P0603 P0607	ECM	Engine torque may be limited.	
P0604	ECM	<ul style="list-style-type: none"> • ECM stops the electric throttle control actuator control, throttle valve is maintained at a fixed opening (approx. 5 degrees) by the return spring. • The position of the following components is fixed. <ul style="list-style-type: none"> - Intake valve timing control solenoid valve - Exhaust valve timing control solenoid valve - Intake manifold runner control valve • ASCD operation may be deactivated. 	
P0605 P0606 P060B	ECM	<p>NOTE: Fail-safe may not occur depending on malfunction type.</p> <ul style="list-style-type: none"> • ECM stops the electric throttle control actuator control, throttle valve is maintained at a fixed opening (approx. 5 degrees) by the return spring. • The position of the following components is fixed. <ul style="list-style-type: none"> - Intake valve timing control solenoid valve - Exhaust valve timing control solenoid valve - Intake manifold runner control valve • ASCD operation may be deactivated. 	
P060A	ECM	<p>NOTE: Fail-safe may not occur depending on malfunction type.</p> <ul style="list-style-type: none"> • ECM stops the electric throttle control actuator control, throttle valve is maintained at a fixed opening (approx. 5 degrees) by the return spring. • The position of the following components is fixed. <ul style="list-style-type: none"> - Intake valve timing control solenoid valve - Exhaust valve timing control solenoid valve - Intake manifold runner control valve • Engine torque may be limited. • ASCD operation may be deactivated. 	

ECM

< ECU DIAGNOSIS INFORMATION >

[VQ35DE]

DTC No.	Detected items	Engine operating condition in fail-safe mode						
P0643	Sensor power supply	<ul style="list-style-type: none"> • ECM stops the electric throttle control actuator control, throttle valve is maintained at a fixed opening (approx. 5 degrees) by the return spring. • The position of the following components is fixed. <ul style="list-style-type: none"> - Intake valve timing control solenoid valve - Exhaust valve timing control solenoid valve - Intake manifold runner control valve 						
P1805	Brake switch	ECM controls the electric throttle control actuator by regulating the throttle opening to a small range. Therefore, acceleration will be poor.						
		<table border="1" style="width: 100%; border-collapse: collapse;"> <thead> <tr> <th style="width: 50%;">Vehicle condition</th> <th style="width: 50%;">Driving condition</th> </tr> </thead> <tbody> <tr> <td>When engine is idling</td> <td>Normal</td> </tr> <tr> <td>When accelerating</td> <td>Poor acceleration</td> </tr> </tbody> </table>	Vehicle condition	Driving condition	When engine is idling	Normal	When accelerating	Poor acceleration
		Vehicle condition	Driving condition					
		When engine is idling	Normal					
When accelerating	Poor acceleration							
When engine is idling	Normal							
When accelerating	Poor acceleration							
P2100 P2103	Throttle control motor relay	ECM stops the electric throttle control actuator control, throttle valve is maintained at a fixed opening (approx. 5 degrees) by the return spring.						
P2101	Electric throttle control function	ECM stops the electric throttle control actuator control, throttle valve is maintained at a fixed opening (approx. 5 degrees) by the return spring.						
P2118	Throttle control motor	ECM stops the electric throttle control actuator control, throttle valve is maintained at a fixed opening (approx. 5 degrees) by the return spring.						
P2119	Electric throttle control actuator	(When electric throttle control actuator does not function properly due to the return spring malfunction:) ECM controls the electric throttle actuator by regulating the throttle opening around the idle position. The engine speed will not rise more than 2,000 rpm.						
		(When throttle valve opening angle in fail-safe mode is not in specified range:) ECM controls the electric throttle control actuator by regulating the throttle opening to 20 degrees or less.						
		(When ECM detects the throttle valve is stuck open:) While the vehicle is being driven, it slows down gradually because of fuel cut. After the vehicle stops, the engine stalls. The engine can restart in the N or P position, and engine speed will not exceed 1,000 rpm or more.						
P2122 P2123 P2127 P2128 P2138	Accelerator pedal position sensor	The ECM controls the electric throttle control actuator in regulating the throttle opening in order for the idle position to be within +10 degrees. The ECM regulates the opening speed of the throttle valve to be slower than the normal condition. Therefore, the acceleration will be poor.						

DTC Inspection Priority Chart

INFOID:000000011939693

If some DTCs are displayed at the same time, perform inspections one by one based on the following priority chart.

ECM

< ECU DIAGNOSIS INFORMATION >

[VQ35DE]

Priority	Detected items (DTC)	Detected items (DTC)
1	U0101, U1000, U1001	CAN communication line
	P0101, P0102, P0103	Mass air flow sensor
	P0111, P0112, P0113, P0127	Intake air temperature sensor
	P0116, P0117, P0118, P0125	Engine coolant temperature sensor
	P0122, P0123, P0222, P0223, P1225, P1226, P2135	Throttle position sensor
	P0128	Thermostat function
	P0181, P0182, P0183	Fuel tank temperature sensor
	P0196, P0197, P0198	Engine oil temperature sensor
	P0327, P0328, P0332, P0333	Knock sensor
	P0335	Crankshaft position sensor (POS)
	P0340, P0345	Camshaft position sensor (PHASE)
	P0460, P0461, P0462, P0463	Fuel level sensor
	P0500	Vehicle speed sensor
	P0520	EOP sensor
	P0603, P0604, P0605, P0606, P0607, P060A, P060B, P062F, P2610	ECM
	P0643	Sensor power supply
	P0850	Transmission range switch
	P1078, P1084	Exhaust valve timing control position sensor
	P1550, P1551, P1552, P1553, P1554	Battery current sensor
	P1556, P1557	Battery temperature sensor
P1610 - P1615	NATS	
P2122, P2123, P2127, P2128, P2138	Accelerator pedal position sensor	
2	P0030, P0031, P0032, P0036, P0051, P0052	Air fuel ratio (A/F) sensor 1 heater
	P0037, P0038, P0057, P0058	Heated oxygen sensor 2 heater
	P0075, P0081	Intake valve timing control solenoid valve/Intake valve timing intermediate lock control solenoid valve
	P0078, P0084	Exhaust valve timing control solenoid valve
	P0130, P0131, P0132, P014C, P014D, P014E, P014F, P0150, P0151, P0152, P015A, P015B, P015C, P015D, P2096, P2097, P2098, P2099	Air fuel ratio (A/F) sensor 1
	P0137, P0138, P0139, P0157, P0158, P0159	Heated oxygen sensor 2
	P0441	EVAP control system purge flow monitoring
	P0443, P0444, P0445	EVAP canister purge volume control solenoid valve
	P0447, P0448	EVAP canister vent control valve
	P0451, P0452, P0453	EVAP control system pressure sensor
	P1217	Engine over temperature (OVERHEAT)
	P1800, P1801	VIAS control solenoid valve
	P1805	Brake switch
	P2100, P2103	Throttle control motor relay
	P2101	Electric throttle control function
	P2118	Throttle control motor

ECM

< ECU DIAGNOSIS INFORMATION >

[VQ35DE]

Priority	Detected items (DTC)	Detected items (DTC)
3	P0011, P0021, P052A, P052B, P052C, P052D	Intake valve timing control
	P0014, P0024	Exhaust valve timing control
	P0171, P0172, P0174, P0175	Fuel injection system function
	P0300 - P0306	Misfire
	P0420, P0430	Three way catalyst function
	P0456	EVAP control system (VERY SMALL LEAK)
	P0506, P0507	Idle speed control system
	P050A, P050E	Cold start control
	P0524	Engine oil pressure
	P1148, P1168	Closed loop control
	P1212	TCS communication line
	P1564	ASCD steering switch / ICC steering switch
	P1568	ICC function
	P1572	Brake pedal position switch
	P1574	ASCD vehicle speed sensor / ICC vehicle speed sensor
	P1715	Primary speed sensor
	P2119	Electric throttle control actuator
P219A, P219B	Air fuel ratio (A/F) sensor 1	

DTC Index

INFOID:0000000011939694

EXCEPT FOR MEXICO

×:Applicable —: Not applicable

DTC*1		Items (CONSULT screen terms)	SRT code	Trip	MIL	Permanent DTC group*4	Reference page
CONSULT GST*2	ECM*3						
U0101	0101*5	LOST COMM (TCM)	—	1	×	B	EC-194
U1000	1000*5	CAN COMM CIRCUIT	—	2	—	—	EC-195
U1001	1001*5	CAN COMM CIRCUIT	—	1	—	—	EC-196
P0000	0000	NO DTC IS DETECTED. FURTHER TESTING MAY BE REQUIRED.	—	—	Blinking*6	—	—
P0011	0011	INT/V TIM CONT-B1	×	2	×	B	EC-197
P0014	0014	EXH/V TIM CONT-B1	—	2	×	B	EC-201
P0021	0021	INT/V TIM CONT-B2	×	2	×	B	EC-197
P0024	0024	EXH/V TIM CONT-B2	—	2	×	B	EC-201
P0030	0030	A/F SEN1 HTR (B1)	—	2	×	B	EC-207
P0031	0031	A/F SEN1 HTR (B1)	—	2	×	B	EC-207
P0032	0032	A/F SEN1 HTR (B1)	—	2	×	B	EC-207
P0036	0036	A/F SEN1 HTR (B2)	—	2	×	B	EC-207
P0037	0037	HO2S2 HTR (B1)	—	2	×	B	EC-210
P0038	0038	HO2S2 HTR (B1)	—	2	×	B	EC-210
P0051	0051	A/F SEN1 HTR (B2)	—	2	×	B	EC-207
P0052	0052	A/F SEN1 HTR (B2)	—	2	×	B	EC-207
P0057	0057	HO2S2 HTR (B2)	—	2	×	B	EC-210
P0058	0058	HO2S2 HTR (B2)	—	2	×	B	EC-210

ECM

< ECU DIAGNOSIS INFORMATION >

[VQ35DE]

DTC*1		Items (CONSULT screen terms)	SRT code	Trip	MIL	Permanent DTC group*4	Reference page
CONSULT GST*2	ECM*3						
P0075	0075	INT/V TIM V/CIR-B1	—	2	x	B	EC-213
P0078	0078	EX V/T ACT/CIRC-B1	—	2	x	B	EC-213
P0081	0081	INT/V TIM V/CIR-B2	—	2	x	B	EC-213
P0084	0084	EX V/T ACT/CIRC-B2	—	2	x	B	EC-218
P0101	0101	MAF SEN/CIRCUIT-B1	—	2	x	B	EC-221
P0102	0102	MAF SEN/CIRCUIT-B1	—	1	x	B	EC-226
P0103	0103	MAF SEN/CIRCUIT-B1	—	1	x	B	EC-226
P0111	0111	IAT SENSOR 1 B1	—	2	x	A	EC-232
P0112	0112	IAT SEN/CIRCUIT-B1	—	2	x	B	EC-234
P0113	0113	IAT SEN/CIRCUIT-B1	—	2	x	B	EC-234
P0116	0116	ECT SEN/CIRC	—	2	x	A	EC-236
P0117	0117	ECT SEN/CIRC	—	1	x	B	EC-238
P0118	0118	ECT SEN/CIRC	—	1	x	B	EC-238
P0122	0122	TP SEN 2/CIRC-B1	—	1	x	B	EC-241
P0123	0123	TP SEN 2/CIRC-B1	—	1	x	B	EC-241
P0125	0125	ECT SENSOR	—	2	x	B	EC-244
P0127	0127	IAT SENSOR-B1	—	2	x	B	EC-247
P0128	0128	THERMSTAT FNCTN	—	2	x	A	EC-249
P0130	0130	A/F SENSOR1 (B1)	—	2	x	A	EC-252
P0131	0131	A/F SENSOR1 (B1)	—	2	x	B	EC-256
P0132	0132	A/F SENSOR1 (B1)	—	2	x	B	EC-259
P0137	0137	HO2S2 (B1)	x	2	x	A	EC-262
P0138	0138	HO2S2 (B1)	x	2	x	A	EC-268
P0139	0139	HO2S2 (B1)	x	2	x	A	EC-276
P014C	014C	A/F SENSOR1 (B1)	x	2	x	A	EC-282
P014D	014D	A/F SENSOR1 (B1)	x	2	x	A	EC-282
P014E	014E	A/F SENSOR1 (B2)	x	2	x	A	EC-282
P014F	014F	A/F SENSOR1 (B2)	x	2	x	A	EC-282
P0150	0150	A/F SENSOR1 (B2)	—	2	x	A	EC-252
P0151	0151	A/F SENSOR1 (B2)	—	2	x	B	EC-256
P0152	0152	A/F SENSOR1 (B2)	—	2	x	B	EC-259
P0157	0157	HO2S2 (B2)	x	2	x	A	EC-262
P0158	0158	HO2S2 (B2)	x	2	x	A	EC-268
P0159	0159	HO2S2 (B2)	x	2	x	A	EC-276
P015A	015A	A/F SENSOR1 (B1)	x	2	x	A	EC-282
P015B	015B	A/F SENSOR1 (B1)	x	2	x	A	EC-282
P015C	015C	A/F SENSOR1 (B2)	x	2	x	A	EC-282
P015D	015D	A/F SENSOR1 (B2)	x	2	x	A	EC-282
P0171	0171	FUEL SYS-LEAN-B1	—	2	x	B	EC-289
P0172	0172	FUEL SYS-RICH-B1	—	2	x	B	EC-294
P0174	0174	FUEL SYS-LEAN-B2	—	2	x	B	EC-289
P0175	0175	FUEL SYS-RICH-B2	—	2	x	B	EC-294

ECM

< ECU DIAGNOSIS INFORMATION >

[VQ35DE]

DTC*1		Items (CONSULT screen terms)	SRT code	Trip	MIL	Permanent DTC group*4	Reference page	
CONSULT GST*2	ECM*3							
P0181	0181	FTT SENSOR	—	2	×	A and B	EC-299	A
P0182	0182	FTT SEN/CIRCUIT	—	2	×	B	EC-303	EC
P0183	0183	FTT SEN/CIRCUIT	—	2	×	B	EC-303	
P0196	0196	EOT SENSOR	—	2	×	A and B	EC-306	C
P0197	0197	EOT SEN/CIRC	—	2	×	B	EC-310	
P0198	0198	EOT SEN/CIRC	—	2	×	B	EC-310	D
P0222	0222	TP SEN 1/CIRC-B1	—	1	×	B	EC-312	
P0223	0223	TP SEN 1/CIRC-B1	—	1	×	B	EC-312	
P0300	0300	MULTI CYL MISFIRE	—	1 or 2	×	B	EC-315	E
P0301	0301	CYL 1 MISFIRE	—	1 or 2	×	B	EC-315	
P0302	0302	CYL 2 MISFIRE	—	1 or 2	×	B	EC-315	F
P0303	0303	CYL 3 MISFIRE	—	1 or 2	×	B	EC-315	
P0304	0304	CYL 4 MISFIRE	—	1 or 2	×	B	EC-315	G
P0305	0305	CYL 5 MISFIRE	—	1 or 2	×	B	EC-315	
P0306	0306	CYL 6 MISFIRE	—	1 or 2	×	B	EC-315	H
P0327	0327	KNOCK SEN/CIRC-B1	—	2	—	—	EC-323	
P0328	0328	KNOCK SEN/CIRC-B1	—	2	—	—	EC-323	
P0332	0332	KNOCK SEN/CIRC-B2	—	2	—	—	EC-323	I
P0333	0333	KNOCK SEN/CIRC-B2	—	2	—	—	EC-323	
P0335	0335	CKP SEN/CIRCUIT	—	2	×	B	EC-326	J
P0340	0340	CMP SEN/CIRC-B1	—	2	×	B	EC-330	
P0345	0345	CMP SEN/CIRC-B2	—	2	×	B	EC-330	K
P0420	0420	TW CATALYST SYS-B1	×	2	×	A	EC-335	
P0430	0430	TW CATALYST SYS-B2	×	2	×	A	EC-335	L
P0441	0441	EVAP PURG FLOW/MON	×	2	×	A	EC-341	
P0443	0443	PURG VOLUME CONT/V	—	2	×	A	EC-347	M
P0444	0444	PURG VOLUME CONT/V	—	2	×	B	EC-352	
P0445	0445	PURG VOLUME CONT/V	—	2	×	B	EC-352	N
P0447	0447	VENT CONTROL VALVE	—	2	×	B	EC-355	
P0448	0448	VENT CONTROL VALVE	—	2	×	B	EC-359	O
P0451	0451	EVAP SYS PRES SEN	—	2	×	A	EC-363	
P0452	0452	EVAP SYS PRES SEN	—	2	×	B	EC-367	
P0453	0453	EVAP SYS PRES SEN	—	2	×	B	EC-370	P
P0456	0456	EVAP VERY SML LEAK	× ^{*7}	2	×	A	EC-374	
P0460	0460	FUEL LEV SEN SLOSH	—	2	×	A	EC-380	
P0461	0461	FUEL LEVEL SENSOR	—	2	×	B	EC-382	
P0462	0462	FUEL LEVL SEN/CIRC	—	2	×	B	EC-384	
P0463	0463	FUEL LEVL SEN/CIRC	—	2	×	B	EC-384	
P0500	0500	VEH SPEED SEN/CIRC*8	—	2	×	B	EC-386	
P0506	0506	ISC SYSTEM	—	2	×	B	EC-389	
P0507	0507	ISC SYSTEM	—	2	×	B	EC-391	
P050A	050A	COLD START CONTROL	—	2	×	A	EC-393	

ECM

< ECU DIAGNOSIS INFORMATION >

[VQ35DE]

DTC*1		Items (CONSULT screen terms)	SRT code	Trip	MIL	Permanent DTC group*4	Reference page
CONSULT GST*2	ECM*3						
P050E	050E	COLD START CONTROL	—	2	×	A	EC-393
P0520	0520	EOP SENSOR/SWITCH	—	2	—	—	EC-396
P0524	0524	ENGINE OIL PRESSURE	—	1	—	—	EC-400
P052A	052A	CAMSHAFT POSITION TIMING B1	×	2	×	B	EC-404
P052B	052B	CAMSHAFT POSITION TIMING B1	×	2	×	B	EC-404
P052C	052C	CAMSHAFT POSITION TIMING B2	×	2	×	B	EC-404
P052D	052D	CAMSHAFT POSITION TIMING B2	×	2	×	B	EC-404
P0603	0603	ECM BACK UP/CIRCUIT	—	2	×	B	EC-411
P0604	0604	ECM	—	1	×	B	EC-413
P0605	0605	ECM	—	1 or 2	×	B	EC-415
P0606	0606	CONTROL MODULE	—	1	× or —	B	EC-417
P0607	0607	ECM	—	1 or 2	× or —	B	EC-419
P060A	060A	CONTROL MODULE	—	1	×	B	EC-420
P060B	060B	CONTROL MODULE	—	1	×	B	EC-422
P062F	062F	CONTROL MODULE	—	1	×	B	EC-411
P0643	0643	SENSOR POWER/CIRC	—	1	×	B	EC-424
P0850	0850	P-N POS SW/CIRCUIT	—	2	×	B	EC-427
P1078	1078	EXH TIM SEN/CIRC-B1	—	2	×	B	EC-430
P1084	1084	EXH TIM SEN/CIRC-B2	—	2	×	B	EC-430
P1148	1148	CLOSED LOOP-B1	—	1	×	A	EC-434
P1168	1168	CLOSED LOOP-B2	—	1	×	A	EC-434
P1212	1212	TCS/CIRC	—	2	—	—	EC-435
P1217	1217	ENG OVER TEMP	—	1	×	B	EC-437
P1225	1225	CTP LEARNING-B1	—	2	—	—	EC-440
P1226	1226	CTP LEARNING-B1	—	2	—	—	EC-442
P1550	1550	BAT CURRENT SENSOR	—	2	—	—	EC-444
P1551	1551	BAT CURRENT SENSOR	—	2	—	—	EC-447
P1552	1552	BAT CURRENT SENSOR	—	2	—	—	EC-447
P1553	1553	BAT CURRENT SENSOR	—	2	—	—	EC-450
P1554	1554	BAT CURRENT SENSOR	—	2	—	—	EC-453
P1556	1556	BAT TMP SEN/CIRC	—	2	—	—	EC-456
P1557	1557	BAT TMP SEN/CIRC	—	2	—	—	EC-456
P1564	1564	ASCD SW	—	1	—	—	EC-459 (With ASCD) EC-462 (With ICC)
P1568	1568	ICC COMMAND VALUE	—	1	—	—	EC-465
P1572	1572	ASCD BRAKE SW	—	1	—	—	EC-467 (With ASCD) EC-475 (With ICC)

ECM

< ECU DIAGNOSIS INFORMATION >

[VQ35DE]

DTC*1		Items (CONSULT screen terms)	SRT code	Trip	MIL	Permanent DTC group*4	Reference page
CONSULT GST*2	ECM*3						
P1574	1574	ASCD VHL SPD SEN	—	1	—	—	EC-482 (With ASCD) EC-484 (With ICC)
P1610	1610	LOCK MODE	—	2	—	—	SEC-58
P1611	1611	ID DISCORD, IMM-ECM	—	2	—	—	SEC-60
P1612	1612	CHAIN OF ECM-IMMU	—	2	—	—	SEC-62
P1615	1615	DIFFERENCE OF KEY	—	2	—	—	SEC-64
P1800	1800	VIAS S/V CIRC-B1	—	2	—	—	EC-487
P1801	1801	VIAS S/V CIRC-B2	—	2	—	—	EC-490
P1805	1805	BRAKE SW/CIRCUIT	—	2	—	—	EC-493
P2096	2096	POST CAT FUEL TRIM SYS B1	—	2	×	A	EC-497
P2097	2097	POST CAT FUEL TRIM SYS B1	—	2	×	A	EC-497
P2098	2098	POST CAT FUEL TRIM SYS B2	—	2	×	A	EC-497
P2099	2099	POST CAT FUEL TRIM SYS B2	—	2	×	A	EC-497
P2100	2100	ETC MOT PWR-B1	—	1	×	B	EC-502
P2101	2101	ETC FNCTN/CIRC-B1	—	1	×	B	EC-504
P2103	2103	ETC MOT PWR-B1	—	1	×	B	EC-502
P2118	2118	ETC MOT-B1	—	1	×	B	EC-507
P2119	2119	ETC ACTR-B1	—	1	×	B	EC-509
P2122	2122	APP SEN 1/CIRC	—	1	×	B	EC-511
P2123	2123	APP SEN 1/CIRC	—	1	×	B	EC-511
P2127	2127	APP SEN 2/CIRC	—	1	×	B	EC-514
P2128	2128	APP SEN 2/CIRC	—	1	×	B	EC-514
P2135	2135	TP SENSOR-B1	—	1	×	B	EC-518
P2138	2138	APP SENSOR	—	1	×	B	EC-521
P219A	219A	AIR FUEL RATIO IMBAL- ANCE B1	—	2	×	A	EC-525
P219B	219B	AIR FUEL RATIO IMBAL- ANCE B2	—	2	×	A	EC-525
P2610	2610	ECM/PCM INTERNAL ENG OFF TIMER	—	2	×	A and B	EC-531

*1: 1st trip DTC No. is the same as DTC No.

*2: This number is prescribed by SAE J2012/ISO 15031-6.

*3: In Diagnostic Test Mode II (Self-diagnostic results), this number is controlled by NISSAN.

*4: Refer to [EC-176](#). "Description".

*5: The troubleshooting for this DTC needs CONSULT.

*6: When the ECM is in the mode displays SRT status, MIL may blink. For the details, refer to "How to Display SRT Status".

*7: SRT code will not be set if the self-diagnostic result is NG.

*8: When the fail-safe operations for both self-diagnoses occur, the MIL illuminates.

*9: When erasing this DTC, always use CONSULT or GST.

FOR MEXICO

ECM

< ECU DIAGNOSIS INFORMATION >

[VQ35DE]

x:Applicable —: Not applicable

DTC*1		Items (CONSULT screen terms)	SRT code	Trip	MIL	Reference page
CONSULT GST*2	ECM*3					
U0101	0101*4	LOST COMM (TCM)	—	1	×	EC-194
U1000	1000*4	CAN COMM CIRCUIT	—	2	—	EC-195
U1001	1001*4	CAN COMM CIRCUIT	—	1	—	EC-196
P0000	0000	NO DTC IS DETECTED. FURTHER TESTING MAY BE REQUIRED.	—	—	Blinking*5	—
P0011	0011	INT/V TIM CONT-B1	×	2	×	EC-197
P0014	0014	EXH/V TIM CONT-B1	—	2	×	EC-201
P0021	0021	INT/V TIM CONT-B2	×	2	×	EC-197
P0024	0024	EXH/V TIM CONT-B2	—	2	×	EC-201
P0031	0031	A/F SEN1 HTR (B1)	—	2	×	EC-207
P0032	0032	A/F SEN1 HTR (B1)	—	2	×	EC-207
P0037	0037	HO2S2 HTR (B1)	—	2	×	EC-210
P0038	0038	HO2S2 HTR (B1)	—	2	×	EC-210
P0051	0051	A/F SEN1 HTR (B2)	—	2	×	EC-207
P0052	0052	A/F SEN1 HTR (B2)	—	2	×	EC-207
P0057	0057	HO2S2 HTR (B2)	—	2	×	EC-210
P0058	0058	HO2S2 HTR (B2)	—	2	×	EC-210
P0075	0075	INT/V TIM V/CIR-B1	—	2	×	EC-213
P0078	0078	EX V/T ACT/CIRC-B1	—	2	×	EC-213
P0081	0081	INT/V TIM V/CIR-B2	—	2	×	EC-213
P0084	0084	EX V/T ACT/CIRC-B2	—	2	×	EC-218
P0102	0102	MAF SEN/CIRCUIT-B1	—	1	×	EC-226
P0103	0103	MAF SEN/CIRCUIT-B1	—	1	×	EC-226
P0112	0112	IAT SEN/CIRCUIT-B1	—	2	×	EC-234
P0113	0113	IAT SEN/CIRCUIT-B1	—	2	×	EC-234
P0117	0117	ECT SEN/CIRC	—	1	×	EC-238
P0118	0118	ECT SEN/CIRC	—	1	×	EC-238
P0122	0122	TP SEN 2/CIRC-B1	—	1	×	EC-241
P0123	0123	TP SEN 2/CIRC-B1	—	1	×	EC-241
P0130	0130	A/F SENSOR1 (B1)	—	2	×	EC-252
P0131	0131	A/F SENSOR1 (B1)	—	2	×	EC-256
P0132	0132	A/F SENSOR1 (B1)	—	2	×	EC-259
P0137	0137	HO2S2 (B1)	×	2	×	EC-262
P0138	0138	HO2S2 (B1)	×	2	×	EC-268
P0139	0139	HO2S2 (B1)	×	2	×	EC-276
P014C	014C	A/F SENSOR1 (B1)	×	2	×	EC-282
P014D	014D	A/F SENSOR1 (B1)	×	2	×	EC-282
P014E	014E	A/F SENSOR1 (B2)	×	2	×	EC-282
P014F	014F	A/F SENSOR1 (B2)	×	2	×	EC-282
P0150	0150	A/F SENSOR1 (B2)	—	2	×	EC-252
P0151	0151	A/F SENSOR1 (B2)	—	2	×	EC-256

ECM

< ECU DIAGNOSIS INFORMATION >

[VQ35DE]

DTC*1		Items (CONSULT screen terms)	SRT code	Trip	MIL	Reference page	
CONSULT GST*2	ECM*3						
P0152	0152	A/F SENSOR1 (B2)	—	2	×	EC-259	EC
P0157	0157	HO2S2 (B2)	×	2	×	EC-262	
P0158	0158	HO2S2 (B2)	×	2	×	EC-268	C
P0159	0159	HO2S2 (B2)	×	2	×	EC-276	
P0171	0171	FUEL SYS-LEAN-B1	—	2	×	EC-289	
P0172	0172	FUEL SYS-RICH-B1	—	2	×	EC-294	D
P0174	0174	FUEL SYS-LEAN-B2	—	2	×	EC-289	
P0175	0175	FUEL SYS-RICH-B2	—	2	×	EC-294	
P0182	0182	FTT SEN/CIRCUIT	—	2	×	EC-303	E
P0183	0183	FTT SEN/CIRCUIT	—	2	×	EC-303	
P0196	0196	EOT SENSOR	—	2	×	EC-306	F
P0197	0197	EOT SEN/CIRC	—	2	×	EC-310	
P0198	0198	EOT SEN/CIRC	—	2	×	EC-310	
P0222	0222	TP SEN 1/CIRC-B1	—	1	×	EC-312	G
P0223	0223	TP SEN 1/CIRC-B1	—	1	×	EC-312	
P0300	0300	MULTI CYL MISFIRE	—	1 or 2	×	EC-315	H
P0301	0301	CYL 1 MISFIRE	—	1 or 2	×	EC-315	
P0302	0302	CYL 2 MISFIRE	—	1 or 2	×	EC-315	
P0303	0303	CYL 3 MISFIRE	—	1 or 2	×	EC-315	I
P0304	0304	CYL 4 MISFIRE	—	1 or 2	×	EC-315	
P0305	0305	CYL 5 MISFIRE	—	1 or 2	×	EC-315	
P0306	0306	CYL 6 MISFIRE	—	1 or 2	×	EC-315	J
P0327	0327	KNOCK SEN/CIRC-B1	—	2	—	EC-323	
P0328	0328	KNOCK SEN/CIRC-B1	—	2	—	EC-323	K
P0332	0332	KNOCK SEN/CIRC-B2	—	2	—	EC-323	
P0333	0333	KNOCK SEN/CIRC-B2	—	2	—	EC-323	
P0335	0335	CKP SEN/CIRCUIT	—	2	×	EC-326	L
P0340	0340	CMP SEN/CIRC-B1	—	2	×	EC-330	
P0345	0345	CMP SEN/CIRC-B2	—	2	×	EC-330	M
P0420	0420	TW CATALYST SYS-B1	×	2	×	EC-335	
P0430	0430	TW CATALYST SYS-B2	×	2	×	EC-335	
P0444	0444	PURG VOLUME CONT/V	—	2	×	EC-352	N
P0452	0452	EVAP SYS PRES SEN	—	2	×	EC-367	
P0453	0453	EVAP SYS PRES SEN	—	2	×	EC-370	
P0462	0462	FUEL LEVL SEN/CIRC	—	2	×	EC-384	O
P0463	0463	FUEL LEVL SEN/CIRC	—	2	×	EC-384	
P0500	0500	VEH SPEED SEN/CIRC*7	—	2	×	EC-386	P
P0520	0520	EOP SENSOR/SWITCH	—	2	—	EC-396	
P0524	0524	ENGINE OIL PRESSURE	—	1	—	EC-400	
P052A	052A	CAMSHAFT POSITION TIMING B1	×	2	×	EC-404	
P052B	052B	CAMSHAFT POSITION TIMING B1	×	2	×	EC-404	

ECM

< ECU DIAGNOSIS INFORMATION >

[VQ35DE]

DTC*1		Items (CONSULT screen terms)	SRT code	Trip	MIL	Reference page
CONSULT GST*2	ECM*3					
P052C	052C	CAMSHAFT POSITION TIMING B2	×	2	×	EC-404
P052D	052D	CAMSHAFT POSITION TIMING B2	×	2	×	EC-404
P0603	0603	ECM BACK UP/CIRCUIT	—	2	×	EC-411
P0604	0604	ECM	—	1	×	EC-413
P0605	0605	ECM	—	1 or 2	×	EC-415
P0606	0606	CONTROL MODULE	—	1	× or —	EC-417
P0607	0607	ECM	—	1 or 2	× or —	EC-419
P060A	060A	CONTROL MODULE	—	1	×	EC-420
P060B	060B	CONTROL MODULE	—	1	×	EC-422
P062F	062F	CONTROL MODULE	—	1	×	EC-411
P0643	0643	SENSOR POWER/CIRC	—	1	×	EC-424
P0850	0850	P-N POS SW/CIRCUIT	—	2	×	EC-427
P1078	1078	EXH TIM SEN/CIRC-B1	—	2	×	EC-430
P1084	1084	EXH TIM SEN/CIRC-B2	—	2	×	EC-430
P1212	1212	TCS/CIRC	—	2	—	EC-435
P1217	1217	ENG OVER TEMP	—	1	×	EC-437
P1225	1225	CTP LEARNING-B1	—	2	—	EC-440
P1226	1226	CTP LEARNING-B1	—	2	—	EC-442
P1550	1550	BAT CURRENT SENSOR	—	2	—	EC-444
P1551	1551	BAT CURRENT SENSOR	—	2	—	EC-447
P1552	1552	BAT CURRENT SENSOR	—	2	—	EC-447
P1553	1553	BAT CURRENT SENSOR	—	2	—	EC-450
P1554	1554	BAT CURRENT SENSOR	—	2	—	EC-453
P1556	1556	BAT TMP SEN/CIRC	—	2	—	EC-456
P1557	1557	BAT TMP SEN/CIRC	—	2	—	EC-456
P1564	1564	ASCD SW	—	1	—	EC-459 (With ASCD) EC-462 (With ICC)
P1568	1568	ICC COMMAND VALUE	—	1	—	EC-465
P1572	1572	ASCD BRAKE SW	—	1	—	EC-467 (With ASCD) EC-475 (With ICC)
P1574	1574	ASCD VHL SPD SEN	—	1	—	EC-482 (With ASCD) EC-484 (With ICC)
P1610	1610	LOCK MODE	—	2	—	SEC-58
P1611	1611	ID DISCORD, IMM-ECM	—	2	—	SEC-60
P1612	1612	CHAIN OF ECM-IMMU	—	2	—	SEC-62
P1615	1615	DIFFERENCE OF KEY	—	2	—	SEC-64
P1800	1800	VIAS S/V CIRC-B1	—	2	—	EC-487
P1801	1801	VIAS S/V CIRC-B2	—	2	—	EC-490

ECM

< ECU DIAGNOSIS INFORMATION >

[VQ35DE]

DTC*1		Items (CONSULT screen terms)	SRT code	Trip	MIL	Reference page
CONSULT GST*2	ECM*3					
P1805	1805	BRAKE SW/CIRCUIT	—	2	—	EC-493
P2100	2100	ETC MOT PWR-B1	—	1	×	EC-502
P2101	2101	ETC FNCTN/CIRC-B1	—	1	×	EC-504
P2103	2103	ETC MOT PWR-B1	—	1	×	EC-502
P2118	2118	ETC MOT-B1	—	1	×	EC-507
P2119	2119	ETC ACTR-B1	—	1	×	EC-509
P2122	2122	APP SEN 1/CIRC	—	1	×	EC-511
P2123	2123	APP SEN 1/CIRC	—	1	×	EC-511
P2127	2127	APP SEN 2/CIRC	—	1	×	EC-514
P2128	2128	APP SEN 2/CIRC	—	1	×	EC-514
P2135	2135	TP SENSOR-B1	—	1	×	EC-518
P2138	2138	APP SENSOR	—	1	×	EC-521

*1: 1st trip DTC No. is the same as DTC No.

*2: This number is prescribed by SAE J2012/ISO 15031-6.

*3: In Diagnostic Test Mode II (Self-diagnostic results), this number is controlled by NISSAN.

*4: The troubleshooting for this DTC needs CONSULT.

*5: When the ECM is in the mode displays SRT status, MIL may blink. For the details, refer to "How to Display SRT Status".

*6: SRT code will not be set if the self-diagnostic result is NG.

*7: When the fail-safe operations for both self-diagnoses occur, the MIL illuminates.

*8: When erasing this DTC, always use CONSULT or GST.

Test Value and Test Limit

INFOID:0000000012375598

The following is the information specified in Service \$06 of SAE J1979/ISO 15031-5.

The test value is a parameter used to determine whether a system/circuit diagnostic test is OK or NG while being monitored by the ECM during self-diagnosis. The test limit is a reference value which is specified as the maximum or minimum value and is compared with the test value being monitored.

These data (test value and test limit) are specified by On Board Monitor ID (OBDMID), Test ID (TID), Unit and Scaling ID and can be displayed on the GST screen.

The items of the test value and test limit will be displayed with GST screen which items are provided by the ECM. (e.g., if bank 2 is not applied on this vehicle, only the items of bank 1 are displayed)

ECM

< ECU DIAGNOSIS INFORMATION >

[VQ35DE]

Item	OBD-MID	Self-diagnostic test item	DTC	Test value and Test limit (GST display)		Description
				TID	Unit and Scaling ID	
HO2S	01H	Air fuel ratio (A/F) sensor 1 (Bank 1)	P0131	83H	0BH	Minimum sensor output voltage for test cycle
			P0131	84H	0BH	Maximum sensor output voltage for test cycle
			P0130	85H	0BH	Minimum sensor output voltage for test cycle
			P0130	86H	0BH	Maximum sensor output voltage for test cycle
			P0133	87H	04H	Response rate: Response ratio (lean to rich)
			P0133	88H	04H	Response rate: Response ratio (rich to lean)
			P2A00 or P2096	89H	84H	The amount of shift in air fuel ratio (too lean)
			P2A00 or P2097	8AH	84H	The amount of shift in air fuel ratio (too rich)
			P0130	8BH	0BH	Difference in sensor output voltage
			P0133	8CH	83H	Response gain at the limited frequency
			P014C	8DH	04H	O2 sensor slow response - Rich to lean bank 1 sensor 1
			P014C	8EH	04H	O2 sensor slow response - Rich to lean bank 1 sensor 1
			P014D	8FH	84H	O2 sensor slow response - Lean to rich bank 1 sensor 1
			P014D	90H	84H	O2 sensor slow response - Lean to rich bank 1 sensor 1
			P015A	91H	01H	O2 sensor delayed response - Rich to lean bank 1 sensor 1
			P015A	92H	01H	O2 sensor delayed response - Rich to lean bank 1 sensor 1
			P015B	93H	01H	O2 sensor delayed response - Lean to rich bank 1 sensor 1
			P015B	94H	01H	O2 sensor delayed response - Lean to rich bank 1 sensor 1
			P0133	95H	04H	Response rate: Response ratio (lean to rich)
			P0133	96H	84H	Response rate: Response ratio (rich to lean)

ECM

< ECU DIAGNOSIS INFORMATION >

[VQ35DE]

Item	OBD-MID	Self-diagnostic test item	DTC	Test value and Test limit (GST display)		Description
				TID	Unit and Scaling ID	
HO2S	02H	Heated oxygen sensor 2 (Bank 1)	P0138	07H	0CH	Minimum sensor output voltage for test cycle
			P0137	08H	0CH	Maximum sensor output voltage for test cycle
			P0138	80H	0CH	Sensor output voltage
			P0139	81H	0CH	Difference in sensor output voltage
			P0139	82H	11H	Rear O2 sensor delay response diagnosis
	03H	Heated oxygen sensor 3 (Bank 1)	P0143	07H	0CH	Minimum sensor output voltage for test cycle
			P0144	08H	0CH	Maximum sensor output voltage for test cycle
			P0146	80H	0CH	Sensor output voltage
			P0145	81H	0CH	Difference in sensor output voltage
	05H	Air fuel ratio (A/F) sensor 1 (Bank 2)	P0151	83H	0BH	Minimum sensor output voltage for test cycle
			P0151	84H	0BH	Maximum sensor output voltage for test cycle
			P0150	85H	0BH	Minimum sensor output voltage for test cycle
			P0150	86H	0BH	Maximum sensor output voltage for test cycle
			P0153	87H	04H	Response rate: Response ratio (lean to rich)
			P0153	88H	04H	Response rate: Response ratio (rich to lean)
			P2A03 or P2098	89H	84H	The amount of shift in air fuel ratio (too lean)
			P2A03 or P2099	8AH	84H	The amount of shift in air fuel ratio (too rich)
			P0150	8BH	0BH	Difference in sensor output voltage
			P0153	8CH	83H	Response gain at the limited frequency
			P014E	8DH	04H	O2 sensor slow response - Rich to lean bank 2 sensor 1
			P014E	8EH	04H	O2 sensor slow response - Rich to lean bank 2 sensor 1
			P014F	8FH	84H	O2 sensor slow response - Lean to rich bank 2 sensor 1
			P014F	90H	84H	O2 sensor slow response - Lean to rich bank 2 sensor 1
			P015C	91H	01H	O2 sensor delayed response - Rich to lean bank 2 sensor 1
			P015C	92H	01H	O2 sensor delayed response - Rich to lean bank 2 sensor 1
			P015D	93H	01H	O2 sensor delayed response - Lean to rich bank 2 sensor 1

A
EC
C
D
E
F
G
H
I
J
K
L
M
N
O
P

ECM

< ECU DIAGNOSIS INFORMATION >

[VQ35DE]

Item	OBD-MID	Self-diagnostic test item	DTC	Test value and Test limit (GST display)		Description
				TID	Unit and Scaling ID	
HO2S	05H	Air fuel ratio (A/F) sensor 1 (Bank 2)	P015D	94H	01H	O2 sensor delayed response - Lean to rich bank 2 sensor 1
			P0153	95H	04H	Response rate: Response ratio (lean to rich)
			P0153	96H	84H	Response rate: Response ratio (rich to lean)
	06H	Heated oxygen sensor 2 (Bank 2)	P0158	07H	0CH	Minimum sensor output voltage for test cycle
			P0157	08H	0CH	Maximum sensor output voltage for test cycle
			P0158	80H	0CH	Sensor output voltage
			P0159	81H	0CH	Difference in sensor output voltage
			P0159	82H	11H	Rear O2 sensor delay response diagnosis
	07H	Heated oxygen sensor 3 (Bank2)	P0163	07H	0CH	Minimum sensor output voltage for test cycle
			P0164	08H	0CH	Maximum sensor output voltage for test cycle
			P0166	80H	0CH	Sensor output voltage
			P0165	81H	0CH	Difference in sensor output voltage
	CATALYST	21H	Three way catalyst function (Bank1)	P0420	80H	01H
P0420				82H	01H	Switching time lag engine exhaust index value
P2423				83H	0CH	Difference in 3rd O2 sensor output voltage
P2423				84H	84H	O2 storage index in HC trap catalyst
22H		Three way catalyst function (Bank2)	P0430	80H	01H	O2 storage index
			P0430	82H	01H	Switching time lag engine exhaust index value
			P2424	83H	0CH	Difference in 3rd O2 sensor output voltage
			P2424	84H	84H	O2 storage index in HC trap catalyst
EGR SYSTEM	31H	EGR function	P0400	80H	96H	Low flow faults: EGR temp change rate (short term)
			P0400	81H	96H	Low flow faults: EGR temp change rate (long term)
			P0400	82H	96H	Low flow faults: Difference between max EGR temp and EGR temp under idling condition
			P0400	83H	96H	Low flow faults: Max EGR temp
			P1402	84H	96H	High Flow Faults: EGR temp increase rate
			P0402	85H	FCH	EGR differential pressure high flow
			P0401	86H	37H	EGR differential pressure low flow
			P2457	87H	96H	EGR temperature

ECM

< ECU DIAGNOSIS INFORMATION >

[VQ35DE]

Item	OBD-MID	Self-diagnostic test item	DTC	Test value and Test limit (GST display)		Description
				TID	Unit and Scaling ID	
VVT SYSTEM	35H	VVT Monitor (Bank1)	P0011	80H	9DH	VTC intake function diagnosis (VTC alignment check diagnosis)
			P0014	81H	9DH	VTC exhaust function diagnosis (VTC alignment check diagnosis)
			P0011	82H	9DH	VTC intake function diagnosis (VTC drive failure diagnosis)
			P0014	83H	9DH	VTC exhaust function diagnosis (VTC drive failure diagnosis)
			P100A	84H	10H	VEL slow response diagnosis
			P1090	85H	10H	VEL servo system diagnosis
			P0011	86H	9DH	VTC intake intermediate lock function diagnosis (VTC intermediate position alignment check diagnosis)
			Advanced: P052A Retarded: P052B	87H	9DH	VTC intake intermediate lock system diagnosis (VTC intermediate lock position check diagnosis)
	36H	VVT Monitor (Bank2)	P0021	80H	9DH	VTC intake function diagnosis (VTC alignment check diagnosis)
			P0024	81H	9DH	VTC exhaust function diagnosis (VTC alignment check diagnosis)
			P0021	82H	9DH	VTC intake function diagnosis (VTC drive failure diagnosis)
			P0024	83H	9DH	VTC exhaust function diagnosis (VTC drive failure diagnosis)
			P100B	84H	10H	VEL slow response diagnosis
			P1093	85H	10H	VEL servo system diagnosis
P0021			86H	9DH	VTC intake intermediate lock function diagnosis (VTC intermediate position alignment check diagnosis)	
		Advanced: P052C Retarded: P052D	87H	9DH	VTC intake intermediate lock system diagnosis (VTC intermediate lock position check diagnosis)	
EVAP SYSTEM	39H	EVAP control system leak (Cap Off)	P0455	80H	0CH	Difference in pressure sensor output voltage before and after pull down
	3BH	EVAP control system leak (Small leak)	P0442	80H	05H	Leak area index (for more than 0.04 inch)
	3CH	EVAP control system leak (Very small leak)	P0456	80H	05H	Leak area index (for more than 0.02 inch)
			P0456	81H	FDH	Maximum internal pressure of EVAP system during monitoring
			P0456	82H	FDH	Internal pressure of EVAP system at the end of monitoring
	3DH	Purge flow system	P0441	83H	0CH	Difference in pressure sensor output voltage before and after vent control valve close

A
EC
C
D
E
F
G
H
I
J
K
L
M
N
O
P

ECM

< ECU DIAGNOSIS INFORMATION >

[VQ35DE]

Item	OBD-MID	Self-diagnostic test item	DTC	Test value and Test limit (GST display)		Description	
				TID	Unit and Scaling ID		
O2 SENSOR HEATER	41H	A/F sensor 1 heater (Bank 1)	Low Input: P0031 High Input: P0032	81H	0BH	Converted value of heater electric current to voltage	
			P0030	83H	0BH	A/F sensor heater circuit malfunction	
	42H	Heated oxygen sensor 2 heater (Bank 1)	Low Input: P0037 High Input: P0038	80H	0CH	Converted value of heater electric current to voltage	
			P0141	81H	14H	Rear O2 sensor internal impedance	
	43H	Heated oxygen sensor 3 heater (Bank 1)	P0043	80H	0CH	Converted value of heater electric current to voltage	
	45H	A/F sensor 1 heater (Bank 2)	Low Input: P0051 High Input: P0052	81H	0BH	Converted value of heater electric current to voltage	
			P0036	83H	0BH	A/F sensor heater circuit malfunction	
	46H	Heated oxygen sensor 2 heater (Bank 2)	Low Input: P0057 High Input: P0058	80H	0CH	Converted value of heater electric current to voltage	
			P0161	81H	14CH	Rear O2 sensor internal impedance	
	47H	Heated oxygen sensor 3 heater (Bank 2)	P0063	80H	0CH	Converted value of heater electric current to voltage	
	SECONDARY AIR	71H	Secondary air system	P0411	80H	01H	Secondary air injection system incorrect flow detected
				Bank1: P0491 Bank2: P0492	81H	01H	Secondary air injection system insufficient flow
P2445				82H	01H	Secondary air injection system pump stuck off	
P2448				83H	01H	Secondary air injection system high airflow	
Bank1: P2440 Bank2: P2442				84H	01H	Secondary air injection system switching valve stuck open	
P2440				85H	01H	Secondary air injection system switching valve stuck open	
P2444				86H	01H	Secondary air injection system pump stuck on	

ECM

< ECU DIAGNOSIS INFORMATION >

[VQ35DE]

Item	OBD-MID	Self-diagnostic test item	DTC	Test value and Test limit (GST display)		Description
				TID	Unit and Scaling ID	
FUEL SYSTEM	81H	Fuel injection system function (Bank 1)	P0171 or P0172	80H	2FH	Long term fuel trim
			P0171 or P0172	81H	24H	The number of lambda control clamped
			P117A / P219A	82H	03H	Cylinder A/F imbalance monitoring
			P219C	83H	83H	Air-fuel ratio cylinder imbalance diagnosis CPS (Crankshaft Position Sensor) method #1 cylinder parameter
			P219D	84H	83H	Air-fuel ratio cylinder imbalance diagnosis CPS (Crankshaft Position Sensor) method #2 cylinder parameter
			P219E	85H	83H	Air-fuel ratio cylinder imbalance diagnosis CPS (Crankshaft Position Sensor) method #3 cylinder parameter
			P219F	86H	83H	Air-fuel ratio cylinder imbalance diagnosis CPS (Crankshaft Position Sensor) method #4 cylinder parameter
			P21A0	87H	83H	Air-fuel ratio cylinder imbalance diagnosis CPS (Crankshaft Position Sensor) method #5 cylinder parameter
			P21A2	89H	83H	Air-fuel ratio cylinder imbalance diagnosis CPS (Crankshaft Position Sensor) method #7 cylinder parameter
	82H	Fuel injection system function (Bank 2)	P0174 or P0175	80H	2FH	Long term fuel trim
			P0174 or P0175	81H	24H	The number of lambda control clamped
			P117B / P219B	82H	03H	Cylinder A/F imbalance monitoring
			P219D	84H	83H	Air-fuel ratio cylinder imbalance diagnosis CPS (Crankshaft Position Sensor) method #2 cylinder parameter
			P219F	86H	83H	Air-fuel ratio cylinder imbalance diagnosis CPS (Crankshaft Position Sensor) method #4 cylinder parameter
			P21A1	88H	83H	Air-fuel ratio cylinder imbalance diagnosis CPS (Crankshaft Position Sensor) method #6 cylinder parameter
			P21A3	8AH	83H	Air-fuel ratio cylinder imbalance diagnosis CPS (Crankshaft Position Sensor) method #8 cylinder parameter

A

EC

C

D

E

F

G

H

I

J

K

L

M

N

O

P

ECM

< ECU DIAGNOSIS INFORMATION >

[VQ35DE]

Item	OBD-MID	Self-diagnostic test item	DTC	Test value and Test limit (GST display)		Description
				TID	Unit and Scaling ID	
MISFIRE	A1H	Multiple cylinder misfires	P0301	80H	24H	Misfiring counter at 1000 revolution of the first cylinder
			P0302	81H	24H	Misfiring counter at 1000 revolution of the second cylinder
			P0303	82H	24H	Misfiring counter at 1000 revolution of the third cylinder
			P0304	83H	24H	Misfiring counter at 1000 revolution of the fourth cylinder
			P0305	84H	24H	Misfiring counter at 1000 revolution of the fifth cylinder
			P0306	85H	24H	Misfiring counter at 1000 revolution of the sixth cylinder
			P0307	86H	24H	Misfiring counter at 1000 revolution of the seventh cylinder
			P0308	87H	24H	Misfiring counter at 1000 revolution of the eighth cylinder
			P0300	88H	24H	Misfiring counter at 1000 revolution of the multiple cylinders
			P0301	89H	24H	Misfiring counter at 200 revolution of the first cylinder
			P0302	8AH	24H	Misfiring counter at 200 revolution of the second cylinder
			P0303	8BH	24H	Misfiring counter at 200 revolution of the third cylinder
			P0304	8CH	24H	Misfiring counter at 200 revolution of the fourth cylinder
			P0305	8DH	24H	Misfiring counter at 200 revolution of the fifth cylinder
			P0306	8EH	24H	Misfiring counter at 200 revolution of the sixth cylinder
			P0307	8FH	24H	Misfiring counter at 200 revolution of the seventh cylinder
			P0308	90H	24H	Misfiring counter at 200 revolution of the eighth cylinder
			P0300	91H	24H	Misfiring counter at 1000 revolution of the single cylinder
			P0300	92H	24H	Misfiring counter at 200 revolution of the single cylinder
			P0300	93H	24H	Misfiring counter at 200 revolution of the multiple cylinders

ECM

< ECU DIAGNOSIS INFORMATION >

[VQ35DE]

Item	OBD-MID	Self-diagnostic test item	DTC	Test value and Test limit (GST display)		Description
				TID	Unit and Scaling ID	
MISFIRE	A2H	No. 1 cylinder misfire	P0301	0BH	24H	EWMA (Exponential Weighted Moving Average) misfire counts for last 10 driving cycles
			P0301	0CH	24H	Misfire counts for last/current driving cycles
	A3H	No. 2 cylinder misfire	P0302	0BH	24H	EWMA (Exponential Weighted Moving Average) misfire counts for last 10 driving cycles
			P0302	0CH	24H	Misfire counts for last/current driving cycles
	A4H	No. 3 cylinder misfire	P0303	0BH	24H	EWMA (Exponential Weighted Moving Average) misfire counts for last 10 driving cycles
			P0303	0CH	24H	Misfire counts for last/current driving cycles
	A5H	No. 4 cylinder misfire	P0304	0BH	24H	EWMA (Exponential Weighted Moving Average) misfire counts for last 10 driving cycles
			P0304	0CH	24H	Misfire counts for last/current driving cycles
	A6H	No. 5 cylinder misfire	P0305	0BH	24H	EWMA (Exponential Weighted Moving Average) misfire counts for last 10 driving cycles
			P0305	0CH	24H	Misfire counts for last/current driving cycles
	A7H	No. 6 cylinder misfire	P0306	0BH	24H	EWMA (Exponential Weighted Moving Average) misfire counts for last 10 driving cycles
			P0306	0CH	24H	Misfire counts for last/current driving cycles
	A8H	No. 7 cylinder misfire	P0307	0BH	24H	EWMA (Exponential Weighted Moving Average) misfire counts for last 10 driving cycles
			P0307	0CH	24H	Misfire counts for last/current driving cycles
	A9H	No. 8 cylinder misfire	P0308	0BH	24H	EWMA (Exponential Weighted Moving Average) misfire counts for last 10 driving cycles
			P0308	0CH	24H	Misfire counts for last/current driving cycles

A

EC

C

D

E

F

G

H

I

J

K

L

M

N

O

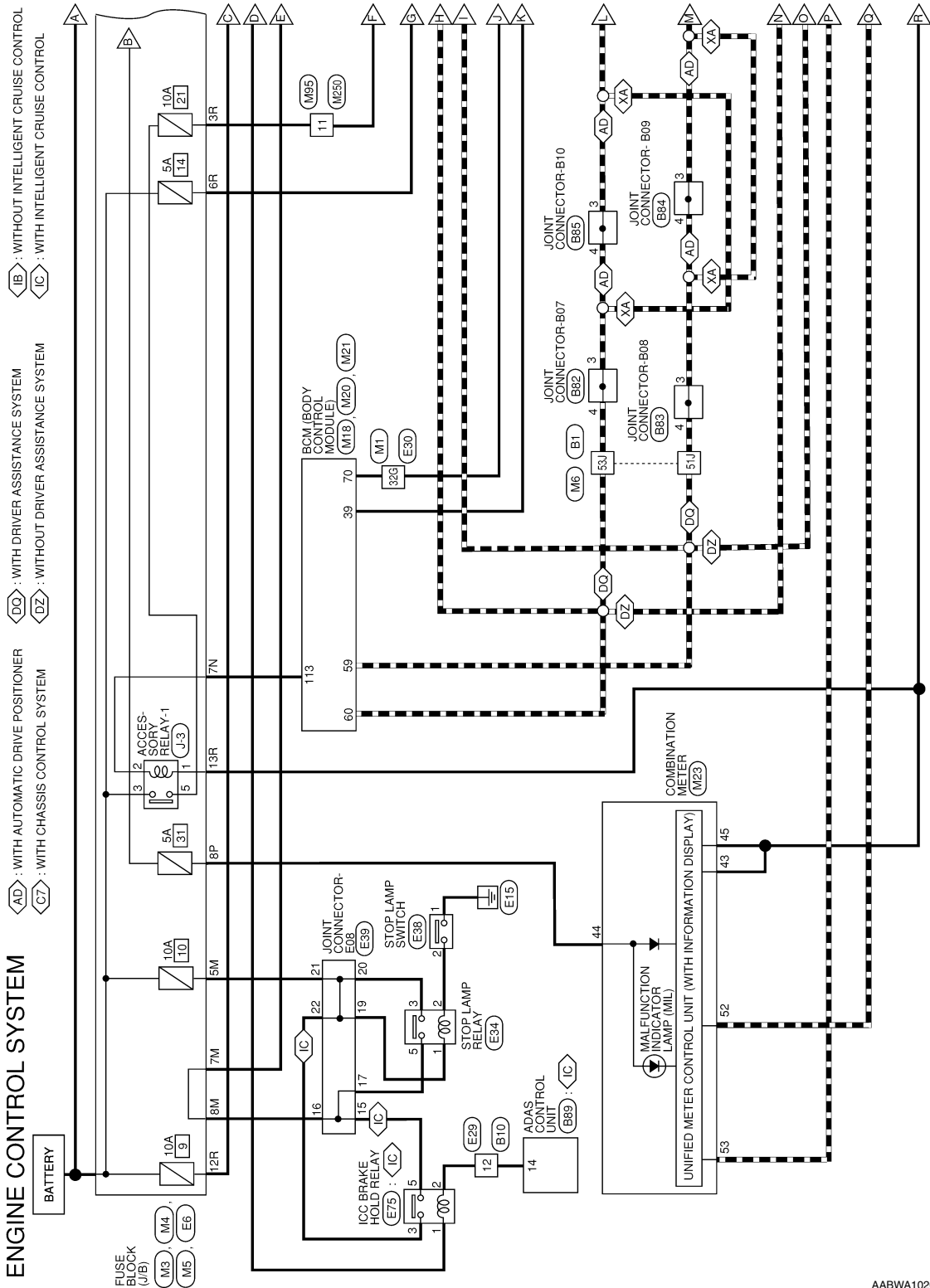
P

WIRING DIAGRAM

ENGINE CONTROL SYSTEM

Wiring Diagram

INFOID:000000011939696



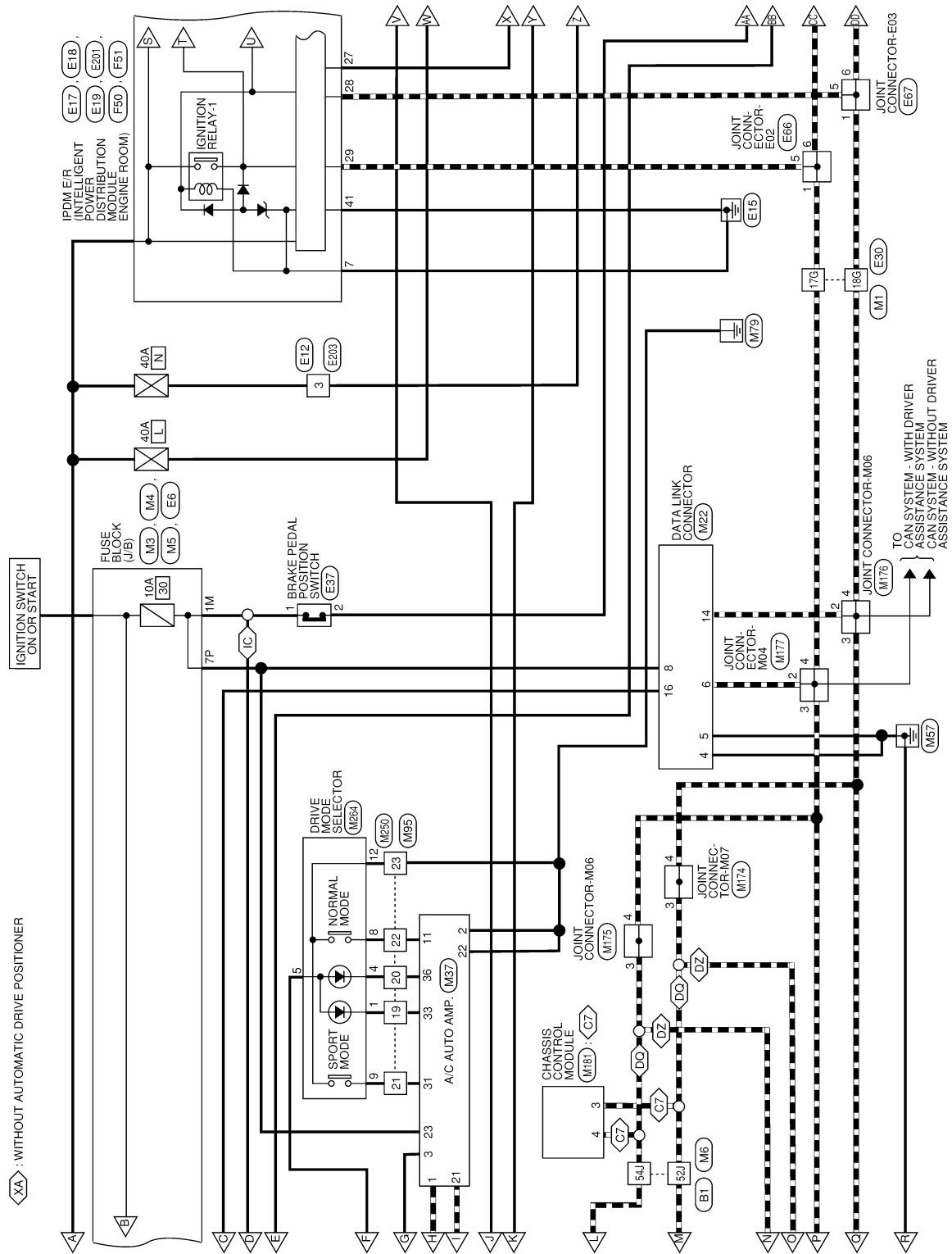
* : THIS CONNECTOR IS NOT SHOWN IN "HARNES LAYOUT" OF PG SECTION.

AABWA1020GB

ENGINE CONTROL SYSTEM

< WIRING DIAGRAM >

[VQ35DE]



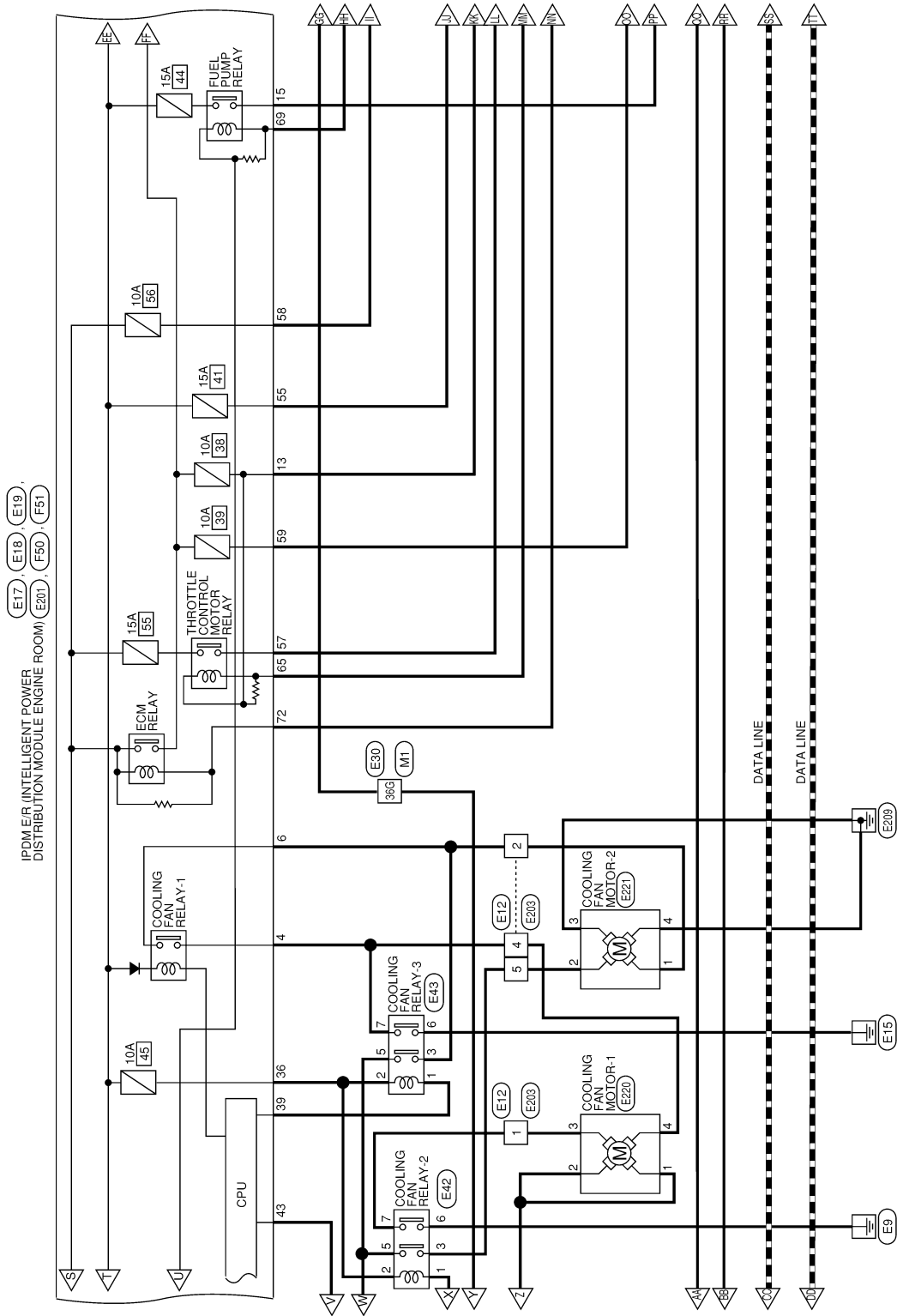
AABWA1021GB

A
EC
C
D
E
F
G
H
I
J
K
L
M
N
O
P

ENGINE CONTROL SYSTEM

< WIRING DIAGRAM >

[VQ35DE]

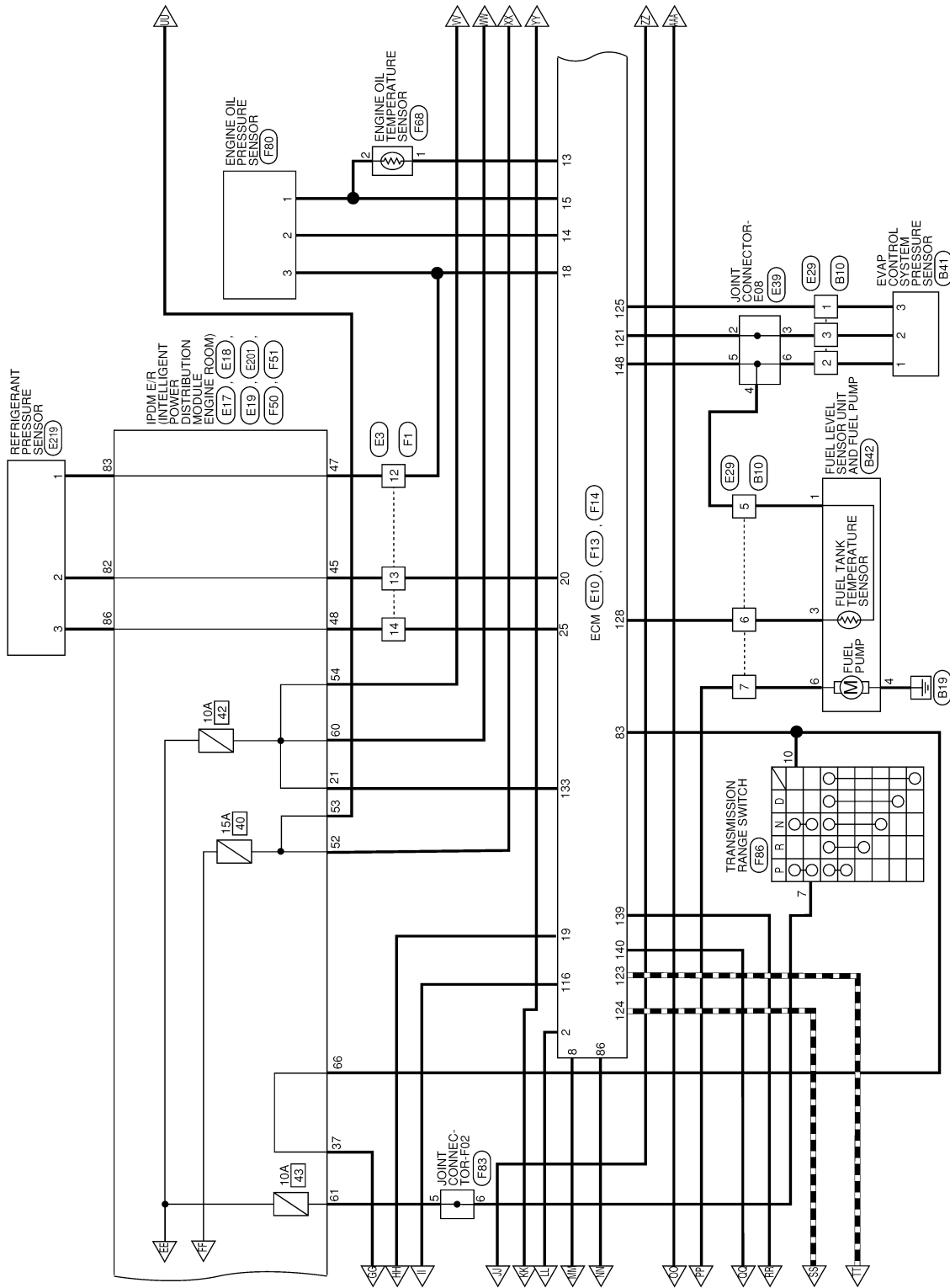


AABWA1022GB

ENGINE CONTROL SYSTEM

< WIRING DIAGRAM >

[VQ35DE]



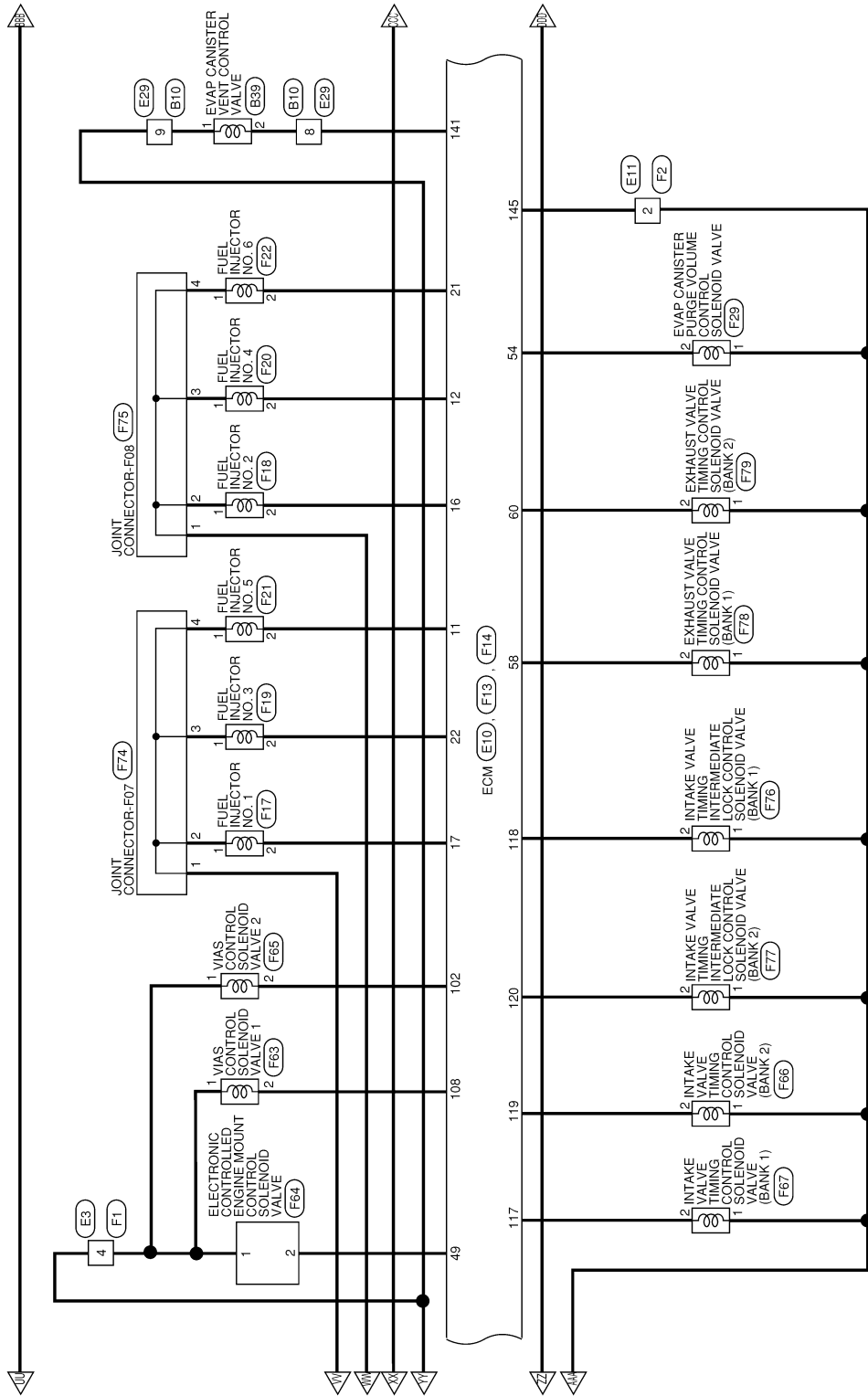
AABWA1023GB

A
EC
 C
 D
 E
 F
 G
 H
 I
 J
 K
 L
 M
 N
 O
 P

ENGINE CONTROL SYSTEM

< WIRING DIAGRAM >

[VQ35DE]

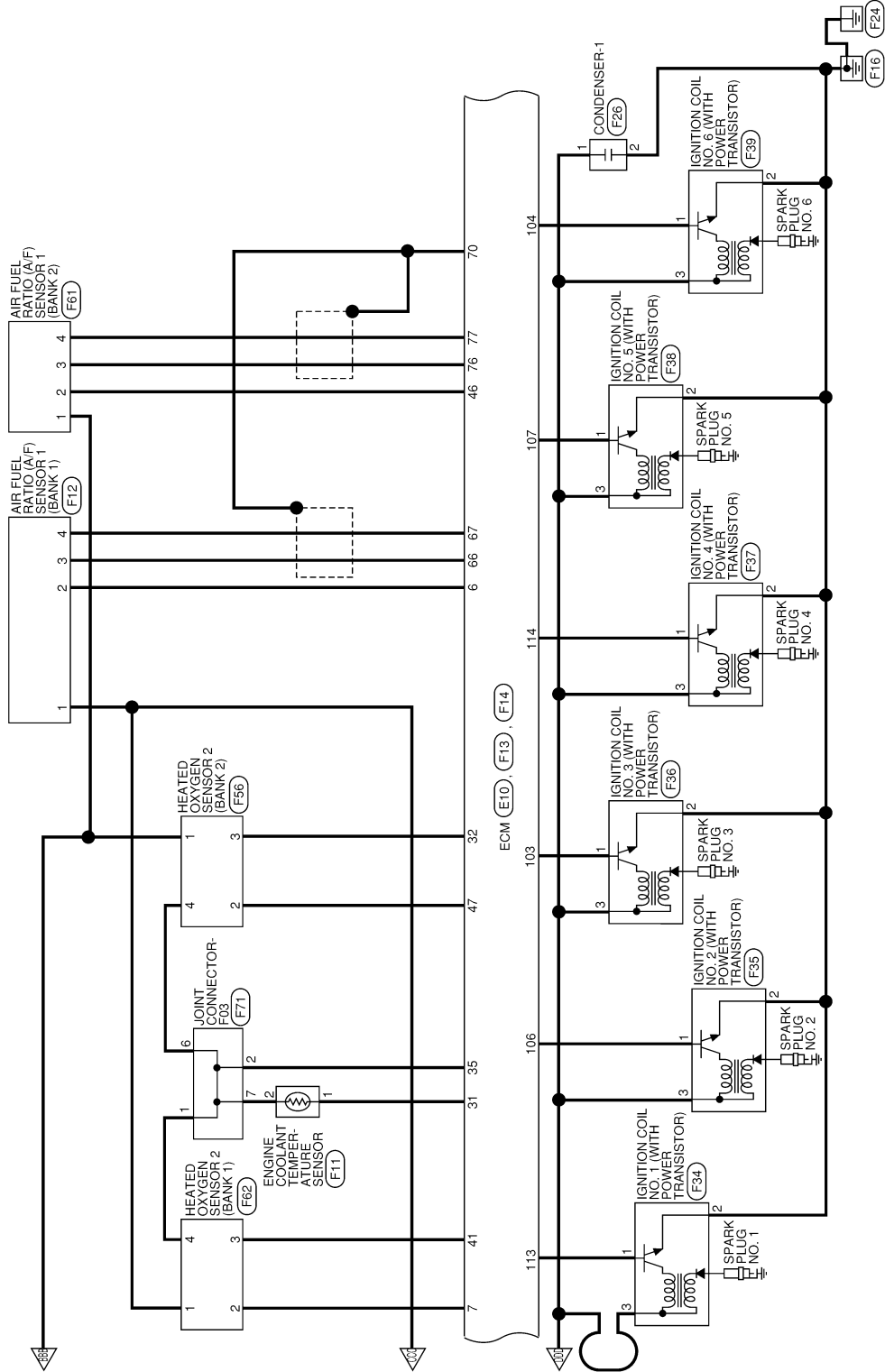


AABWA1024GB

ENGINE CONTROL SYSTEM

< WIRING DIAGRAM >

[VQ35DE]



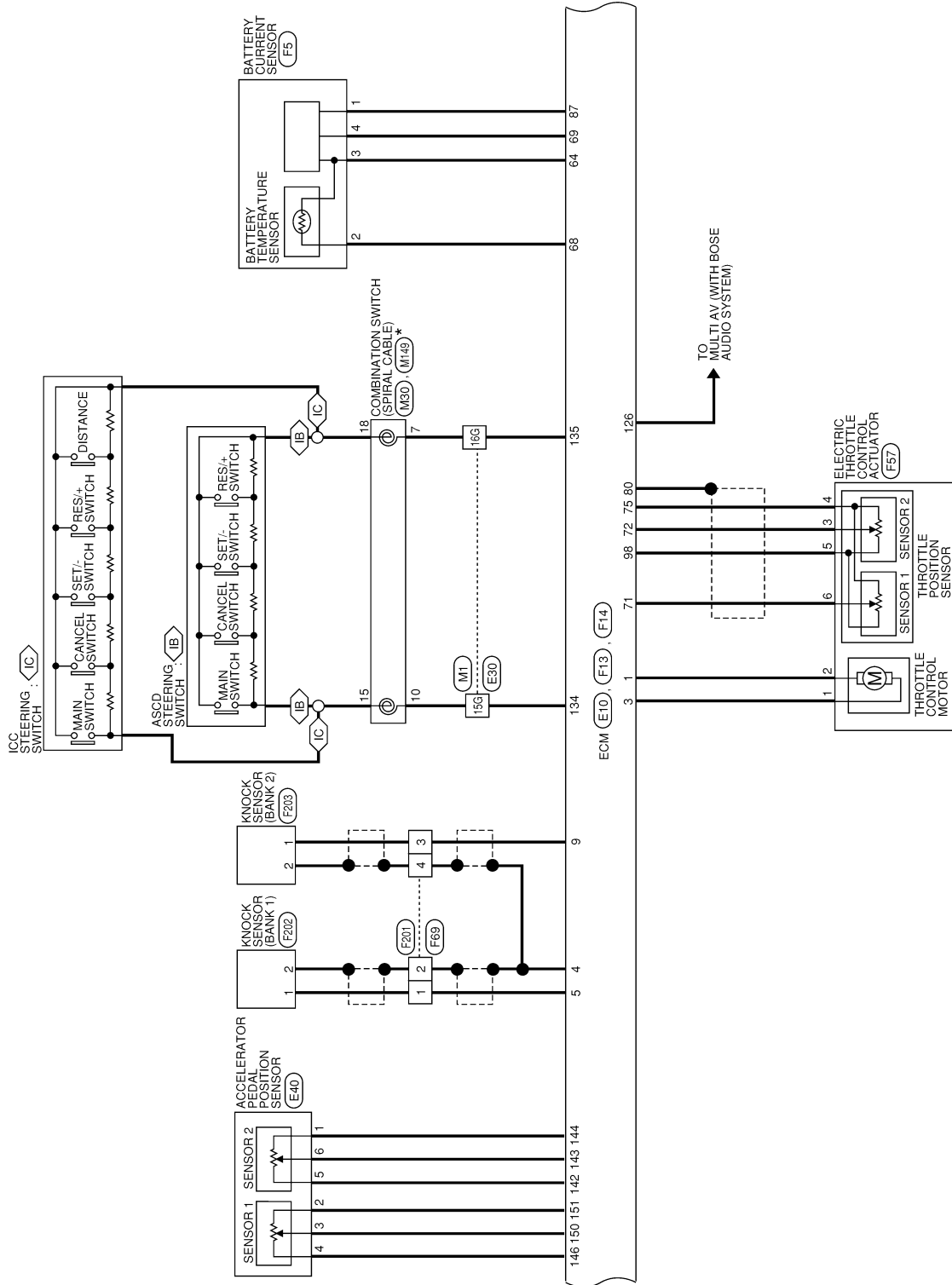
AABWA1025GB

A
EC
C
D
E
F
G
H
I
J
K
L
M
N
O
P

ENGINE CONTROL SYSTEM

< WIRING DIAGRAM >

[VQ35DE]

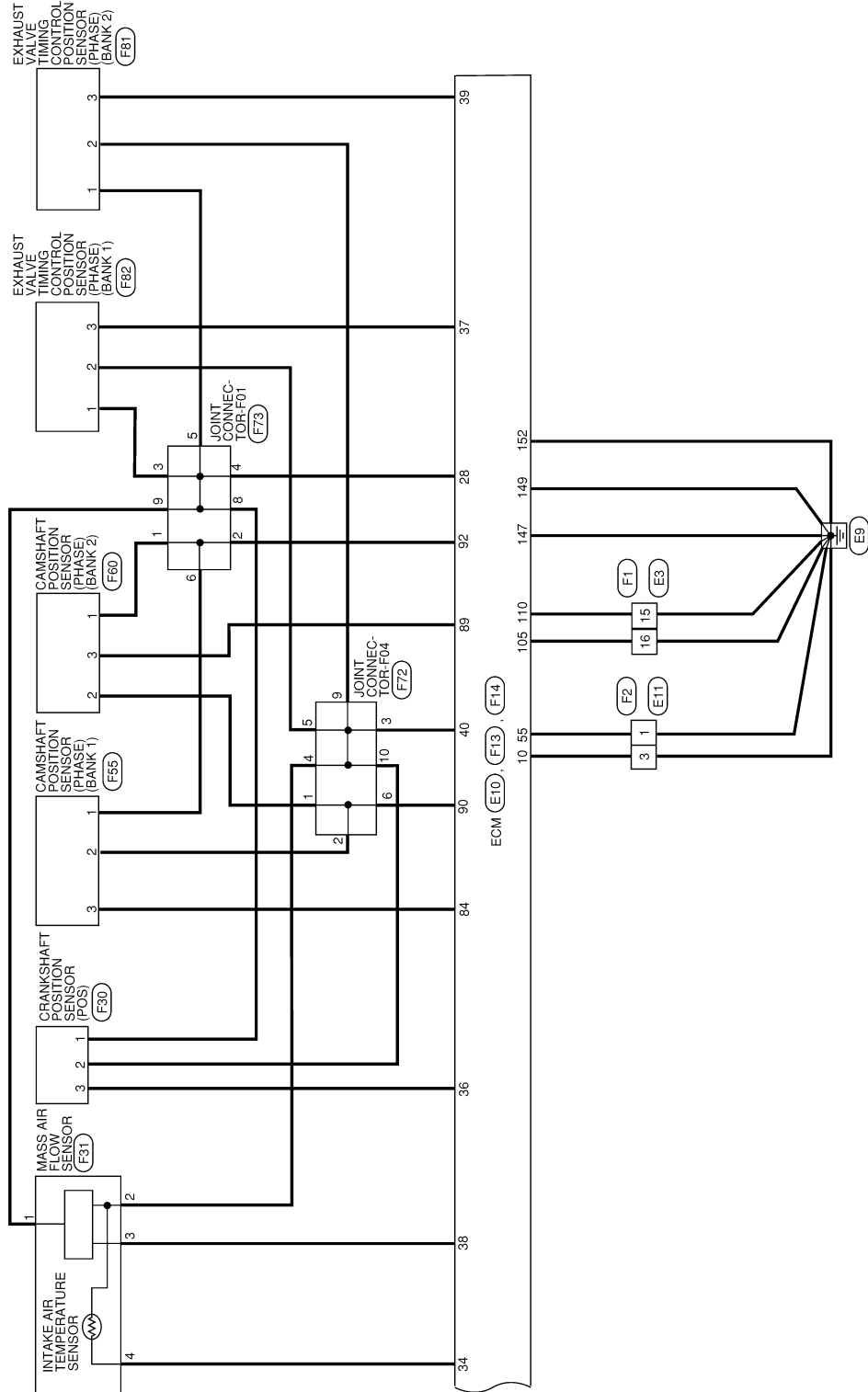


AABWA1026GB

ENGINE CONTROL SYSTEM

< WIRING DIAGRAM >

[VQ35DE]

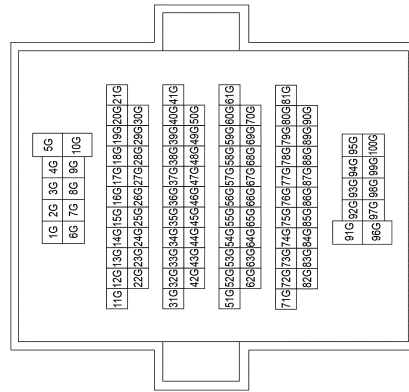


AABWA1027GB

A
EC
C
D
E
F
G
H
I
J
K
L
M
N
O
P

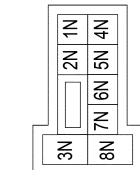
ENGINE CONTROL SYSTEM CONNECTORS

Connector No.	M1
Connector Name	WIRES TO WIRE
Connector Type	TH80FW-CS16-TM4
Connector Color	WHITE



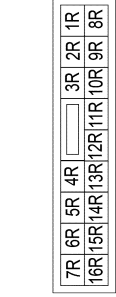
Terminal No.	Color of Wire	Signal Name
15G	BG	-
16G	R	-
17G	L	-
18G	P	-
32G	G	-
36G	L	-

Connector No.	M3
Connector Name	FUSE BLOCK (U/B)
Connector Type	CS06FW-M2
Connector Color	WHITE



Terminal No.	Color of Wire	Signal Name
7N	BR	-

Connector No.	M4
Connector Name	FUSE BLOCK (U/B)
Connector Type	NS16FBR-CS
Connector Color	BROWN



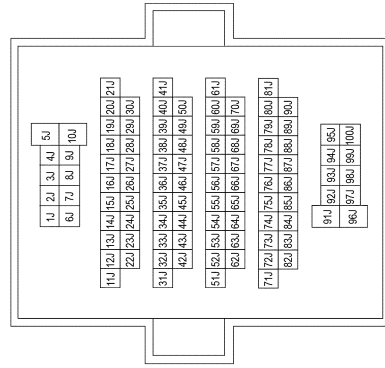
Terminal No.	Color of Wire	Signal Name
3R	G	-
6R	P	-
12R	W	-
13R	B	-

Connector No.	M5
Connector Name	FUSE BLOCK (U/B)
Connector Type	NS16FW-CS
Connector Color	WHITE



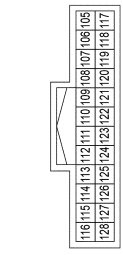
Terminal No.	Color of Wire	Signal Name
7P	BG	-
8P	BR	-

Connector No.	M6
Connector Name	WIRES TO WIRE
Connector Type	TH80FDGY-CS16-TM4
Connector Color	GRAY



Terminal No.	Color of Wire	Signal Name
51J	P	-
52J	P	-
53J	L	-
54J	L	-

Connector No.	M18
Connector Name	BCM (BODY CONTROL MODULE)
Connector Type	TH24FB-NH
Connector Color	BLACK




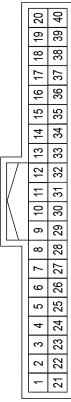
Terminal No.	Color of Wire	Signal Name
113	BR	ACC RELAY OUT

ENGINE CONTROL SYSTEM

< WIRING DIAGRAM >


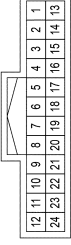
[VQ35DE]

Connector No.	M37
Connector Name	A/C AUTO AMP.
Connector Type	TH40FW-NH
Connector Color	WHITE

Terminal No.	Color of Wire	Signal Name
1	L	CAN-H
2	B	GND
3	G	BATT
11	G	STD MODE SW
21	P	CAN-L
22	B	P-GND
23	BG	IGN
31	R	SPORT MODE SW
33	W	SPORT MODE INDI
36	BG	STD MODE INDI


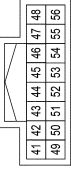
Connector No.	M95
Connector Name	WIRE TO WIRE
Connector Type	TH24FW-NH
Connector Color	WHITE

Terminal No.	Color of Wire	Signal Name
11	P	-
19	W	-
20	BG	-
21	R	-
22	G	-
23	B	-


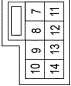
8	BG	-
14	P	-
16	W	-

Connector No.	M23
Connector Name	COMBINATION METER
Connector Type	TH16FW-NH
Connector Color	WHITE


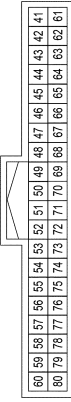
Terminal No.	Color of Wire	Signal Name
43	B	GND1
44	BR	POWER (IGN)
45	B	GND2
52	P	CAN-L
53	L	CAN-H

Connector No.	M30
Connector Name	COMBINATION SWITCH (SPIRAL CABLE)
Connector Type	TK08FGY-1V
Connector Color	GRAY

Terminal No.	Color of Wire	Signal Name
7	R	-
10	BG	-

Connector No.	M20
Connector Name	BCM (BODY CONTROL MODULE)
Connector Type	TH40FB-NH
Connector Color	BLACK



Terminal No.	Color of Wire	Signal Name
59	P	CAN-L
60	L	CAN-H
70	G	IGN USM OUT 1

Connector No.	M21
Connector Name	BCM (BODY CONTROL MODULE)
Connector Type	TH40FG-NH
Connector Color	GREEN




Terminal No.	Color of Wire	Signal Name
39	L	SHIFT N/P

Connector No.	M22
Connector Name	DATA LINK CONNECTOR
Connector Type	BD16FW
Connector Color	WHITE

Terminal No.	Color of Wire	Signal Name
4	B	-
5	B	-
6	L	-

AABIA1604GB

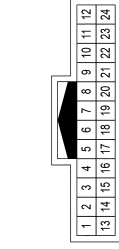
A
EC
C
D
E
F
G
H
I
J
K
L
M
N
O
P

ENGINE CONTROL SYSTEM

< WIRING DIAGRAM >

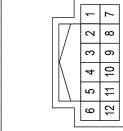
[VQ35DE]

4	L	CAN-H
Connector No.	M250	
Connector Name	WIRE TO WIRE	
Connector Type	TH24MW-NH	
Connector Color	WHITE	



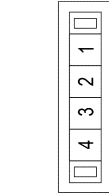
Terminal No.	Color of Wire	Signal Name
11	P	-
19	W	-
20	BG	-
21	P	-
22	G	-
23	B	-

Connector No.	M264
Connector Name	DRIVE MODE SELECTOR
Connector Type	TH12FGY-NH
Connector Color	GRAY



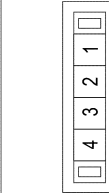
Terminal No.	Color of Wire	Signal Name
1	W	-
4	BG	-
5	P	-
8	G	-
9	P	-
12	B	-

Connector No.	M176
Connector Name	JOINT CONNECTOR-M05
Connector Type	TK04FW-J
Connector Color	WHITE



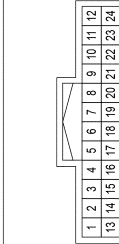
Terminal No.	Color of Wire	Signal Name
2	P	-
3	P	-
4	P	-

Connector No.	M177
Connector Name	JOINT CONNECTOR-M04
Connector Type	TK04FW-J
Connector Color	WHITE



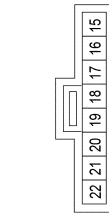
Terminal No.	Color of Wire	Signal Name
2	L	-
3	L	-
4	L	-

Connector No.	M181
Connector Name	CHASSIS CONTROL MODULE
Connector Type	TH24FW-NH
Connector Color	WHITE



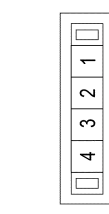
Terminal No.	Color of Wire	Signal Name
3	P	CAN-L

Connector No.	M149
Connector Name	COMBINATION SWITCH (SPIRAL CABLE)
Connector Type	TK08FGY-X
Connector Color	GRAY



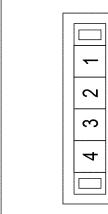
Terminal No.	Color of Wire	Signal Name
15	W	-
18	BR	-

Connector No.	M174
Connector Name	JOINT CONNECTOR-M07
Connector Type	TK04FW-J
Connector Color	WHITE



Terminal No.	Color of Wire	Signal Name
3	P	-
4	P	-

Connector No.	M175
Connector Name	JOINT CONNECTOR-M06
Connector Type	TK04FW-J
Connector Color	WHITE



Terminal No.	Color of Wire	Signal Name
3	L	-
4	L	-

AABIA1605GB

ENGINE CONTROL SYSTEM

< WIRING DIAGRAM >

[VQ35DE]

A
EC
C
D
E
F
G
H
I
J
K
L
M
N
O
P

Connector No.	E11
Connector Name	WIRE TO WIRE
Connector Type	NS08MBR-CS
Connector Color	BROWN



1	2	3
4	6	7
5	8	

Connector No.	E10
Connector Name	ECM
Connector Type	RH24FB-RZ8-L-LH
Connector Color	BLACK



121	123	124	125	126	127	128	129	130	131	132	133	134	135	136	137	138	139	140	141	142	143	144	145	146	147	148	149	150	151	152
-----	-----	-----	-----	-----	-----	-----	-----	-----	-----	-----	-----	-----	-----	-----	-----	-----	-----	-----	-----	-----	-----	-----	-----	-----	-----	-----	-----	-----	-----	-----

Terminal No.	Color of Wire	Signal Name
1	GR	-
2	LG	-
3	GR	-

Terminal No.	Color of Wire	Signal Name
121	G	EVAP CONTROL SYSTEM PRESSURE SENSOR
122	-	-
123	P	CAN-L
124	L	CAN-H
125	V	SENSOR POWER SUPPLY
126	R	ENGINE SPEED OUTPUT SIGNAL
127	-	-
128	V	FUEL TANK TEMPERATURE SENSOR
129	-	-
130	-	-
131	-	-
132	-	-
133	L	IGNITION SWITCH
134	G	ASCD/ICC STEERING SWITCH
135	R	ASCD/ICC STEERING SWITCH GROUND
136	-	-
137	-	-
138	-	-
139	GR	STOP LAMP SWITCH
140	BR	BRAKE PEDAL POSITION SWITCH
141	Y	EVAP CANISTER VENT CONTROL VALVE
142	SB	SENSOR POWER SUPPLY
143	P	ACCELERATOR PEDAL POSITION SENSOR 2
144	G	SENSOR GROUND
145	LG	POWER SUPPLY FOR ECM
146	BR	SENSOR POWER SUPPLY
147	GR	ECM GROUND
148	R	SENSOR GROUND
149	GR	ECM GROUND
150	W	ACCELERATOR PEDAL POSITION SENSOR 1
151	R	SENSOR GROUND
152	GR	ECM GROUND

Connector No.	E3
Connector Name	WIRE TO WIRE
Connector Type	TH16MW-NH
Connector Color	WHITE



1	2	3	4	5	6	7	8
9	10	11	12	13	14	15	16

Terminal No.	Color of Wire	Signal Name
4	L	-
12	BG	-
13	P	-
14	SB	-
15	GR	-
16	GR	-

Connector No.	E6
Connector Name	FUSE BLOCK (J/B)
Connector Type	NS10FW-CS
Connector Color	WHITE



4M	3M	2M	1M
10M	9M	8M	7M
			6M
			5M

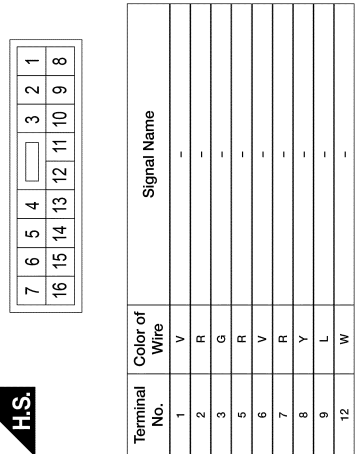
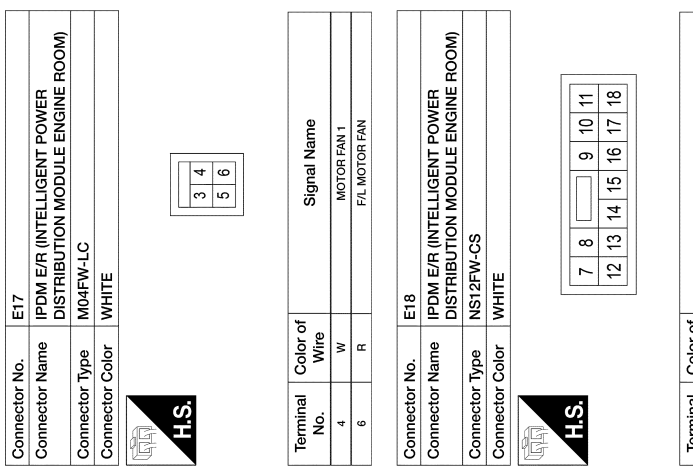
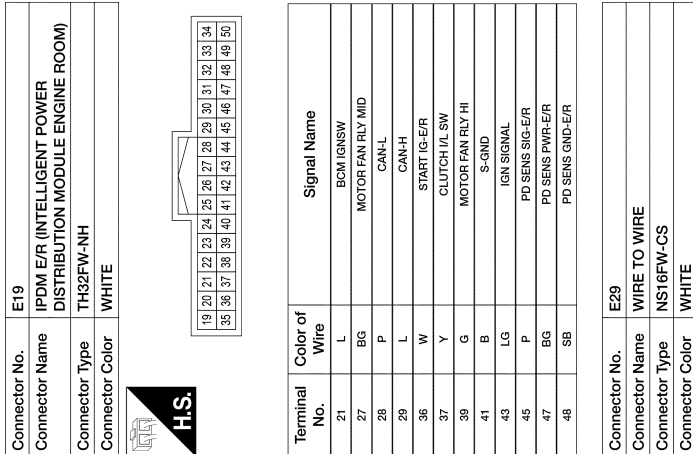
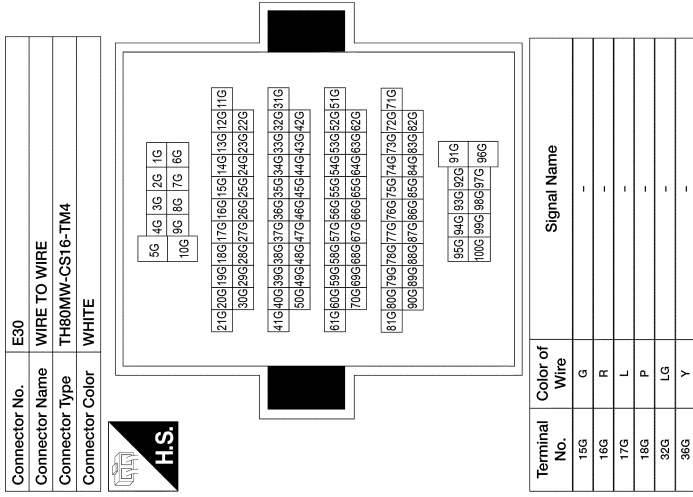
Terminal No.	Color of Wire	Signal Name
1M	BG	-
5M	P	-
7M	GR	-
8M	W	-

AABIA1606GB

ENGINE CONTROL SYSTEM

< WIRING DIAGRAM >

[VQ35DE]



AABIA1607GB

ENGINE CONTROL SYSTEM

< WIRING DIAGRAM >

[VQ35DE]

Connector No.	E42
Connector Name	COOLING FAN RELAY-2
Connector Type	M06FBR-R-LC
Connector Color	BROWN



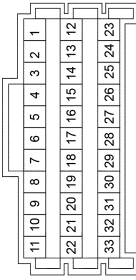
Terminal No.	Color of Wire	Signal Name
1	BG	-
2	W	-
3	G	-
5	W	-
6	GR	-
7	P	-

Connector No.	E43
Connector Name	COOLING FAN RELAY-3
Connector Type	M06FBR-R-LC
Connector Color	BROWN



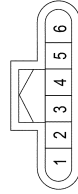
Terminal No.	Color of Wire	Signal Name
1	G	-
2	W	-
3	R	-
5	W	-
6	B	-
7	P	-

2	R	-
---	---	---



Terminal No.	Color of Wire	Signal Name
2	G	-
3	G	-
4	R	-
5	R	-
6	R	-
15	W	-
16	W	-
17	W	-
19	P	-
20	P	-
21	P	-
22	P	-

Connector No.	E40
Connector Name	ACCELERATOR PEDAL POSITION SENSOR
Connector Type	RH06FB
Connector Color	BLACK



Terminal No.	Color of Wire	Signal Name
1	G	-
2	R	-
3	W	-
4	BR	-
5	SB	-
6	P	-

Connector No.	E34
Connector Name	STOP LAMP RELAY
Connector Type	MS02FL-M2-LC
Connector Color	BLUE



Terminal No.	Color of Wire	Signal Name
1	P	-
2	R	-
3	P	-
5	W	-

Connector No.	E37
Connector Name	BRAKE PEDAL POSITION SWITCH
Connector Type	M02FBR-LC
Connector Color	BROWN



Terminal No.	Color of Wire	Signal Name
1	BG	-
2	BR	-

Connector No.	E38
Connector Name	STOP LAMP SWITCH
Connector Type	M04FW-LC
Connector Color	WHITE



Terminal No.	Color of Wire	Signal Name
1	B	-

AABIA1608GB

A
EC
C
D
E
F
G
H
I
J
K
L
M
N
O
P

ENGINE CONTROL SYSTEM

< WIRING DIAGRAM >

[VQ35DE]

Connector No.	E219
Connector Name	REFRIGERANT PRESSURE SENSOR
Connector Type	RK03FB
Connector Color	BLACK



Terminal No.	Color of Wire	Signal Name
1	G	-
2	W	-
3	R	-

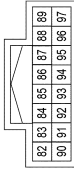
Connector No.	E220
Connector Name	COOLING FAN MOTOR-1
Connector Type	RS04GY-PR
Connector Color	GRAY



Terminal No.	Color of Wire	Signal Name
1	BR	-
2	BR	-
3	R	-
4	P	-

2	W	-
3	P	-
5	W	-

Connector No.	E201
Connector Name	IPDM E/R (INTELLIGENT POWER DISTRIBUTION MODULE ENGINE ROOM)
Connector Type	TH16FW-NH
Connector Color	WHITE



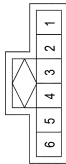
Terminal No.	Color of Wire	Signal Name
82	W	PD SENS SIG-FEM
83	G	PD SENS PWR-FEM
86	R	PD SENS GND-FEM

Connector No.	E203
Connector Name	WIRE TO WIRE
Connector Type	M06FW-LC
Connector Color	WHITE



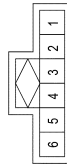
Terminal No.	Color of Wire	Signal Name
1	R	-
2	G	-
3	BR	-
4	P	-
5	W	-

Connector No.	E66
Connector Name	JOINT CONNECTOR-E02
Connector Type	A06FGY
Connector Color	GRAY



Terminal No.	Color of Wire	Signal Name
1	L	-
5	L	-
6	L	-

Connector No.	E67
Connector Name	JOINT CONNECTOR-E03
Connector Type	A06FGY
Connector Color	GRAY



Terminal No.	Color of Wire	Signal Name
1	P	-
5	P	-
6	P	-

Connector No.	E75
Connector Name	ICC BRAKE HOLD RELAY
Connector Type	MS02FL-M2-LC
Connector Color	BLUE



Terminal No.	Color of Wire	Signal Name
1	BG	-

AABIA1609GB

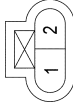
ENGINE CONTROL SYSTEM

< WIRING DIAGRAM >

[VQ35DE]

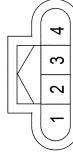
A
EC
C
D
E
F
G
H
I
J
K
L
M
N
O
P

Connector No.	F11
Connector Name	ENGINE COOLANT TEMPERATURE SENSOR
Connector Type	E02FGY-RS
Connector Color	GRAY



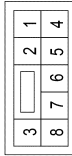
Terminal No.	Color of Wire	Signal Name
1	P	-
2	B	-

Connector No.	F12
Connector Name	AIR FUEL RATIO (A/F) SENSOR 1 (BANK 1)
Connector Type	RH04FDGY-P
Connector Color	GRAY



Terminal No.	Color of Wire	Signal Name
1	W	-
2	BR	-
3	W	-
4	B	-

Connector No.	F2
Connector Name	WIRE TO WIRE
Connector Type	NS08FBR-CS
Connector Color	BROWN



Terminal No.	Color of Wire	Signal Name
1	B	-
2	L	-
3	B	-

Connector No.	F5
Connector Name	BATTERY CURRENT SENSOR
Connector Type	SAZ04FGY
Connector Color	GRAY



Terminal No.	Color of Wire	Signal Name
1	P	-
2	R	-
3	G	-
4	W	-

Connector No.	E221
Connector Name	COOLING FAN MOTOR-2
Connector Type	RS04GY-PR
Connector Color	GRAY



Terminal No.	Color of Wire	Signal Name
1	G	-
2	W	-
3	B	-
4	B	-

Connector No.	F1
Connector Name	WIRE TO WIRE
Connector Type	TH16FW-NH
Connector Color	WHITE



Terminal No.	Color of Wire	Signal Name
4	L	-
12	R	-
13	SB	-
14	V	-
15	B	-
16	B	-

AABIA1610GB

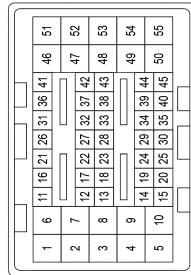
ENGINE CONTROL SYSTEM

< WIRING DIAGRAM >

[VQ35DE]

37	GR	EXHAUST VALVE TIMING CONTROL POSITION SENSOR (BANK 1)
38	GR	MASS AIR FLOW SENSOR
39	GR	EXHAUST VALVE TIMING CONTROL POSITION SENSOR (BANK 2)
40	BR	SENSOR GROUND
41	W	HEATED OXYGEN SENSOR 2 (BANK 1)
42	-	-
43	-	-
44	-	-
45	-	-
46	Y	AF SENSOR 1 HEATER (BANK 2)
47	SB	HEATED OXYGEN SENSOR 2 HEATER (BANK 2)
48	-	-
49	V	ELECTRONIC CONTROLLED ENGINE MOUNT CONTROL SOLENOID VALVE
50	-	-
51	-	-
52	-	-
53	-	-
54	BR	EVAP CANISTER PURGE VOLUME CONTROL SOLENOID VALVE
55	B	ECM GND

Connector No.	F13
Connector Name	ECM
Connector Type	MAB35FB-MEB20-LH
Connector Color	BLACK



Terminal No.	Color of Wire	Signal Name
1	G	THROTTLE CONTROL MOTOR (CLOSE)
2	R	THROTTLE CONTROL MOTOR POWER SUPPLY
3	W	THROTTLE CONTROL MOTOR (OPEN)
4	GR	SENSOR GROUND
5	B	KNOCK SENSOR (BANK 1)
6	BR	AF SENSOR 1 HEATER (BANK 1)
7	SB	HEATED OXYGEN SENSOR 2 HEATER (BANK 1)
8	BR	THROTTLE CONTROL MOTOR RELAY
9	W	KNOCK SENSOR (BANK 2)
10	B	ECM GROUND
11	P	FUEL INJECTOR NO. 5
12	W	FUEL INJECTOR NO. 4
13	Y	ENGINE OIL TEMPERATURE SENSOR
14	LG	ENGINE OIL PRESSURE SENSOR
15	L	SENSOR GROUND
16	R	FUEL INJECTOR NO. 2
17	G	FUEL INJECTOR NO. 1
18	R	SENSOR POWER SUPPLY
19	V	FUEL PUMP RELAY
20	SB	REFRIGERANT PRESSURE SENSOR
21	G	FUEL INJECTOR NO. 6
22	P	FUEL INJECTOR NO. 3
23	-	-
24	-	-
25	V	SENSOR GROUND
26	-	-
27	-	-
28	LG	SENSOR POWER SUPPLY
29	-	-
30	-	-
31	P	ENGINE COOLANT TEMPERATURE SENSOR
32	W	HEATED OXYGEN SENSOR 2 (BANK 2)
33	-	-
34	Y	INTAKE AIR TEMPERATURE SENSOR
35	B	SENSOR GROUND
36	L	CRANKSHAFT POSITION SENSOR (POS)

AABIA1611GB

ENGINE CONTROL SYSTEM

< WIRING DIAGRAM >

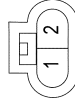
[VQ35DE]

Connector No.	F18
Connector Name	FUEL INJECTOR NO. 2
Connector Type	HS02FGY
Connector Color	GRAY



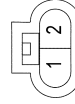
Terminal No.	Color of Wire	Signal Name
1	V	-
2	R	-

Connector No.	F19
Connector Name	FUEL INJECTOR NO. 3
Connector Type	HS02FGY
Connector Color	GRAY



Terminal No.	Color of Wire	Signal Name
1	LG	-
2	P	-

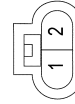
Connector No.	F20
Connector Name	FUEL INJECTOR NO.4
Connector Type	HS02FGY
Connector Color	GRAY



Terminal No.	Color of Wire	Signal Name
1	V	-
2	W	-

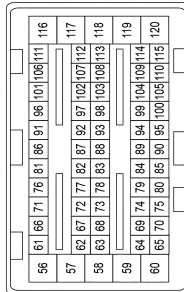
Terminal No.	Color of Wire	Signal Name
92	BR	SENSOR POWER SUPPLY
93	-	-
94	-	-
95	-	-
96	-	-
97	-	-
98	G	SENSOR POWER SUPPLY
99	-	-
100	-	-
101	-	-
102	W	VIAS CONTROL SOLENOID VALVE 2
103	P	IGNITION SIGNAL NO. 3
104	R	IGNITION SIGNAL NO. 6
105	B	ECM GROUND
106	P	IGNITION SIGNAL NO. 2
107	G	IGNITION SIGNAL NO. 5
108	R	VIAS CONTROL SOLENOID VALVE 1
109	-	-
110	B	ECM GROUND
111	-	-
112	-	-
113	G	IGNITION SIGNAL NO. 1
114	W	IGNITION SIGNAL NO. 4
115	-	-
116	SB	POWER SUPPLY FOR ECM (BACK-UP)
117	BR	INTAKE VALVE TIMING CONTROL SOLENOID VALVE (BANK 1)
118	LG	INTAKE VALVE TIMING INTERMEDIATE LOCK CONTROL SOLENOID VALVE (BANK 1)
119	Y	INTAKE VALVE TIMING CONTROL SOLENOID VALVE (BANK 2)
120	V	INTAKE VALVE TIMING INTERMEDIATE LOCK CONTROL SOLENOID VALVE (BANK 2)

Connector No.	F17
Connector Name	FUEL INJECTOR NO. 1
Connector Type	HS02FGY
Connector Color	GRAY



Terminal No.	Color of Wire	Signal Name
1	LG	-
2	G	-

Connector No.	F14
Connector Name	ECM
Connector Type	MAB55FB-MEB10-LH
Connector Color	BLACK



Terminal No.	Color of Wire	Signal Name
56	-	-
57	-	-
58	SB	EXHAUST VALVE TIMING CONTROL SOLENOID VALVE (BANK 1)
59	-	-
60	BR	EXHAUST VALVE TIMING CONTROL SOLENOID VALVE (BANK 2)
61	-	-
62	-	-
63	-	-
64	G	SENSOR GROUND
65	-	-
66	W	A/F SENSOR 1 (BANK 1)
67	B	A/F SENSOR 1 (BANK 1)
68	R	BATTERY TEMPERATURE SENSOR
69	W	BATTERY CURRENT SENSOR
70	GR	SHIELD
71	B	THROTTLE POSITION SENSOR 1
72	W	THROTTLE POSITION SENSOR 2
73	-	-
74	-	-
75	R	SENSOR GROUND
76	W	A/F SENSOR 1 (BANK 2)
77	B	A/F SENSOR 1 (BANK 2)
78	-	-
79	-	-
80	GR	SHIELD
81	-	-
82	-	-
83	LG	PNP SIGNAL
84	GR	CAMSHAFT POSITION SENSOR (PHASE) (BANK 1)
85	-	-
86	G	ECM RELAY (SELF SHUT-OFF) SENSOR GROUND
87	P	-
88	-	-
89	GR	CAMSHAFT POSITION SENSOR (PHASE) (BANK 2)
90	LG	SENSOR GROUND
91	-	-

AABIA1612GB

A
EC
C
D
E
F
G
H
I
J
K
L
M
N
O
P

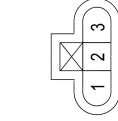
ENGINE CONTROL SYSTEM

< WIRING DIAGRAM >

[VQ35DE]

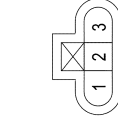
2	BR	-
3	GR	-
4	Y	-

Connector No.	F34
Connector Name	IGNITION COIL NO. 1 (WITH POWER TRANSISTOR)
Connector Type	E03FGY-RS
Connector Color	GRAY



Terminal No.	Color of Wire	Signal Name
1	G	-
2	B	-
3	W	-

Connector No.	F35
Connector Name	IGNITION COIL NO. 2 (WITH POWER TRANSISTOR)
Connector Type	E03FGY-RS
Connector Color	GRAY



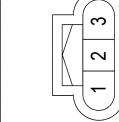
Terminal No.	Color of Wire	Signal Name
1	P	-
2	B	-
3	W	-

Connector No.	F29
Connector Name	EVAP CANISTER PURGE VOLUME CONTROL SOLENOID VALVE
Connector Type	E02FL-RS-LGY
Connector Color	BLUE



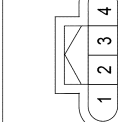
Terminal No.	Color of Wire	Signal Name
1	L	-
2	BR	-

Connector No.	F30
Connector Name	CRANKSHAFT POSITION SENSOR (POS)
Connector Type	RH03FB
Connector Color	BLACK



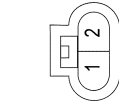
Terminal No.	Color of Wire	Signal Name
1	LG	-
2	Y	-
3	L	-

Connector No.	F31
Connector Name	MASS AIR FLOW SENSOR
Connector Type	RH04FB
Connector Color	BLACK



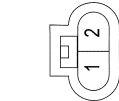
Terminal No.	Color of Wire	Signal Name
1	LG	-

Connector No.	F21
Connector Name	FUEL INJECTOR NO. 5
Connector Type	HS02FGY
Connector Color	GRAY



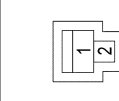
Terminal No.	Color of Wire	Signal Name
1	LG	-
2	P	-

Connector No.	F22
Connector Name	FUEL INJECTOR NO. 6
Connector Type	HS02FGY
Connector Color	GRAY



Terminal No.	Color of Wire	Signal Name
1	V	-
2	G	-

Connector No.	F26
Connector Name	CONDENSER-1
Connector Type	M02FW-GY-LC
Connector Color	WHITE



Terminal No.	Color of Wire	Signal Name
1	W	-
2	B	-

AABIA1613GB

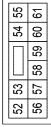
ENGINE CONTROL SYSTEM

< WIRING DIAGRAM >

[VQ35DE]

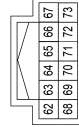
A
EC
C
D
E
F
G
H
I
J
K
L
M
N
O
P

Connector No.	F50
Connector Name	IPDM E/R (INTELLIGENT POWER DISTRIBUTION MODULE ENGINE ROOM)
Connector Type	NS10FW-CS
Connector Color	WHITE



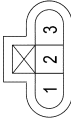
Terminal No.	Color of Wire	Signal Name
52	W	O2SENS #2
53	G	O2SENS #1
54	LG	INJECTOR #1
55	W	IGN COIL
57	R	ETC
58	SB	ECM BAT
59	L	ENG SOL
60	V	INJECTOR #2
61	Y	AT ECU

Connector No.	F51
Connector Name	IPDM E/R (INTELLIGENT POWER DISTRIBUTION MODULE ENGINE ROOM)
Connector Type	TH12FW-NH
Connector Color	WHITE



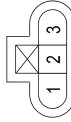
Terminal No.	Color of Wire	Signal Name
65	BR	ETC-RLY CONT
66	LG	NPSW
69	V	FPR
72	G	SSOFF

Connector No.	F38
Connector Name	IGNITION COIL NO. 5 (WITH POWER TRANSISTOR)
Connector Type	E03FGY-RS
Connector Color	GRAY



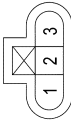
Terminal No.	Color of Wire	Signal Name
1	G	-
2	B	-
3	W	-

Connector No.	F39
Connector Name	IGNITION COIL NO. 6 (WITH POWER TRANSISTOR)
Connector Type	E03FGY-RS
Connector Color	GRAY



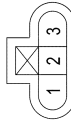
Terminal No.	Color of Wire	Signal Name
1	R	-
2	B	-
3	W	-

Connector No.	F36
Connector Name	IGNITION COIL NO. 3 (WITH POWER TRANSISTOR)
Connector Type	E03FGY-RS
Connector Color	GRAY



Terminal No.	Color of Wire	Signal Name
1	P	-
2	B	-
3	W	-

Connector No.	F37
Connector Name	IGNITION COIL NO. 4 (WITH POWER TRANSISTOR)
Connector Type	E03FGY-RS
Connector Color	GRAY



Terminal No.	Color of Wire	Signal Name
1	W	-
2	B	-
3	W	-

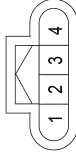
AABIA1614GB

ENGINE CONTROL SYSTEM

< WIRING DIAGRAM >

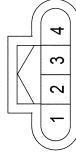
[VQ35DE]

Connector No.	F61
Connector Name	AIR FUEL RATIO (A/F) SENSOR 1 (BANK 2)
Connector Type	RH04FDGY-P
Connector Color	GRAY



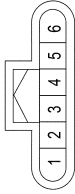
Terminal No.	Color of Wire	Signal Name
1	G	-
2	Y	-
3	W	-
4	B	-

Connector No.	F62
Connector Name	HEATED OXYGEN SENSOR 2 (BANK 1)
Connector Type	RH04FDGY-P
Connector Color	GRAY



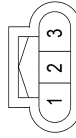
Terminal No.	Color of Wire	Signal Name
1	W	-
2	SB	-
3	W	-
4	B	-

Connector No.	F57
Connector Name	ELECTRIC THROTTLE CONTROL ACTUATOR
Connector Type	RH06FB
Connector Color	BLACK



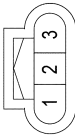
Terminal No.	Color of Wire	Signal Name
1	W	-
2	G	-
3	W	-
4	R	-
5	G	-
6	B	-

Connector No.	F60
Connector Name	CAMSHAFT POSITION SENSOR (PHASE) (BANK 2)
Connector Type	RH03FB
Connector Color	BLACK



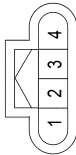
Terminal No.	Color of Wire	Signal Name
1	BR	-
2	LG	-
3	GR	-

Connector No.	F55
Connector Name	CAMSHAFT POSITION SENSOR (PHASE) (BANK 1)
Connector Type	RH03FB
Connector Color	BLACK



Terminal No.	Color of Wire	Signal Name
1	BR	-
2	LG	-
3	GR	-

Connector No.	F56
Connector Name	HEATED OXYGEN SENSOR 2 (BANK 2)
Connector Type	RH04F02HS
Connector Color	GRAY



Terminal No.	Color of Wire	Signal Name
1	G	-
2	SB	-
3	W	-
4	B	-

AABIA1615GB



ENGINE CONTROL SYSTEM

< WIRING DIAGRAM >

[VQ35DE]


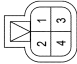
A
EC
C
D
E
F
G
H
I
J
K
L
M
N
O
P

Connector No.	F68
Connector Name	ENGINE OIL TEMPERATURE SENSOR
Connector Type	E02FG-RS-LGY
Connector Color	GRAY

Terminal No.	Color of Wire	Signal Name
1	Y	-
2	L	-


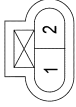
Connector No.	F69
Connector Name	WIRE TO WIRE
Connector Type	RS04FL-B
Connector Color	BLUE

Terminal No.	Color of Wire	Signal Name
1	B	-
2	GR	-
3	W	-
4	SHIELD	-


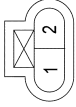
2	W	-
---	---	---

Connector No.	F66
Connector Name	INTAKE VALVE TIMING CONTROL SOLENOID VALVE (BANK 2)
Connector Type	E02FG-RS-LGY
Connector Color	GRAY



Terminal No.	Color of Wire	Signal Name
1	L	-
2	Y	-

Connector No.	F67
Connector Name	INTAKE VALVE TIMING CONTROL SOLENOID VALVE (BANK 1)
Connector Type	E02FG-RS-LGY
Connector Color	GRAY



Terminal No.	Color of Wire	Signal Name
1	L	-
2	BR	-

Connector No.	F63
Connector Name	VIAS CONTROL SOLENOID VALVE 1
Connector Type	E02FB-RS
Connector Color	BLACK


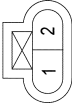
Terminal No.	Color of Wire	Signal Name
1	L	-
2	R	-

Connector No.	F64
Connector Name	ELECTRONIC CONTROLLED ENGINE MOUNT CONTROL SOLENOID VALVE
Connector Type	E02FBR-RS
Connector Color	BROWN

Terminal No.	Color of Wire	Signal Name
1	L	-
2	V	-

Connector No.	F65
Connector Name	VIAS CONTROL SOLENOID VALVE 2
Connector Type	E02FB-RS
Connector Color	BLACK

Terminal No.	Color of Wire	Signal Name
1	L	-

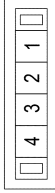
AABIA1616GB

ENGINE CONTROL SYSTEM

< WIRING DIAGRAM >

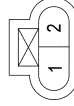
[VQ35DE]

Connector No.	F75
Connector Name	JOINT CONNECTOR-F08
Connector Type	TK04FW-J
Connector Color	WHITE



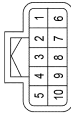
Terminal No.	Color of Wire	Signal Name
1	V	-
2	V	-
3	V	-
4	V	-

Connector No.	F76
Connector Name	INTAKE VALVE TIMING INTERMEDIATE LOCK CONTROL SOLENOID VALVE (BANK 1)
Connector Type	E02FG-RS-LGY
Connector Color	GRAY



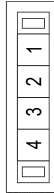
Terminal No.	Color of Wire	Signal Name
1	L	-
2	LG	-

Connector No.	F73
Connector Name	JOINT CONNECTOR-F01
Connector Type	RH10FB
Connector Color	BLACK



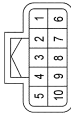
Terminal No.	Color of Wire	Signal Name
1	BR	-
2	BR	-
3	LG	-
4	LG	-
5	LG	-
6	BR	-
8	LG	-
9	LG	-

Connector No.	F74
Connector Name	JOINT CONNECTOR-F07
Connector Type	TK04FW-J
Connector Color	WHITE



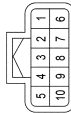
Terminal No.	Color of Wire	Signal Name
1	LG	-
2	LG	-
3	LG	-
4	LG	-

Connector No.	F71
Connector Name	JOINT CONNECTOR-F03
Connector Type	RH10FB
Connector Color	BLACK



Terminal No.	Color of Wire	Signal Name
1	B	-
2	B	-
6	B	-
7	B	-

Connector No.	F72
Connector Name	JOINT CONNECTOR-F04
Connector Type	RH10FB
Connector Color	BLACK



Terminal No.	Color of Wire	Signal Name
1	LG	-
2	LG	-
3	BR	-
4	BR	-
5	BR	-
6	LG	-
9	BR	-
10	Y	-

AABIA1617GB

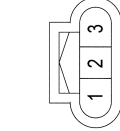
ENGINE CONTROL SYSTEM

< WIRING DIAGRAM >

[VQ35DE]

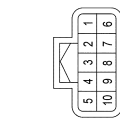
1	LG	-
2	BR	-
3	GR	-

Connector No.	F82
Connector Name	EXHAUST VALVE TIMING CONTROL POSITION SENSOR (PHASE) (BANK 1)
Connector Type	RH03FB
Connector Color	BLACK



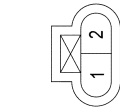
Terminal No.	Color of Wire	Signal Name
1	LG	-
2	BR	-
3	GR	-

Connector No.	F83
Connector Name	JOINT CONNECTOR-F02
Connector Type	RH10FB
Connector Color	BLACK



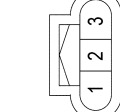
Terminal No.	Color of Wire	Signal Name
5	Y	-
6	Y	-

Connector No.	F79
Connector Name	EXHAUST VALVE TIMING CONTROL SOLENOID VALVE (BANK 2)
Connector Type	E02FG-RS-LGY
Connector Color	GRAY



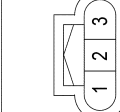
Terminal No.	Color of Wire	Signal Name
1	L	-
2	BR	-

Connector No.	F80
Connector Name	ENGINE OIL PRESSURE SENSOR
Connector Type	RH03FB
Connector Color	BLACK



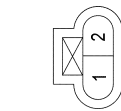
Terminal No.	Color of Wire	Signal Name
1	L	-
2	LG	-
3	R	-

Connector No.	F81
Connector Name	EXHAUST VALVE TIMING CONTROL POSITION SENSOR (PHASE) (BANK 2)
Connector Type	RH03FB
Connector Color	BLACK



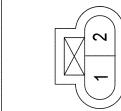
Terminal No.	Color of Wire	Signal Name
--------------	---------------	-------------

Connector No.	F77
Connector Name	INTAKE VALVE TIMING INTERMEDIATE LOCK CONTROL SOLENOID VALVE (BANK 2)
Connector Type	E02FG-RS-LGY
Connector Color	GRAY



Terminal No.	Color of Wire	Signal Name
1	L	-
2	V	-

Connector No.	F78
Connector Name	EXHAUST VALVE TIMING CONTROL SOLENOID VALVE (BANK 1)
Connector Type	E02FG-RS-LGY
Connector Color	GRAY



Terminal No.	Color of Wire	Signal Name
1	L	-
2	SB	-

AABIA1618GB

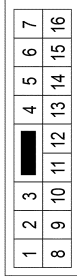
A
EC
C
D
E
F
G
H
I
J
K
L
M
N
O
P

ENGINE CONTROL SYSTEM

< WIRING DIAGRAM >

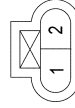
[VQ35DE]

Connector No.	B10
Connector Name	WIRE TO WIRE
Connector Type	NS16MM-CS
Connector Color	WHITE



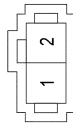
Terminal No.	Color of Wire	Signal Name
1	W	-
2	R	-
3	BG	-
5	R	-
6	BG	-
7	R	-
8	Y	-
9	L	-
12	W	-

Connector No.	B39
Connector Name	EVAP CANISTER VENT CONTROL VALVE
Connector Type	E02FB-RS
Connector Color	BLACK



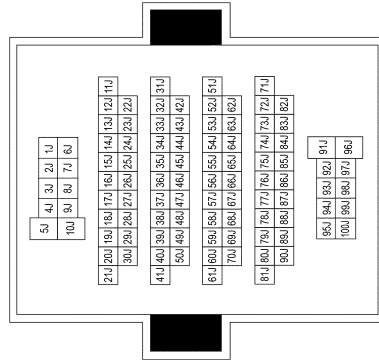
Terminal No.	Color of Wire	Signal Name
1	L	-
2	Y	-

2	SHIELD	-
Connector No.	F203	
Connector Name	KNOCK SENSOR (BANK 2)	
Connector Type	BS02FGY-B-H	
Connector Color	GRAY	



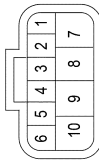
Terminal No.	Color of Wire	Signal Name
1	W	-
2	SHIELD	-

Connector No.	B1
Connector Name	WIRE TO WIRE
Connector Type	TH80MDGY-CS16-TM4
Connector Color	GRAY



Terminal No.	Color of Wire	Signal Name
51J	P	-
52J	P	-
53J	L	-
54J	L	-

Connector No.	F86
Connector Name	TRANSMISSION RANGE SWITCH
Connector Type	YDX06FB-HS4
Connector Color	BLACK



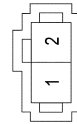
Terminal No.	Color of Wire	Signal Name
7	Y	-
10	LG	-

Connector No.	F201
Connector Name	WIRE TO WIRE
Connector Type	RS04ML
Connector Color	BLUE



Terminal No.	Color of Wire	Signal Name
1	B	-
2	SHIELD	-
3	W	-
4	SHIELD	-

Connector No.	F202
Connector Name	KNOCK SENSOR (BANK 1)
Connector Type	BS02FGY-B-H
Connector Color	GRAY



Terminal No.	Color of Wire	Signal Name
1	B	-

AABIA1619GB

ENGINE CONTROL SYSTEM

< WIRING DIAGRAM >

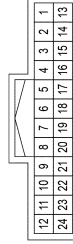
[VQ35DE]

Connector No.	B85
Connector Name	JOINT CONNECTOR-B10
Connector Type	TK04FW-J
Connector Color	WHITE



Terminal No.	Color of Wire	Signal Name
3	L	-
4	L	-

Connector No.	B89
Connector Name	ADAS CONTROL UNIT
Connector Type	TH24FW-NH
Connector Color	WHITE



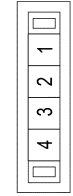
Terminal No.	Color of Wire	Signal Name
14	W	BRAKE RELAY

Connector No.	B82
Connector Name	JOINT CONNECTOR-B07
Connector Type	TK04FW-J
Connector Color	WHITE



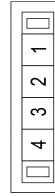
Terminal No.	Color of Wire	Signal Name
3	L	-
4	L	-

Connector No.	B83
Connector Name	JOINT CONNECTOR-B08
Connector Type	TK04FW-J
Connector Color	WHITE



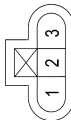
Terminal No.	Color of Wire	Signal Name
3	P	-
4	P	-

Connector No.	B84
Connector Name	JOINT CONNECTOR-B09
Connector Type	TK04FW-J
Connector Color	WHITE



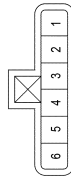
Terminal No.	Color of Wire	Signal Name
3	P	-
4	P	-

Connector No.	B41
Connector Name	EVAP CONTROL SYSTEM PRESSURE SENSOR
Connector Type	E03FGY-RS
Connector Color	GRAY



Terminal No.	Color of Wire	Signal Name
1	R	-
2	BG	-
3	W	-

Connector No.	B42
Connector Name	FUEL LEVEL SENSOR UNIT AND FUEL PUMP
Connector Type	E06FGY-RS
Connector Color	GRAY



Terminal No.	Color of Wire	Signal Name
1	R	-
3	BG	-
4	B	-
6	R	-

AABIA1620GB

A
EC
C
D
E
F
G
H
I
J
K
L
M
N
O
P

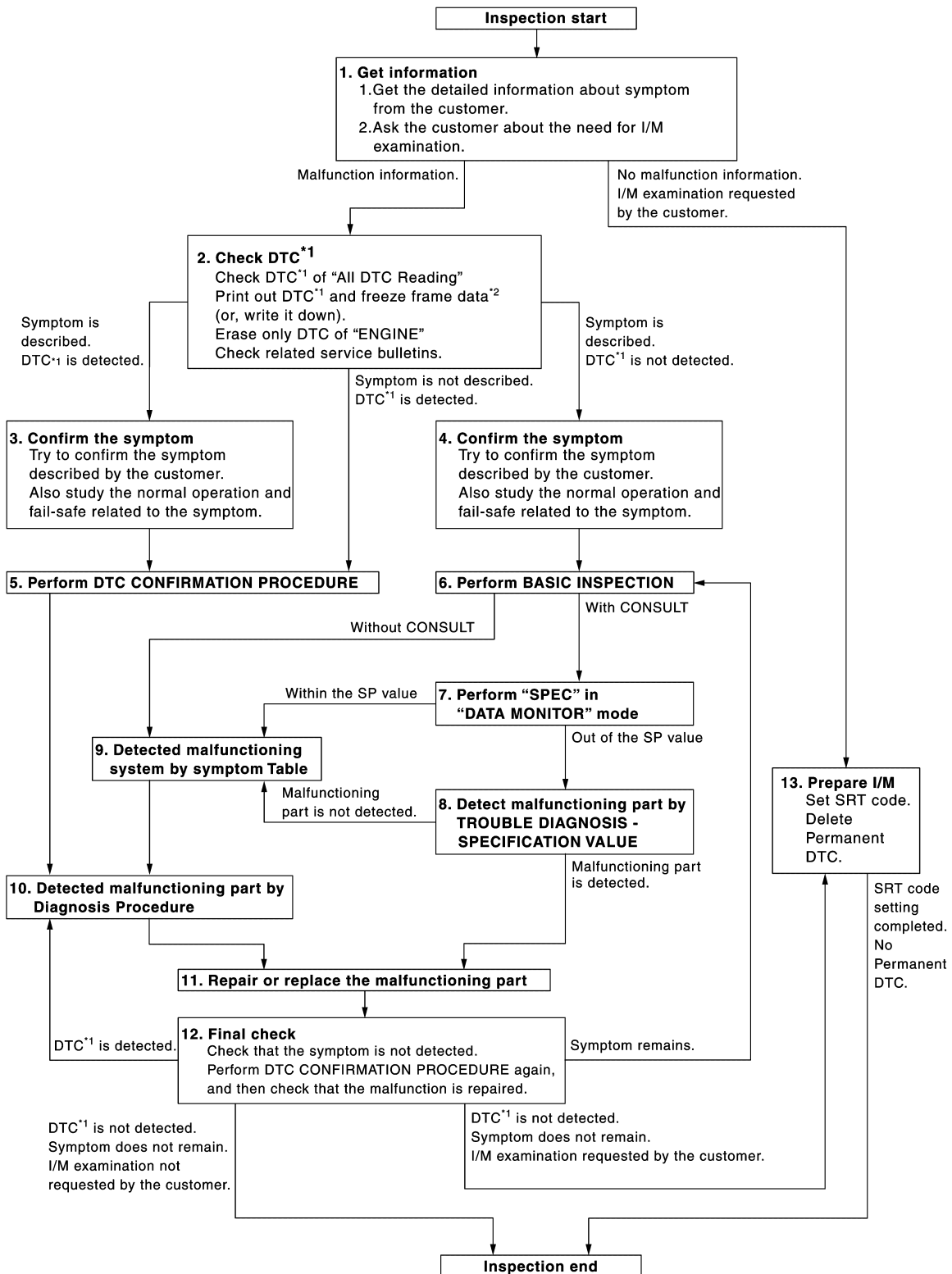
BASIC INSPECTION

DIAGNOSIS AND REPAIR WORKFLOW

Work Flow

INFOID:000000011939697

OVERALL SEQUENCE



JSBIA0123GB

*1: Include 1st trip DTC.

*2: Include 1st trip freeze frame data.

A

DETAILED FLOW

1. GET INFORMATION FOR SYMPTOM

EC

1. Get the detailed information from the customer about the symptom (the condition and the environment when the incident/malfunction occurred) using the "Diagnostic Work Sheet". (Refer to [EC-153, "Diagnostic Work Sheet"](#).)
2. Ask if the customer requests I/M examination.

C

D

Malfunction information, obtained>>GO TO 2.

No Malfunction information, but a request for I/M examination>>GO TO 13.

2. CHECK DTC

E

1. Check DTC of "All DTC Reading".
2. Perform the following procedure if DTC is displayed.
 - Record DTC and freeze frame data. (Print them out with CONSULT or GST.)
 - Erase only DTC of "ENGINE".
 - ⊗ With CONSULT: Refer to "How to Erase DTC and 1st Trip DTC" in [EC-73, "CONSULT Function"](#).
 - ⊗ Without CONSULT: Refer to "How to Erase Self-diagnostic Results" in [EC-70, "On Board Diagnosis Function"](#).
 - Turn ignition switch OFF.
 - Study the relationship between the cause detected by DTC and the symptom described by the customer. (Symptom Table is useful. Refer to [EC-575, "Symptom Table"](#).)
3. Check related service bulletins for information.

F

G

H

Are any symptoms described and any DTCs detected?

I

Symptom is described, DTC is detected>>GO TO 3.

Symptom is described, DTC is not detected>>GO TO 4.

Symptom is not described, DTC is detected>>GO TO 5.

3. CONFIRM THE SYMPTOM

J

Try to confirm the symptom described by the customer (except MIL ON).

Also study the normal operation and fail-safe related to the symptom. Refer to [EC-580, "Description"](#) and [EC-103, "Fail-safe"](#).

K

Diagnosis Work Sheet is useful to verify the incident.

Verify relation between the symptom and the condition when the symptom is detected.

L

>> GO TO 5.

4. CONFIRM THE SYMPTOM

M

Try to confirm the symptom described by the customer.

Also study the normal operation and fail-safe related to the symptom. Refer to [EC-580, "Description"](#) and [EC-103, "Fail-safe"](#).

N

Diagnosis Work Sheet is useful to verify the incident.

Verify relation between the symptom and the condition when the symptom is detected.

O

>> GO TO 6.

5. PERFORM DTC CONFIRMATION PROCEDURE

P

Perform DTC CONFIRMATION PROCEDURE for the displayed DTC, and then make sure that DTC is detected again.

If two or more DTCs are detected, refer to [EC-105, "DTC Inspection Priority Chart"](#) and determine trouble diagnosis order.

NOTE:

- Freeze frame data is useful if the DTC is not detected.

DIAGNOSIS AND REPAIR WORKFLOW

[VQ35DE]

< BASIC INSPECTION >

- Perform Component Function Check if DTC CONFIRMATION PROCEDURE is not included on Service Manual. This simplified check procedure is an effective alternative though DTC cannot be detected during this check.
If the result of Component Function Check is NG, it is the same as the detection of DTC by DTC CONFIRMATION PROCEDURE.

Is DTC detected?

- YES >> GO TO 10.
- NO >> Check according to [GI-41, "Intermittent Incident"](#).

6. PERFORM BASIC INSPECTION

Perform [EC-164, "Work Procedure"](#).

Do you have CONSULT?

- YES >> GO TO 7.
- NO >> GO TO 9.

7. PERFORM SPEC IN DATA MONITOR MODE

With CONSULT

Make sure that "MAS AIR FLOW SENSOR (Hz)", "B/FUEL SCHDL", "A/F ALPHA-B1" and "A/F ALPHA-B2" are within the SP value using CONSULT "SPEC" in "DATA MONITOR" mode of "ENGINE". Refer to [EC-182, "Component Function Check"](#).

Is the measurement value within the SP value?

- YES >> GO TO 9.
- NO >> GO TO 8.

8. DETECT MALFUNCTIONING PART BY TROUBLE DIAGNOSIS - SPECIFICATION VALUE

Detect malfunctioning part according to [EC-183, "Diagnosis Procedure"](#).

Is a malfunctioning part detected?

- YES >> GO TO 11.
- NO >> GO TO 9.

9. DETECT MALFUNCTIONING SYSTEM BY SYMPTOM TABLE

Detect malfunctioning system according to [EC-575, "Symptom Table"](#) based on the confirmed symptom in step 4, and determine the trouble diagnosis order based on possible causes and symptoms.

>> GO TO 10.

10. DETECT MALFUNCTIONING PART BY DIAGNOSIS PROCEDURE

Inspect according to Diagnosis Procedure of the system.



NOTE:

The Diagnosis Procedure in EC section described based on open circuit inspection. A short circuit inspection is also required for the circuit check in the Diagnosis Procedure. For details, refer to [GI-43, "Circuit Inspection"](#).

Is a malfunctioning part detected?

- YES >> GO TO 11.
- NO >> Monitor input data from related sensors or check voltage of related ECM terminals using CONSULT. Refer to [EC-86, "Reference Value"](#).

11. REPAIR OR REPLACE THE MALFUNCTIONING PART

1. Repair or replace the malfunctioning part.
2. Reconnect parts or connectors disconnected during Diagnosis Procedure again after repair and replacement.
3. Check DTC. If DTC is displayed, erase it.
 -  With CONSULT: Refer to "How to Erase DTC and 1st Trip DTC" in [EC-73, "CONSULT Function"](#).
 -  Without CONSULT: Refer to "How to Erase Self-diagnostic Results" in [EC-70, "On Board Diagnosis Function"](#).

>> GO TO 12.

DIAGNOSIS AND REPAIR WORKFLOW

< BASIC INSPECTION >

[VQ35DE]

12. FINAL CHECK

When DTC was detected in step 2, perform DTC CONFIRMATION PROCEDURE or Component Function Check again, and then make sure that the malfunction have been completely repaired.

When symptom was described from the customer, refer to confirmed symptom in step 3 or 4, and make sure that the symptom is not detected.

Is DTC detected and does symptom remain?

YES-1 >> DTC is detected: GO TO 10.

YES-2 >> Symptom remains: GO TO 6.

NO-1 >> No request for I/M examination from the customer: Before returning the vehicle to the customer, always erase unnecessary DTC in ECM and TCM (⊗ With CONSULT: Refer to "How to Read DTC and 1st Trip DTC" in [EC-73. "CONSULT Function"](#), ⊗ Without CONSULT: Refer to "How to Read Self-diagnostic Results" in [EC-70. "On Board Diagnosis Function"](#)).

NO-2 >> I/M examination, requested from the customer: GO TO 13.

13. PREPARE FOR I/M EXAMINATION

1. Set SRT codes. Refer to [EC-170. "Description"](#).
2. Erase permanent DTCs. Refer to [EC-176. "Description"](#).

>> INSPECTION END.

Diagnostic Work Sheet

INFOID:000000011939698

DESCRIPTION

There are many operating conditions that lead to the malfunction of engine components. A good grasp of such conditions can make troubleshooting faster and more accurate.

In general, each customer feels differently about symptoms. It is important to fully understand the symptoms or conditions for a customer complaint.

Utilize a diagnostic worksheet like the WORKSHEET SAMPLE below in order to organize all the information for troubleshooting.

Some conditions may cause the MIL to illuminate or blink, and DTC to be detected. Examples:

- Vehicle ran out of fuel, which caused the engine to misfire.
- Fuel filler cap was left off or incorrectly screwed on, allowing fuel to evaporate into the atmosphere.

KEY POINTS

WHAT Vehicle & engine model
WHEN Date, Frequencies
WHERE Road conditions
HOW Operating conditions,
Weather conditions,
Symptoms

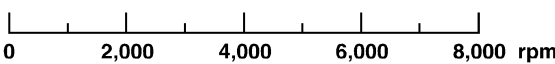
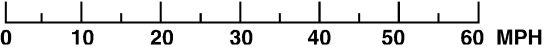
SEF907L

DIAGNOSIS AND REPAIR WORKFLOW

< BASIC INSPECTION >

[VQ35DE]

WORKSHEET SAMPLE

Customer name MR/MS		Model & Year	VIN
Engine #		Trans.	Mileage
Incident Date		Manuf. Date	In Service Date
Fuel and fuel filler cap		<input type="checkbox"/> Vehicle ran out of fuel causing misfire <input type="checkbox"/> Fuel filler cap was left off or incorrectly screwed on.	
Symptoms	<input type="checkbox"/> Startability	<input type="checkbox"/> Impossible to start <input type="checkbox"/> No combustion <input type="checkbox"/> Partial combustion <input type="checkbox"/> Partial combustion affected by throttle position <input type="checkbox"/> Partial combustion NOT affected by throttle position <input type="checkbox"/> Possible but hard to start <input type="checkbox"/> Others []	
	<input type="checkbox"/> Idling	<input type="checkbox"/> No fast idle <input type="checkbox"/> Unstable <input type="checkbox"/> High idle <input type="checkbox"/> Low idle <input type="checkbox"/> Others []	
	<input type="checkbox"/> Driveability	<input type="checkbox"/> Stumble <input type="checkbox"/> Surge <input type="checkbox"/> Knock <input type="checkbox"/> Lack of power <input type="checkbox"/> Intake backfire <input type="checkbox"/> Exhaust backfire <input type="checkbox"/> Others []	
	<input type="checkbox"/> Engine stall	<input type="checkbox"/> At the time of start <input type="checkbox"/> While idling <input type="checkbox"/> While accelerating <input type="checkbox"/> While decelerating <input type="checkbox"/> Just after stopping <input type="checkbox"/> While loading	
Incident occurrence		<input type="checkbox"/> Just after delivery <input type="checkbox"/> Recently <input type="checkbox"/> In the morning <input type="checkbox"/> At night <input type="checkbox"/> In the daytime	
Frequency		<input type="checkbox"/> All the time <input type="checkbox"/> Under certain conditions <input type="checkbox"/> Sometimes	
Weather conditions		<input type="checkbox"/> Not affected	
	Weather	<input type="checkbox"/> Fine <input type="checkbox"/> Raining <input type="checkbox"/> Snowing <input type="checkbox"/> Others []	
	Temperature	<input type="checkbox"/> Hot <input type="checkbox"/> Warm <input type="checkbox"/> Cool <input type="checkbox"/> Cold <input type="checkbox"/> Humid °F	
Engine conditions		<input type="checkbox"/> Cold <input type="checkbox"/> During warm-up <input type="checkbox"/> After warm-up Engine speed 	
Road conditions		<input type="checkbox"/> In town <input type="checkbox"/> In suburbs <input type="checkbox"/> Highway <input type="checkbox"/> Off road (up/down)	
Driving conditions		<input type="checkbox"/> Not affected <input type="checkbox"/> At starting <input type="checkbox"/> While idling <input type="checkbox"/> At racing <input type="checkbox"/> While accelerating <input type="checkbox"/> While cruising <input type="checkbox"/> While decelerating <input type="checkbox"/> While turning (RH/LH) Vehicle speed 	
Malfunction indicator lamp		<input type="checkbox"/> Turned on <input type="checkbox"/> Not turned on	

MTBL0017

SERVICE AFTER REPLACING OR REMOVING ENGINE PARTS

< BASIC INSPECTION >

[VQ35DE]

SERVICE AFTER REPLACING OR REMOVING ENGINE PARTS

Description

INFOID:0000000011939699

SPECIAL REPAIR REQUIREMENT

×: Applicable

Part name	Service performed		Required service	Reference
	Replacement	Removal*1		
ECM	×		Additional service when replacing ECM	EC-156
		×	Accelerator pedal released position learning	EC-158
			Throttle valve closed position learning	EC-159
			Idle air volume learning	EC-160
			VIN registration	EC-163
Accelerator Pedal	×	×	Accelerator pedal released position learning	EC-158
Electric throttle	×	×	Throttle valve closed position learning	EC-159
	×		Idle air volume learning	EC-160
Engine assembly	×		Throttle valve closed position learning*2	EC-159
			Idle air volume learning*2	EC-160
		×	Accelerator pedal released position learning	EC-158
			Throttle valve closed position learning*2	EC-159

*1: Harness connector disconnection included.

*2: Replacement of engine with a electric throttle.

ADDITIONAL SERVICE WHEN REPLACING ECM

Description

INFOID:000000011939700

When replacing ECM, the following procedure must be performed. (For details, refer to [EC-156, "Work Procedure"](#).)

PROGRAMMING OPERATION

NOTE:

After replacing with a blank ECM, programming is required to write ECM information. Be sure to follow the procedure to perform the programming.

BEFORE REPLACEMENT

When replacing ECM, perform "SAVING DATA FOR REPLC CPU" in "WORK SUPPORT" of "ENGINE" by using CONSULT to save current ECM data before replacement.

AFTER REPLACEMENT

After replacing ECM, the following items must be performed:

- Write data after replace CPU
- Accelerator pedal released position learning
- Throttle valve closed position learning
- Idle air volume learning

Work Procedure

INFOID:000000011939701

1. SAVE ECM DATA

Ⓟ With CONSULT

1. Turn ignition switch OFF.
2. Reconnect all harness connectors disconnected.
3. Turn ignition switch ON.
4. Select "SAVING DATA FOR REPLC CPU" in "WORK SUPPORT" mode of "ENGINE" using CONSULT.
5. Follow the instruction of CONSULT display.

NOTE:

- Necessary data in ECM is copied and saved to CONSULT.
- Go to Step 2 regardless of with or without success in saving data.

>> GO TO 2.

2. CHECK ECM PART NUMBER

Check ECM part number to see whether it is blank ECM or not.

NOTE:

- Part number of blank ECM is 23703 - xxxxxx.
- Check part number when ordering ECM or the one included in the label on the container box.

Is the ECM a blank ECM?

- YES >> GO TO 3.
 NO >> GO TO 5.

3. SAVE ECM PART NUMBER

Read out the part number from the old ECM and save the number, following the programming instructions. Refer to CONSULT Operation Manual.

NOTE:

- The ECM part number is saved in CONSULT.
- Even when ECM part number is not saved in CONSULT, go to 4.

>> GO TO 4.

4. PERFORM ECM PROGRAMMING

After replacing ECM, perform the ECM programming. Refer to CONSULT Operation Manual.

NOTE:

- Refer to [EC-586, "Removal and Installation"](#) for replacement of ECM.

ADDITIONAL SERVICE WHEN REPLACING ECM

[VQ35DE]

< BASIC INSPECTION >

- During programming, maintain the following conditions:
 - Ignition switch: ON
 - Electric load: OFF
 - Brake pedal: Not depressed
 - Battery voltage: 12 – 13.5 V (Be sure to check the value of battery voltage by selecting “BATTERY VOLT” in “Data monitor” of CONSULT.)

>> GO TO 6.

5. REPLACE ECM

Replace ECM. Refer to [EC-586, "Removal and Installation"](#).

>> GO TO 6.

6. PERFORM INITIALIZATION OF IVIS (NATS) SYSTEM AND REGISTRATION OF ALL IVIS (NATS) IGNITION KEY IDS

Refer to [DLK-71, "Description"](#).

>> GO TO 7.

7. CHECK ECM DATA STATUS


Check if the data is successfully copied from the ECM at Step 1 (before replacement) and saved in CONSULT.

Is the data saved successfully?

YES >> GO TO 8.

NO >> GO TO 9.

8. WRITE ECM DATA

 With CONSULT

1. Select “WRITING DATA FOR REPLC CPU” in “WORK SUPPORT” mode of “ENGINE” using CONSULT.
2. Follow the instruction of CONSULT display.

NOTE:

The data saved by “SAVING DATA FOR REPLC CPU” is written to ECM.

>> GO TO 10.

9. PERFORM VIN REGISTRATION

Refer to [EC-163, "Description"](#).

>> GO TO 10.

10. PERFORM ACCELERATOR PEDAL RELEASED POSITION LEARNING

Refer to [EC-158, "Description"](#).

>> GO TO 11.

11. PERFORM THROTTLE VALVE CLOSED POSITION LEARNING

Refer to [EC-159, "Description"](#).

>> GO TO 12.

12. PERFORM IDLE AIR VOLUME LEARNING

Refer to [EC-160, "Description"](#).

>> END

ACCELERATOR PEDAL RELEASED POSITION LEARNING

< BASIC INSPECTION >

[VQ35DE]

ACCELERATOR PEDAL RELEASED POSITION LEARNING

Description

INFOID:000000011939702

Accelerator Pedal Released Position Learning is a function of ECM to learn the fully released position of the accelerator pedal by monitoring the accelerator pedal position sensor output signal. It must be performed each time the harness connector of the accelerator pedal position sensor or ECM is disconnected.

For details, refer to [EC-158, "Work Procedure"](#).

Work Procedure

INFOID:000000011939703

1.START

1. Check that accelerator pedal is fully released.
2. Turn ignition switch ON and wait at least 2 seconds.
3. Turn ignition switch OFF and wait at least 10 seconds.
4. Turn ignition switch ON and wait at least 2 seconds.
5. Turn ignition switch OFF and wait at least 10 seconds.

>> END

THROTTLE VALVE CLOSED POSITION LEARNING

< BASIC INSPECTION >

[VQ35DE]

THROTTLE VALVE CLOSED POSITION LEARNING

Description

INFOID:000000011939704

Throttle Valve Closed Position Learning is a function of ECM to learn the fully closed position of the throttle valve by monitoring the throttle position sensor output signal. It must be performed each time the harness connector of electric throttle control actuator or ECM is disconnected or electric throttle control actuator is cleaned.

For details, refer to [EC-159. "Work Procedure"](#).

Work Procedure

INFOID:000000011939705

1. START

Ⓜ WITH CONSULT

1. Turn ignition switch ON.
2. Select "CLSD THL POS LEARN" in "WORK SUPPORT" mode.
3. Follow the instructions on the CONSULT display.
4. Turn ignition switch OFF and wait at least 10 seconds.
Check that throttle valve moves during the above 10 seconds by confirming the operating sound.

ⓧ WITHOUT CONSULT

1. Start the engine.
NOTE:
Coolant temperature is less than 25°C (77°F) before engine starts.
2. Warm up the engine.
NOTE:
Warm up the engine until "COOLANT TEMP/S" on "DATA MONITOR" of CONSULT reaches more than 65°C (149°F).
3. Turn ignition switch OFF and wait at least 10 seconds.
NOTE:
Check that throttle valve moves during the above 10 seconds by confirming the operating sound.

>> END

IDLE AIR VOLUME LEARNING

Description

INFOID:000000011939706

Idle Air Volume Learning is a function of ECM to learn the idle air volume that keeps engine idle speed within the specific range. It must be performed under the following conditions:

- Each time the electric throttle control actuator or ECM is replaced.
- Idle speed or ignition timing is out of the specification.

For details, refer to [EC-160, "Work Procedure"](#).

Work Procedure

INFOID:000000011939707

1. PRECONDITIONING

Check that all of the following conditions are satisfied.

Learning will be cancelled if any of the following conditions are missed for even a moment.

- Battery voltage: More than 12.9 V (At idle)
- Engine coolant temperature: 70 - 100°C (158 - 212°F)
- Selector lever position: P or N
- Electric load switch: OFF
(Air conditioner, head lamp, rear window defogger)

On vehicles equipped with daytime light systems, if the parking brake is applied before the engine is started the head lamp will not illuminate.

- Steering wheel: Neutral (Straight-ahead position)
- Vehicle speed: Stopped
- Transmission: Warmed-up
- With CONSULT: Drive vehicle until "ATF TEMP SEN" in "DATA MONITOR" mode of "CVT" system indicates less than 0.9 V.
- Without CONSULT: Drive vehicle for 10 minutes.

Will CONSULT be used?

- YES >> GO TO 2.
- NO >> GO TO 3.

2. PERFORM IDLE AIR VOLUME LEARNING

With CONSULT

1. Perform Accelerator Pedal Released Position Learning. Refer to [EC-158, "Description"](#).
2. Perform Throttle Valve Closed Position Learning. Refer to [EC-159, "Description"](#).
3. Start engine and warm it up to normal operating temperature.
4. Select "IDLE AIR VOL LEARN" in "WORK SUPPORT" mode.
5. Touch "START" and wait 20 seconds.

Is "CMPLT" displayed on CONSULT screen?

- YES >> GO TO 4.
- NO >> GO TO 5.

3. PERFORM IDLE AIR VOLUME LEARNING

Without CONSULT

NOTE:

- It is better to count the time accurately with a clock.
- It is impossible to switch the diagnostic mode when an accelerator pedal position sensor circuit has a malfunction.

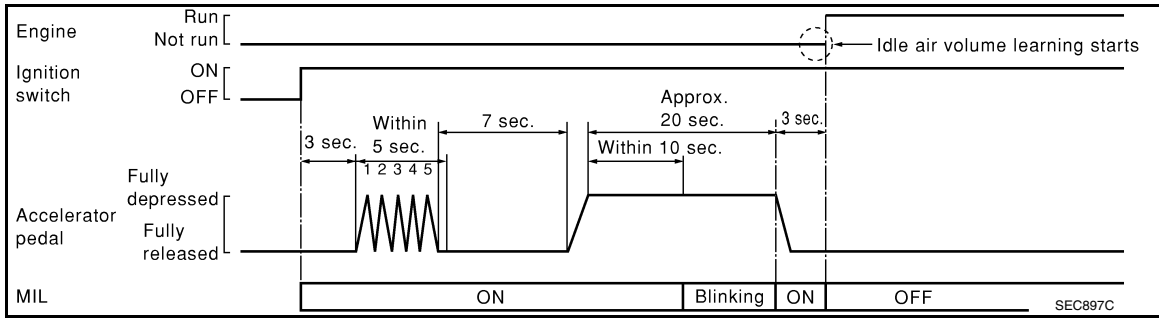
1. Perform Accelerator Pedal Released Position Learning. Refer to [EC-158, "Description"](#).
2. Perform Throttle Valve Closed Position Learning. Refer to [EC-159, "Description"](#).
3. Start engine and warm it up to normal operating temperature.
4. Turn ignition switch OFF and wait at least 10 seconds.
5. Confirm that accelerator pedal is fully released, turn ignition switch ON and wait 3 seconds.
6. Repeat the following procedure quickly 5 times within 5 seconds.
 - Fully depress the accelerator pedal.
 - Fully release the accelerator pedal.
7. Wait 7 seconds, fully depress the accelerator pedal for approx. 20 seconds until the MIL stops blinking and turns ON.

IDLE AIR VOLUME LEARNING

[VQ35DE]

< BASIC INSPECTION >

8. Fully release the accelerator pedal within 3 seconds after the MIL turns ON.
9. Start engine and let it idle.
10. Wait 20 seconds.



>> GO TO 4.

4. CHECK IDLE SPEED AND IGNITION TIMING

Rev up the engine 2 or 3 times and check that idle speed and ignition timing are within the specifications. For procedure, refer to [EC-581, "Work Procedure"](#) and [EC-582, "Work Procedure"](#). For specifications, refer to [EC-587, "Idle Speed"](#) and [EC-587, "Ignition Timing"](#).

Is the inspection result normal?

- YES >> INSPECTION END
- NO >> GO TO 5.

5. DETECT MALFUNCTIONING PART-I

Check the following

- Check that throttle valve is fully closed.
- Check PCV valve operation.
- Check that downstream of throttle valve is free from air leakage.

Is the inspection result normal?

- YES >> GO TO 6.
- NO >> Repair or replace malfunctioning part.

6. DETECT MALFUNCTIONING PART-II

Engine component parts and their installation condition are questionable. Check and eliminate the cause of the incident.

It is useful to perform "TROUBLE DIAGNOSIS - SPECIFICATION VALUE". Refer to [EC-182, "Description"](#). If any of the following conditions occur after the engine has started, eliminate the cause of the incident and perform Idle Air Volume Learning again:

- Engine stalls.
- Incorrect idle.

>> INSPECTION END

MIXTURE RATIO SELF-LEARNING VALUE CLEAR

< BASIC INSPECTION >

[VQ35DE]

MIXTURE RATIO SELF-LEARNING VALUE CLEAR

Description

INFOID:000000011939708

This describes how to erase the mixture ratio self-learning value. For the actual procedure, follow the instructions in "Diagnosis Procedure".

For details, refer to [EC-162, "Work Procedure"](#).

Work Procedure

INFOID:000000011939709

1. START

With CONSULT

1. Start engine and warm it up to normal operating temperature.
2. Select "SELF-LEARNING CONT" in "WORK SUPPORT" mode with CONSULT.
3. Clear mixture ratio self-learning value by touching "CLEAR".

With GST

1. Start engine and warm it up to normal operating temperature.
2. Turn ignition switch OFF.
3. Disconnect mass air flow sensor harness connector.
4. Restart engine and let it idle for at least 5 seconds.
5. Stop engine and reconnect mass air flow sensor harness connector.
6. Select Service \$03 with GST. Check that DTC P0102 is detected.
7. Select Service \$04 with GST to erase the DTC P0102.

>> END

VIN REGISTRATION

< BASIC INSPECTION >

[VQ35DE]

VIN REGISTRATION

Description

INFOID:0000000011939710

VIN Registration is an operation to register VIN in ECM. It must be performed each time ECM is replaced.

NOTE:

Accurate VIN which is registered in ECM may be required for Inspection & Maintenance (I/M).

For details, refer to [EC-163. "Work Procedure"](#).

Work Procedure

INFOID:0000000011939711

1. CHECK VIN

Check the VIN of the vehicle and note it. Refer to [GI-34. "Identification Plate"](#).

>> GO TO 2.

2. PERFORM VIN REGISTRATION

With CONSULT

1. Turn ignition switch ON with engine stopped.
2. Select "VIN REGISTRATION" in "WORK SUPPORT" mode.
3. Follow the instructions on the CONSULT display.

>> END

A

EC

C

D

E

F

G

H

I

J

K

L

M

N

O

P

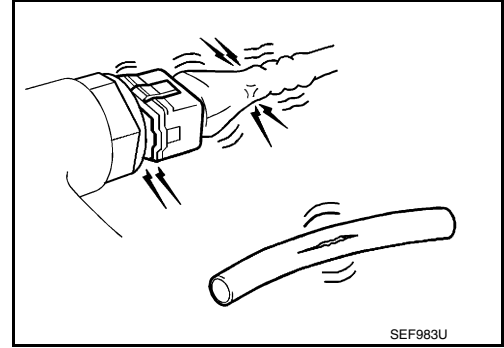
BASIC INSPECTION

Work Procedure

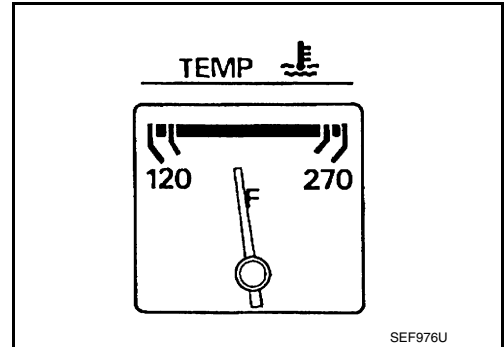
INFOID:000000011939712

1.INSPECTION START

1. Check service records for any recent repairs that may indicate a related malfunction, or a current need for scheduled maintenance.
2. Open engine hood and check the following:
 - Harness connectors for improper connections
 - Wiring harness for improper connections, pinches and cut
 - Vacuum hoses for splits, kinks and improper connections
 - Hoses and ducts for leakage
 - Air cleaner clogging
 - Gasket
3. Check that electrical or mechanical loads are not applied.
 - Head lamp switch is OFF.
 - Air conditioner switch is OFF.
 - Rear window defogger switch is OFF.
 - Steering wheel is in the straight-ahead position, etc.



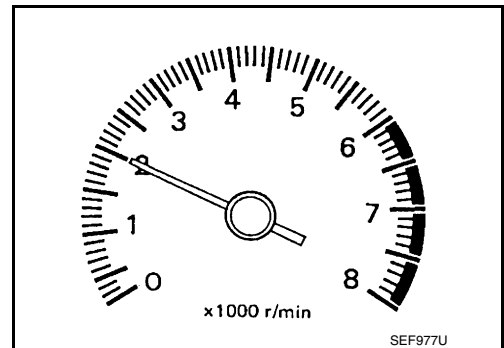
4. Start engine and warm it up until engine coolant temperature indicator points to the middle of gauge.
Check that engine stays below 1,000 rpm.



5. Run engine at approximately 2,000 rpm for approximately 2 minutes under no load.
6. Check that no DTC is displayed with CONSULT or GST.

Are any DTCs detected?

- YES >> GO TO 2.
NO >> GO TO 3.



2.REPAIR OR REPLACE

Repair or replace components as necessary according to corresponding Diagnostic Procedure.

>> GO TO 3

3.CHECK TARGET IDLE SPEED

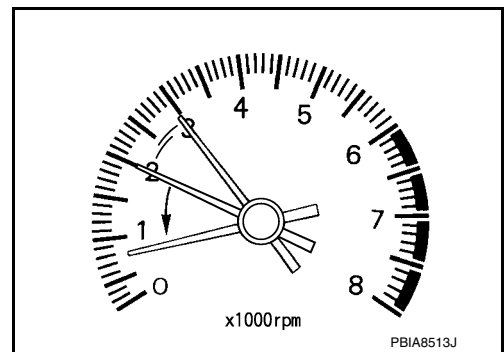
1. Run engine at approximately 2,000 rpm for approximately 2 minutes under no load.

BASIC INSPECTION

[VQ35DE]

< BASIC INSPECTION >

- Rev engine (2,000 to 3,000 rpm) 2 or 3 times under no load, then run engine at idle speed for approximately 1 minute.
- Check idle speed.
For procedure, refer to [EC-581, "Work Procedure"](#).
For specification, refer to [EC-587, "Idle Speed"](#).



Is the inspection result normal?

- YES >> GO TO 10.
NO >> GO TO 4.

4.PERFORM ACCELERATOR PEDAL RELEASED POSITION LEARNING

- Stop engine.
- Perform Accelerator Pedal Position Learning. Refer to [EC-158, "Description"](#).

>> GO TO 5.

5.PERFORM THROTTLE VALVE CLOSED POSITION LEARNING

Perform Throttle Valve Closed Position Learning. Refer to [EC-159, "Description"](#).

>> GO TO 6.

6.PERFORM IDLE AIR VOLUME LEARNING

Perform Idle Air Volume Learning. Refer to [EC-160, "Description"](#).

Is Idle Air Volume Learning carried out successfully?

- YES >> GO TO 7.
NO >> Follow the instruction of Idle Air Volume Learning. Then GO TO 4.

7.CHECK IDLE SPEED AGAIN

- Start engine and warm it up to normal operating temperature.
- Check idle speed.
For procedure, refer to [EC-581, "Work Procedure"](#).
For specification, refer to [EC-587, "Idle Speed"](#).

Is the inspection result normal?

- YES >> GO TO 10.
NO >> GO TO 8.

8.DETECT MALFUNCTIONING PART

Check the Following.

- Check camshaft position sensor (PHASE) and circuit. Refer to [EC-332, "Diagnosis Procedure"](#).
- Check crankshaft position sensor (POS) and circuit. Refer to [EC-327, "Diagnosis Procedure"](#).

Is the inspection result normal?

- YES >> GO TO 9.
NO >> Repair or replace malfunctioning part. Then GO TO 4.

9.CHECK ECM FUNCTION

- Substitute with a non-malfunctioning ECM to check ECM function. (ECM may be the cause of the incident, although this is rare.)
- Perform initialization of NVIS (NATS) system and registration of all NVIS (NATS) ignition key IDs. Refer to [DLK-71, "Description"](#).

>> GO TO 4.

10.CHECK IGNITION TIMING

- Run engine at idle.
- Check ignition timing with a timing light.
For procedure, refer to [EC-582, "Work Procedure"](#).

BASIC INSPECTION

[VQ35DE]

< BASIC INSPECTION >

For specification, refer to [EC-587, "Ignition Timing"](#).

Is the inspection result normal?

- YES >> GO TO 19.
NO >> GO TO 11.

11.PERFORM ACCELERATOR PEDAL RELEASED POSITION LEARNING

1. Stop engine.
2. Perform Accelerator Pedal Position Learning. Refer to [EC-158, "Description"](#).

>> GO TO 12.

12.PERFORM THROTTLE VALVE CLOSED POSITION LEARNING

Perform Throttle Valve Closed Position Learning. Refer to [EC-159, "Description"](#).

>> GO TO 13.

13.PERFORM IDLE AIR VOLUME LEARNING

Perform Idle Air Volume Learning. Refer to [EC-160, "Description"](#).

Is Idle Air Volume Learning carried out successfully?

- YES >> GO TO 14.
NO >> Follow the instruction of Idle Air Volume Learning. Then GO TO 4.

14.CHECK IDLE SPEED AGAIN

1. Start engine and warm it up to normal operating temperature.
2. Check idle speed.
For procedure, refer to [EC-581, "Work Procedure"](#).
For specification, refer to [EC-587, "Idle Speed"](#).

Is the inspection result normal?

- YES >> GO TO 15.
NO >> GO TO 17.

15.CHECK IGNITION TIMING AGAIN

1. Run engine at idle.
2. Check ignition timing with a timing light.
For procedure, refer to [EC-582, "Work Procedure"](#).
For specification, refer to [EC-587, "Ignition Timing"](#).

Is the inspection result normal?

- YES >> GO TO 19.
NO >> GO TO 16.

16.CHECK TIMING CHAIN INSTALLATION

Check timing chain installation. Refer to [EM-66, "Exploded View"](#).

Is the inspection result normal?

- YES >> GO TO 17.
NO >> Repair the timing chain installation. Then GO TO 4.

17.DETECT MALFUNCTIONING PART

Check the following.

- Check camshaft position sensor (PHASE) and circuit. Refer to [EC-332, "Diagnosis Procedure"](#).
- Check crankshaft position sensor (POS) and circuit. Refer to [EC-327, "Diagnosis Procedure"](#).

Is the inspection result normal?

- YES >> GO TO 18.
NO >> Repair or replace malfunctioning part. Then GO TO 4.

18.CHECK ECM FUNCTION

1. Substitute with a non-malfunctioning ECM to check ECM function. (ECM may be the cause of the incident, although this is rare.)

BASIC INSPECTION

[VQ35DE]

< BASIC INSPECTION >

2. Perform initialization of NVIS (NATS) system and registration of all NVIS (NATS) ignition key IDs. Refer to [EC-156, "Description"](#).

A

>> GO TO 4.

19.INSPECTION END

EC

If ECM is replaced during this BASIC INSPECTION procedure, perform [EC-156, "Description"](#).

C

>> INSPECTION END

D

E

F

G

H

I

J

K

L

M

N

O

P

FUEL PRESSURE

Work Procedure

INFOID:000000011939713

FUEL PRESSURE RELEASE

Ⓜ With CONSULT

1. Turn ignition switch ON.
2. Perform "FUEL PRESSURE RELEASE" in "WORK SUPPORT" mode with CONSULT.
3. Start engine.
4. After engine stalls, crank it 2 or 3 times to release all fuel pressure.
5. Turn ignition switch OFF.

ⓧ Without CONSULT

1. Remove fuel pump fuse located in IPDM E/R.
2. Start engine.
3. After engine stalls, crank it 2 or 3 times to release all fuel pressure.
4. Turn ignition switch OFF.
5. Reinstall fuel pump fuse after servicing fuel system.

FUEL PRESSURE CHECK

CAUTION:

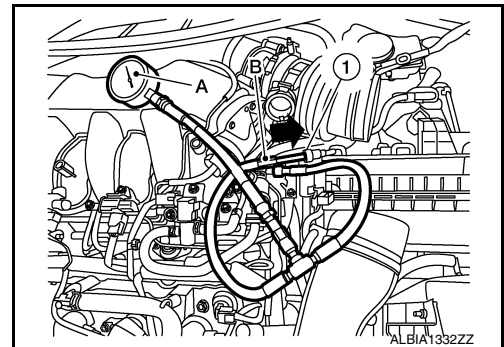
Before disconnecting fuel line, release fuel pressure from fuel line to eliminate danger.

NOTE:

- Prepare pans or saucers under the disconnected fuel line because the fuel may spill out. The fuel pressure cannot be completely released because this models do not have fuel return system.
- Be careful not to scratch or get the fuel hose connection area dirty when servicing, so that the quick connector o-ring maintains seal ability.
- Use Fuel Pressure Gauge Kit [SST: — (J-44321)] and Fuel Pressure Adapter [SST: — (J-44321-6)] to check fuel pressure.

1. Release fuel pressure to zero.
2. Remove fuel hose using Quick Connector Release [SST: — (J-45488)].
 - Do not twist or kink fuel hose because it is plastic hose.
 - Do not remove fuel hose from quick connector.
 - Keep fuel hose connections clean.
3. Install Fuel Pressure Adapter [SST: — (J-44321-6)] (B) and Fuel Pressure Gauge kit [SST: — (J44321)] (A) as shown in figure.
 - Do not distort or bend fuel rail tube when installing fuel pressure gauge adapter.
 - When reconnecting fuel hose, check the original fuel hose for damage and abnormality.

- A : Fuel pressure gauge
- B : Fuel pressure adapter
- ① : Quick connector



4. Turn ignition switch ON (reactivate fuel pump) and check for fuel leakage.
5. Start engine and check for fuel leakage.
6. Read the indication of fuel pressure gauge kit [SST: — (J-44321)].
 - During fuel pressure check, check for fuel leakage from fuel connection every 3 minutes.

At idling : Approximately 350 kPa (3.5 bar, 3.57 kg/cm², 51 psi)

7. If result is unsatisfactory, go to next step.
8. Check the following.
 - Fuel hoses and fuel tubes for clogging

FUEL PRESSURE

[VQ35DE]

< BASIC INSPECTION >

- Fuel filter for clogging
 - Fuel pump
 - Fuel pressure regulator for clogging
9. If OK, replace fuel pressure regulator.
If NG, repair or replace malfunctioning part.
10. Before disconnecting Fuel Pressure Gauge kit [SST: — (J-44321)] and Fuel Pressure Adapter [SST: — (J-44321-6)], release fuel pressure to zero.

A

EC

C

D

E

F

G

H

I

J

K

L

M

N

O

P

HOW TO SET SRT CODE

< BASIC INSPECTION >

[VQ35DE]

HOW TO SET SRT CODE

Description

INFOID:000000011939714

OUTLINE

In order to set all SRTs, the self-diagnoses as in the "SRT ITEM" table must have been performed at least once. Each diagnosis may require actual driving for a long period of time under various conditions.

SRT ITEM

The table below shows required self-diagnostic items to set the SRT to "CMPLT".

SRT item*1 (CONSULT indication)	Performance Priority*2	Required self-diagnostic items to set the SRT to "CMPLT"	Corresponding DTC No.
CATALYST	2	Three way catalyst function	P0420, P0430
EVAP SYSTEM	2	EVAP control system purge flow monitoring	P0441
		EVAP control system	P0456
HO2S	2	Air fuel ratio (A/F) sensor 1	P014C, P014D, P014E, P014F, P015A, P015B,P015C, P015D
		Heated oxygen sensor 2	P0137, P0157
		Heated oxygen sensor 2	P0138, P0158
		Heated oxygen sensor 2	P0139, P0159
EGR/VVT SYSTEM	3	Intake valve timing control function	P0011, P0021, P052A, P052B, P052C, P052D

*1: Though displayed on the CONSULT screen, "HO2S HTR" is not SRT item.

*2: If completion of several SRTs is required, perform driving patterns (DTC confirmation procedure), one by one based on the priority for models with CONSULT.

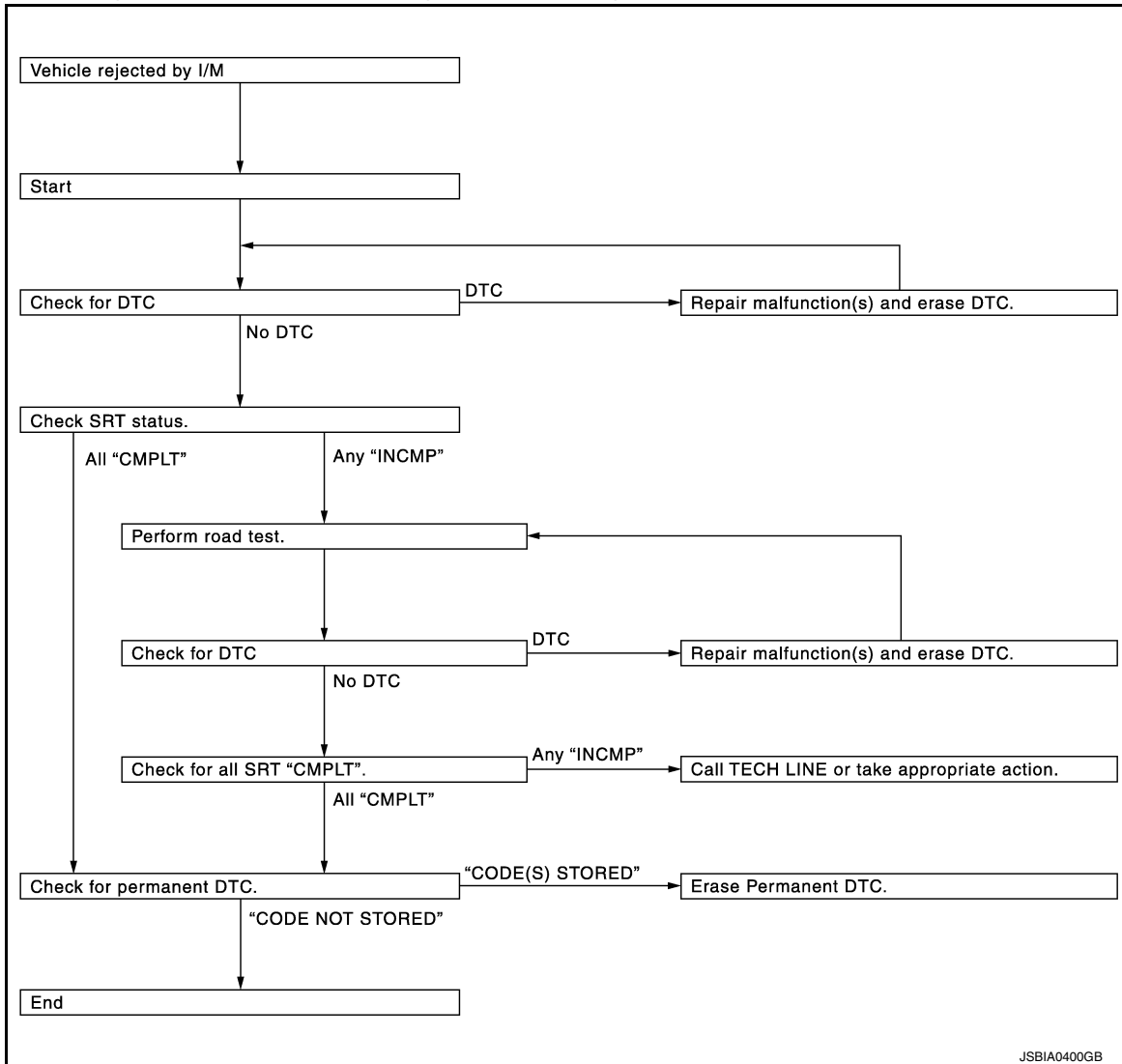
SRT SERVICE PROCEDURE

HOW TO SET SRT CODE

< BASIC INSPECTION >

[VQ35DE]

If a vehicle has failed the state emissions inspection due to one or more SRT items indicating "INCMP", review the flowchart diagnostic sequence, referring to the following flowchart.



SRT Set Driving Pattern

INFOID:000000011939715

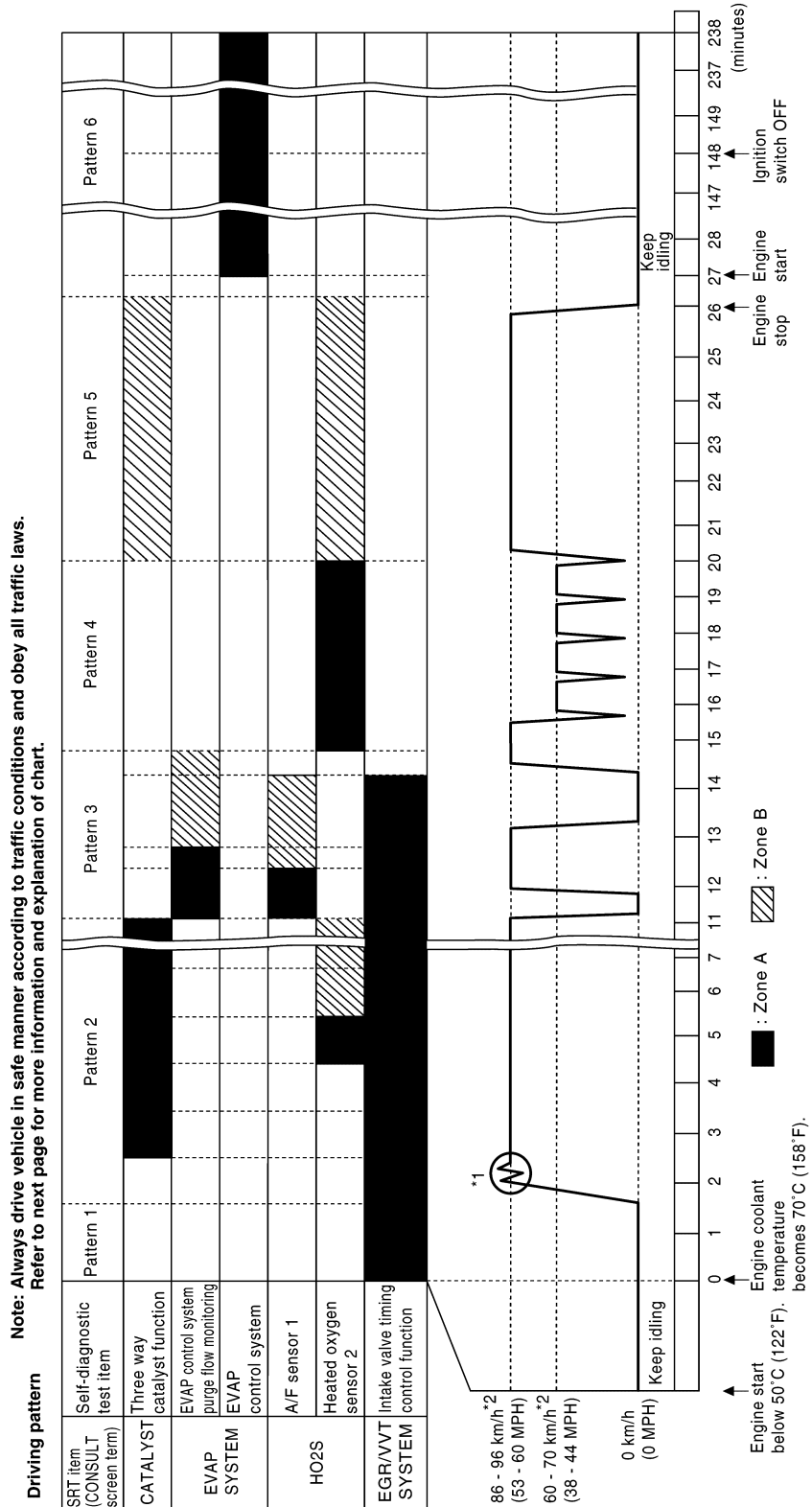
CAUTION:

HOW TO SET SRT CODE

< BASIC INSPECTION >

[VQ35DE]

Always drive the vehicle in safe manner according to traffic conditions and obey all traffic laws.



JSBIA1932GB

*1: Depress the accelerator pedal until vehicle speed is 90 km/h (56 MPH), then release the accelerator pedal and keep it released for more than 10 seconds. Depress the accelerator pedal until vehicle speed is 90 km/h (56 MPH) again.

*2: Checking the vehicle speed with GST is advised.

- The time required for each diagnosis varies with road surface conditions, weather, altitude, individual driving habits, etc.
- "Zone A" is the fastest time where required for the diagnosis under normal conditions*. If the diagnosis is not completed within "Zone A", the diagnosis can still be performed within "Zone B".

HOW TO SET SRT CODE

[VQ35DE]

< BASIC INSPECTION >

*: Normal conditions

- Sea level
- Flat road
- Ambient air temperature: 20 – 30°C (68 – 86°F)

NOTE:

Diagnosis is performed as quickly as possible under normal conditions. However, under other conditions, diagnosis may also be performed. [For example: ambient air temperature other than 20 – 30°C (68 – 86°F)]

Work Procedure

INFOID:000000011939716

1.CHECK DTC

Check DTC.

Is any DTC detected?

- YES >> Repair malfunction(s) and erase DTC. Refer to [EC-107, "DTC Index"](#).
- NO >> GO TO 2.

2.CHECK SRT STATUS

With CONSULT

Select "SRT STATUS" in "DTC & SRT CONFIRMATION" mode with CONSULT.

Without CONSULT

Perform "SRT status" mode with [EC-70, "On Board Diagnosis Function"](#).

With GST

Select Service \$01 with GST.

Is SRT code(s) set?

- YES >> GO TO 12.
- NO-1 >> With CONSULT: GO TO 3.
- NO-2 >> Without CONSULT: GO TO 4.

3.DTC CONFIRMATION PROCEDURE

1. Select "SRT WORK SUPPORT" in "DTC & SRT CONFIRMATION" mode with CONSULT.
2. For SRT(s) that is not set, perform the corresponding "DTC CONFIRMATION PROCEDURE" according to the "Performance Priority" in the "SRT ITEM" table. Refer to [EC-170, "Description"](#).
3. Check DTC.

Is any DTC detected?

- YES >> Repair malfunction(s) and erase DTC. Refer to [EC-107, "DTC Index"](#).
- NO >> GO TO 11.

4.PERFORM ROAD TEST

- Check the "Performance Priority" in the "SRT ITEM" table. Refer to [EC-170, "Description"](#).
- Perform the most efficient SRT set driving pattern to set the SRT properly. Refer to [EC-171, "SRT Set Driving Pattern"](#).

In order to set all SRTs, the SRT set driving pattern must be performed at least once.

>> GO TO 5.

5.PATTERN 1

1. Check the vehicle condition;
 - Engine coolant temperature is –10 to 35°C (14 to 95°F).
 - Fuel tank temperature is more than 0°C (32°F).
2. Start the engine.
3. Keep engine idling until the engine coolant temperature is greater than 70°C (158°F)

NOTE:

ECM terminal voltage is follows;

- Engine coolant temperature
 - –10 to 35°C (14 to 95°F): 3.0 – 4.3 V
 - 70°(158°F): Less than 4.1 V
- Fuel tank temperature: Less than 1.4 V

Refer to [EC-86, "Reference Value"](#).

>> GO TO 6.

6.PATTERN 2

1. Drive the vehicle. And depress the accelerator pedal until vehicle speed is 90 km/h (56 MPH), then release the accelerator pedal and keep it released for more than 10 seconds.
2. Depress the accelerator pedal until vehicle speed is 90 km/h (56 MPH) again

NOTE:

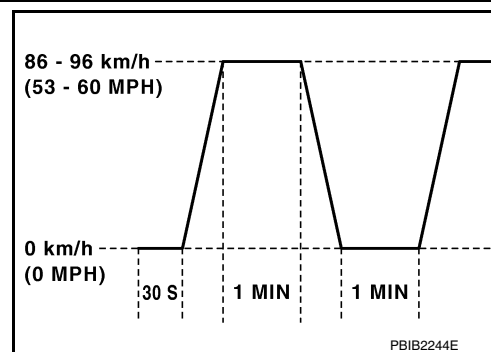
- Checking the vehicle speed with GST is advised.
- When steady-state driving is performed again even after it is interrupted, each diagnosis can be conducted. In this case, the time required for diagnosis may be extended.

>> GO TO 7.

7.PATTERN 3

- Operate vehicle following the driving pattern shown in the figure.
- Release the accelerator pedal during deceleration of vehicle speed from 90 km/h (56 MPH) to 0 km/h (0 MPH).

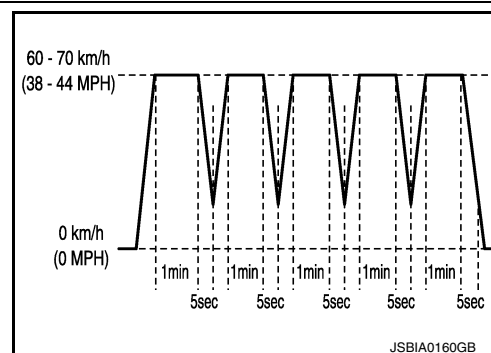
>> GO TO 8.



8.PATTERN 4

- Operate vehicle, following the driving pattern shown in the figure.
- Drive the vehicle in a proper gear at 60 km/h (38 MPH) and maintain the speed.
- Release the accelerator pedal fully at least 5 seconds.
- Repeat the above two steps at least 5 times.

>> GO TO 9.



9.PATTERN 5

- The accelerator pedal must be held very steady during steady-state driving.
- If the accelerator pedal is moved, the test must be conducted again.

>> GO TO 10.

10.PATTERN 6

- Cool down the engine so that the engine coolant temperature lowers between 15 – 35°C (59 – 95°F).
- CAUTION:** Never turn the ignition switch ON while cooling down the engine.
- Engine coolant temperature at engine start is between 15 – 35°C (59 – 95°F) and has lowered 45°C (113°F) or more since the latest engine stop.

>> GO TO 11.

11.CHECK SRT STATUS

With CONSULT

HOW TO SET SRT CODE

[VQ35DE]

< BASIC INSPECTION >

Select "SRT STATUS" in "DTC & SRT CONFIRMATION" mode with CONSULT.

Without CONSULT

Perform "SRT status" mode with [EC-70, "On Board Diagnosis Function"](#).

With GST

Select Service \$01 with GST.

Is SRT(s) set?

YES >> GO TO 12.

NO >> Call TECH LINE or take appropriate action.

12.CHECK PERMANENT DTC

NOTE:

Permanent DTC cannot be checked with a tool other than CONSULT or GST.

With CONSULT

Select "SRT STATUS" in "DTC & SRT CONFIRMATION" mode with CONSULT.

With GST

Select Service \$0A with GST.

Is permanent DTC(s) detected?

YES >> Proceed to [EC-176, "Description"](#).

NO >> END

A

EC

C

D

E

F

G

H

I

J

K

L

M

N

O

P

HOW TO ERASE PERMANENT DTC

< BASIC INSPECTION >

[VQ35DE]

HOW TO ERASE PERMANENT DTC

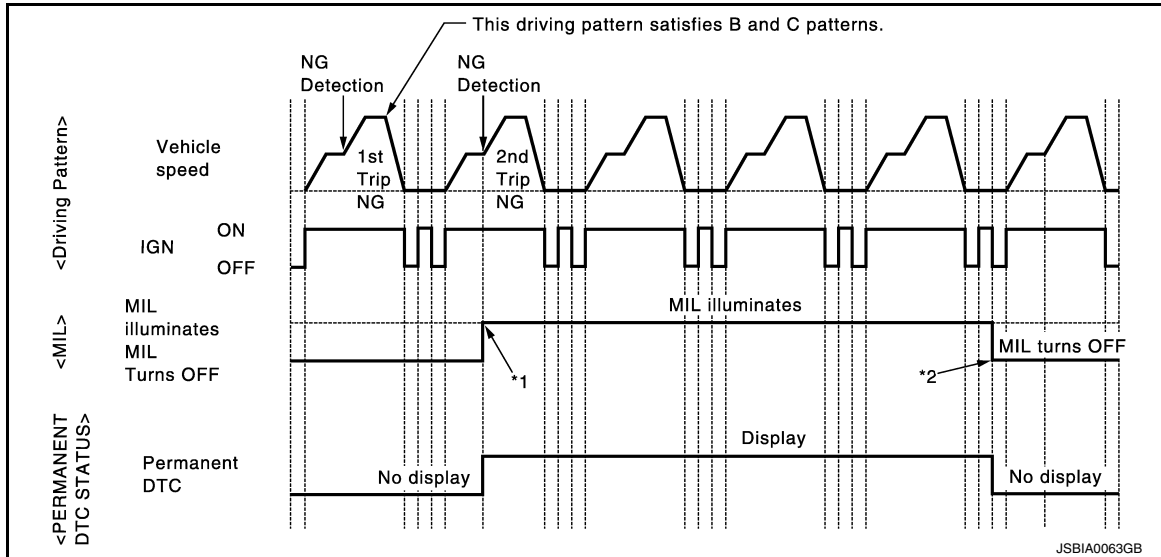
Description

INFOID:000000011939717

OUTLINE

When a DTC is stored in ECM

When a DTC is stored in ECM and MIL is ON, a permanent DTC is erased with MIL shutoff if the same malfunction is not detected after performing the driving pattern for MIL shutoff three times in a row.



*1: When the same malfunction is detected in two consecutive trips, MIL will illuminate.

*2: MIL will turn off after vehicle is driven 3 times (driving pattern B) without any malfunctions.

When a DTC is not stored in ECM

The erasing method depends on a permanent DTC stored in ECM. Refer to the following table.

NOTE:

If the applicable permanent DTC includes multiple groups, perform the procedure of Group B first. If the permanent DTC is not erased, perform the procedure of Group A.

×: Applicable —: Not applicable

Group *	Perform "DTC CONFIRMATION PROCEDURE" for applicable DTCs.	Driving pattern		Reference
		B	D	
A	×	—	—	EC-177. "Work Procedure (Group A)"
B	—	×	×	EC-179. "Work Procedure (Group B)"

*: For group, refer to [EC-107. "DTC Index"](#).

PERMANENT DTC ITEM

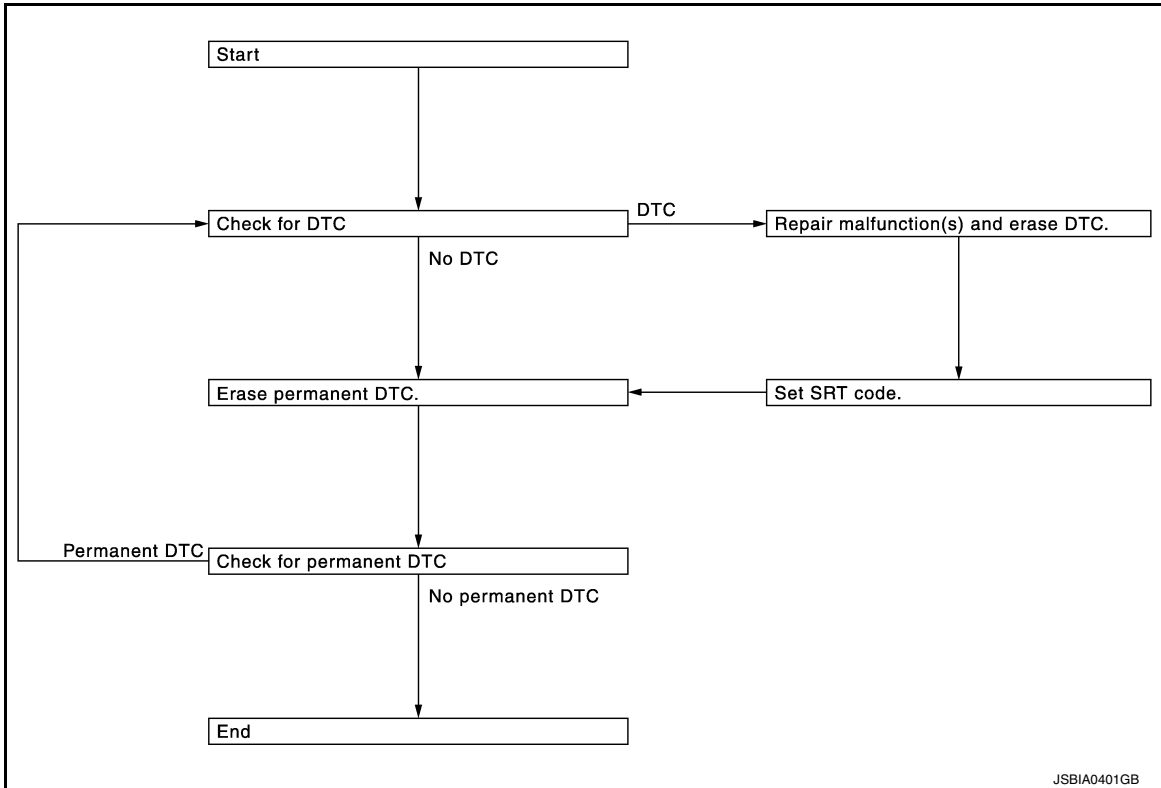
For permanent DTC items, MIL turns ON. Refer to [EC-107. "DTC Index"](#).

HOW TO ERASE PERMANENT DTC

< BASIC INSPECTION >

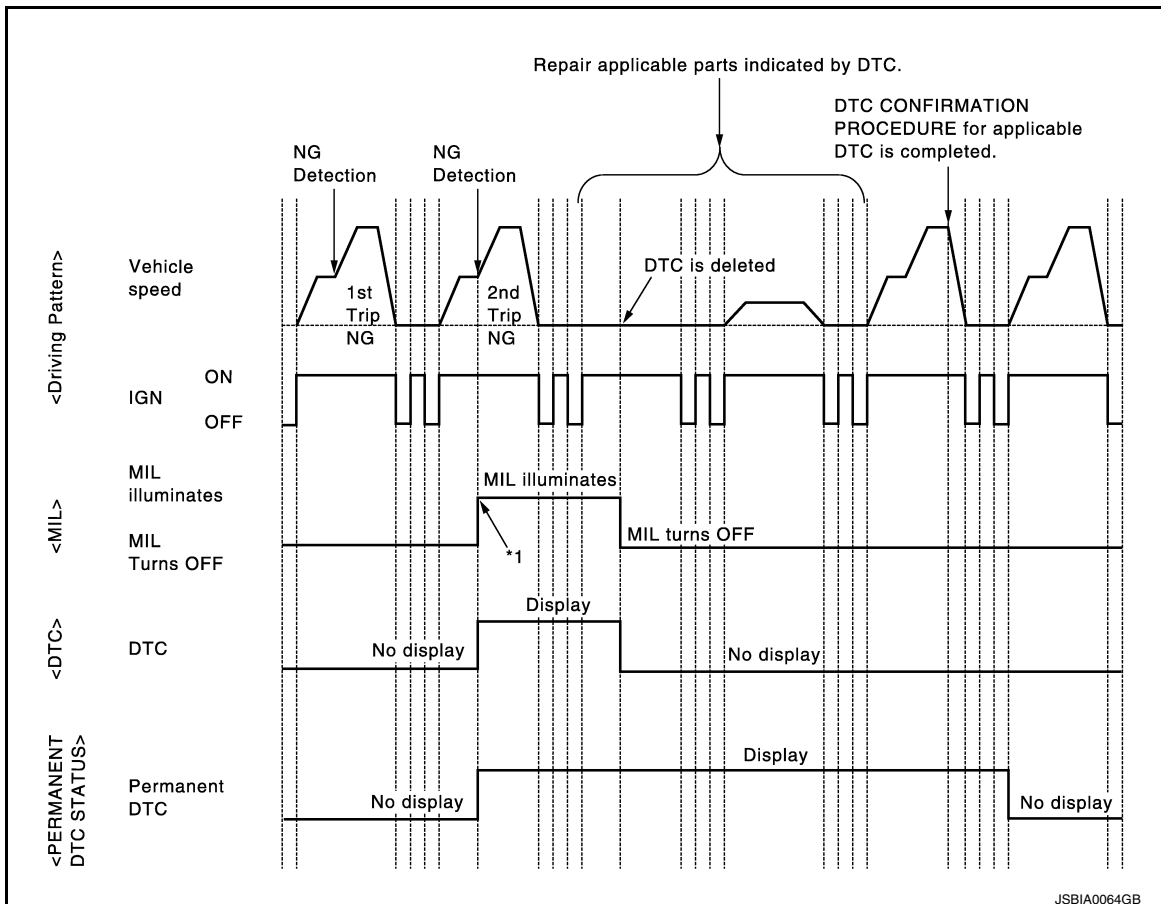
[VQ35DE]

PERMANENT DTC SERVICE PROCEDURE



Work Procedure (Group A)

INFOID:000000011939718



HOW TO ERASE PERMANENT DTC

[VQ35DE]

< BASIC INSPECTION >

*1: When the same malfunction is detected in two consecutive trips, MIL will illuminate.

1. CHECK DTC

Check DTC.

Is any DTC detected?

YES >> Repair malfunction(s) and erase DTC. Refer to [EC-70. "On Board Diagnosis Function"](#) or [EC-73. "CONSULT Function"](#).

NO >> GO TO 2.

2. CHECK PERMANENT DTC

 With CONSULT

1. Turn ignition switch OFF and wait at least 10 seconds.
2. Turn ignition switch ON.
3. Turn ignition switch OFF and wait at least 10 seconds.
4. Turn ignition switch ON.
5. Select "PERMANENT DTC STATUS" mode with CONSULT.

 With GST

1. Turn ignition switch OFF and wait at least 10 seconds.
2. Turn ignition switch ON.
3. Turn ignition switch OFF and wait at least 10 seconds.
4. Turn ignition switch ON.
5. Select Service \$0A with GST.

Is any permanent DTC detected?

YES >> GO TO 3.

NO >> END

3. PERFORM DTC CONFIRMATION PROCEDURE

Perform "DTC CONFIRMATION PROCEDURE" for DTCs which are the same as permanent DTCs stored in ECM. Refer to [EC-107. "DTC Index"](#).

>> GO TO 4.

4. CHECK PERMANENT DTC

 With CONSULT

1. Turn ignition switch OFF and wait at least 10 seconds.
2. Turn ignition switch ON.
3. Turn ignition switch OFF and wait at least 10 seconds.
4. Turn ignition switch ON.
5. Select "PERMANENT DTC STATUS" mode with CONSULT.

 With GST

1. Turn ignition switch OFF and wait at least 10 seconds.
2. Turn ignition switch ON.
3. Turn ignition switch OFF and wait at least 10 seconds.
4. Turn ignition switch ON.
5. Select Service \$0A with GST.

Is any permanent DTC detected?

YES >> GO TO 1.

NO >> END

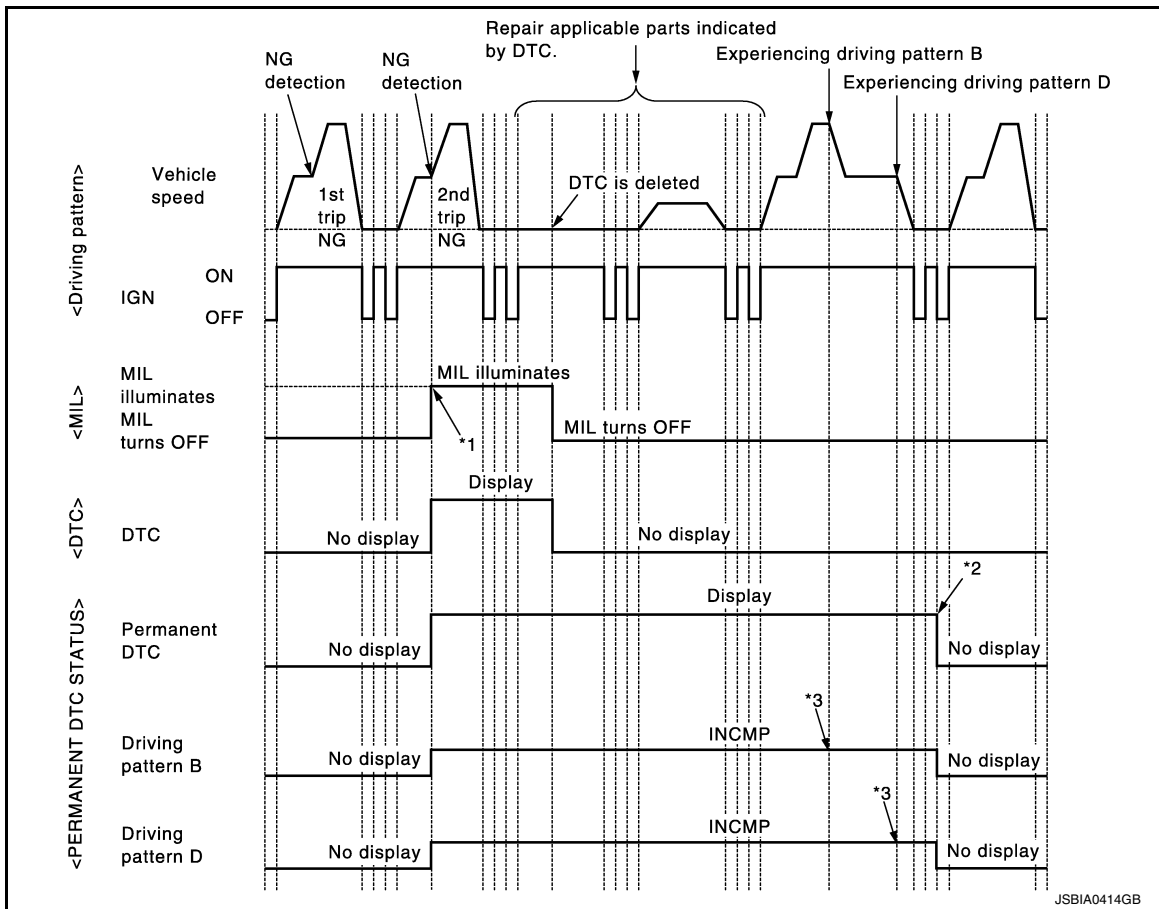
HOW TO ERASE PERMANENT DTC

< BASIC INSPECTION >

[VQ35DE]

Work Procedure (Group B)

INFOID:000000011939719



*1: When the same malfunction is detected in two consecutive trips, MIL will illuminate.

*2: After experiencing driving pattern B and D, permanent DTC is erased.

*3: Indication does not change unless the ignition switch is turned from ON to OFF twice even after experiencing driving pattern B or D.

NOTE:

Drive the vehicle according to only driving patterns indicating "INCMP" in driving patterns B and D on the "PERMANENT DTC STATUS" screen.

1. CHECK DTC

Check DTC.

Is any DTC detected?

YES >> Repair malfunction(s) and erase DTC. Refer to [EC-70. "On Board Diagnosis Function"](#) or [EC-73. "CONSULT Function"](#).

NO >> GO TO 2.

2. CHECK PERMANENT DTC

With CONSULT

1. Turn ignition switch OFF and wait at least 10 seconds.
2. Turn ignition switch ON.
3. Turn ignition switch OFF and wait at least 10 seconds.
4. Turn ignition switch ON.
5. Select "PERMANENT DTC STATUS" mode with CONSULT.

With GST

1. Turn ignition switch OFF and wait at least 10 seconds.
2. Turn ignition switch ON.
3. Turn ignition switch OFF and wait at least 10 seconds.

< BASIC INSPECTION >

4. Turn ignition switch ON.
5. Select Service \$0A with GST.

Is any permanent DTC detected?

- YES >> GO TO 3.
 NO >> END

3.DRIVE DRIVING PATTERN B

CAUTION:

- Always drive at a safe speed.
- Never erase self-diagnosis results.
- If self-diagnosis results are erased during the trip of driving pattern B or D, the counter of driving pattern B and D is reset.

Ⓟ With CONSULT

1. Start engine and warm it up to normal operating temperature.
2. Use "PERMANENT DTC WORK SUPPORT" mode with CONSULT to drive the vehicle according to driving pattern B. Refer to [EC-73. "CONSULT Function"](#), [EC-67. "DIAGNOSIS DESCRIPTION : Driving Pattern"](#).

Ⓢ With GST

1. Start engine and warm it up to normal operating temperature.
2. Drive the vehicle according to driving pattern B. Refer to [EC-67. "DIAGNOSIS DESCRIPTION : Driving Pattern"](#).

>> GO TO 4.

4.CHECK PERMANENT DTC

Ⓟ With CONSULT

1. Turn ignition switch OFF and wait at least 10 seconds.
2. Turn ignition switch ON.
3. Turn ignition switch OFF and wait at least 10 seconds.
4. Turn ignition switch ON.
5. Select "PERMANENT DTC STATUS" mode with CONSULT.

Ⓢ With GST

1. Turn ignition switch OFF and wait at least 10 seconds.
2. Turn ignition switch ON.
3. Turn ignition switch OFF and wait at least 10 seconds.
4. Turn ignition switch ON.
5. Select Service \$0A with GST.

Is any permanent DTC detected?

- YES >> GO TO 5.
 NO >> END

5.DRIVE DRIVING PATTERN D

CAUTION:

- Always drive at a safe speed.
- Never erase self-diagnosis results.
- If self-diagnosis results are erased during the trip of driving pattern B or D, the counter of driving pattern B and D is reset.

1. Drive the vehicle according to driving pattern D. Refer to [EC-67. "DIAGNOSIS DESCRIPTION : Driving Pattern"](#).

>> GO TO 6.

6.CHECK PERMANENT DTC

Ⓟ With CONSULT

1. Turn ignition switch OFF and wait at least 10 seconds.
2. Turn ignition switch ON.
3. Turn ignition switch OFF and wait at least 10 seconds.
4. Turn ignition switch ON.

HOW TO ERASE PERMANENT DTC

[VQ35DE]

< BASIC INSPECTION >

5. Select "PERMANENT DTC STATUS" mode with CONSULT.

 With GST

1. Turn ignition switch OFF and wait at least 10 seconds.
2. Turn ignition switch ON.
3. Turn ignition switch OFF and wait at least 10 seconds.
4. Turn ignition switch ON.
5. Select Service \$0A with GST.

Is any permanent DTC detected?

YES >> GO TO 1.

NO >> END

A

EC

C

D

E

F

G

H

I

J

K

L

M

N

O

P

DTC/CIRCUIT DIAGNOSIS

TROUBLE DIAGNOSIS - SPECIFICATION VALUE

Description

INFOID:0000000011939720

The specification (SP) value indicates the tolerance of the value that is displayed in "SPEC" in "DATA MONITOR" mode of CONSULT during normal operation of the Engine Control System. When the value in "SPEC" in "DATA MONITOR" mode is within the SP value, the Engine Control System is confirmed OK. When the value in "SPEC" in "DATA MONITOR" mode is NOT within the SP value, the Engine Control System may have one or more malfunctions.

The SP value is used to detect malfunctions that may affect the Engine Control System, but will not illuminate the MIL.

The SP value will be displayed for the following three items:

- B/FUEL SCHDL (The fuel injection pulse width programmed into ECM prior to any learned on board correction)
- A/F ALPHA-B1/B2 (The mean value of air-fuel ratio feedback correction factor per cycle)
- MAS AIR FLOW SENSOR (Hz) (The signal frequency of the mass air flow sensor)

Component Function Check

INFOID:0000000011939721

1. START

Check that all of the following conditions are satisfied.

- Vehicle driven distance: More than 5,000 km (3,107 miles)
- Barometric pressure: 98.3 - 104.3 kPa (0.983 - 1.043 bar, 1.003 - 1.064 kg/cm², 14.25 - 15.12 psi)
- Atmospheric temperature: 20 - 30°C (68 - 86°F)
- Engine coolant temperature: 75 - 95°C (167 - 203°F)
- Transmission: Warmed-up
- After the engine is warmed up to normal operating temperature, drive vehicle until "FLUID TEMP SE" (CVT fluid temperature sensor signal) indicates more than 60°C (140°F).
- Electrical load: Not applied
- Rear window defogger switch, air conditioner switch lighting switch are OFF. Steering wheel is straight ahead.
- Engine speed: Idle

>> GO TO 2.

2. PERFORM "SPEC" OF "DATA MONITOR" MODE

With CONSULT

NOTE:

Perform "SPEC" in "DATA MONITOR" mode in maximum scale display.

1. Perform basic inspection. Refer to [EC-164. "Work Procedure"](#).
2. Select "B/FUEL SCHDL", "A/F ALPHA-B1", "A/F ALPHA-B2" and "MAS AIR FLOW SENSOR (Hz)" in "SPEC" of "DATA MONITOR" mode with CONSULT.
3. Check that monitor items are within the SP value.

Is the measurement value within the SP value?

YES >> INSPECTION END

NO >> Proceed to [EC-183. "Diagnosis Procedure"](#).

TROUBLE DIAGNOSIS - SPECIFICATION VALUE

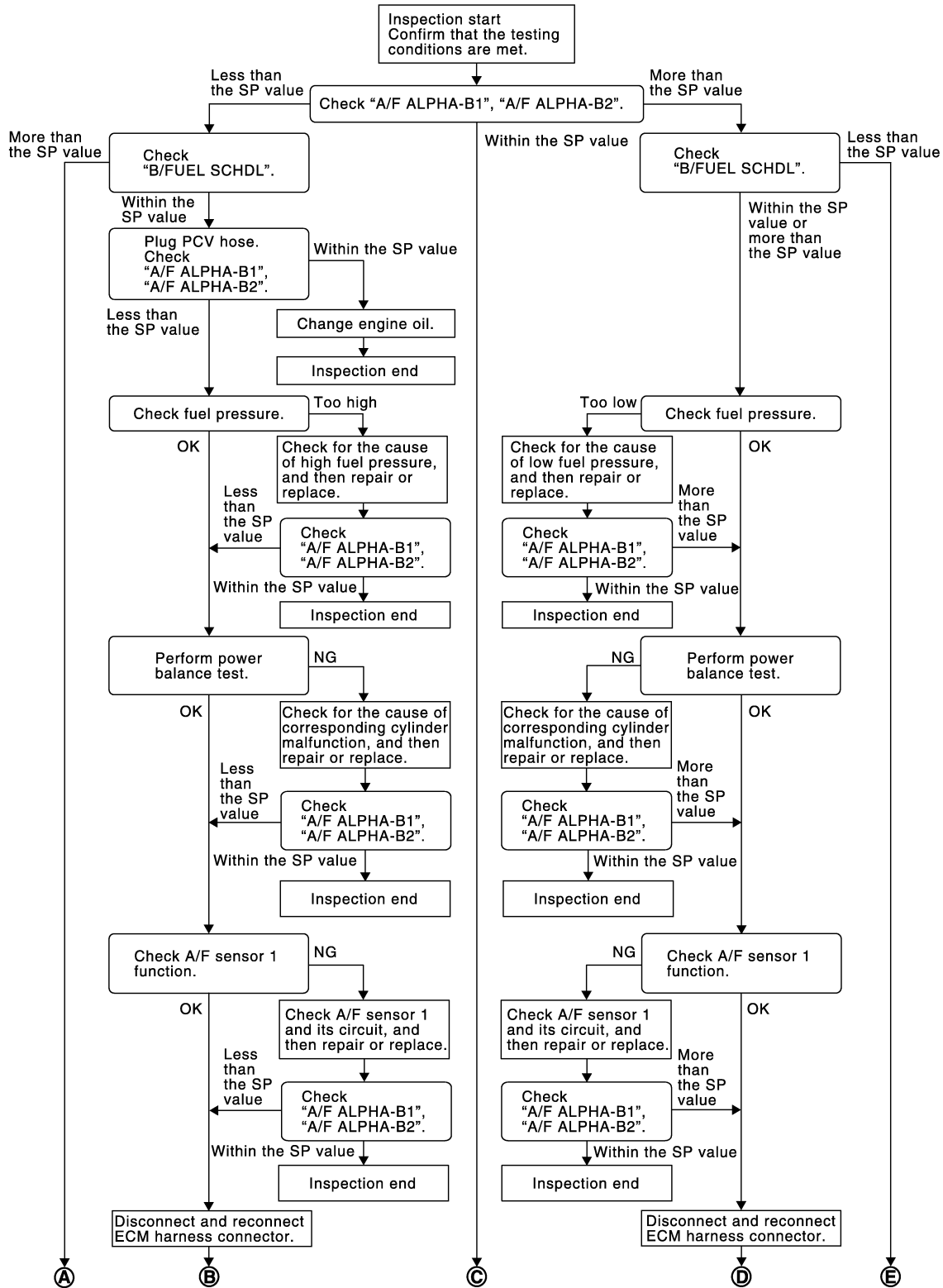
< DTC/CIRCUIT DIAGNOSIS >

[VQ35DE]

Diagnosis Procedure

INFOID:000000011939722

OVERALL SEQUENCE

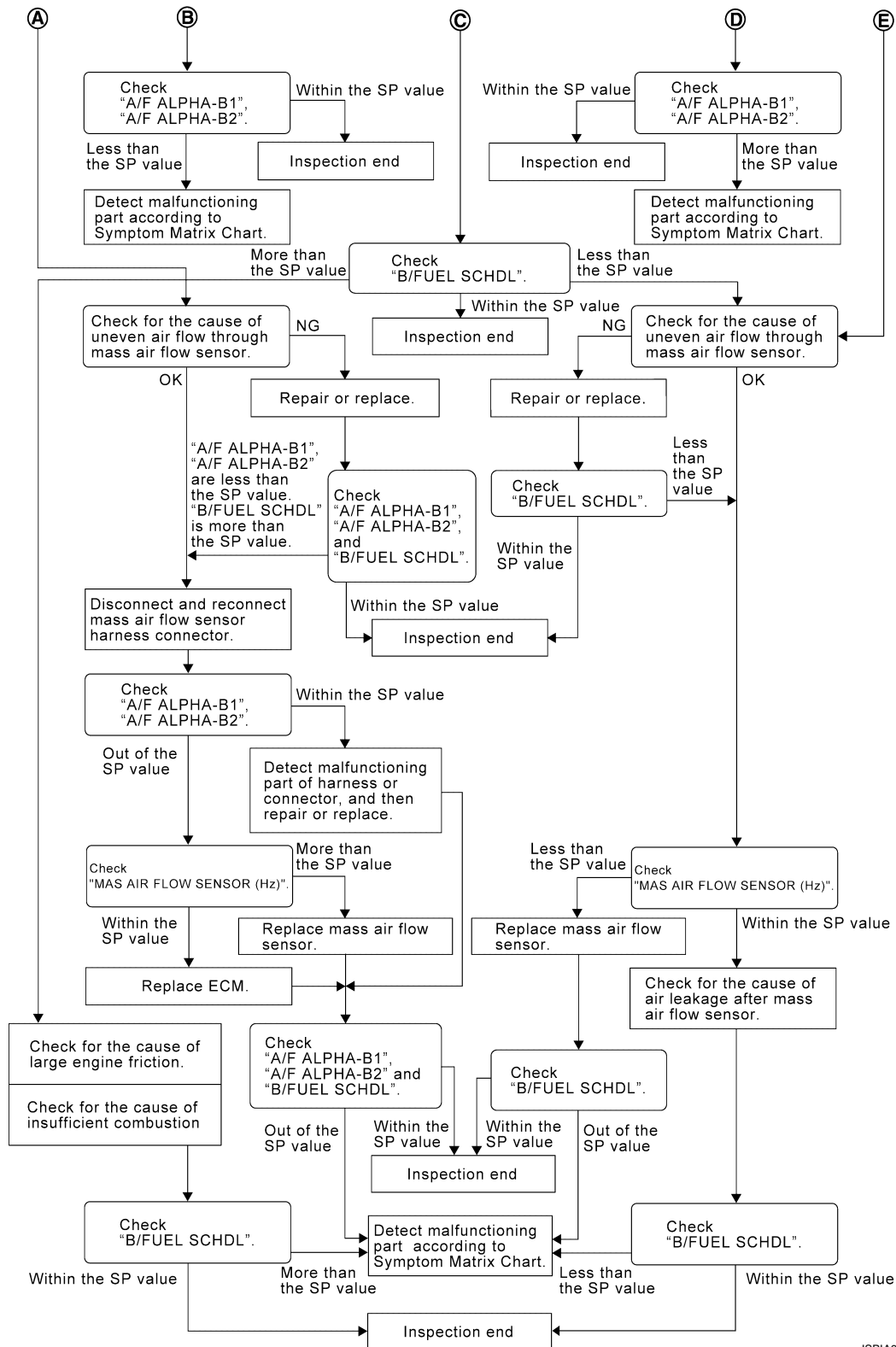


JMBIA1468GB

TROUBLE DIAGNOSIS - SPECIFICATION VALUE

< DTC/CIRCUIT DIAGNOSIS >

[VQ35DE]



JSBIA6656GB

DETAILED PROCEDURE

1. CHECK "A/F ALPHA-B1", "A/F ALPHA-B2"

ⓑ With CONSULT

1. Start engine.
2. Confirm that the testing conditions are met. Refer to [EC-182, "Component Function Check"](#).
3. Select "A/F ALPHA-B1", "A/F ALPHA-B2" in "SPEC" of "DATA MONITOR" mode, and check that each indication is within the SP value.

TROUBLE DIAGNOSIS - SPECIFICATION VALUE

< DTC/CIRCUIT DIAGNOSIS >

[VQ35DE]

NOTE:

Check "A/F ALPHA-B1", "A/F ALPHA-B2" for approximately 1 minute because they may fluctuate. It is NG if the indication is out of the SP value even a little.

Is the measurement value within the SP value?

YES >> GO TO 17.

NO-1 >> Less than the SP value: GO TO 2.

NO-2 >> More than the SP value: GO TO 3.

2.CHECK "B/FUEL SCHDL"

Select "B/FUEL SCHDL" in "SPEC" of "DATA MONITOR" mode, and check that the indication is within the SP value.

Is the measurement value within the SP value?

YES >> GO TO 4.

NO >> More than the SP value: GO TO 19.

3.CHECK "B/FUEL SCHDL"

Select "B/FUEL SCHDL" in "SPEC" of "DATA MONITOR" mode, and check that the indication is within the SP value.

Is the measurement value within the SP value?

YES >> GO TO 6.

NO-1 >> More than the SP value: GO TO 6.

NO-2 >> Less than the SP value: GO TO 25.

4.CHECK "A/F ALPHA-B1", "A/F ALPHA-B2"

1. Stop the engine.

2. Disconnect PCV hose, and then plug it.

3. Start engine.

4. Select "A/F ALPHA-B1", "A/F ALPHA-B2" in "SPEC" of "DATA MONITOR" mode, and check that each indication is within the SP value.

Is the measurement value within the SP value?

YES >> GO TO 5.

NO >> GO TO 6.

5.CHANGE ENGINE OIL

1. Stop the engine.

2. Change engine oil.

NOTE:

This symptom may occur when a large amount of gasoline is mixed with engine oil because of driving conditions (such as when engine oil temperature does not rise enough since a journey distance is too short during winter). The symptom will not be detected after changing engine oil or changing driving conditions.

>> INSPECTION END

6.CHECK FUEL PRESSURE

Check fuel pressure. (Refer to [EC-168, "Work Procedure"](#).)

Is the inspection result normal?

YES >> GO TO 9.

NO-1 >> Fuel pressure is too high: Replace "fuel filter and fuel pump assembly", refer to [FL-5, "Removal and Installation"](#), and then GO TO 8.

NO-2 >> Fuel pressure is too low: GO TO 7.

7.DETECT MALFUNCTIONING PART

Check fuel hoses and fuel tubes for clogging.

Is the inspection result normal?

YES >> Replace "fuel filter and fuel pump assembly", refer to [FL-5, "Removal and Installation"](#), and then GO TO 8.

NO >> Repair or replace malfunctioning part and then GO TO 8.

TROUBLE DIAGNOSIS - SPECIFICATION VALUE

[VQ35DE]

< DTC/CIRCUIT DIAGNOSIS >

8. CHECK "A/F ALPHA-B1", "A/F ALPHA-B2"

1. Start engine.
2. Select "A/F ALPHA-B1", "A/F ALPHA-B2" in "SPEC" of "DATA MONITOR" mode, and check that each indication is within the SP value.

Is the measurement value within the SP value?

- YES >> INSPECTION END
NO >> GO TO 9.

9. PERFORM POWER BALANCE TEST

1. Perform "POWER BALANCE" in "ACTIVE TEST" mode.
2. Check that the each cylinder produces a momentary engine speed drop.

Is the inspection result normal?

- YES >> GO TO 12.
NO >> GO TO 10.

10. DETECT MALFUNCTIONING PART

Check the following below.

- Ignition coil and its circuit (Refer to [EC-555, "Component Function Check"](#).)
- Fuel injector and its circuit (Refer to [EC-550, "Component Function Check"](#).)
- Intake air leakage
- Low compression pressure (Refer to [EM-24, "On-Vehicle Service"](#).)

Is the inspection result normal?

- YES >> Replace fuel injector, refer to [EM-46, "Removal and Installation"](#), and then GO TO 11.
NO >> Repair or replace malfunctioning part and then GO TO 11.

11. CHECK "A/F ALPHA-B1", "A/F ALPHA-B2"

1. Start engine.
2. Select "A/F ALPHA-B1", "A/F ALPHA-B2" in "SPEC" of "DATA MONITOR" mode, and check that each indication is within the SP value.

Is the measurement value within the SP value?

- YES >> INSPECTION END
NO >> GO TO 12.

12. CHECK A/F SENSOR 1 FUNCTION

Perform all DTC CONFIRMATION PROCEDURE related with A/F sensor 1.

- For DTC P0130, P0150, refer to [EC-252, "DTC Description"](#).
- For DTC P0131, P0151, refer to [EC-256, "DTC Description"](#).
- For DTC P0132, P0152, refer to [EC-259, "DTC Description"](#).
- For DTC P014C, P014D, P014E, P014F, P015A, P015B, P015C, P015D, refer to [EC-282, "DTC Description"](#).
- For DTC P2096, P2097, P2098, P2099, refer to [EC-497, "DTC Description"](#).

Are any DTCs detected?

- YES >> GO TO 15.
NO >> GO TO 13.

13. CHECK A/F SENSOR 1 CIRCUIT

Perform Diagnostic Procedure according to corresponding DTC.

>> GO TO 14.

14. CHECK "A/F ALPHA-B1", "A/F ALPHA-B2"

1. Start engine.
2. Select "A/F ALPHA-B1", "A/F ALPHA-B2" in "SPEC" of "DATA MONITOR" mode, and check that each indication is within the SP value.

Is the measurement value within the SP value?

- YES >> INSPECTION END
NO >> GO TO 15.

TROUBLE DIAGNOSIS - SPECIFICATION VALUE

< DTC/CIRCUIT DIAGNOSIS >

[VQ35DE]

15. DISCONNECT AND RECONNECT ECM HARNESS CONNECTOR

1. Stop the engine.
2. Disconnect ECM harness connector. Check pin terminal and connector for damage, and then reconnect it.

>> GO TO 16.

16. CHECK "A/F ALPHA-B1", "A/F ALPHA-B2"

1. Start engine.
2. Select "A/F ALPHA-B1", "A/F ALPHA-B2" in "SPEC" of "DATA MONITOR" mode, and check that each indication is within the SP value.

Is the measurement value within the SP value?

YES >> INSPECTION END

NO >> Detect malfunctioning part according to [EC-575. "Symptom Table"](#).

17. CHECK "B/FUEL SCHDL"

Select "B/FUEL SCHDL" in "SPEC" of "DATA MONITOR" mode, and check that the indication is within the SP value.

Is the measurement value within the SP value?

YES >> INSPECTION END

NO-1 >> More than the SP value: GO TO 18.

NO-2 >> Less than the SP value: GO TO 25.

18. DETECT MALFUNCTIONING PART

1. Check for the cause of large engine friction. Refer to the following.
 - Engine oil level is too high
 - Engine oil viscosity
 - Belt tension of power steering, alternator, A/C compressor, etc. is excessive
 - Noise from engine
 - Noise from transmission, etc.
2. Check for the cause of insufficient combustion. Refer to the following.
 - Valve clearance malfunction
 - Intake valve timing control function malfunction
 - Camshaft sprocket installation malfunction, etc.

>> Repair or replace malfunctioning part, and then GO TO 30.

19. CHECK INTAKE SYSTEM

Check for the cause of uneven air flow through mass air flow sensor. Refer to the following.

- Crushed air ducts
- Malfunctioning seal of air cleaner element
- Uneven dirt of air cleaner element
- Improper specification of intake air system

Is the inspection result normal?

YES >> GO TO 21.

NO >> Repair or replace malfunctioning part, and then GO TO 20.

20. CHECK "A/F ALPHA-B1", "A/F ALPHA-B2", AND "B/FUEL SCHDL"

Select "A/F ALPHA-B1", "A/F ALPHA-B2", and "B/FUEL SCHDL" in "SPEC" of "DATA MONITOR" mode, and check that each indication is within the SP value.

Is the measurement value within the SP value?

YES >> INSPECTION END

NO >> "B/FUEL SCHDL" is more, "A/F ALPHA-B1", "A/F ALPHA-B2" are less than the SP value: GO TO 21.

21. DISCONNECT AND RECONNECT MASS AIR FLOW SENSOR HARNESS CONNECTOR

1. Stop the engine.

TROUBLE DIAGNOSIS - SPECIFICATION VALUE

[VQ35DE]

< DTC/CIRCUIT DIAGNOSIS >

2. Disconnect mass air flow sensor harness connector. Check pin terminal and connector for damage and then reconnect it again.

>> GO TO 22.

22.CHECK "A/F ALPHA-B1", "A/F ALPHA-B2"

1. Start engine.
2. Select "A/F ALPHA-B1", "A/F ALPHA-B2" in "SPEC" of "DATA MONITOR" mode, and check that each indication is within the SP value.

Is the measurement value within the SP value?

YES >> Detect malfunctioning part of mass air flow sensor circuit and repair it. Refer to [EC-227. "Diagnosis Procedure"](#). Then GO TO 29.

NO >> GO TO 23.

23.CHECK "MAS AIR FLOW SENSOR (HZ)"

Select "MAS AIR FLOW SENSOR (Hz)" in "SPEC" of "DATA MONITOR" mode, and check that the indication is within the SP value.

Is the measurement value within the SP value?

YES >> GO TO 24.

NO >> More than the SP value: Replace mass air flow sensor, refer to [EM-26. "Removal and Installation"](#), and then GO TO 29.

24.REPLACE ECM

Replace ECM. Refer to [EC-586. "Removal and Installation"](#).

>> GO TO 29.

25.CHECK INTAKE SYSTEM

Check for the cause of uneven air flow through mass air flow sensor. Refer to the following.

- Crushed air ducts
- Malfunctioning seal in air cleaner element
- Uneven dirt in air cleaner element
- Improper specification in intake air system

Is the inspection result normal?

YES >> GO TO 27.

NO >> Repair or replace malfunctioning part, and then GO TO 26.

26.CHECK "B/FUEL SCHDL"

Select "B/FUEL SCHDL" in "SPEC" of "DATA MONITOR" mode, and check that the indication is within the SP value.

Is the measurement value within the SP value?

YES >> INSPECTION END

NO >> Less than the SP value: GO TO 27.

27.CHECK "MAS AIR FLOW SENSOR (HZ)"

Select "MAS AIR FLOW SENSOR (Hz)" in "SPEC" of "DATA MONITOR" mode, and check that the indication is within the SP value.

Is the measurement value within the SP value?

YES >> GO TO 28.

NO >> Less than the SP value: Replace mass air flow sensor, refer to [EM-26. "Removal and Installation"](#), and then GO TO 30.

28.CHECK INTAKE SYSTEM

Check for the cause of air leakage after the mass air flow sensor. Refer to the following.

- Disconnection, looseness, and cracks in air duct
- Looseness of oil filler cap
- Disconnection of oil level gauge
- Open stuck, breakage, hose disconnection, or cracks in PCV valve

TROUBLE DIAGNOSIS - SPECIFICATION VALUE

[VQ35DE]

< DTC/CIRCUIT DIAGNOSIS >

- Disconnection or cracks in EVAP purge hose, stuck open EVAP canister purge volume control solenoid valve
- Malfunctioning seal in rocker cover gasket
- Disconnection, looseness, or cracks in hoses, such as a vacuum hose, connecting to intake air system parts
- Malfunctioning seal in intake air system, etc.

>> GO TO 30.

29.CHECK "A/F ALPHA-B1", "A/F ALPHA-B2", AND "B/FUEL SCHDL"

Select "A/F ALPHA-B1", "A/F ALPHA-B2", and "B/FUEL SCHDL" in "SPEC" of "DATA MONITOR" mode, and check that each indication is within the SP value.

Is the measurement value within the SP value?

YES >> INSPECTION END

NO >> Detect malfunctioning part according to [EC-575. "Symptom Table"](#).

30.CHECK "B/FUEL SCHDL"

Select "B/FUEL SCHDL" in "SPEC" of "DATA MONITOR" mode, and then check that the indication is within the SP value.

Is the measurement value within the SP value?

YES >> INSPECTION END

NO >> Detect malfunctioning part according to [EC-575. "Symptom Table"](#).

POWER SUPPLY AND GROUND CIRCUIT

< DTC/CIRCUIT DIAGNOSIS >

[VQ35DE]

POWER SUPPLY AND GROUND CIRCUIT

Diagnosis Procedure

INFOID:000000011939723

1.CHECK FUSE

Check that there is no blowout in the following fuses.

Location	Fuse No.	Capacity
IPDM E/R	#39	10 A
	#42	10 A
	#56	10 A

Is the fuse fusing?

YES >> Replace the fuse after repairing the applicable circuit.

NO >> GO TO 2.

2.CHECK GROUND CONNECTION

1. Turn ignition switch OFF.
2. Check ground connection E9. Refer to [PG-70, "Harness Layout"](#).

Is the inspection result normal?

YES >> GO TO 3.

NO >> Repair or replace ground connection.

3.CHECK ECM GROUND CIRCUIT

1. Disconnect ECM harness connectors.
2. Check the continuity between ECM harness connector and ground.

+		-	Continuity
ECM			
Connector	Terminal		
E10	147	Ground	Existed
	149		
	152		
F13	10		
	55		
F14	105		
	110		

Is the inspection result normal?

YES >> GO TO 4.

NO >> Repair or replace error-detected parts.

4.CHECK ECM POWER SUPPLY (MAIN)-I

1. Reconnect ECM harness connector.
2. Turn ignition switch ON.
3. Check the voltage between ECM harness connector terminals.

ECM			Voltage
Connector	+	-	
	Terminal		
E10	145	152	Battery voltage

Is the inspection result normal?

YES >> GO TO 6.

POWER SUPPLY AND GROUND CIRCUIT

[VQ35DE]

< DTC/CIRCUIT DIAGNOSIS >

NO >> GO TO 5.

5. CHECK ECM POWER SUPPLY (MAIN) CIRCUIT

1. Turn ignition switch OFF.
2. Disconnect ECM harness connectors.
3. Disconnect IPDM E/R harness connector.
4. Check the continuity between ECM harness connector and IPDM E/R harness connector.

+		-		Continuity
ECM		IPDM E/R		
Connector	Terminal	Connector	Terminal	
E10	145	F50	59	Existed

5. Also check harness for short to ground.

Is the inspection result normal?

YES >> Perform the trouble diagnosis for power supply circuit.

NO >> Repair or replace error-detected parts.

6. CHECK ECM POWER SUPPLY (MAIN)-II

1. Turn ignition switch OFF and wait at least 10 seconds.
2. Check the voltage between ECM harness connector terminals as per the following.

Connector	ECM		Condition	Voltage (Approx.)
	+	-		
	Terminal			
E10	145	152	After turning ignition switch OFF, battery voltage will exist for a few seconds	Drop to 0 V

Is the inspection result normal?

YES >> GO TO 9.

NO >> GO TO 7.

7. CHECK ECM RELAY CONTROL SIGNAL

Check the voltage between ECM harness connector terminals as per the following.

ECM				Condition	Voltage (Approx.)
+		-			
Connector	Terminal	Connector	Terminal		
F14	86	E10	152	Ignition switch ON	0 V
				Turn ignition switch OFF and wait at least 10 seconds.	Battery voltage

Is the inspection result normal?

YES >> Check intermittent incident. Refer to [GI-41. "Intermittent Incident"](#).

NO >> GO TO 8.

8. CHECK ECM RELAY CONTROL SIGNAL CIRCUIT

1. Turn ignition switch OFF.
2. Disconnect ECM harness connector.
3. Disconnect IPDM E/R harness connector.
4. Check the continuity between ECM harness connector and IPDM E/R harness connector.

+		-		Continuity
ECM		IPDM E/R		
Connector	Terminal	Connector	Terminal	
F14	86	F51	72	Existed

5. Also check harness for short to ground and to power.

POWER SUPPLY AND GROUND CIRCUIT

[VQ35DE]

< DTC/CIRCUIT DIAGNOSIS >

Is the inspection result normal?

YES >> Replace IPDM E/R. Refer to [PCS-36, "Removal and Installation"](#).

NO >> Repair or replace error-detected parts.

9. CHECK IGNITION SWITCH SIGNAL

1. Turn ignition switch ON.
2. Check the voltage between ECM harness connector terminals.

ECM			Condition	Voltage (Approx.)
Connector	+	-		
	Terminal			
E10	133	152	Ignition switch OFF	0 V
			Ignition switch ON	Battery voltage

Is the inspection result normal?

YES >> GO TO 11.

NO >> GO TO 10.

10. CHECK IGNITION SWITCH SIGNAL CIRCUIT

1. Turn ignition switch OFF.
2. Disconnect ECM harness connector.
3. Disconnect IPDM E/R harness connector.
4. Check the continuity between ECM harness connector and IPDM E/R harness connector.

+		-		Continuity
ECM		IPDM E/R		
Connector	Terminal	Connector	Terminal	
E10	133	E19	21	Existed

5. Also check harness for short to ground and to power.

Is the inspection result normal?

YES >> Perform the trouble diagnosis for power supply circuit.

NO >> Repair or replace error-detected parts.

11. CHECK ECM POWER SUPPLY (BACK-UP)

Check the voltage between ECM harness connector terminals.

ECM				Voltage
+		-		
Connector	Terminal	Connector	Terminal	
F14	116	E10	152	Battery voltage

Is the inspection result normal?

YES >> Check intermittent incident. Refer to [GI-41, "Intermittent Incident"](#).

NO >> GO TO 12.

12. CHECK ECM POWER SUPPLY (BACK-UP) CIRCUIT

1. Turn ignition switch OFF.
2. Disconnect ECM harness connector.
3. Disconnect IPDM E/R harness connector.
4. Check the continuity between ECM harness connector and IPDM E/R harness connector.

POWER SUPPLY AND GROUND CIRCUIT

< DTC/CIRCUIT DIAGNOSIS >

[VQ35DE]

+		-		Continuity
ECM		IPDM E/R		
Connector	Terminal	Connector	Terminal	
F14	116	F50	58	Existed

5. Also check harness for short to ground.

Is the inspection result normal?

- YES >> Perform the trouble diagnosis for power supply circuit.
- NO >> Repair or replace error-detected parts.

A

EC

C

D

E

F

G

H

I

J

K

L

M

N

O

P

U0101 CAN COMM CIRCUIT

< DTC/CIRCUIT DIAGNOSIS >

[VQ35DE]

U0101 CAN COMM CIRCUIT

Description

INFOID:000000011939724

CAN (Controller Area Network) is a serial communication line for real time application. It is an on-vehicle multiplex communication line with high data communication speed and excellent error detection ability. Many electronic control units are equipped onto a vehicle, and each control unit shares information and links with other control units during operation (not independent). In CAN communication, control units are connected with 2 communication lines (CAN H line, CAN L line) allowing a high rate of information transmission with less wiring. Each control unit transmits/receives data but selectively reads required data only.

DTC Description

INFOID:000000011939725

DTC DETECTION LOGIC

When ECM is not transmitting or receiving CAN communication signal of OBD (emission-related diagnosis) with TCM for 2 seconds or more.

DTC	CONSULT screen terms (Trouble diagnosis content)	DTC detection condition	
U0101	LOST COMM (TCM) (Lost Communication with TCM)	Diagnosis condition	Ignition switch ON
		Signal (terminal)	CAN communication signal
		Threshold	ECM is not transmitting or receiving CAN communication signal of OBD (emission-related diagnosis) with TCM.
		Diagnosis delay time	2 seconds or more

POSSIBLE CAUSE

- CAN communication line between TCM and ECM
- CAN communication line open or shorted

FAIL-SAFE

Engine operating condition in fail-safe mode	
Fail safe mode	Vehicle behavior
CAN communication line	ECM operates active grille shutter to fully-open position.

DTC CONFIRMATION PROCEDURE

1. PERFORM DTC CONFIRMATION PROCEDURE

1. Turn ignition switch ON and wait at least 3 seconds.
2. Check DTC.

Is DTC detected?

- YES >> Proceed to [EC-194, "Diagnosis Procedure"](#).
- NO-1 >> To check malfunction symptom before repair: Refer to [GI-41, "Intermittent Incident"](#).
- NO-2 >> Confirmation after repair: INSPECTION END

Diagnosis Procedure

INFOID:000000011939726

Perform the trouble diagnosis for CAN communication system. Refer to [LAN-17, "Trouble Diagnosis Flow Chart"](#).

U1000 CAN COMM CIRCUIT

< DTC/CIRCUIT DIAGNOSIS >

[VQ35DE]

U1000 CAN COMM CIRCUIT

Description

INFOID:0000000011939730

CAN (Controller Area Network) is a serial communication line for real time application. It is an on-vehicle multiplex communication line with high data communication speed and excellent error detection ability. Many electronic control units are equipped onto a vehicle, and each control unit shares information and links with other control units during operation (not independent). In CAN communication, control units are connected with 2 communication lines (CAN H line, CAN L line) allowing a high rate of information transmission with less wiring. Each control unit transmits/receives data but selectively reads required data only.

DTC Description

INFOID:0000000011939731

DTC DETECTION LOGIC

When ECM is not transmitting or receiving CAN communication signal of OBD (emission related diagnosis) for 2 seconds or more.

DTC	CONSULT screen terms (Trouble diagnosis content)	DTC detection condition	
U1000	CAN COMM CIRCUIT (CAN COMM CIRCUIT)	Diagnosis condition	Ignition switch ON
		Signal (terminal)	CAN communication signal
		Threshold	ECM is not transmitting or receiving CAN communication signal of OBD (emission related diagnosis)
		Diagnosis delay time	2 seconds or more

POSSIBLE CAUSE

Harness and connectors (CAN communication line is open or shorted)

FAIL-SAFE

Not applicable

DTC CONFIRMATION PROCEDURE

1. PERFORM DTC CONFIRMATION PROCEDURE

1. Turn ignition switch ON and wait at least 3 seconds.
2. Check DTC.

Is DTC detected?

- YES >> Proceed to [EC-195, "Diagnosis Procedure"](#).
- NO-1 >> To check malfunction symptom before repair: Refer to [GI-41, "Intermittent Incident"](#).
- NO-2 >> Confirmation after repair: INSPECTION END

Diagnosis Procedure

INFOID:0000000011939732

Perform the trouble diagnosis for CAN communication system. Refer to [LAN-17, "Trouble Diagnosis Flow Chart"](#).

U1001 CAN COMM CIRCUIT

< DTC/CIRCUIT DIAGNOSIS >

[VQ35DE]

U1001 CAN COMM CIRCUIT

Description

INFOID:000000012444539

CAN (Controller Area Network) is a serial communication line for real time application. It is an on-vehicle multiplex communication line with high data communication speed and excellent error detection ability. Many electronic control units are equipped onto a vehicle, and each control unit shares information and links with other control units during operation (not independent). In CAN communication, control units are connected with 2 communication lines (CAN H line, CAN L line) allowing a high rate of information transmission with less wiring. Each control unit transmits/receives data but selectively reads required data only.

DTC Description

INFOID:000000012444540

DTC DETECTION LOGIC

DTC	CONSULT screen terms (Trouble diagnosis content)	DTC detection condition	
U1001	CAN COMM CIRCUIT (CAN COMM CIRCUIT)	Diagnosis condition	Ignition switch ON
		Signal (terminal)	CAN communication signal
		Threshold	ECM is not receiving CAN communication signal from ADAS control unit
		Diagnosis delay time	2 seconds or more

POSSIBLE CAUSE

Harness and connectors (CAN communication line is open or shorted)

FAIL-SAFE

Not applicable

DTC CONFIRMATION PROCEDURE

1. PERFORM DTC CONFIRMATION PROCEDURE

1. Turn ignition switch ON and wait at least 3 seconds.
2. Check DTC.

Is DTC detected?

- YES >> Proceed to [EC-196, "Diagnosis Procedure"](#).
- NO-1 >> To check malfunction symptom before repair: Refer to [GI-41, "Intermittent Incident"](#).
- NO-2 >> Confirmation after repair: INSPECTION END

Diagnosis Procedure

INFOID:000000012444541

Perform the trouble diagnosis for CAN communication system. Refer to [LAN-17, "Trouble Diagnosis Flow Chart"](#).

P0011, P0021 IVT CONTROL

< DTC/CIRCUIT DIAGNOSIS >

[VQ35DE]

P0011, P0021 IVT CONTROL

DTC Description

INFOID:0000000011939737

DTC DETECTION LOGIC

There is a gap between angle of target and phase-control angle degree.

DTC	CONSULT screen terms (Trouble diagnosis content)	DTC detection condition	
P0011	INT/V TIM CONT-B1 ("A" Camshaft Position - Timing Over-Advanced or System Performance bank 1)	Diagnosis condition	—
		Signal (terminal)	—
		Threshold	There is a gap between angle of target and phase-control angle degree
		Diagnosis delay time	—
P0021	INT/V TIM CONT-B2 ("B" Camshaft Position - Timing Over-Advanced or System Performance bank 2)	Diagnosis condition	—
		Signal (terminal)	—
		Threshold	There is a gap between angle of target and phase-control angle degree
		Diagnosis delay time	—

POSSIBLE CAUSE

- Crankshaft position sensor (POS)
- Camshaft position sensor (PHASE)
- Intake valve timing control solenoid valve
- Accumulation of debris to the signal pick-up portion of the camshaft
- Timing chain installation
- Foreign matter caught in the oil groove for intake valve timing control

FAIL-SAFE

Engine operating condition in fail-safe mode	
Fail safe mode	Vehicle behavior
Intake valve timing control	<ul style="list-style-type: none"> • The signal is not energized to the intake valve timing control solenoid valve and the valve control does not function. • ECM activates the IVT intermediate lock control solenoid valve to bring the cam sprocket into an intermediate lock condition.

DTC CONFIRMATION PROCEDURE

1. CHECK DTC PRIORITY

If DTC P0011 or P0021 is displayed with DTC P0075 or P0081, first perform the trouble diagnosis for DTC P0075 or P0081.

Is applicable DTC detected?

- YES >> Perform diagnosis of applicable.
- DTC P0075: Refer to [EC-213, "DTC Description"](#).
 - DTC P0081: Refer to [EC-213, "DTC Description"](#).
- NO >> GO TO 2.

2. PRECONDITIONING

If DTC Confirmation Procedure has been previously conducted, always perform the following before conducting the next test.

1. Turn ignition switch OFF and wait at least 10 seconds.
2. Turn ignition switch ON.
3. Turn ignition switch OFF and wait at least 10 seconds.

TESTING CONDITION:

Before performing the following procedure, confirm that battery voltage is between 10 V and 16 V at idle.

>> GO TO 3.

3. PERFORM DTC CONFIRMATION PROCEDURE-I

With CONSULT

1. Turn ignition switch ON and select "DATA MONITOR" mode with CONSULT.
2. Start engine and warm it up to the normal operating temperature.
3. Maintain the following conditions for at least 6 consecutive seconds. Hold the accelerator pedal as steady as possible.

ENG SPEED	1,200 - 2,000 rpm
COOLANT TEMP/S	More than 60°C (140°F)
B/FUEL SCHDL	More than 6.0 msec
Selector lever	D position

CAUTION:

Always drive at a safe speed.

4. Stop vehicle with engine running and let engine idle for 10 seconds.
5. Check 1st trip DTC.

With GST

Follow the procedure "With CONSULT" above.

Is 1st trip DTC detected?

- YES >> Proceed to [EC-198. "Diagnosis Procedure"](#)
 NO >> GO TO 4.

4. PERFORM DTC CONFIRMATION PROCEDURE-II

With CONSULT

1. Maintain the following conditions for at least 20 consecutive seconds.

ENG SPEED	1,200 - 3,175 rpm (A constant rotation is maintained.)
COOLANT TEMP/S	More than 60°C (140°F)
Selector lever	1st or 2nd position
Driving location uphill	Driving vehicle uphill (Increased engine load will help maintain the driving conditions required for this test.)

CAUTION:

Always drive at a safe speed.

2. Check 1st trip DTC.

With GST

Follow the procedure "With CONSULT" above.

Is 1st trip DTC detected?

- YES >> Proceed to [EC-198. "Diagnosis Procedure"](#)
 NO-1 >> To check malfunction symptom before repair: Refer to [GI-41. "Intermittent Incident"](#).
 NO-2 >> Confirmation after repair: INSPECTION END

Diagnosis Procedure

INFOID:000000011939738

1. CHECK DTC PRIORITY

If DTC P0011 or P0021 is displayed with DTC P0075 or P0081, first perform the trouble diagnosis for DTC P0075 or P0081.

Is applicable DTC detected?

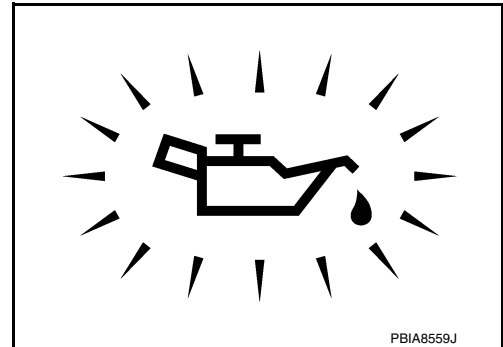
- YES >> Perform diagnosis of applicable.
 • DTC P0075: Refer to [EC-213. "DTC Description"](#).
 • DTC P0081: Refer to [EC-213. "DTC Description"](#).
 NO >> GO TO 2.

2. CHECK OIL PRESSURE WARNING LAMP

1. Start engine.
2. Check oil pressure warning lamp and confirm it is not illuminated.

Is oil pressure warning lamp illuminated?

- YES >> Check the engine oil level. Refer to [LU-8, "Inspection"](#).
 NO >> GO TO 3.



3. CHECK INTAKE VALVE TIMING CONTROL SOLENOID VALVE

Check intake valve timing control solenoid valve. Refer to [EC-200, "Component Inspection"](#).

Is the inspection result normal?

- YES >> GO TO 4.
 NO >> Replace malfunctioning intake valve timing control solenoid valve. Refer to [EM-55, "Exploded View"](#).

4. CHECK CRANKSHAFT POSITION SENSOR (POS)

Check crankshaft position sensor (POS). Refer to [EC-328, "Component Inspection"](#).

Is the inspection result normal?

- YES >> GO TO 5.
 NO >> Replace crankshaft position sensor (POS). Refer to [EM-39, "Exploded View"](#).

5. CHECK CAMSHAFT POSITION SENSOR (PHASE)

Check camshaft position sensor (PHASE). Refer to [EC-334, "Component Inspection"](#).

Is the inspection result normal?

- YES >> GO TO 6.
 NO >> Replace malfunctioning camshaft position sensor (PHASE). Refer to [EM-51, "Exploded View"](#).

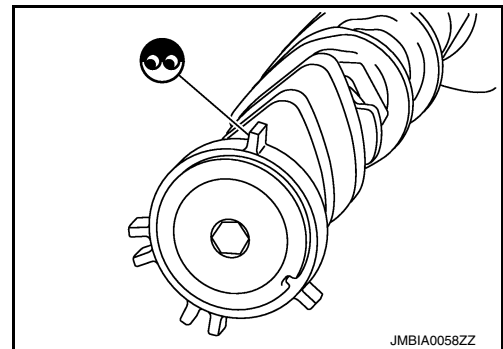
6. CHECK CAMSHAFT (INTAKE)

Check the following.

- Accumulation of debris on the signal plate of camshaft rear end
- Chipping signal plate of camshaft rear end

Is the inspection result normal?

- YES >> GO TO 7.
 NO >> Remove debris and clean the signal plate of camshaft rear end or replace camshaft. Refer to [EM-79, "Removal and Installation"](#).



7. CHECK TIMING CHAIN INSTALLATION

Check service records for any recent repairs that may cause timing chain misalignment.

Are there any service records that may cause timing chain misalignment?

- YES >> Check timing chain installation. Refer to [EM-66, "Removal and Installation"](#).
 NO >> GO TO 8.

8. CHECK LUBRICATION CIRCUIT

Check lubrication circuit. Refer to [LU-8, "Inspection"](#).

Is the inspection result normal?

- YES >> INSPECTION END

A
EC
C
D
E
F
G
H
I
J
K
L
M
N
O
P

P0011, P0021 IVT CONTROL

[VQ35DE]

< DTC/CIRCUIT DIAGNOSIS >

NO >> Clean lubrication line.

Component Inspection

INFOID:000000011939739

1. CHECK INTAKE VALVE TIMING CONTROL SOLENOID VALVE-I

1. Turn ignition switch OFF.
2. Disconnect intake valve timing control solenoid valve harness connector.
3. Check resistance between intake valve timing control solenoid valve terminals as per the following.

Intake valve timing control solenoid valve		Condition		Resistance
+	-			
Terminal				
1	2	Temperature	20°C (68°F)	7.0 – 7.8 Ω
1	Ground			∞ (Continuity should not exist)
2				

Is the inspection result normal?

YES >> GO TO 2.

NO >> Replace malfunctioning intake valve timing control solenoid valve. Refer to [EM-55. "Exploded View"](#).

2. CHECK INTAKE VALVE TIMING CONTROL SOLENOID VALVE-II

1. Remove intake valve timing control solenoid valve. Refer to [EM-55. "Exploded View"](#).
2. Provide 12 V DC between intake valve timing control solenoid valve terminals 1 and 2, and then interrupt it. Check that the plunger moves as shown in the figure.

CAUTION:

Never apply 12 V DC continuously for 5 seconds or more. Doing so may result in damage to the coil in intake valve timing control solenoid valve.

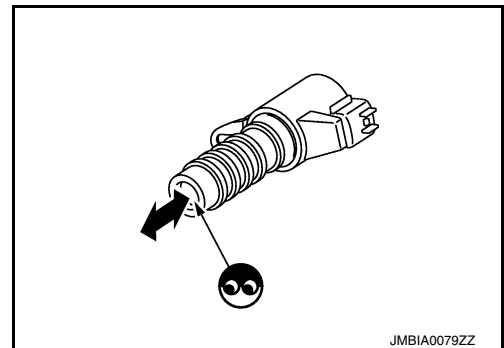
NOTE:

Always replace O-ring when intake valve timing control solenoid valve is removed.

Is the inspection result normal?

YES >> INSPECTION END

NO >> Replace malfunctioning intake valve timing control solenoid valve. Refer to [EM-55. "Exploded View"](#).



P0014, P0024 EVT CONTROL

< DTC/CIRCUIT DIAGNOSIS >

[VQ35DE]

P0014, P0024 EVT CONTROL

DTC Description

INFOID:0000000011939740

DTC DETECTION LOGIC

There is a gap between angle of target and phase-control angle degree.

DTC	CONSULT screen terms (Trouble diagnosis content)	DTC detection condition	
P0014	EXH/V TIM CONT-B1 [Exhaust valve timing control performance (bank 1)]	Diagnosis condition	—
		Signal (terminal)	—
		Threshold	There is a gap between angle of target and phase-control angle degree
		Diagnosis delay time	—
P0024	EXH/V TIM CONT-B2 [Exhaust valve timing control performance (bank 2)]	Diagnosis condition	—
		Signal (terminal)	—
		Threshold	There is a gap between angle of target and phase-control angle degree
		Diagnosis delay time	—

POSSIBLE CAUSE

- Crankshaft position sensor
- Camshaft position sensor
- Exhaust valve timing control position sensor
- Exhaust valve timing control solenoid valve
- Accumulation of debris to the signal pick-up portion of the camshaft
- Timing chain installation
- Foreign matter caught in the oil groove for exhaust valve timing control

FAIL-SAFE

Engine operating condition in fail-safe mode	
Fail safe mode	Vehicle behavior
Exhaust valve timing control	The signal is not energized to the exhaust valve timing control magnet retarder and the magnet retarder control does not function.

DTC CONFIRMATION PROCEDURE

1. CHECK DTC PRIORITY

If DTC P0014 or P0024 is displayed with DTC P0078, P0084, P1078, or P1084, first perform the confirmation procedure (trouble diagnosis) for DTC P0078, P0084, P1078, or P1084.

Is applicable DTC detected?

- YES >> Perform diagnosis of applicable.
- DTC P0078: Refer to [EC-218, "DTC Description"](#).
 - DTC P0084: Refer to [EC-218, "DTC Description"](#).
 - DTC P1078: Refer to [EC-430, "DTC Description"](#).
 - DTC P1084: Refer to [EC-430, "DTC Description"](#).
- NO >> GO TO 2.

2. PRECONDITIONING

If DTC Confirmation Procedure has been previously conducted, always perform the following procedure before conducting the next test.

1. Turn ignition switch OFF and wait at least 10 seconds.
2. Turn ignition switch ON
3. Turn ignition switch OFF and wait at least 10 seconds.

TESTING CONDITION:

P0014, P0024 EVT CONTROL

< DTC/CIRCUIT DIAGNOSIS >

[VQ35DE]

Before performing the following procedure, confirm that battery voltage is between 10 V and 16 V at idle.

>> GO TO 3.

3.PERFORM DTC CONFIRMATION PROCEDURE - 1

 With CONSULT

1. Turn the ignition switch ON and select "DATA MONITOR" mode of "ENGINE" using CONSULT.
2. Warm engine up to the normal operating temperature.
3. Maintain the following conditions for at least 6 consecutive seconds. Hold the accelerator pedal as steady as possible.

ENG SPEED	500 – 2,000 rpm (A constant rotation is maintained)
COOLAN TEMP/S	More than 20°C (68°F)
Selector lever	P or N position

4. Let engine idle for 10 seconds.
5. Check 1st trip DTC.

 With GST

Follow the procedure "With CONSULT" above.

Is 1st trip DTC detected?

- YES >> Proceed to [EC-202, "Diagnosis Procedure"](#)
NO >> GO TO 4.

4.PERFORM DTC CONFIRMATION PROCEDURE - 2

 With CONSULT

1. Select "DATA MONITOR" mode of "ENGINE" using CONSULT.
2. Maintain the following conditions for at least 20 consecutive seconds.

ENG SPEED	1,400 – 3,175 rpm (A constant rotation is maintained.)
COOLAN TEMP/S	More than 60°C (140°F)
Selector lever	1st or 2nd position
Driving location uphill	Driving vehicle uphill (Increased engine load will help maintain the driving conditions required for this test.)

CAUTION:

Always drive vehicle at a safe speed.

3. Check 1st trip DTC.

 With GST

Follow the procedure "With CONSULT" above.

Is 1st trip DTC detected?

- YES >> Proceed to [EC-202, "Diagnosis Procedure"](#).
NO-1 >> To check malfunction symptom before repair: Refer to [GI-41, "Intermittent Incident"](#).
NO-2 >> Confirmation after repair: INSPECTION END

Diagnosis Procedure

INFOID:0000000011939741

1.CHECK DTC PRIORITY

If DTC P0014 or P0024 is displayed with DTC P0078, P0084, P1078, or P1084, first perform the confirmation procedure (trouble diagnosis) for DTC P0078, P0084, P1078, or P1084.

Is applicable DTC detected?

- YES >> Perform diagnosis of applicable.
- DTC P0078: Refer to [EC-218, "DTC Description"](#).
 - DTC P0084: Refer to [EC-218, "DTC Description"](#).

< DTC/CIRCUIT DIAGNOSIS >

- DTC P1078: Refer to [EC-430, "DTC Description"](#).
- DTC P1084: Refer to [EC-430, "DTC Description"](#).

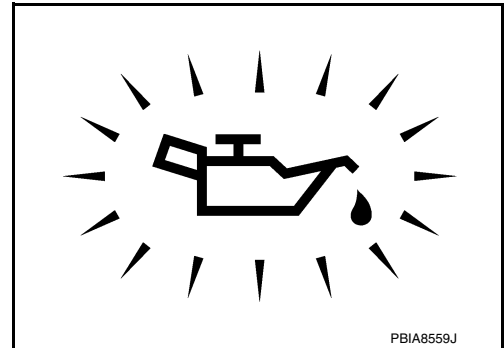
NO >> GO TO 2.

2.CHECK ENGINE OIL PRESSURE WARNING LAMP

1. Start the engine.
2. Check that engine oil pressure warning lamp is not illuminated.

Is engine oil pressure warning lamp illuminated?

- YES >> Proceed to [LU-8, "Inspection"](#).
NO >> GO TO 3.



3.CHECK EXHAUST VALVE TIMING CONTROL SOLENOID VALVE

Check exhaust valve timing control solenoid valve. Refer to [EC-206, "Component Inspection \(Exhaust Valve Timing Control Solenoid Valve\)"](#).

Is the inspection result normal?

- YES >> GO TO 4.
NO >> Replace malfunctioning exhaust valve timing control solenoid valve. Refer to [EM-55, "Exploded View"](#).

4.CHECK EXHAUST VALVE TIMING CONTROL POSITION SENSOR

Check exhaust valve timing control position sensor. Refer to [EC-205, "Component Inspection \(Exhaust Valve Timing Control Position Sensor\)"](#).

Is the inspection result normal?

- YES >> GO TO 5.
NO >> Replace malfunctioning exhaust valve timing control position sensor. Refer to [EM-55, "Exploded View"](#).

5.CHECK CRANKSHAFT POSITION SENSOR

Check crankshaft position sensor. Refer to [EC-205, "Component Inspection \(Crankshaft Position Sensor\)"](#).

Is the inspection result normal?

- YES >> GO TO 6.
NO >> Replace crankshaft position sensor. Refer to [EM-39, "Exploded View"](#).

6.CHECK CAMSHAFT POSITION SENSOR

Check camshaft position sensor. Refer to [EC-204, "Component Inspection \(Camshaft Position Sensor\)"](#).

Is the inspection result normal?

- YES >> GO TO 7.
NO >> Replace malfunctioning camshaft position sensor. Refer to [EM-51, "Exploded View"](#).

7.CHECK CAMSHAFT (EXH)

Check the following.

P0014, P0024 EVT CONTROL

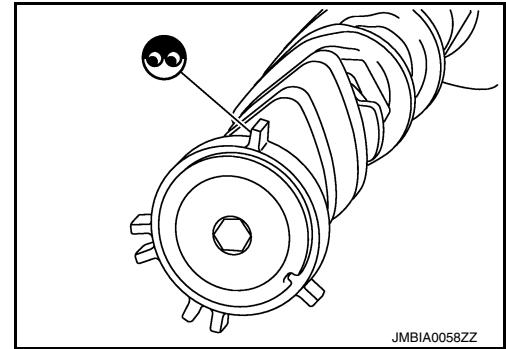
[VQ35DE]

< DTC/CIRCUIT DIAGNOSIS >

- Accumulation of debris on the signal plate of camshaft rear end
- Chipping signal plate of camshaft rear end

Is the inspection result normal?

- YES >> GO TO 8.
 NO >> Remove debris and clean the signal plate of camshaft rear end or replace camshaft. Refer to [EM-79, "Removal and Installation"](#).



8. CHECK TIMING CHAIN INSTALLATION

Check service records for any recent repairs that may cause timing chain misaligned.

Are there any service records that may cause timing chain misaligned?

- YES >> Check timing chain installation. Refer to [EM-66, "Removal and Installation"](#).
 NO >> GO TO 9.

9. CHECK LUBRICATION CIRCUIT

Perform "Inspection of Camshaft Sprocket (EXT) Oil Groove". Refer to [EM-86, "Inspection after Installation"](#).

Is the inspection result normal?

- YES >> INSPECTION END
 NO >> Clean lubrication line.

Component Inspection (Camshaft Position Sensor)

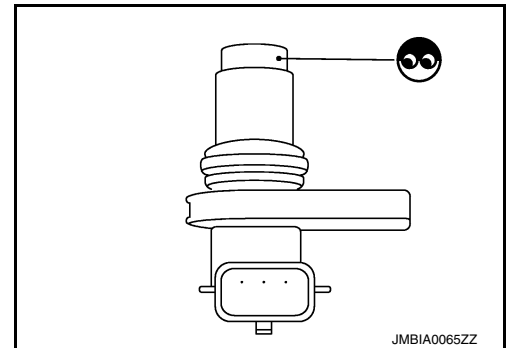
INFOID:0000000011939742

1. CHECK CAMSHAFT POSITION SENSOR (PHASE) - 1

1. Turn ignition switch OFF.
2. Loosen the fixing bolt of the sensor.
3. Disconnect camshaft position sensor (PHASE) harness connector.
4. Remove the sensor. Refer to [EM-51, "Exploded View"](#).
5. Visually check the sensor for chipping.

Is the inspection result normal?

- YES >> GO TO 2.
 NO >> Replace malfunctioning camshaft position sensor (PHASE). Refer to [EM-51, "Exploded View"](#).



2. CHECK CAMSHAFT POSITION SENSOR (PHASE) - 2

Check resistance camshaft position sensor (PHASE) terminals as follows.

Crankshaft position sensor		Condition		Resistance
+	-			
Terminals		Temperature	25°C (77°F)	Except 0 Ω or ∞
1	2			
1	3			
2	3			

Is the inspection result normal?

- YES >> INSPECTION END
 NO >> Replace malfunctioning camshaft position sensor (PHASE). Refer to [EM-51, "Exploded View"](#).

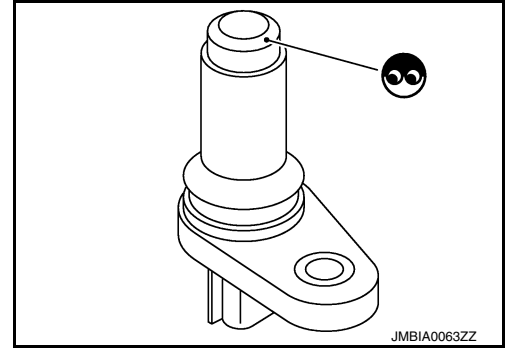
Component Inspection (Crankshaft Position Sensor)

1. CHECK CRANKSHAFT POSITION SENSOR (POS) - 1

1. Turn ignition switch OFF.
2. Loosen the fixing bolt of the sensor.
3. Disconnect crankshaft position sensor (POS) harness connector.
4. Remove the sensor. Refer to [EM-39, "Exploded View"](#).
5. Visually check the sensor for chipping.

Is the inspection result normal?

- YES >> GO TO 2.
 NO >> Replace crankshaft position sensor (POS). Refer to [EM-39, "Exploded View"](#).



2. CHECK CRANKSHAFT POSITION SENSOR (POS) - 2

Check resistance between crankshaft position sensor (POS) terminals as follows.

Crankshaft position sensor		Condition		Resistance
+	-			
Terminals				
1	2	Temperature	25°C (77°F)	Except 0 Ω or ∞
1	3			
2	3			

Is the inspection result normal?

- YES >> INSPECTION END
 NO >> Replace crankshaft position sensor (POS). Refer to [EM-39, "Exploded View"](#).

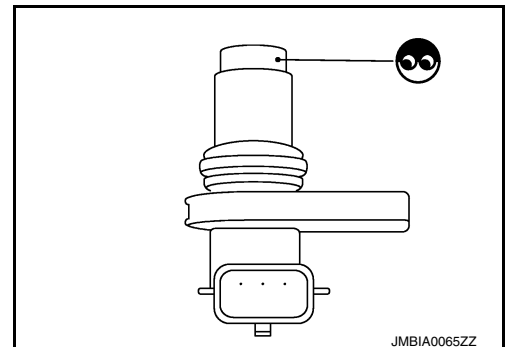
Component Inspection (Exhaust Valve Timing Control Position Sensor)

1. EXHAUST VALVE TIMING CONTROL POSITION SENSOR - 1

1. Turn ignition switch OFF.
2. Disconnect exhaust valve timing control position sensor harness connector.
3. Loosen the fixing bolt of the sensor.
4. Remove the sensor. Refer to [EM-51, "Exploded View"](#).
5. Visually check the sensor for chipping.

Is the inspection result normal?

- YES >> GO TO 2.
 NO >> Replace malfunctioning exhaust valve timing control position sensor. Refer to [EM-51, "Exploded View"](#).



2. EXHAUST VALVE TIMING CONTROL POSITION SENSOR - 2

Check resistance exhaust valve timing control position sensor terminals as follows.

A
EC
C
D
E
F
G
H
I
J
K
L
M
N
O
P

P0014, P0024 EVT CONTROL

< DTC/CIRCUIT DIAGNOSIS >

[VQ35DE]

Exhaust valve timing control position sensor		Condition		Resistance
+	-			
Terminal				
1	2	Temperature	25°C (77°F)	Except 0 Ω or ∞ Ω
1	3			
2	3			

Is the inspection result normal?

YES >> INSPECTION END

NO >> Replace malfunctioning exhaust valve timing control position sensor. Refer to [EM-51, "Exploded View"](#).

Component Inspection (Exhaust Valve Timing Control Solenoid Valve)

INFOID:000000011939745

1. CHECK EXHAUST VALVE TIMING CONTROL SOLENOID VALVE - 1

1. Turn ignition switch OFF.
2. Disconnect exhaust valve timing control solenoid valve harness connector.
3. Check resistance between exhaust valve timing control solenoid valve terminals as follows.

Exhaust valve timing control solenoid valve		Condition		Resistance
+	-			
Terminal				
1	2	Temperature	20°C (68°F)	7.0 – 7.8 Ω
1	Ground			∞ (Continuity should not exist)
2				

Is the inspection result normal?

YES >> GO TO 2.

NO >> Replace malfunctioning exhaust valve timing control solenoid valve. Refer to [EM-55, "Exploded View"](#).

2. CHECK EXHAUST VALVE TIMING CONTROL SOLENOID VALVE - 2

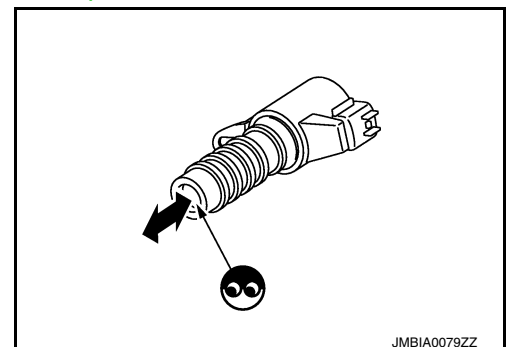
1. Remove intake valve timing control solenoid valve. Refer to [EM-55, "Exploded View"](#).
2. Apply 12 V between exhaust valve timing control solenoid valve terminals 1 and 2, and then interrupt it. Check that the plunger moves as shown in the figure.

CAUTION:

Never apply 12 V continuously for 5 seconds or more. Doing so may result in damage to the coil in exhaust valve timing control solenoid valve.

NOTE:

Always replace O-ring when exhaust valve timing control solenoid valve is removed.



Is the inspection result normal?

YES >> INSPECTION END

NO >> Replace malfunctioning exhaust valve timing control solenoid valve. Refer to [EM-55, "Exploded View"](#).

P0030, P0031, P0032, P0036, P0051, P0052 A/F SENSOR 1 HEATER

< DTC/CIRCUIT DIAGNOSIS >

[VQ35DE]

P0030, P0031, P0032, P0036, P0051, P0052 A/F SENSOR 1 HEATER

DTC Description

INFOID:0000000011939746

DTC DETECTION LOGIC

- Deterioration in A/F sensor 1 heater performance.
- The current amperage in the A/F sensor 1 heater circuit is out of the normal range.

DTC	CONSULT screen terms (Trouble diagnosis content)	DTC detection condition	
		Diagnosis condition	Signal (terminal)
P0030	Air fuel ratio (A/F) sensor 1 heater (bank 1) performance	Diagnosis condition	Start engine and let it idle
		Signal (terminal)	Voltage signal transmitted from A/F sensor 1 heater to ECM
		Threshold	Voltage signal is higher/lower than voltage in the normal range
		Diagnosis delay time	—
P0031	A/F SEN1 HTR (B1) (HO2S heater control circuit low bank 1 sensor 1)	Diagnosis condition	Start engine and let it idle
		Signal (terminal)	Voltage signal transmitted from A/F sensor 1 heater to ECM
		Threshold	An excessively low voltage signal is sent to ECM through the A/F sensor 1 heater
		Diagnosis delay time	—
P0032	A/F SEN1 HTR (B1) (HO2S heater control circuit high bank 1 sensor 1)	Diagnosis condition	Start engine and let it idle
		Signal (terminal)	Voltage signal transmitted from A/F sensor 1 heater to ECM
		Threshold	An excessively high voltage signal is sent to ECM through the A/F sensor 1 heater
		Diagnosis delay time	—
P0036	Air fuel ratio (A/F) sensor 1 heater (bank 2) performance	Diagnosis condition	Start engine and let it idle
		Signal (terminal)	Voltage signal transmitted from A/F sensor 1 heater to ECM
		Threshold	Voltage signal is higher/lower than voltage in the normal range
		Diagnosis delay time	—
P0051	A/F SEN1 HTR (B2) (HO2S heater control circuit low bank 2 sensor 1)	Diagnosis condition	Start engine and let it idle
		Signal (terminal)	Voltage signal transmitted from A/F sensor 1 heater to ECM
		Threshold	An excessively low voltage signal is sent to ECM through the A/F sensor 1 heater
		Diagnosis delay time	—
P0052	A/F SEN1 HTR (B2) (HO2S heater control circuit high bank 2 sensor 1)	Diagnosis condition	Start engine and let it idle
		Signal (terminal)	Voltage signal transmitted from A/F sensor 1 heater to ECM
		Threshold	An excessively high voltage signal is sent to ECM through the A/F sensor 1 heater
		Diagnosis delay time	—

POSSIBLE CAUSE

P0030

- Harness or connectors (The A/F sensor 1 heater circuit is open or shorted.)
- The A/F sensor 1 heater

P0031

P0030, P0031, P0032, P0036, P0051, P0052 A/F SENSOR 1 HEATER

< DTC/CIRCUIT DIAGNOSIS >

[VQ35DE]

- Harness or connectors (The A/F sensor 1 heater circuit is open or shorted.)
- The A/F sensor 1 heater

P0032

- Harness or connectors (The A/F sensor 1 heater circuit is shorted.)
- The A/F sensor 1 heater

P0036

- Harness or connectors (The A/F sensor 1 heater circuit is open or shorted.)
- The A/F sensor 1 heater

P0051

- Harness or connectors (The A/F sensor 1 heater circuit is open or shorted.)
- The A/F sensor 1 heater

P0052

- Harness or connectors (The A/F sensor 1 heater circuit is shorted.)
- The A/F sensor 1 heater

FAIL-SAFE

Not applicable

DTC CONFIRMATION PROCEDURE

1. PRECONDITIONING

If DTC Confirmation Procedure has been previously conducted, always perform the following before conducting the next test.

1. Turn ignition switch OFF and wait at least 10 seconds.
2. Turn ignition switch ON.
3. Turn ignition switch OFF and wait at least 10 seconds.

TESTING CONDITION:

Before performing the following procedure, confirm that battery voltage is more than 11 V at idle.

>> GO TO 2.

2. PERFORM DTC CONFIRMATION PROCEDURE

1. Start engine and let it idle for at least 10 seconds.
2. Check 1st trip DTC.

Is 1st trip DTC detected?

- YES >> Proceed to [EC-208. "Diagnosis Procedure"](#).
- NO-1 >> To check malfunction symptom before repair: Refer to [GI-41. "Intermittent Incident"](#).
- NO-2 >> Confirmation after repair: INSPECTION END

Diagnosis Procedure

INFOID:000000011939747

1. CHECK AIR FUEL RATIO (A/F) SENSOR 1 POWER SUPPLY

1. Disconnect air fuel ratio (A/F) sensor 1 harness connector.
2. Turn ignition switch ON.
3. Check the voltage between A/F sensor 1 harness connector and ground.

DTC	+			-	Voltage
	A/F sensor 1				
	Bank	Connector	Terminal		
P0030, P0031, P0032	1	F12	1	Ground	Battery voltage
P0036, P0051, P0052	2	F61	1		

Is the inspection result normal?

- YES >> GO TO 3.
- NO >> GO TO 2.

2. CHECK AIR FUEL RATIO (A/F) SENSOR 1 POWER SUPPLY CIRCUIT

P0030, P0031, P0032, P0036, P0051, P0052 A/F SENSOR 1 HEATER

< DTC/CIRCUIT DIAGNOSIS >

[VQ35DE]

1. Turn ignition switch OFF.
2. Disconnect IPDM E/R harness connector.
3. Check the continuity between A/F sensor 1 harness connector and IPDM E/R harness connector.

DTC	A/F sensor 1			IPDM E/R		Continuity
	Bank	Connector	Terminal	Connector	Terminal	
P0030, P0031, P0032	1	F12	1	F50	52	Existed
P0036, P0051, P0052	2	F61	1		53	

Is the inspection result normal?

YES >> Perform the trouble diagnosis for power supply circuit.

NO >> Repair or replace error-detected parts.

3. CHECK A/F SENSOR 1 HEATER OUTPUT SIGNAL CIRCUIT

1. Turn ignition switch OFF.
2. Disconnect ECM harness connector.
3. Check harness continuity between A/F sensor 1 harness connector and ECM harness connector.

DTC	A/F sensor 1			ECM		Continuity
	Bank	Connector	Terminal	Connector	Terminal	
P0030, P0031, P0032	1	F12	2	F13	6	Existed
P0036, P0051, P0052	2	F61	2		46	

4. Also check harness for short to ground and short to power.

Is the inspection result normal?

YES >> GO TO 4.

NO >> Repair open circuit, short to ground or short to power in harness or connectors.

4. CHECK A/F SENSOR 1 HEATER

Check A/F sensor 1 heater. Refer to [EC-209, "Component Inspection"](#).

Is the inspection result normal?

YES >> INSPECTION END

NO >> Replace malfunctioning air fuel ratio (A/F) sensor 1. Refer to [EM-32, "Removal and Installation \(bank 2\)"](#), [EM-34, "Removal and Installation \(bank 1\)"](#).

Component Inspection

INFOID:000000011939748

1. CHECK AIR FUEL RATIO (A/F) SENSOR 1

1. Turn ignition switch OFF.
2. Disconnect A/F sensor 1 harness connector.
3. Check resistance between A/F sensor 1 terminals as per the following.

+		-		Resistance
A/F sensor 1				
Terminal				
2	1		1.8 - 2.44 Ω [at 25°C (77°F)]	
	3		∞ Ω (Continuity should not exist)	
	4			
1	3			
	4			

Is the inspection result normal?

YES >> INSPECTION END

NO >> Replace malfunctioning air fuel ratio (A/F) sensor 1. Refer to [EM-32, "Removal and Installation \(bank 2\)"](#), [EM-34, "Removal and Installation \(bank 1\)"](#).

P0037, P0038, P0057, P0058 HO2S2 HEATER

< DTC/CIRCUIT DIAGNOSIS >

[VQ35DE]

P0037, P0038, P0057, P0058 HO2S2 HEATER

DTC Description

INFOID:000000011939749

DTC DETECTION LOGIC

The current amperage in the heated oxygen sensor 2 heater circuit is out of the normal range.

DTC	CONSULT screen terms (Trouble diagnosis content)	DTC detection condition	
P0037	HO2S2 HTR (B1) (HO2S heater control circuit low bank 1 sensor 2)	Diagnosis condition	—
		Signal (terminal)	Voltage signal transmitted from heated oxygen sensor 2 heater to ECM
		Threshold	An excessively low voltage signal is sent to ECM through the heated oxygen sensor 2 heater
		Diagnosis delay time	—
P0038	HO2S2 HTR (B1) (HO2S heater control circuit high bank 1 sensor 2)	Diagnosis condition	—
		Signal (terminal)	Voltage signal transmitted from heated oxygen sensor 2 heater to ECM
		Threshold	An excessively high voltage signal is sent to ECM through the heated oxygen sensor 2 heater
		Diagnosis delay time	—
P0057	HO2S2 HTR (B2) (HO2S heater control circuit low bank 2 sensor 2)	Diagnosis condition	—
		Signal (terminal)	Voltage signal transmitted from heated oxygen sensor 2 heater to ECM
		Threshold	An excessively low voltage signal is sent to ECM through the heated oxygen sensor 2 heater
		Diagnosis delay time	—
P0058	HO2S2 HTR (B2) (HO2S heater control circuit high bank 2 sensor 2)	Diagnosis condition	—
		Signal (terminal)	Voltage signal transmitted from heated oxygen sensor 2 heater to ECM
		Threshold	An excessively high voltage signal is sent to ECM through the heated oxygen sensor 2 heater
		Diagnosis delay time	—

POSSIBLE CAUSE

P0037

- Harness or connectors (The heated oxygen sensor 2 heater circuit is open or shorted.)
- Heated oxygen sensor 2 heater

P0038

- Harness or connectors (The heated oxygen sensor 2 heater circuit is shorted.)
- Heated oxygen sensor 2 heater

P0057

- Harness or connectors (The heated oxygen sensor 2 heater circuit is open or shorted.)
- Heated oxygen sensor 2 heater

P0058

- Harness or connectors (The heated oxygen sensor 2 heater circuit is shorted.)
- Heated oxygen sensor 2 heater

FAIL-SAFE

Not applicable

P0037, P0038, P0057, P0058 HO2S2 HEATER

< DTC/CIRCUIT DIAGNOSIS >

[VQ35DE]

DTC CONFIRMATION PROCEDURE

1. PRECONDITIONING

If DTC Confirmation Procedure has been previously conducted, always perform the following before conducting the next test.

1. Turn ignition switch OFF and wait at least 10 seconds.
2. Turn ignition switch ON.
3. Turn ignition switch OFF and wait at least 10 seconds.

TESTING CONDITION:

Before performing the following procedure, confirm that battery voltage is between 10.5 V and 16 V at idle.

>> GO TO 2.

2. PERFORM DTC CONFIRMATION PROCEDURE

1. Start engine and warm it up to the normal operating temperature.
2. Turn ignition switch OFF and wait at least 10 seconds.
3. Turn ignition switch ON.
4. Turn ignition switch OFF and wait at least 10 seconds.
5. Start engine and keep the engine speed between 3,500 and 4,000 rpm for at least 1 minute under no load.
6. Let engine idle for 1 minute.
7. Check 1st trip DTC.

Is 1st trip DTC detected?

YES >> Proceed to [EC-211. "Diagnosis Procedure"](#).

NO-1 >> To check malfunction symptom before repair: Refer to [GI-41. "Intermittent Incident"](#).

NO-2 >> Confirmation after repair: INSPECTION END

Diagnosis Procedure

INFOID:000000011939750

1. CHECK HO2S2 POWER SUPPLY

1. Disconnect heated oxygen sensor 2 (HO2S2) harness connector.
2. Turn ignition switch ON.
3. Check the voltage between HO2S2 harness connector and ground.

DTC	+			-	Voltage
	HO2S2				
	Bank	Connector	Terminal		
P0037, P0038	1	F62	1	Ground	Battery voltage
P0057, P0058	2	F56	1		

Is the inspection result normal?

YES >> GO TO 3.

NO >> GO TO 2.

2. CHECK HO2S2 SENSOR 1 POWER SUPPLY CIRCUIT

1. Turn ignition switch OFF.
2. Disconnect IPDM E/R harness connector.
3. Check the continuity between HO2S2 harness connector and IPDM E/R harness connector.

DTC	HO2S2			IPDM E/R		Continuity
	Bank	Connector	Terminal	Connector	Terminal	
P0037, P0038	1	F62	1	F50	52	Existed
P0057, P0058	2	F56	1		53	

Is the inspection result normal?

YES >> Perform the trouble diagnosis for power supply circuit.

NO >> Repair or replace error-detected parts.

P0037, P0038, P0057, P0058 HO2S2 HEATER

< DTC/CIRCUIT DIAGNOSIS >

[VQ35DE]

3. CHECK HO2S2 HEATER OUTPUT SIGNAL CIRCUIT FOR OPEN AND SHORT

1. Turn ignition switch OFF.
2. Disconnect ECM harness connector.
3. Check the continuity between HO2S2 harness connector and ECM harness connector.

DTC	HO2S2			ECM		Continuity
	Bank	Connector	Terminal	Connector	Terminal	
P0037, P0038	1	F62	2	F13	7	Existed
P0057, P0058	2	F56	2		47	

4. Also check harness for short to ground and short to power.

Is the inspection result normal?

YES >> GO TO 4.

NO >> Repair open circuit, short to ground or short to power in harness or connectors.

4. CHECK HEATED OXYGEN SENSOR 2 HEATER

Check heated oxygen sensor 2 heater. Refer to [EC-212, "Component Inspection"](#).

Is the inspection result normal?

YES >> INSPECTION END

NO >> Replace malfunctioning heated oxygen sensor 2. Refer to [EM-32, "Removal and Installation \(bank 2\)"](#), [EM-34, "Removal and Installation \(bank 1\)"](#).

Component Inspection

INFOID:000000011939751

1. CHECK HEATED OXYGEN SENSOR 2 HEATER

1. Turn ignition switch OFF.
2. Disconnect heated oxygen sensor 2 harness connector.
3. Check resistance between HO2S2 terminals as per the following.

+		-		Resistance
Heated oxygen sensor 2				
Terminal				
1		2		3.0 Ω [at 25°C (77°F)]
3		1		∞ Ω (Continuity should not exist)
		2		
		4		
4		1		
		2		
		3		

Is the inspection result normal?

YES >> INSPECTION END

NO >> Replace malfunctioning heated oxygen sensor 2. Refer to [EM-36, "Removal and Installation \(bank 2\)"](#), [EM-37, "Removal and Installation \(bank 1\)"](#).

P0075, P0081 IVT CONTROL SOLENOID VALVE

< DTC/CIRCUIT DIAGNOSIS >

[VQ35DE]

P0075, P0081 IVT CONTROL SOLENOID VALVE

DTC Description

INFOID:0000000011939752

DTC DETECTION LOGIC

- ECM detects an abnormal voltage in the intake valve timing control solenoid valve control circuit.
- ECM detects an abnormal voltage in the intake valve timing intermediate lock control solenoid valve control circuit.

DTC	CONSULT screen terms (Trouble diagnosis content)	DTC detection condition	
		Diagnosis condition	
P0075	INT/V TIM V/CIR-B1 (Intake valve control solenoid circuit bank 1)	Diagnosis condition	Start engine and let it idle
		Signal (terminal)	<ul style="list-style-type: none"> • Voltage signal transmitted from intake valve timing control solenoid valve to ECM • Voltage signal transmitted from intake valve timing intermediate lock control solenoid valve to ECM
		Threshold	<ul style="list-style-type: none"> • ECM detects an abnormal voltage in the intake valve timing control solenoid valve control circuit. • ECM detects an abnormal voltage in the intake valve timing intermediate lock control solenoid valve control circuit.
		Diagnosis delay time	—
P0081	INT/V TIM V/CIR-B1 (Intake valve control solenoid circuit bank 2)	Diagnosis condition	Start engine and let it idle
		Signal (terminal)	<ul style="list-style-type: none"> • Voltage signal transmitted from intake valve timing control solenoid valve to ECM • Voltage signal transmitted from intake valve timing intermediate lock control solenoid valve to ECM
		Threshold	<ul style="list-style-type: none"> • ECM detects an abnormal voltage in the intake valve timing control solenoid valve control circuit. • ECM detects an abnormal voltage in the intake valve timing intermediate lock control solenoid valve control circuit.
		Diagnosis delay time	—

POSSIBLE CAUSE

P0075

- Harness or connectors
 - Intake valve timing control solenoid valve circuit is open or shorted.
 - Intake valve timing intermediate lock control solenoid valve circuit is open or shorted.
- Intake valve timing control solenoid valve
- Intake valve timing intermediate lock control solenoid valve

P0081

- Harness or connectors
 - Intake valve timing control solenoid valve circuit is open or shorted.
 - Intake valve timing intermediate lock control solenoid valve circuit is open or shorted.
- Intake valve timing control solenoid valve
- Intake valve timing intermediate lock control solenoid valve

FAIL-SAFE

Not applicable

DTC CONFIRMATION PROCEDURE

1. PRECONDITIONING

P0075, P0081 IVT CONTROL SOLENOID VALVE

[VQ35DE]

< DTC/CIRCUIT DIAGNOSIS >

If DTC Confirmation Procedure has been previously conducted, always perform the following before conducting the next test.

1. Turn ignition switch OFF and wait at least 10 seconds.
2. Turn ignition switch ON.
3. Turn ignition switch OFF and wait at least 10 seconds.

>> GO TO 2.

2. PERFORM DTC CONFIRMATION PROCEDURE

1. Start engine and let it idle for 5 seconds.
2. Check 1st trip DTC.

Is 1st trip DTC detected?

- YES >> Proceed to [EC-214, "Diagnosis Procedure"](#).
NO-1 >> To check malfunction symptom before repair: Refer to [GI-41, "Intermittent Incident"](#).
NO-2 >> Confirmation after repair: INSPECTION END

Diagnosis Procedure

INFOID:000000011939753

1. CHECK INTAKE VALVE TIMING CONTROL SOLENOID VALVE POWER SUPPLY

1. Turn ignition switch OFF.
2. Disconnect intake valve timing (IVT) control solenoid valve harness connector.
3. Turn ignition switch ON.
4. Check the voltage between intake valve timing control solenoid valve harness connector and ground with CONSULT or tester.

DTC	+			-	Voltage
	IVT control solenoid valve				
	Bank	Connector	Terminal		
P0075	1	F67	1	Ground	Battery voltage
P0081	2	F66	1		

Is the inspection result normal?

- YES >> GO TO 2.
NO >> Repair open circuit, short to ground or short to power in harness or connectors.

2. CHECK IVT CONTROL SOLENOID VALVE POWER SUPPLY CIRCUIT

1. Turn ignition switch OFF.
2. Disconnect IPDM E/R harness connector.
3. Check the continuity between IVT control solenoid valve harness connector and IPDM E/R harness connector.

DTC	IVT control solenoid valve			IPDM E/R		Continuity
	Bank	Connector	Terminal	Connector	Terminal	
P0075	1	F67	1	F50	59	Existed
P0081	2	F66	1			

4. Also check harness for short to ground.

Is the inspection result normal?

- YES >> GO TO 3.
NO >> Repair or replace error-detected parts.

3. CHECK INTAKE VALVE TIMING CONTROL SOLENOID VALVE OUTPUT SIGNAL CIRCUIT FOR OPEN AND SHORT

1. Turn ignition switch OFF.
2. Disconnect ECM harness connector.
3. Check the continuity between intake valve timing control solenoid valve harness connector and ECM harness connector.

P0075, P0081 IVT CONTROL SOLENOID VALVE

< DTC/CIRCUIT DIAGNOSIS >

[VQ35DE]

DTC	IVT control solenoid valve			ECM		Continuity
	Bank	Connector	Terminal	Connector	Terminal	
P0075	1	F67	2	F14	117	Existed
P0081	2	F66	2		119	

4. Also check harness for short to ground and short to power.

Is the inspection result normal?

YES >> GO TO 4.

NO >> Repair open circuit, short to ground or short to power in harness or connectors.

4.CHECK IVT CONTROL SOLENOID VALVE

Check the IVT control solenoid valve. Refer to [EC-216, "Component Inspection \(IVT Control Solenoid Valve\)"](#).

Is the inspection result normal?

YES >> GO TO 5.

NO >> Replace IVT control solenoid valve. Refer to [EM-55, "Exploded View"](#).

5.CHECK IVT INTERMEDIATE LOCK CONTROL SOLENOID VALVE POWER SUPPLY

1. Disconnect IVT intermediate lock control solenoid valve harness connector.
2. Turn ignition switch ON.
3. Check the voltage between IVT intermediate lock control solenoid valve harness connector and ground.

DTC	+			-	Voltage
	IVT intermediate lock control solenoid valve				
	Bank	Connector	Terminal		
P0075	1	F76	1	Ground	Battery voltage
P0081	2	F77	1		

Is the inspection result normal?

YES >> GO TO 7.

NO >> GO TO 6.

6.CHECK IVT INTERMEDIATE LOCK CONTROL SOLENOID VALVE POWER SUPPLY CIRCUIT

1. Turn ignition switch OFF.
2. Disconnect IPDM E/R harness connector.
3. Check the continuity between IVT intermediate lock control solenoid valve harness connector and IPDM E/R harness connector.

DTC	IVT intermediate lock control solenoid valve			IPDM E/R		Continuity
	Bank	Connector	Terminal	Connector	Terminal	
P0075	1	F76	1	F50	59	Existed
P0081	2	F77	1			

4. Also check harness for short to ground.

Is the inspection result normal?

YES >> Perform the trouble diagnosis for power supply circuit.

NO >> Repair or replace error-detected parts.

7.CHECK IVT INTERMEDIATE LOCK CONTROL SOLENOID VALVE GROUND CIRCUIT

1. Turn ignition switch OFF.
2. Disconnect ECM harness connector.
3. Check the continuity between IVT intermediate lock control solenoid valve harness connector and ECM harness connector.

P0075, P0081 IVT CONTROL SOLENOID VALVE

< DTC/CIRCUIT DIAGNOSIS >

[VQ35DE]

DTC	IVT intermediate lock control solenoid valve			ECM		Continuity
	Bank	Connector	Terminal	Connector	Terminal	
P0075	1	F76	2	F14	118	Existed
P0081	2	F77	2		120	

4. Also check harness for short to ground and short to power.

Is the inspection result normal?

YES >> GO TO 8.

NO >> Repair or replace error-detected parts.

8. CHECK IVT INTERMEDIATE LOCK CONTROL SOLENOID VALVE

Check the IVT intermediate lock control solenoid valve. Refer to [EC-217, "Component Inspection \(IVT Intermediate Lock Control Solenoid Valve\)"](#).

Is the inspection result normal?

YES >> INSPECTION END

NO >> Replace IVT intermediate lock control solenoid valve. Refer to [EM-55, "Exploded View"](#).

Component Inspection (IVT Control Solenoid Valve)

INFOID:0000000011939754

1. CHECK INTAKE VALVE TIMING CONTROL SOLENOID VALVE-I

1. Turn ignition switch OFF.
2. Disconnect intake valve timing control solenoid valve harness connector.
3. Check resistance between intake valve timing control solenoid valve terminals as follows.

Intake valve timing control solenoid valve		Condition		Resistance
+	-			
Terminal				
1	2	Temperature	20°C (68°F)	7.0 – 7.8 Ω
1	Ground			∞ (Continuity should not exist)
2				

Is the inspection result normal?

YES >> GO TO 2.

NO >> Replace intake valve timing control solenoid valve. Refer to [EM-55, "Exploded View"](#).

2. CHECK INTAKE VALVE TIMING CONTROL SOLENOID VALVE-II

1. Remove intake valve timing control solenoid valve. Refer to [EM-55, "Exploded View"](#).
2. Provide 12 V DC between intake valve timing control solenoid valve terminals 1 and 2, and then interrupt it. Make sure that the plunger moves as shown in the figure.

CAUTION:

Do not apply 12 V DC continuously for 5 seconds or more. Doing so may result in damage to the coil in intake valve timing control solenoid valve.

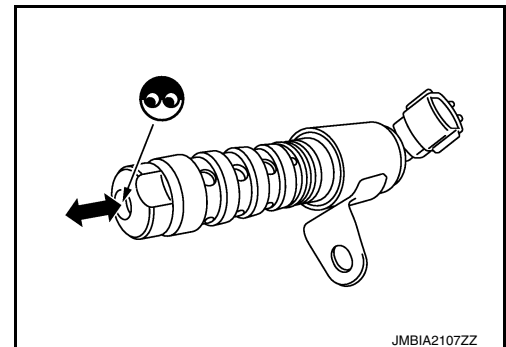
NOTE:

Always replace O-ring when intake valve timing control solenoid valve is removed.

Is the inspection result normal?

YES >> INSPECTION END

NO >> Replace intake valve timing control solenoid valve. Refer to [EM-55, "Exploded View"](#).



P0075, P0081 IVT CONTROL SOLENOID VALVE

< DTC/CIRCUIT DIAGNOSIS >

[VQ35DE]

Component Inspection (IVT Intermediate Lock Control Solenoid Valve)

INFOID:000000011939755

1. CHECK INTAKE VALVE TIMING INTERMEDIATE LOCK CONTROL SOLENOID VALVE-I

1. Turn ignition switch OFF.
2. Disconnect intake valve timing intermediate lock control solenoid valve harness connector.
3. Check resistance between intake valve timing intermediate lock control solenoid valve terminals as follows.

Intake valve timing intermediate lock control solenoid valve		Condition		Resistance
+	-			
Terminal				
1	2	Temperature	20°C (68°F)	7.0 – 7.8 Ω
1	Ground			∞ (Continuity should not exist)
2				

Is the inspection result normal?

YES >> GO TO 2.

NO >> Replace intake valve timing intermediate lock control solenoid valve. Refer to [EM-55. "Exploded View"](#).

2. CHECK INTAKE VALVE TIMING INTERMEDIATE LOCK CONTROL SOLENOID VALVE-II

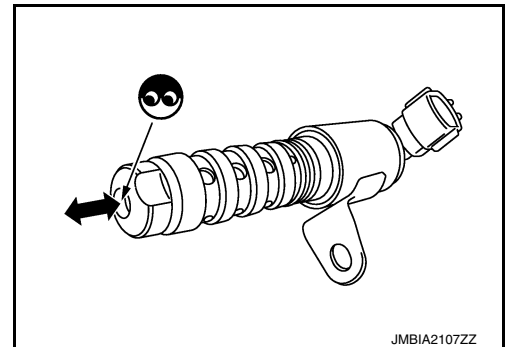
1. Remove intake valve timing intermediate lock control solenoid valve. Refer to [EM-55. "Exploded View"](#).
2. Provide 12 V DC between intake valve timing intermediate lock control solenoid valve terminals 1 and 2, and then interrupt it. Make sure that the plunger moves as shown in the figure.

CAUTION:

Do not apply 12 V DC continuously for 5 seconds or more. Doing so may result in damage to the coil in intake valve timing intermediate lock control solenoid valve.

NOTE:

Always replace O-ring when intake valve timing intermediate lock control solenoid valve is removed.



JMBIA2107ZZ

Is the inspection result normal?

YES >> INSPECTION END

NO >> Replace intake valve timing intermediate lock control solenoid valve. Refer to [EM-55. "Exploded View"](#).

P0078, P0084 EVT CONTROL SOLENOID VALVE

< DTC/CIRCUIT DIAGNOSIS >

[VQ35DE]

P0078, P0084 EVT CONTROL SOLENOID VALVE

DTC Description

INFOID:000000011939756

DTC DETECTION LOGIC

An improper voltage is sent to the ECM through exhaust valve timing control solenoid valve.

DTC	CONSULT screen terms (Trouble diagnosis content)	DTC detection condition	
P0078	EX V/T ACT/CIRC-B1 [Exhaust valve timing control solenoid valve (bank 1) circuit]	Diagnosis condition	Start engine and let it idle
		Signal (terminal)	Voltage signal transmitted from exhaust valve timing control solenoid valve to ECM
		Threshold	An improper voltage is sent to the ECM through exhaust valve timing control solenoid valve
		Diagnosis delay time	—
P0084	EX V/T ACT/CIRC-B2 [Exhaust valve timing control solenoid valve (bank 2) circuit]	Diagnosis condition	Start engine and let it idle
		Signal (terminal)	Voltage signal transmitted from exhaust valve timing control solenoid valve to ECM
		Threshold	An improper voltage is sent to the ECM through exhaust valve timing control solenoid valve
		Diagnosis delay time	—

POSSIBLE CAUSE

P0078

- Harness or connectors (Exhaust valve timing control solenoid valve circuit is open or shorted.)
- Exhaust valve timing control solenoid valve

P0084

- Harness or connectors (Exhaust valve timing control solenoid valve circuit is open or shorted.)
- Exhaust valve timing control solenoid valve

FAIL-SAFE

Not applicable

DTC CONFIRMATION PROCEDURE

1. PRECONDITIONING

If DTC Confirmation Procedure has been previously conducted, always perform the following procedure before conducting the next test.

1. Turn ignition switch OFF and wait at least 10 seconds.
2. Turn ignition switch ON.
3. Turn ignition switch OFF and wait at least 10 seconds.

>> GO TO 2.

2. PERFORM DTC CONFIRMATION PROCEDURE

1. Start the engine and let it idle for 5 seconds.
2. Check 1st trip DTC.

Is 1st trip DTC detected?

- YES >> Proceed to [EC-219. "Diagnosis Procedure"](#).
NO-1 >> To check malfunction symptom before repair: Refer to [GI-41. "Intermittent Incident"](#).
NO-2 >> Confirmation after repair: INSPECTION END

P0078, P0084 EVT CONTROL SOLENOID VALVE

< DTC/CIRCUIT DIAGNOSIS >

[VQ35DE]

Diagnosis Procedure

INFOID:000000011939757

1. CHECK EXHAUST VALVE TIMING CONTROL SOLENOID VALVE POWER SUPPLY CIRCUIT - 1

1. Turn ignition switch OFF.
2. Disconnect exhaust valve timing control solenoid valve harness connector.
3. Turn ignition switch ON.
4. Check the voltage between exhaust valve timing control solenoid valve harness connector and ground.

DTC	+			-	Voltage
	Exhaust valve timing control solenoid valve				
	Bank	Connector	Terminal		
P0078	1	F78	1	Ground	Battery voltage
P0084	2	F79	1		

Is the inspection result normal?

YES >> GO TO 2.

NO >> GO TO 4.

2. CHECK EVT CONTROL SOLENOID VALVE OUTPUT SIGNAL CIRCUIT FOR OPEN AND SHORT

1. Turn ignition switch OFF.
2. Disconnect ECM harness connector.
3. Check the continuity between exhaust valve timing control solenoid valve harness connector and ECM harness connector.

DTC	+			-		Continuity
	Exhaust valve timing control solenoid valve			ECM		
	Bank	Connector	Terminal	Connector	Terminal	
P0078	1	F78	2	F14	58	Existed
P0084	2	F79	2		60	

4. Also check harness for short to ground and short to power.

Is the inspection result normal?

YES >> GO TO 3.

NO >> Repair open circuit, short to ground or short to power in harness or connectors.

3. CHECK EXHAUST VALVE TIMING CONTROL SOLENOID VALVE

Check exhaust valve timing control solenoid valve. Refer to [EC-220. "Component Inspection"](#).

Is the inspection result normal?

YES >> INSPECTION END

NO >> Replace malfunctioning exhaust valve timing control solenoid valve. Refer to [EM-55. "Exploded View"](#).

4. CHECK EXHAUST VALVE TIMING CONTROL SOLENOID VALVE POWER SUPPLY CIRCUIT - 2

1. Turn ignition switch OFF.
2. Disconnect IPDM E/R harness connector.
3. Check the continuity between IPDM E/R harness connector and exhaust valve timing control solenoid valve harness connector.

DTC	+		-		Continuity
	IPDM E/R		Exhaust valve timing control solenoid valve		
	Connector	Terminal	Connector	Terminal	
P0075	F50	59	F78	1	Existed
P0081			F79		Existed

P0078, P0084 EVT CONTROL SOLENOID VALVE

[VQ35DE]

< DTC/CIRCUIT DIAGNOSIS >

4. Also check harness for short to ground.

Is the inspection result normal?

- YES >> Perform the trouble diagnosis for power supply circuit.
- NO >> Repair or replace error-detected parts.

Component Inspection

INFOID:0000000011939758

1. CHECK EXHAUST VALVE TIMING CONTROL SOLENOID VALVE - 1

1. Turn ignition switch OFF.
2. Disconnect exhaust valve timing control solenoid valve harness connector.
3. Check resistance between exhaust valve timing control solenoid valve terminals as follows.

Exhaust valve timing control solenoid valve		Condition		Resistance
+	-			
Terminal				
2	1	Temperature	20°C (68°F)	7.0 – 7.8 Ω
1	Ground			∞ (Continuity should not exist)
2				

Is the inspection result normal?

- YES >> GO TO 2.
- NO >> Replace malfunctioning exhaust valve timing control solenoid valve. Refer to [EM-55. "Exploded View"](#).

2. CHECK EXHAUST VALVE TIMING CONTROL SOLENOID VALVE - 2

1. Remove exhaust valve timing control solenoid valve. Refer to [EM-55. "Exploded View"](#).
2. Apply 12 V between exhaust valve timing control solenoid valve terminals 1 and 2, and then interrupt it. Check that the plunger moves as shown in the figure.

CAUTION:

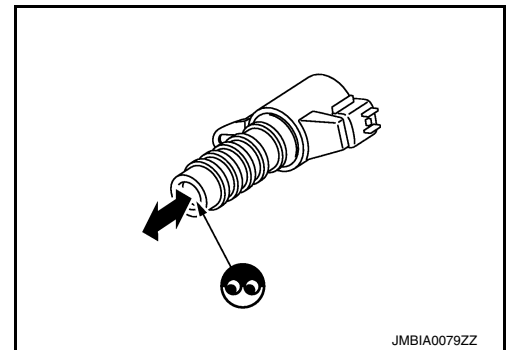
Never apply 12 V continuously for 5 seconds or more. Doing so may result in damage to the coil in exhaust valve timing control solenoid valve.

NOTE:

Always replace O-ring when exhaust valve timing control solenoid valve is removed.

Is the inspection result normal?

- YES >> INSPECTION END
- NO >> Replace malfunctioning exhaust valve timing control solenoid valve. Refer to [EM-55. "Exploded View"](#).



P0101 MAF SENSOR

< DTC/CIRCUIT DIAGNOSIS >

[VQ35DE]

P0101 MAF SENSOR

DTC Description

INFOID:0000000011939759

DTC DETECTION LOGIC

1. A high voltage from the sensor is sent to ECM under light load driving condition.
2. A low voltage from the sensor is sent to ECM under heavy load driving condition.

DTC	CONSULT screen terms (Trouble diagnosis content)	DTC detection condition		
P0101	MAF SEN/CIRCUIT-B1 (Mass or volume air flow "A" circuit range/performance)	1	Diagnosis condition	—
			Signal (terminal)	Voltage signal transmitted from MAF sensor to ECM
			Threshold	A high voltage from the sensor is sent to ECM under light load driving condition
			Diagnosis delay time	—
		2	Diagnosis condition	—
			Signal (terminal)	Voltage signal transmitted from MAF sensor to ECM
			Threshold	A low voltage from the sensor is sent to ECM under heavy load driving condition
			Diagnosis delay time	—

POSSIBLE CAUSE

- Harness and connectors (The sensor circuit is open or shorted.)
- Intake air leaks
- MAF sensor
- EVAP control system pressure sensor
- Intake air temperature sensor

FAIL-SAFE

Engine operating condition in fail-safe mode	
Fail safe mode	Vehicle behavior
Mass air flow sensor circuit	Engine speed will not rise more than 2,400 rpm due to the fuel cut.

DTC CONFIRMATION PROCEDURE

1. CHECK DTC PRIORITY

If DTC P0101 is displayed with other DTC, first perform the trouble diagnosis for other DTC.

Is applicable DTC detected?

YES >> Perform diagnosis of applicable. Refer to [EC-107, "DTC Index"](#).

NO >> GO TO 2.

2. PRECONDITIONING

If DTC CONFIRMATION PROCEDURE has been previously conducted, always perform the following procedure before conducting the next test.

1. Turn ignition switch OFF and wait at least 10 seconds.
2. Turn ignition switch ON.
3. Turn ignition switch OFF and wait at least 10 seconds.

>> GO TO 3.

3. PERFORM DTC CONFIRMATION PROCEDURE

1. Start engine and warm it up to normal operating temperature.
2. Drive the vehicle for at least 5 seconds under the following conditions:

CAUTION:

P0101 MAF SENSOR

[VQ35DE]

< DTC/CIRCUIT DIAGNOSIS >

Always drive vehicle at safe speed.

Selector lever	Suitable position
Vehicle speed	40 km/h (25 MPH) or more

NOTE:

- The gear must be fixed while driving the vehicle.
- Keep the accelerator pedal as steady as possible during cruising.

3. Check 1st trip DTC.

Is 1st trip DTC detected?

- YES >> Proceed to [EC-222, "Diagnosis Procedure"](#).
NO-1 >> To check malfunction symptom before repair: Refer to [GI-41, "Intermittent Incident"](#).
NO-2 >> Confirmation after repair: INSPECTION END

Diagnosis Procedure

INFOID:0000000011939760

1. CHECK DTC PRIORITY

If DTC P0101 is displayed with other DTC, first perform the trouble diagnosis for other DTC.

Is applicable DTC detected?

- YES >> Perform diagnosis of applicable. Refer to [EC-107, "DTC Index"](#).
NO >> GO TO 2.

2. CHECK INTAKE SYSTEM

Check the following for connection.

- Air duct
- Vacuum hoses
- Intake air passage between air duct and intake manifold

Is the inspection result normal?

- YES >> GO TO 3.
NO >> Reconnect the parts.

3. CHECK MASS AIR FLOW (MAF) SENSOR POWER SUPPLY

1. Disconnect MAF sensor harness connector.
2. Turn ignition switch ON.
3. Check the voltage between MAF sensor harness connector and ground.

+		-	Voltage
MAF sensor			
Connector	Terminal		
F31	1	Ground	Approx. 5 V

Is the inspection result normal?

- YES >> GO TO 5.
NO >> GO TO 4.

4. CHECK MASS AIR FLOW (MAF) SENSOR POWER SUPPLY CIRCUIT

1. Turn ignition switch OFF.
2. Disconnect ECM harness connector.
3. Check the continuity between MAF sensor harness connector and ECM harness connector.

MAF sensor		ECM		Continuity
Connector	Terminal	Connector	Terminal	
F31	1	F13	28	Existed

Is the inspection result normal?

- YES >> INSPECTION END
NO >> Repair or replace error-detected parts.

P0101 MAF SENSOR

[VQ35DE]

< DTC/CIRCUIT DIAGNOSIS >

5. CHECK MAF SENSOR GROUND CIRCUIT

1. Turn ignition switch OFF.
2. Disconnect ECM harness connector.
3. Check the continuity between MAF sensor harness connector and ECM harness connector.

MAF sensor		ECM		Continuity
Connector	Terminal	Connector	Terminal	
F31	2	F13	40	Existed

4. Also check harness for short to ground and short to power.

Is the inspection result normal?

YES >> GO TO 6.

NO >> Repair open circuit or short to ground or short to power in harness or connectors.

6. CHECK MAF SENSOR INPUT SIGNAL CIRCUIT

1. Check the continuity between MAF sensor harness connector and ECM harness connector.

MAF sensor		ECM		Continuity
Connector	Terminal	Connector	Terminal	
F31	3	F13	38	Existed

2. Also check harness for short to ground and short to power.

Is the inspection result normal?

YES >> GO TO 7.

NO >> Repair open circuit or short to ground or short to power in harness or connectors.

7. CHECK INTAKE AIR TEMPERATURE SENSOR

Check intake air temperature sensor. Refer to [EC-223, "Component Inspection"](#).

Is the inspection result normal?

YES >> GO TO 8.

NO >> Replace MAF sensor (with intake air temperature sensor).

8. CHECK EVAP CONTROL SYSTEM PRESSURE SENSOR

Check EVAP control system pressure sensor. Refer to [EC-365, "Component Inspection"](#).

Is the inspection result normal?

YES >> GO TO 9.

NO >> Replace EVAP control system pressure sensor.

9. CHECK MAF SENSOR

Check MAF sensor. Refer to [EC-223, "Component Inspection"](#).

Is the inspection result normal?

YES >> INSPECTION END

NO >> Replace MAF sensor. Refer to [EM-26, "Removal and Installation"](#).

Component Inspection

INFOID:000000011939761

1. CHECK MASS AIR FLOW (MAF) SENSOR-I

Ⓜ With CONSULT

1. Turn ignition switch OFF.
2. Reconnect all harness connectors disconnected.
3. Start engine and warm it up to normal operating temperature.
4. Connect CONSULT and select "DATA MONITOR" mode.
5. Select "MASS AIR FLOW SENSOR (Hz)" and check the indication.

P0101 MAF SENSOR

< DTC/CIRCUIT DIAGNOSIS >

[VQ35DE]

Monitor item	Condition	Indication
MASS AIR FLOW SENSOR (Hz)	Ignition switch ON (Engine stopped.)	Approx. 3,720 Hz
	Idle (Engine is warmed-up to normal operating temperature.)	3,900 – 4,500 Hz
	Idle to about 4,000 rpm	3,900 – 4,500 to Approx. 8,000 Hz*

*: Check for linear frequency rise in response to engine being increased to about 4,000 rpm.

Without CONSULT

1. Turn ignition switch OFF.
2. Reconnect all harness connectors disconnected.
3. Start engine and warm it up to normal operating temperature.
4. Check the frequency between ECM harness connector terminals under the following conditions.

Connector	ECM		Condition	Frequency
	+	-		
	Terminal			
F13	38	40	Ignition switch ON (Engine stopped.)	Approx. 3,720 Hz
			Idle (Engine is warmed-up to normal operating temperature.)	3,900 – 4,500 Hz
			Idle to about 4,000 rpm	3,900 – 4,500 to Approx. 8,000 Hz*

*: Check for linear frequency rise in response to engine being increased to about 4,000 rpm.

Is the inspection result normal?

- YES >> GO TO 4.
 NO >> GO TO 2.

2.CHECK FOR THE CAUSE OF UNEVEN AIR FLOW THROUGH MAF SENSOR

1. Turn ignition switch OFF.
2. Check for the cause of uneven air flow through MAF sensor. Refer to the following.
 - Crushed air ducts
 - Malfunctioning seal of air cleaner element
 - Uneven dirt of air cleaner element
 - Improper specification of intake air system parts

Is the inspection result normal?

- YES >> GO TO 4.
 NO >> GO TO 3.

3.CHECK MAF SENSOR-II

With CONSULT

1. Repair or replace malfunctioning part.
2. Start engine and warm it up to normal operating temperature.
3. Connect CONSULT and select "DATA MONITOR" mode.
4. Select "MASS AIR FLOW SENSOR (Hz)" and check the indication.

Monitor item	Condition	Indication
MASS AIR FLOW SENSOR (Hz)	Ignition switch ON (Engine stopped.)	Approx. 3,720 Hz
	Idle (Engine is warmed-up to normal operating temperature.)	3,900 – 4,500 Hz
	Idle to about 4,000 rpm	3,900 – 4,500 to Approx. 8,000 Hz*

*: Check for linear frequency rise in response to engine being increased to about 4,000 rpm.

Without CONSULT

1. Repair or replace malfunctioning part.
2. Start engine and warm it up to normal operating temperature.
3. Check the frequency between ECM harness connector terminals under the following conditions.

P0101 MAF SENSOR

< DTC/CIRCUIT DIAGNOSIS >

[VQ35DE]

ECM			Condition	Frequency
Connector	+	-		
	Terminal			
F13	38	40	Ignition switch ON (Engine stopped.)	Approx. 3,720 Hz
			Idle (Engine is warmed-up to normal operating temperature.)	3,900 – 4,500 Hz
			Idle to about 4,000 rpm	3,900 – 4,500 to Approx. 8,000 Hz*

*: Check for linear frequency rise in response to engine being increased to about 4,000 rpm.

Is the inspection result normal?

- YES >> INSPECTION END
 NO >> GO TO 4.

4. CHECK MAF SENSOR-III

With CONSULT

1. Turn ignition switch OFF.
2. Disconnect MAF sensor harness connector and reconnect it again.
3. Start engine and warm it up to normal operating temperature.
4. Connect CONSULT and select "DATA MONITOR" mode.
5. Select "MASS AIR FLOW SENSOR (Hz)" and check the indication.

Monitor item	Condition	Indication
MASS AIR FLOW SENSOR (Hz)	Ignition switch ON (Engine stopped.)	Approx. 3,720 Hz
	Idle (Engine is warmed-up to normal operating temperature.)	3,900 – 4,500 Hz
	Idle to about 4,000 rpm	3,900 – 4,500 to Approx. 8,000 Hz*

*: Check for linear frequency rise in response to engine being increased to about 4,000 rpm.

Without CONSULT

1. Turn ignition switch OFF.
2. Disconnect MAF sensor harness connector and reconnect it again.
3. Start engine and warm it up to normal operating temperature.
4. Check the frequency between ECM harness connector terminals under the following conditions.

ECM			Condition	Frequency
Connector	+	-		
	Terminal			
F13	38	40	Ignition switch ON (Engine stopped.)	Approx. 3,720 Hz
			Idle (Engine is warmed-up to normal operating temperature.)	3,900 – 4,500 Hz
			Idle to about 4,000 rpm	3,900 – 4,500 to Approx. 8,000 Hz*

*: Check for linear frequency rise in response to engine being increased to about 4,000 rpm.

Is the inspection result normal?

- YES >> INSPECTION END
 NO >> Clean or replace MAF sensor. Refer to [EM-26, "Removal and Installation"](#).

P0102, P0103 MAF SENSOR

< DTC/CIRCUIT DIAGNOSIS >

[VQ35DE]

P0102, P0103 MAF SENSOR

DTC Description

INFOID:000000011939762

DTC DETECTION LOGIC

- An excessively low voltage from the sensor is sent to ECM.
- An excessively high voltage from the sensor is sent to ECM.

DTC	CONSULT screen terms (Trouble diagnosis content)	DTC detection condition	
		Diagnosis condition	Signal (terminal)
P0102	MAF SEN/CIRCUIT-B1 (Mass or volume air flow "A" circuit low input)	Diagnosis condition	Start engine and let it idle
		Signal (terminal)	Voltage signal transmitted from mass air flow sensor to ECM
		Threshold	An excessively low voltage from the sensor is sent to ECM
		Diagnosis delay time	—
P0103	MAF SEN/CIRCUIT-B1 (Mass or volume air flow "A" circuit high input)	Diagnosis condition	<ul style="list-style-type: none"> • Ignition switch ON • Start engine and let it idle
		Signal (terminal)	Voltage signal transmitted from mass air flow sensor to ECM
		Threshold	An excessively high voltage from the sensor is sent to ECM
		Diagnosis delay time	—

POSSIBLE CAUSE

P0102

- Harness or connectors (The sensor circuit is open or shorted.)
- Intake air leakage
- Mass air flow sensor

P0103

- Harness or connectors (The sensor circuit is open or shorted.)
- Mass air flow sensor

FAIL-SAFE

Engine operating condition in fail-safe mode	
Fail safe mode	Vehicle behavior
Mass air flow sensor circuit	Engine speed will not rise more than 2,400 rpm due to the fuel cut.

DTC CONFIRMATION PROCEDURE

1. CHECK DTC PRIORITY

If DTC P0102 or P0103 is displayed with another DTC P0643, first perform the trouble diagnosis for DTC P0643.

Is applicable DTC detected?

- YES >> Perform diagnosis of applicable. Refer to [EC-424, "DTC Description"](#).
 NO >> GO TO 2.

2. PRECONDITIONING

If DTC Confirmation Procedure has been previously conducted, always perform the following before conducting the next test.

1. Turn ignition switch OFF and wait at least 10 seconds.
2. Turn ignition switch ON.
3. Turn ignition switch OFF and wait at least 10 seconds.

Which DTC is detected?

- P0102 >> GO TO 3.

P0102, P0103 MAF SENSOR

[VQ35DE]

< DTC/CIRCUIT DIAGNOSIS >

P0103 >> GO TO 4.

3.PERFORM DTC CONFIRMATION PROCEDURE FOR DTC P0102

1. Start engine and wait at least 5 seconds.
2. Check DTC.

Is DTC detected?

- YES >> Proceed to [EC-227, "Diagnosis Procedure"](#).
NO >> INSPECTION END

4.PERFORM DTC CONFIRMATION PROCEDURE FOR DTC P0103-I

1. Turn ignition switch ON and wait at least 5 seconds.
2. Check DTC.

Is DTC detected?

- YES >> Proceed to [EC-227, "Diagnosis Procedure"](#).
NO >> GO TO 5.

5.PERFORM DTC CONFIRMATION PROCEDURE FOR DTC P0103-II

1. Start engine and wait at least 5 seconds.
2. Check DTC.

Is DTC detected?

- YES >> Proceed to [EC-227, "Diagnosis Procedure"](#).
NO-1 >> To check malfunction symptom before repair: Refer to [GI-41, "Intermittent Incident"](#).
NO-2 >> Confirmation after repair: INSPECTION END

Diagnosis Procedure

INFOID:0000000011939763

1.CHECK DTC PRIORITY

If DTC P0102 or P0103 is displayed with another DTC P0643, first perform the trouble diagnosis for DTC P0643.

Is applicable DTC detected?

- YES >> Perform diagnosis of applicable. Refer to [EC-424, "DTC Description"](#).
NO >> GO TO 2.

2.INSPECTION START

Confirm the detected DTC.

Which DTC is detected?

- P0102 >> GO TO 3.
P0103 >> GO TO 4.

3.CHECK INTAKE SYSTEM

Check the following for connection.

- Air duct
- Vacuum hoses
- Intake air passage between air duct to intake manifold

Is the inspection result normal?

- YES >> GO TO 4.
NO >> Reconnect the parts.

4.CHECK MAF SENSOR POWER SUPPLY

1. Disconnect mass air flow (MAF) sensor harness connector.
2. Turn ignition switch ON.
3. Check the voltage between MAF sensor harness connector and ground.

P0102, P0103 MAF SENSOR

[VQ35DE]

< DTC/CIRCUIT DIAGNOSIS >

+		-	Voltage
MAF sensor			
Connector	Terminal		
F31	1	Ground	Approx. 5 V

Is the inspection result normal?

- YES >> GO TO 6.
- NO >> GO TO 5.

5. CHECK MASS AIR FLOW (MAF) SENSOR POWER SUPPLY CIRCUIT

1. Turn ignition switch OFF.
2. Disconnect ECM harness connector.
3. Check the continuity between MAF sensor harness connector and ECM harness connector.

MAF sensor		ECM		Continuity
Connector	Terminal	Connector	Terminal	
F31	1	F13	28	Existed

Is the inspection result normal?

- YES >> INSPECTION END
- NO >> Repair or replace error-detected parts.

6. CHECK MAF SENSOR GROUND CIRCUIT

1. Turn ignition switch OFF.
2. Disconnect ECM harness connector.
3. Check the continuity between MAF sensor harness connector and ECM harness connector.

MAF sensor		ECM		Continuity
Connector	Terminal	Connector	Terminal	
F31	2	F13	40	Existed

4. Also check harness for short to ground and short to power.

Is the inspection result normal?

- YES >> GO TO 7.
- NO >> Repair open circuit, short to ground or short to power in harness or connectors.

7. CHECK MAF SENSOR INPUT SIGNAL CIRCUIT

1. Check the continuity between MAF sensor harness connector and ECM harness connector.

MAF sensor		ECM		Continuity
Connector	Terminal	Connector	Terminal	
F31	3	F13	38	Existed

2. Also check harness for short to ground and short to power.

Is the inspection result normal?

- YES >> GO TO 8.
- NO >> Repair open circuit, short to ground or short to power in harness or connectors.

8. CHECK MASS AIR FLOW SENSOR

Check mass air flow sensor. Refer to [EC-229. "Component Inspection"](#).

Is the inspection result normal?

- YES >> INSPECTION END
- NO >> Replace mass air flow sensor. Refer to [EM-26. "Removal and Installation"](#).

P0102, P0103 MAF SENSOR

< DTC/CIRCUIT DIAGNOSIS >

[VQ35DE]

Component Inspection

INFOID:000000011939764

1. CHECK MASS AIR FLOW (MAF) SENSOR-I

With CONSULT

1. Turn ignition switch OFF.
2. Reconnect all harness connectors disconnected.
3. Start engine and warm it up to normal operating temperature.
4. Connect CONSULT and select "DATA MONITOR" mode.
5. Select "MASS AIR FLOW SENSOR (Hz)" and check the indication.

Monitor item	Condition	Indication
MASS AIR FLOW SENSOR (Hz)	Ignition switch ON (Engine stopped.)	Approx. 3,720 Hz
	Idle (Engine is warmed-up to normal operating temperature.)	3,900 – 4,500 Hz
	Idle to about 4,000 rpm	3,900 – 4,500 to Approx. 8,000 Hz*

*: Check for linear frequency rise in response to engine being increased to about 4,000 rpm.

Without CONSULT

1. Turn ignition switch OFF.
2. Reconnect all harness connectors disconnected.
3. Start engine and warm it up to normal operating temperature.
4. Check the frequency between ECM harness connector terminals under the following conditions.

Connector	ECM		Condition	Frequency
	+	-		
Terminal				
F13	38	40	Ignition switch ON (Engine stopped.)	Approx. 3,720 Hz
			Idle (Engine is warmed-up to normal operating temperature.)	3,900 – 4,500 Hz
			Idle to about 4,000 rpm	3,900 – 4,500 to Approx. 8,000 Hz*

*: Check for linear frequency rise in response to engine being increased to about 4,000 rpm.

Is the inspection result normal?

- YES >> GO TO 4.
NO >> GO TO 2.

2. CHECK FOR THE CAUSE OF UNEVEN AIR FLOW THROUGH MAF SENSOR

1. Turn ignition switch OFF.
2. Check for the cause of uneven air flow through MAF sensor. Refer to the following.
 - Crushed air ducts
 - Malfunctioning seal of air cleaner element
 - Uneven dirt of air cleaner element
 - Improper specification of intake air system parts

Is the inspection result normal?

- YES >> GO TO 4.
NO >> GO TO 3.

3. CHECK MAF SENSOR-II

With CONSULT

1. Repair or replace malfunctioning part.
2. Start engine and warm it up to normal operating temperature.
3. Connect CONSULT and select "DATA MONITOR" mode.
4. Select "MASS AIR FLOW SENSOR (Hz)" and check the indication.

P0102, P0103 MAF SENSOR

< DTC/CIRCUIT DIAGNOSIS >

[VQ35DE]

Monitor item	Condition	Indication (Hz)
MASS AIR FLOW SENSOR (Hz)	Ignition switch ON (Engine stopped.)	Approx. 3,720 Hz
	Idle (Engine is warmed-up to normal operating temperature.)	3,900 – 4,500 Hz
	Idle to about 4,000 rpm	3,900 – 4,500 to Approx. 8,000 Hz*

*: Check for linear frequency rise in response to engine being increased to about 4,000 rpm.

Without CONSULT

1. Repair or replace malfunctioning part.
2. Start engine and warm it up to normal operating temperature.
3. Check the frequency between ECM harness connector terminals under the following conditions.

ECM			Condition	Frequency (Hz)
Connector	+	-		
	Terminal			
F13	38	40	Ignition switch ON (Engine stopped.)	Approx. 3,720 Hz
			Idle (Engine is warmed-up to normal operating temperature.)	3,900 – 4,500 Hz
			Idle to about 4,000 rpm	3,900 – 4,500 to Approx. 8,000 Hz*

*: Check for linear frequency rise in response to engine being increased to about 4,000 rpm.

Is the inspection result normal?

- YES >> INSPECTION END
 NO >> GO TO 4.

4. CHECK MAF SENSOR-III

With CONSULT

1. Turn ignition switch OFF.
2. Disconnect MAF sensor harness connector and reconnect it again.
3. Start engine and warm it up to normal operating temperature.
4. Connect CONSULT and select "DATA MONITOR" mode.
5. Select "MASS AIR FLOW SENSOR (Hz)" and check the indication.

Monitor item	Condition	Indication (Hz)
MASS AIR FLOW SENSOR (Hz)	Ignition switch ON (Engine stopped.)	Approx. 3,720 Hz
	Idle (Engine is warmed-up to normal operating temperature.)	3,900 – 4,500 Hz
	Idle to about 4,000 rpm	3,900 – 4,500 to Approx. 8,000 Hz*

*: Check for linear frequency rise in response to engine being increased to about 4,000 rpm.

Without CONSULT

1. Turn ignition switch OFF.
2. Disconnect MAF sensor harness connector and reconnect it again.
3. Start engine and warm it up to normal operating temperature.
4. Check the frequency between ECM harness connector terminals under the following conditions.

ECM			Condition	Frequency (Hz)
Connector	+	-		
	Terminal			
F13	38	40	Ignition switch ON (Engine stopped.)	Approx. 3,720 Hz
			Idle (Engine is warmed-up to normal operating temperature.)	3,900 – 4,500 Hz
			Idle to about 4,000 rpm	3,900 – 4,500 to Approx. 8,000 Hz*

*: Check for linear frequency rise in response to engine being increased to about 4,000 rpm.

Is the inspection result normal?

P0102, P0103 MAF SENSOR

< DTC/CIRCUIT DIAGNOSIS >

[VQ35DE]

YES >> INSPECTION END

NO >> Clean or replace MAF sensor. Refer to [EM-26, "Removal and Installation"](#).

A

EC

C

D

E

F

G

H

I

J

K

L

M

N

O

P

P0111 IAT SENSOR

< DTC/CIRCUIT DIAGNOSIS >

[VQ35DE]

P0111 IAT SENSOR

DTC Description

INFOID:000000011939765

DTC DETECTION LOGIC

The comparison result of signals transmitted to ECM from each temperature sensor (IAT sensor, ECT sensor, FTT sensor, and EOT sensor) shows that the voltage signal of the IAT sensor is higher/lower than that of other temperature sensors when the engine is started with its cold state.

DTC	CONSULT screen terms (Trouble diagnosis content)	DTC detection condition	
		Diagnosis condition	—
P0111	IAT SENSOR 1 B1 (Intake air temperature sensor 1 circuit range/performance bank 1)	Signal (terminal)	Voltage signal transmitted from IAT sensor to ECM
		Threshold	The comparison result of signals transmitted to ECM from each temperature sensor (IAT sensor, ECT sensor, FTT sensor, and EOT sensor) shows that the voltage signal of the IAT sensor is higher/lower than that of other temperature sensors when the engine is started with its cold state
		Diagnosis delay time	—

POSSIBLE CAUSE

- Harness and connectors (High or low resistance in the IAT sensor circuit)
- IAT sensor

FAIL-SAFE

Not applicable

DTC CONFIRMATION PROCEDURE

1.INSPECTION START

Is it necessary to erase permanent DTC?

- YES >> GO TO 3.
NO >> GO TO 2.

2.CHECK INTAKE AIR TEMPERATURE (IAT) SENSOR

1. Turn ignition switch OFF.
2. Disconnect mass air flow sensor harness connector.
3. Check resistance between mass air flow sensor terminals as follows.

Terminals	Condition		Resistance (kΩ)
2 and 4	Temperature [°C (°F)]	25 (77)	1,800 – 2,200

Is the inspection result normal?

- YES >> INSPECTION END
NO >> Proceed to [EC-233, "Diagnosis Procedure"](#).

3.PRECONDITIONING

If DTC CONFIRMATION PROCEDURE has been previously conducted, always perform the following procedure before conducting the next test.

1. Turn ignition switch OFF and wait at least 10 seconds.
2. Turn ignition switch ON.
3. Turn ignition switch OFF and wait at least 10 seconds.

TESTING CONDITION:

- Before performing the following procedure, do not add fuel.
- Before performing the following procedure, check that fuel level is between 1/4 and 4/4.

P0111 IAT SENSOR

< DTC/CIRCUIT DIAGNOSIS >

[VQ35DE]

- Before performing the following procedure, confirm that battery voltage is 11 V or more at idle.

>> GO TO 4.

4.PERFORM DTC CONFIRMATION PROCEDURE

1. Move the vehicle to a cool place.

NOTE:

Cool the vehicle in an environment of ambient air temperature between -10°C (14°F) and 35°C (95°F).

2. Turn ignition switch OFF and leave the vehicle for 12 hours.

CAUTION:

Never turn ignition switch ON during this procedure.

NOTE:

The vehicle must be cooled with the hood open.

3. Start engine and let it idle for 5 minutes or more.

CAUTION:

Never turn ignition switch OFF during idling.

4. Check 1st trip DTC.

Is 1st trip DTC detected?

YES >> Proceed to [EC-233, "Diagnosis Procedure"](#).

NO-1 >> To check malfunction symptom before repair: Refer to [GI-41, "Intermittent Incident"](#).

NO-2 >> Confirmation after repair: INSPECTION END

Diagnosis Procedure

INFOID:0000000011939766

1.CHECK INTAKE AIR TEMPERATURE (IAT) SENSOR

Check intake air temperature sensor. Refer to [EC-233, "Component Inspection"](#).

Is the inspection result normal?

YES >> INSPECTION END

NO >> Replace mass air flow sensor. Refer to [EM-26, "Removal and Installation"](#).

Component Inspection

INFOID:0000000011939767

1.CHECK INTAKE AIR TEMPERATURE SENSOR

1. Turn ignition switch OFF.
2. Disconnect mass air flow sensor harness connector and reconnect it again.
3. Turn ignition switch ON.
4. Select "DATA MONITOR" mode with CONSULT.
5. Check that the indicated value of "INT/A TEMP SEN" is almost the same as intake air temperature.

Is the inspection result normal?

YES >> INSPECTION END

NO >> Replace mass air flow sensor (with intake air temperature sensor). Refer to [EM-26, "Removal and Installation"](#).

P0112, P0113 IAT SENSOR

< DTC/CIRCUIT DIAGNOSIS >

[VQ35DE]

P0112, P0113 IAT SENSOR

DTC Description

INFOID:000000011939768

DTC DETECTION LOGIC

- An excessively low voltage from the sensor is sent to ECM.
- An excessively high voltage from the sensor is sent to ECM.

DTC	CONSULT screen terms (Trouble diagnosis content)	DTC detection condition	
P0112	IAT SEN/CIRCUIT-B1 (Intake air temperature sensor 1 circuit low bank 1)	Diagnosis condition	Ignition switch ON
		Signal (terminal)	Voltage signal transmitted from intake air temperature sensor to ECM
		Threshold	An excessively low voltage from the sensor is sent to ECM
		Diagnosis delay time	—
P0113	IAT SEN/CIRCUIT-B1 (Intake air temperature sensor 1 circuit high bank 1)	Diagnosis condition	Ignition switch ON
		Signal (terminal)	Voltage signal transmitted from intake air temperature sensor to ECM
		Threshold	An excessively high voltage from the sensor is sent to ECM
		Diagnosis delay time	—

POSSIBLE CAUSE

P0112

- Harness and connectors (The sensor circuit is open or shorted.)
- Intake air temperature sensor

P0113

- Harness and connectors (The sensor circuit is open or shorted.)
- Intake air temperature sensor

FAIL-SAFE

Not applicable

DTC CONFIRMATION PROCEDURE

1. PRECONDITIONING

If DTC Confirmation Procedure has been previously conducted, always perform the following before conducting the next test.

1. Turn ignition switch OFF and wait at least 10 seconds.
2. Turn ignition switch ON.
3. Turn ignition switch OFF and wait at least 10 seconds.

>> GO TO 2.

2. PERFORM DTC CONFIRMATION PROCEDURE

1. Turn ignition switch ON and wait at least 5 seconds.
2. Check 1st trip DTC.

Is 1st trip DTC detected?

YES >> Proceed to [EC-234, "Diagnosis Procedure"](#).

NO-1 >> To check malfunction symptom before repair: Refer to [GI-41, "Intermittent Incident"](#).

NO-2 >> Confirmation after repair: INSPECTION END

Diagnosis Procedure

INFOID:000000011939769

1. CHECK INTAKE AIR TEMPERATURE SENSOR POWER SUPPLY

P0112, P0113 IAT SENSOR

[VQ35DE]

< DTC/CIRCUIT DIAGNOSIS >

1. Disconnect mass air flow sensor (with intake air temperature sensor) harness connector.
2. Turn ignition switch ON.
3. Check the voltage between mass air flow sensor harness connector and ground.

+		-	Voltage
MAF sensor			
Connector	Terminal		
F31	4	Ground	Approx. 5 V

Is the inspection result normal?

YES >> GO TO 2.

NO >> Repair open circuit, short to ground or short to power in harness or connectors.

2. CHECK INTAKE AIR TEMPERATURE SENSOR GROUND CIRCUIT FOR OPEN AND SHORT

1. Turn ignition switch OFF.
2. Disconnect ECM harness connector.
3. Check the continuity between mass air flow sensor harness connector and ECM harness connector.

MAF sensor		ECM		Continuity
Connector	Terminal	Connector	Terminal	
F31	2	F13	40	Existed

4. Also check harness for short to ground and short to power.

Is the inspection result normal?

YES >> GO TO 3.

NO >> Repair open circuit, short to ground or short to power in harness or connectors.

3. CHECK INTAKE AIR TEMPERATURE SENSOR

Check intake air temperature sensor. Refer to [EC-235, "Component Inspection"](#).

Is the inspection result normal?

YES >> INSPECTION END

NO >> Replace mass air flow sensor. Refer to [EM-26, "Removal and Installation"](#).

Component Inspection

INFOID:000000011939770

1. CHECK INTAKE AIR TEMPERATURE SENSOR

1. Turn ignition switch OFF.
2. Disconnect mass air flow sensor harness connector and reconnect it again.
3. Turn ignition switch ON.
4. On CONSULT screen, select "ENGINE" >> "DATA MONITOR" >> "INT/A TEMP SEN".
5. Check that the indicated value of "INT/A TEMP SEN" is almost the same as intake air temperature.

Is the inspection result normal?

YES >> INSPECTION END

NO >> Replace mass air flow sensor. Refer to [EM-26, "Removal and Installation"](#).

P0116 ECT SENSOR

< DTC/CIRCUIT DIAGNOSIS >

[VQ35DE]

P0116 ECT SENSOR

DTC Description

INFOID:000000011939771

DTC DETECTION LOGIC

The comparison result of signals transmitted to ECM from each temperature sensor (IAT sensor, ECT sensor, FTT sensor, and EOT sensor) shows that the voltage signal of the ECT sensor is higher/lower than that of other temperature sensors when the engine is started with its cold state.

DTC	CONSULT screen terms (Trouble diagnosis content)	DTC detection condition	
		Diagnosis condition	Signal (terminal)
P0116	ECT SEN/CIRC (Engine coolant temperature sensor 1 circuit range/performance)	Diagnosis condition	—
		Signal (terminal)	Voltage signal transmitted from ECT sensor to ECM
		Threshold	The comparison result of signals transmitted to ECM from each temperature sensor (IAT sensor, ECT sensor, FTT sensor, and EOT sensor) shows that the voltage signal of the ECT sensor is higher/lower than that of other temperature sensors when the engine is started with its cold state
		Diagnosis delay time	—

POSSIBLE CAUSE

- Harness and connectors (High or low resistance in the ECT sensor circuit)
- ECT sensor

FAIL-SAFE

Not applicable

DTC CONFIRMATION PROCEDURE

1. INSPECTION START

Is it necessary to erase permanent DTC?

- YES >> GO TO 3.
NO >> GO TO 2.

2. CHECK ENGINE COOLANT TEMPERATURE (ECT) SENSOR

1. Turn ignition switch OFF.
2. Disconnect ECT sensor harness connector.
3. Remove ECT sensor. Refer to [CO-25. "Removal and Installation"](#).
4. Check resistance between ECT sensor terminals by heating with hot water as shown in the figure.

Terminals	Condition	Resistance (kΩ)	
1 and 2	Temperature [°C (°F)]	20 (68)	2.37 – 2.63
		50 (122)	0.68 – 1.00
		90 (194)	0.236 – 0.260

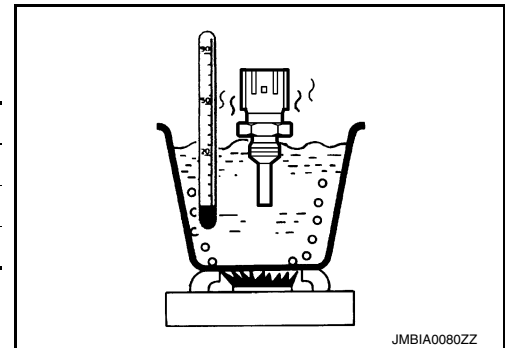
Is the inspection result normal?

- YES >> INSPECTION END
NO >> Proceed to [EC-237. "Diagnosis Procedure"](#).

3. PRECONDITIONING

If DTC CONFIRMATION PROCEDURE has been previously conducted, always perform the following procedure before conducting the next test.

1. Turn ignition switch OFF and wait at least 10 seconds.
2. Turn ignition switch ON.



P0116 ECT SENSOR

[VQ35DE]

< DTC/CIRCUIT DIAGNOSIS >

3. Turn ignition switch OFF and wait at least 10 seconds.

TESTING CONDITION:

- Before performing the following procedure, do not add fuel.
- Before performing the following procedure, check that fuel level is between 1/4 and 4/4.
- Before performing the following procedure, confirm that battery voltage is 11 V or more at idle.

>> GO TO 4.

4. PERFORM DTC CONFIRMATION PROCEDURE

1. Move the vehicle to a cool place.

NOTE:

Cool the vehicle in an environment of ambient air temperature between -10°C (14°F) and 35°C (95°F).

2. Turn ignition switch OFF and leave the vehicle for 12 hours.

CAUTION:

Never turn ignition switch ON during this procedure.

NOTE:

The vehicle must be cooled with the hood open.

3. Start engine and let it idle for 20 minutes or more.

CAUTION:

Never turn ignition switch OFF during idling.

4. Check 1st trip DTC.

Is 1st trip DTC detected?

YES >> Proceed to [EC-237, "Diagnosis Procedure"](#).

NO-1 >> To check malfunction symptom before repair: Refer to [GI-41, "Intermittent Incident"](#).

NO-2 >> Confirmation after repair: INSPECTION END

Diagnosis Procedure

INFOID:000000011939772

1. CHECK ENGINE COOLANT TEMPERATURE (ECT) SENSOR

Check ECT sensor. Refer to [EC-237, "Component Inspection"](#).

Is the inspection result normal?

YES >> INSPECTION END

NO >> Replace ECT sensor. Refer to [CO-25, "Exploded View"](#).

Component Inspection

INFOID:000000011939773

1. CHECK ENGINE COOLANT TEMPERATURE SENSOR

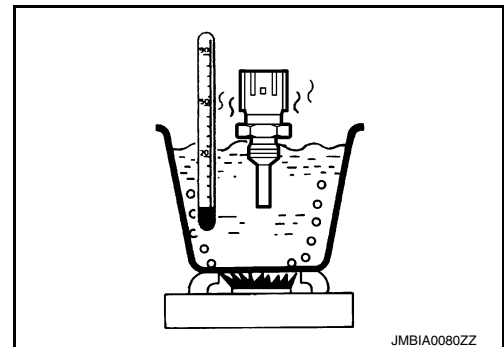
1. Turn ignition switch OFF.

2. Disconnect engine coolant temperature sensor harness connector.

3. Remove engine coolant temperature sensor. Refer to [CO-25, "Removal and Installation"](#).

4. Check resistance between engine coolant temperature sensor terminals as per the following.

ECT sensor		Condition	Resistance (k Ω)
+	-		
Terminal			
1	2	Temperature [$^{\circ}\text{C}$ ($^{\circ}\text{F}$)]	20 (68) 2.37 - 2.63
			50 (122) 0.68 - 1.00
			90 (194) 0.236 - 0.260



Is the inspection result normal?

YES >> INSPECTION END

NO >> Replace engine coolant temperature sensor. Refer to [CO-25, "Removal and Installation"](#).

P0117, P0118 ECT SENSOR

< DTC/CIRCUIT DIAGNOSIS >

[VQ35DE]

P0117, P0118 ECT SENSOR

DTC Description

INFOID:000000011939774

DTC DETECTION LOGIC

- An excessively low voltage from the sensor is sent to ECM.
- An excessively high voltage from the sensor is sent to ECM.

DTC	CONSULT screen terms (Trouble diagnosis content)	DTC detection condition	
		Diagnosis condition	Signal (terminal)
P0117	ECT SEN/CIRC (Engine coolant temperature sensor 1 circuit low)	Diagnosis condition	Ignition switch ON
		Signal (terminal)	Voltage signal transmitted from engine coolant temperature sensor to ECM
		Threshold	An excessively low voltage from the sensor is sent to ECM
		Diagnosis delay time	—
P0118	ECT SEN/CIRC (Engine coolant temperature sensor 1 circuit high)	Diagnosis condition	Ignition switch ON
		Signal (terminal)	Voltage signal transmitted from engine coolant temperature sensor to ECM
		Threshold	An excessively high voltage from the sensor is sent to ECM
		Diagnosis delay time	—

POSSIBLE CAUSE

P0117

- Harness or connectors (The sensor circuit is open or shorted.)
- Engine coolant temperature sensor

P0118

- Harness or connectors (The sensor circuit is open or shorted.)
- Engine coolant temperature sensor

FAIL-SAFE

Engine operating condition in fail-safe mode									
Fail safe mode	Vehicle behavior								
Engine coolant temperature sensor circuit	Engine coolant temperature will be determined by ECM based on the following condition. CONSULT displays the engine coolant temperature decided by ECM.								
	<table border="1"> <thead> <tr> <th>Condition</th> <th>Engine coolant temperature decided (CONSULT display)</th> </tr> </thead> <tbody> <tr> <td>Just as ignition switch is turned ON or START</td> <td>40°C (104°F)</td> </tr> <tr> <td>Approx 4 minutes or more after engine starting</td> <td>80°C (176°F)</td> </tr> <tr> <td>Except as shown above</td> <td>40 - 80°C (104 - 176°F) (Depends on the time)</td> </tr> </tbody> </table>	Condition	Engine coolant temperature decided (CONSULT display)	Just as ignition switch is turned ON or START	40°C (104°F)	Approx 4 minutes or more after engine starting	80°C (176°F)	Except as shown above	40 - 80°C (104 - 176°F) (Depends on the time)
	Condition	Engine coolant temperature decided (CONSULT display)							
	Just as ignition switch is turned ON or START	40°C (104°F)							
	Approx 4 minutes or more after engine starting	80°C (176°F)							
Except as shown above	40 - 80°C (104 - 176°F) (Depends on the time)								
When the fail-safe system for engine coolant temperature sensor is activated, the cooling fan operates while engine is running.									

DTC CONFIRMATION PROCEDURE

1. PRECONDITIONING

If DTC Confirmation Procedure has been previously conducted, always perform the following before conducting the next test.

1. Turn ignition switch OFF and wait at least 10 seconds.
2. Turn ignition switch ON.
3. Turn ignition switch OFF and wait at least 10 seconds.

P0117, P0118 ECT SENSOR

< DTC/CIRCUIT DIAGNOSIS >

[VQ35DE]

>> GO TO 2.

2. PERFORM DTC CONFIRMATION PROCEDURE

1. Turn ignition switch ON and wait at least 5 seconds.
2. Check DTC.

Is DTC detected?

- YES >> Proceed to [EC-239, "Diagnosis Procedure"](#).
NO-1 >> To check malfunction symptom before repair: Refer to [GI-41, "Intermittent Incident"](#).
NO-2 >> Confirmation after repair: INSPECTION END

Diagnosis Procedure

INFOID:000000011939775

1. CHECK ECT SENSOR POWER SUPPLY

1. Disconnect engine coolant temperature (ECT) sensor harness connector.
2. Turn ignition switch ON.
3. Check the voltage between ECT sensor harness connector and ground.

+		-	Voltage
ECT sensor			
Connector	Terminal		
F11	1	Ground	Approx. 5 V

Is the inspection result normal?

- YES >> GO TO 2.
NO >> Repair open circuit, short to ground or short to power in harness or connectors.

2. CHECK ECT SENSOR GROUND CIRCUIT

1. Turn ignition switch OFF.
2. Disconnect ECM harness connector.
3. Check the continuity between ECT sensor harness connector and ECM harness connector.

ECT sensor		ECM		Continuity
Connector	Terminal	Connector	Terminal	
F11	2	F13	35	Existed

4. Also check harness for short to ground and short to power.

Is the inspection result normal?

- YES >> GO TO 3.
NO >> Repair open circuit, short to ground or short to power in harness or connectors.

3. CHECK ENGINE COOLANT TEMPERATURE SENSOR

Check engine coolant temperature sensor. Refer to [EC-239, "Component Inspection"](#).

Is the inspection result normal?

- YES >> INSPECTION END
NO >> Replace engine coolant temperature sensor. Refer to [CO-25, "Exploded View"](#).

Component Inspection

INFOID:000000011939776

1. CHECK ENGINE COOLANT TEMPERATURE SENSOR

1. Turn ignition switch OFF.
2. Disconnect engine coolant temperature sensor harness connector.
3. Remove engine coolant temperature sensor. Refer to [CO-25, "Removal and Installation"](#).

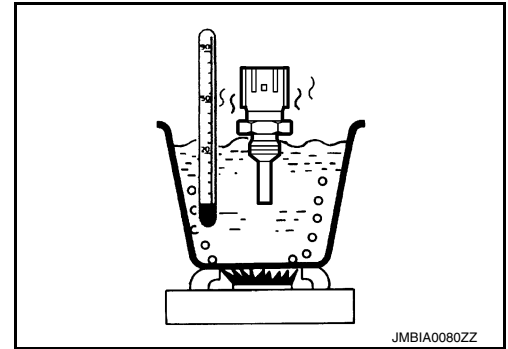
P0117, P0118 ECT SENSOR

[VQ35DE]

< DTC/CIRCUIT DIAGNOSIS >

4. Check resistance between engine coolant temperature sensor terminals as per the following.

ECT sensor		Condition	Resistance (kΩ)
+	-		
Terminal			
1	2	20 (68)	2.37 - 2.63
		50 (122)	0.68 - 1.00
		90 (194)	0.236 - 0.260



Is the inspection result normal?

YES >> INSPECTION END

NO >> Replace engine coolant temperature sensor. Refer to [CO-25, "Removal and Installation"](#).

P0122, P0123 TP SENSOR

< DTC/CIRCUIT DIAGNOSIS >

[VQ35DE]

P0122, P0123 TP SENSOR

DTC Description

INFOID:0000000011939777

DTC DETECTION LOGIC

- An excessively low voltage from the TP sensor 2 is sent to ECM.
- An excessively high voltage from the TP sensor 2 is sent to ECM.

DTC	CONSULT screen terms (Trouble diagnosis content)	DTC detection condition	
		Diagnosis condition	Signal (terminal)
P0122	TP SEN 2/CIRC-B1 (Throttle/Pedal position sensor/switch "A" circuit low)	Diagnosis condition	Start engine and let it idle
		Signal (terminal)	Voltage signal transmitted from TP sensor 2 to ECM
		Threshold	An excessively low voltage from the TP sensor 2 is sent to ECM
		Diagnosis delay time	—
P0123	TP SEN 2/CIRC-B1 (Throttle/Pedal position sensor/switch "A" circuit high)	Diagnosis condition	Start engine and let it idle
		Signal (terminal)	Voltage signal transmitted from TP sensor 2 to ECM
		Threshold	An excessively high voltage from the TP sensor 2 is sent to ECM
		Diagnosis delay time	—

POSSIBLE CAUSE

P0122

- Harness or connectors (TP sensor 2 circuit is open or shorted.)
- Electric throttle control actuator (TP sensor 2)

P0123

- Harness or connectors (TP sensor 2 circuit is open or shorted.)
- Electric throttle control actuator (TP sensor 2)

FAIL-SAFE

Engine operating condition in fail-safe mode	
Fail safe mode	Vehicle behavior
Throttle position sensor	The ECM controls the electric throttle control actuator in regulating the throttle opening in order for the idle position to be within +10 degrees. The ECM regulates the opening speed of the throttle valve to be slower than the normal condition. Therefore, the acceleration will be poor.

DTC CONFIRMATION PROCEDURE

1. CHECK DTC PRIORITY

If DTC P0122 or P0123 is displayed with another DTC P0643, first perform the trouble diagnosis for DTC P0643.

Is applicable DTC detected?

- YES >> Perform diagnosis of applicable. Refer to [EC-424, "DTC Description"](#).
NO >> GO TO 2.

2. PRECONDITIONING

If DTC Confirmation Procedure has been previously conducted, always perform the following before conducting the next test.

1. Turn ignition switch OFF and wait at least 10 seconds.
2. Turn ignition switch ON.
3. Turn ignition switch OFF and wait at least 10 seconds.

TESTING CONDITION:

P0122, P0123 TP SENSOR

< DTC/CIRCUIT DIAGNOSIS >

[VQ35DE]

Before performing the following procedure, confirm that battery voltage is more than 8 V at idle.

>> GO TO 3.

3.PERFORM DTC CONFIRMATION PROCEDURE

1. Start engine and let it idle for 1 second.
2. Check DTC.

Is DTC detected?

- YES >> Proceed to [EC-242, "Diagnosis Procedure"](#).
NO-1 >> To check malfunction symptom before repair: Refer to [GI-41, "Intermittent Incident"](#).
NO-2 >> Confirmation after repair: INSPECTION END

Diagnosis Procedure

INFOID:000000011939778

1.CHECK DTC PRIORITY

If DTC P0122 or P0123 is displayed with another DTC P0643, first perform the trouble diagnosis for DTC P0643.

Is applicable DTC detected?

- YES >> Perform diagnosis of applicable. Refer to [EC-424, "DTC Description"](#).
NO >> GO TO 2.

2.CHECK THROTTLE POSITION SENSOR 2 POWER SUPPLY

1. Disconnect electric throttle control actuator harness connector.
2. Turn ignition switch ON.
3. Check the voltage between electric throttle control actuator harness connector and ground.

+		-	Voltage
Connector	Terminal		
F57	5	Ground	Approx. 5 V

Is the inspection result normal?

- YES >> GO TO 4.
NO >> GO TO 3.

3.CHECK THROTTLE POSITION SENSOR 2 POWER SUPPLY CIRCUIT

1. Turn ignition switch OFF.
2. Disconnect ECM harness connector.
3. Check the continuity between electric throttle control actuator harness connector and ECM harness connector.

Electric throttle control actuator		ECM		Continuity
Connector	Terminal	Connector	Terminal	
F57	5	F14	98	Existed

Is the inspection result normal?

- YES >> INSPECTION END
NO >> Repair or replace error-detected parts.

4.CHECK THROTTLE POSITION SENSOR 2 GROUND CIRCUIT

1. Turn ignition switch OFF.
2. Disconnect ECM harness connector.
3. Check the continuity between electric throttle control actuator harness connector and ECM harness connector.

P0122, P0123 TP SENSOR

< DTC/CIRCUIT DIAGNOSIS >

[VQ35DE]

Electric throttle control actuator		ECM		Continuity
Connector	Terminal	Connector	Terminal	
F57	4	F14	75	Existed

4. Also check harness for short to ground and short to power.

Is the inspection result normal?

YES >> GO TO 5.

NO >> Repair open circuit, short to ground or short to power in harness or connectors.

5. CHECK THROTTLE POSITION SENSOR 2 INPUT SIGNAL CIRCUIT

1. Check the continuity between electric throttle control actuator harness connector and ECM harness connector.

Electric throttle control actuator		ECM		Continuity
Connector	Terminal	Connector	Terminal	
F57	3	F14	72	Existed

2. Also check harness for short to ground and short to power.

Is the inspection result normal?

YES >> GO TO 6.

NO >> Repair open circuit, short to ground or short to power in harness or connectors.

6. CHECK THROTTLE POSITION SENSOR

Check throttle position sensor. Refer to [EC-243, "Component Inspection"](#).

Is the inspection result normal?

YES >> INSPECTION END

NO >> Replace electric throttle control actuator. Refer to [EM-27, "Removal and Installation"](#).

Component Inspection

INFOID:0000000011939779

1. CHECK THROTTLE POSITION SENSOR

- Turn ignition switch OFF.
- Reconnect all harness connectors disconnected.
- Perform Throttle Valve Closed Position Learning. Refer to [EC-159, "Description"](#).
- Turn ignition switch ON.
- Set selector lever to D position.
- Check the voltage between ECM harness connector terminals under the following conditions.

Connector	ECM		Condition	Voltage
	+	-		
Terminal				
F14	71	75	Fully released	More than 0.36 V
			Fully depressed	Less than 4.75 V
	72		Fully released	Less than 4.75 V
			Fully depressed	More than 0.36 V

Is the inspection result normal?

YES >> INSPECTION END

NO >> Replace electric throttle control actuator. Refer to [EM-27, "Removal and Installation"](#).

P0125 ECT SENSOR

DTC Description

INFOID:000000011939780

DTC DETECTION LOGIC

1. Voltage sent to ECM from the sensor is not practical, even when some time has passed after starting the engine.
2. Engine coolant temperature is insufficient for closed loop fuel control.

DTC	CONSULT screen terms (Trouble diagnosis content)	DTC detection condition		
P0125	ECT SENSOR (Insufficient coolant temperature for closed loop fuel control)	1	Diagnosis condition	—
			Signal (terminal)	Voltage signal transmitted from engine coolant temperature sensor to ECM
			Threshold	Voltage sent to ECM from the sensor is not practical, even when some time has passed after starting the engine
			Diagnosis delay time	—
		2	Diagnosis condition	—
			Signal (terminal)	Voltage signal transmitted from engine coolant temperature sensor to ECM
			Threshold	Engine coolant temperature is insufficient for closed loop fuel control
			Diagnosis delay time	—

POSSIBLE CAUSE

- Harness and connectors (High resistance in the circuit)
- Engine coolant temperature sensor
- Thermostat

FAIL-SAFE

Not applicable

DTC CONFIRMATION PROCEDURE

1.CHECK DTC PRIORITY

If DTC P00125 is displayed with DTC P0116, P0117 or P0118, first perform the trouble diagnosis for DTC P0116, P0117 or P0118.

Is applicable DTC detected?

- YES >> Perform diagnosis of applicable.
- DTC P0116: Refer to [EC-236, "DTC Description"](#).
 - DTC P0117: Refer to [EC-238, "DTC Description"](#).
 - DTC P0118: Refer to [EC-238, "DTC Description"](#).

NO >> GO TO 2.

2.PRECONDITIONING

If DTC Confirmation Procedure has been previously conducted, always perform the following before conducting the next test.

1. Turn ignition switch OFF and wait at least 10 seconds.
2. Turn ignition switch ON.
3. Turn ignition switch OFF and wait at least 10 seconds.

>> GO TO 3.

3.CHECK ENGINE COOLANT TEMPERATURE SENSOR FUNCTION

ⓈWith CONSULT

1. Turn ignition switch ON.
2. Select "DATA MONITOR" mode with CONSULT.

P0125 ECT SENSOR

[VQ35DE]

< DTC/CIRCUIT DIAGNOSIS >

3. Check that "COOLANT TEMP/S" is above -7°C (19.4°F).

With GST

Follow the procedure "With CONSULT" above.

Is the temperature above 10°C (50°F)?

- YES >> INSPECTION END
NO >> GO TO 4.

4. PERFORM DTC CONFIRMATION PROCEDURE

With CONSULT

1. Start engine and run it for 65 minutes at idle speed.

If "COOLANT TEMP/S" increases to more than -7°C (19.4°F) within 65 minutes, stop engine because the test result will be OK.

CAUTION:

Never overheat engine.

2. Check 1st trip DTC.

With GST

Follow the procedure "With CONSULT" above.

Is 1st trip DTC detected?

- YES >> [EC-245, "Diagnosis Procedure"](#)
NO-1 >> To check malfunction symptom before repair: Refer to [GI-41, "Intermittent Incident"](#).
NO-2 >> Confirmation after repair: INSPECTION END

Diagnosis Procedure

INFOID:0000000011939781

1. CHECK DTC PRIORITY

If DTC P00125 is displayed with DTC P0116, P0117 or P0118, first perform the trouble diagnosis for DTC P0116, P0117 or P0118.

Is applicable DTC detected?

- YES >> Perform diagnosis of applicable.
• DTC P0116: Refer to [EC-236, "DTC Description"](#).
• DTC P0117: Refer to [EC-238, "DTC Description"](#).
• DTC P0118: Refer to [EC-238, "DTC Description"](#).
NO >> GO TO 2.

2. CHECK ENGINE COOLANT TEMPERATURE SENSOR

Check engine coolant temperature sensor. Refer to [EC-245, "Component Inspection"](#).

Is the inspection result normal?

- YES >> GO TO 3.
NO >> Replace engine coolant temperature sensor.

3. CHECK THERMOSTAT OPERATION

When the engine is cold [lower than 70°C (158°F)] condition, grasp lower radiator hose and confirm that the engine coolant does not flow.

Is the inspection result normal?

- YES >> INSPECTION END
NO >> Repair or replace thermostat. Refer to [CO-23, "Removal and Installation"](#).

Component Inspection

INFOID:0000000011939782

1. CHECK ENGINE COOLANT TEMPERATURE SENSOR

- Turn ignition switch OFF.
- Disconnect engine coolant temperature sensor harness connector.
- Remove engine coolant temperature sensor. Refer to [CO-25, "Exploded View"](#).

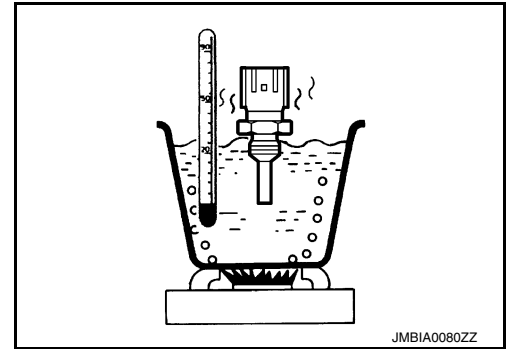
P0125 ECT SENSOR

[VQ35DE]

< DTC/CIRCUIT DIAGNOSIS >

4. Check resistance between engine coolant temperature sensor terminals as per the following.

ECT sensor		Condition	Resistance (kΩ)
+	-		
Terminal			
1	2	20 (68)	2.37 - 2.63
		50 (122)	0.68 - 1.00
		90 (194)	0.236 - 0.260



Is the inspection result normal?

YES >> INSPECTION END

NO >> Replace engine coolant temperature sensor. Refer to [CO-25, "Exploded View"](#).

P0127 IAT SENSOR

DTC Description

INFOID:0000000011939783

DTC DETECTION LOGIC

Rationally incorrect voltage from the sensor is sent to ECM, compared with the voltage signal from engine coolant temperature sensor.

DTC	CONSULT screen terms (Trouble diagnosis content)	DTC detection condition	
P0127	IAT SENSOR-B1 (Intake air temperature too high)	Diagnosis condition	—
		Signal (terminal)	Voltage signal transmitted from intake air temperature sensor to ECM
		Threshold	Rationally incorrect voltage from the sensor is sent to ECM, compared with the voltage signal from engine coolant temperature sensor
		Diagnosis delay time	—

POSSIBLE CAUSE

- Harness and connectors (The sensor circuit is open or shorted)
- Intake air temperature sensor

FAIL-SAFE

Not applicable

DTC CONFIRMATION PROCEDURE

1. PRECONDITIONING

If DTC Confirmation Procedure has been previously conducted, always perform the following before conducting the next test.

1. Turn ignition switch OFF and wait at least 10 seconds.
2. Turn ignition switch ON.
3. Turn ignition switch OFF and wait at least 10 seconds.

TESTING CONDITION:

This test may be conducted with the drive wheels lifted in the shop or by driving the vehicle. If a road test is expected to be easier, it is unnecessary to lift the vehicle.

>> GO TO 2.

2. PERFORM DTC CONFIRMATION PROCEDURE

 With CONSULT

1. Wait until engine coolant temperature is less than 96°C (205°F)
 - Turn ignition switch ON.
 - Select "DATA MONITOR" mode with CONSULT.
 - Check the engine coolant temperature.
 - If the engine coolant temperature is not less than 96°C (205°F), turn ignition switch OFF and cool down engine.

NOTE:

Perform the following steps before engine coolant temperature is above 96°C (205°F).

2. Turn ignition switch ON.
3. Select "DATA MONITOR" mode with CONSULT.
4. Start engine.
5. Hold vehicle speed at more than 70 km/h (43 MPH) for 100 consecutive seconds.

CAUTION:

Always drive vehicle at a safe speed.

6. Check 1st trip DTC.

 With GST

Follow the procedure "With CONSULT" above.

Is 1st trip DTC detected?

P0127 IAT SENSOR

[VQ35DE]

< DTC/CIRCUIT DIAGNOSIS >

- YES >> Proceed to [EC-248, "Diagnosis Procedure"](#).
NO-1 >> To check malfunction symptom before repair: Refer to [GI-41, "Intermittent Incident"](#).
NO-2 >> Confirmation after repair: INSPECTION END

Diagnosis Procedure

INFOID:0000000011939784

1. CHECK INTAKE AIR TEMPERATURE SENSOR

Check intake air temperature sensor. Refer to [EC-248, "Component Inspection"](#).

Is the inspection result normal?

- YES >> INSPECTION END
NO >> Replace mass air flow sensor (with intake air temperature sensor).

Component Inspection

INFOID:0000000011939785

1. CHECK INTAKE AIR TEMPERATURE SENSOR

1. Turn ignition switch OFF.
2. Disconnect mass air flow sensor harness connector.
3. Check resistance between mass air flow sensor terminals as per the following.

Mass air flow sensor		Condition		Resistance (kΩ)
+	-			
Terminals				
4	2	Temperature [°C (°F)]	25 (77)	1.800 - 2.200

Is the inspection result normal?

- YES >> INSPECTION END
NO >> Replace mass air flow sensor. Refer to [EM-26, "Removal and Installation"](#).

P0128 THERMOSTAT FUNCTION

< DTC/CIRCUIT DIAGNOSIS >

[VQ35DE]

P0128 THERMOSTAT FUNCTION

DTC Description

INFOID:000000011939786

DTC DETECTION LOGIC

Engine coolant temperature has not risen enough to open the thermostat even though the engine has run long enough.

This is due to a leak in the seal or the thermostat being stuck open.

The engine coolant temperature does not reach to specified temperature even though the engine has run long enough.

DTC	CONSULT screen terms (Trouble diagnosis content)	DTC detection condition	
		Diagnosis condition	—
P0128	THERMSTAT FNCTN [Coolant thermostat (coolant temperature below thermostat regulating temperature)]	Signal (terminal)	—
		Threshold	The engine coolant temperature does not reach to specified temperature even though the engine has run long enough
		Diagnosis delay time	—

POSSIBLE CAUSE

- Thermostat
- Leakage from sealing portion of thermostat
- Engine coolant temperature sensor

FAIL-SAFE

Not applicable

DTC CONFIRMATION PROCEDURE

NOTE:

Never refuel before and during the following procedure.

1. CHECK DTC PRIORITY

If DTC P00128 is displayed with DTC P0300, P0301, P0302, P0303, P0304, P0305 or P0306, first perform the trouble diagnosis for DTC P0300, P0301, P0302, P0303, P0304, P0305 and P0306.

Is applicable DTC detected?

- YES >> Perform diagnosis of applicable.
- DTC P0300: Refer to [EC-315, "DTC Description"](#).
 - DTC P0301: Refer to [EC-315, "DTC Description"](#).
 - DTC P0302: Refer to [EC-315, "DTC Description"](#).
 - DTC P0303: Refer to [EC-315, "DTC Description"](#).
 - DTC P0304: Refer to [EC-315, "DTC Description"](#).
 - DTC P0305: Refer to [EC-315, "DTC Description"](#).
 - DTC P0306: Refer to [EC-315, "DTC Description"](#).

NO >> GO TO 2.

2. PRECONDITIONING-I

If DTC Confirmation Procedure has been previously conducted, always perform the following procedure before conducting the next test.

1. Turn ignition switch OFF and wait at least 10 seconds.
2. Turn ignition switch ON.
3. Turn ignition switch OFF and wait at least 10 seconds.

>> GO TO 3.

3. PRECONDITIONING-II

Ⓜ With CONSULT

1. Turn ignition switch ON.
2. Check the following conditions:

P0128 THERMOSTAT FUNCTION

[VQ35DE]

< DTC/CIRCUIT DIAGNOSIS >

Ambient temperature	-10°C (14°F) or more
A/C switch	OFF
Blower fan switch	OFF

3. Select "DATA MONITOR" mode of "ENGINE" using CONSULT.
4. Check the following conditions:

COOLANT TEMP/S	-10°C – 46°C (14 – 114°F)
----------------	---------------------------

Is the condition satisfied?

- YES >> GO TO 4.
NO >> 1. Satisfy the condition.
2. GO TO 4.

4.PERFORM DTC CONFIRMATION PROCEDURE-I

Ⓜ With CONSULT

1. Start engine.
2. Drive the vehicle until the following condition is satisfied.

CAUTION:

Always drive vehicle at safe speed.

- STEP 1

Drive the vehicle under the conditions instructed below until the difference between "COOLANT TEMP/S" and "FUEL T/TMP SE" becomes at least 24°C (75°F).

COOLANT TEMP/S	65°C (149°F) or less
FUEL T/TMP SE	Less than the value calculated by subtracting 25°C (45°F) from "COOLANT TEMP/S".*

*: Example

COOLANT TEMP/S	FUEL T/TMP SE
70°C (158°F)	45°C (113°F) or less
65°C (149°F)	40°C (104°F) or less
60°C (140°F)	35°C (95°F) or less

- STEP 2

Drive the vehicle at 50 km/h (32 MPH) or more with the difference between "COOLANT TEMP/S" and "FUEL T/TMP SE" maintained at 24°C (75°F) or more.

NOTE:

Keep the accelerator pedal as steady as possible during cruising.

- STEP 3

Drive the vehicle at 50 km/h (32 MPH) or more until "COOLANT TEMP/S" increases by 6°C (43°F).

NOTE:

Keep the accelerator pedal as steady as possible during cruising.

Is the condition satisfied?

- YES >> GO TO 5.
NO >> GO TO 1.

5.PERFORM DTC CONFIRMATION PROCEDURE-II

Ⓜ With CONSULT

1. Drive the vehicle until the following condition is satisfied.

COOLANT TEMP/S	65°C (149°F) or more
----------------	----------------------

CAUTION:

Always drive vehicle at safe speed.

2. Check 1st trip DTC.

Is 1st trip DTC detected?

P0128 THERMOSTAT FUNCTION

[VQ35DE]

< DTC/CIRCUIT DIAGNOSIS >

- YES >> Proceed to [EC-251, "Diagnosis Procedure"](#).
- NO-1 >> To check malfunction symptom before repair: Refer to [GI-41, "Intermittent Incident"](#).
- NO-2 >> Confirmation after repair: INSPECTION END

Diagnosis Procedure

INFOID:000000011939787

EC

1. CHECK DTC PRIORITY

If DTC P00128 is displayed with DTC P0300, P0301, P0302, P0303, P0304, P0305 or P0306, first perform the trouble diagnosis for DTC P0300, P0301, P0302, P0303, P0304, P0305 and P0306.

Is applicable DTC detected?

- YES >> Perform diagnosis of applicable.
 - DTC P0300: Refer to [EC-315, "DTC Description"](#).
 - DTC P0301: Refer to [EC-315, "DTC Description"](#).
 - DTC P0302: Refer to [EC-315, "DTC Description"](#).
 - DTC P0303: Refer to [EC-315, "DTC Description"](#).
 - DTC P0304: Refer to [EC-315, "DTC Description"](#).
 - DTC P0305: Refer to [EC-315, "DTC Description"](#).
 - DTC P0306: Refer to [EC-315, "DTC Description"](#).

NO >> GO TO 2.

2. CHECK ENGINE COOLANT TEMPERATURE SENSOR

Check engine coolant temperature sensor. Refer to [EC-251, "Component Inspection"](#).

Is the inspection result normal?

- YES >> GO TO 3.
- NO >> Replace engine coolant temperature sensor.

3. CHECK THERMOSTAT

Check thermostat. Refer to [CO-23, "Removal and Installation"](#).

Is the inspection result normal?

- YES >> INSPECTION END
- NO >> Replace thermostat. Refer to [CO-23, "Removal and Installation"](#).

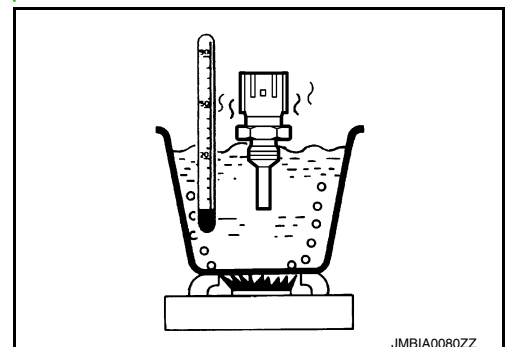
Component Inspection

INFOID:000000011939788

1. CHECK ENGINE COOLANT TEMPERATURE SENSOR

1. Turn ignition switch OFF.
2. Disconnect engine coolant temperature sensor harness connector.
3. Remove engine coolant temperature sensor. Refer to [CO-25, "Exploded View"](#).
4. Check resistance between engine coolant temperature sensor terminals as per the following.

ECT sensor		Condition	Resistance (kΩ)	
+	-			
Terminal				
1	2	Temperature [°C (°F)]	20 (68)	2.37 - 2.63
			50 (122)	0.68 - 1.00
			90 (194)	0.236 - 0.260



Is the inspection result normal?

- YES >> INSPECTION END
- NO >> Replace engine coolant temperature sensor. Refer to [CO-25, "Exploded View"](#).

P0130, P0150 A/F SENSOR 1

< DTC/CIRCUIT DIAGNOSIS >

[VQ35DE]

P0130, P0150 A/F SENSOR 1

DTC Description

INFOID:000000011939789

DTC DETECTION LOGIC

To judge malfunctions, the diagnosis checks that the A/F signal computed by ECM from the A/F sensor 1 signal fluctuates according to fuel feedback control.

1. The A/F signal computed by ECM from the A/F sensor 1 signal is constantly in a range other than approx. 2.2 V.
2. The A/F signal computed by ECM from the A/F sensor 1 signal is constantly approx. 2.2 V.

DTC	CONSULT screen terms (Trouble diagnosis content)	DTC detection condition		
P0130	A/F SENSOR1 (B1) (O2 sensor circuit bank 1 sensor 1)	1	Diagnosis condition	—
			Signal (terminal)	The A/F signal computed by ECM
			Threshold	The A/F signal computed by ECM from the A/F sensor 1 signal is constantly in a range other than approx. 2.2 V
			Diagnosis delay time	—
		2	Diagnosis condition	—
			Signal (terminal)	The A/F signal computed by ECM
			Threshold	The A/F signal computed by ECM from the A/F sensor 1 signal is constantly approx. 2.2 V
			Diagnosis delay time	—
P0150	A/F SENSOR1 (B2) (O2 sensor circuit bank 2 sensor 1)	1	Diagnosis condition	—
			Signal (terminal)	The A/F signal computed by ECM
			Threshold	The A/F signal computed by ECM from the A/F sensor 1 signal is constantly in a range other than approx. 2.2 V
			Diagnosis delay time	—
		2	Diagnosis condition	—
			Signal (terminal)	The A/F signal computed by ECM
			Threshold	The A/F signal computed by ECM from the A/F sensor 1 signal is constantly approx. 2.2 V
			Diagnosis delay time	—

POSSIBLE CAUSE

P0130 - 1

- Harness or connectors (The A/F sensor 1 circuit is open or shorted.)
- A/F sensor 1

P0130 - 2

- Harness or connectors (The A/F sensor 1 circuit is open or shorted.)
- A/F sensor 1

P0150 - 1

- Harness or connectors (The A/F sensor 1 circuit is open or shorted.)
- A/F sensor 1

P0150 - 2

- Harness or connectors (The A/F sensor 1 circuit is open or shorted.)
- A/F sensor 1

FAIL-SAFE

Not applicable

DTC CONFIRMATION PROCEDURE

1. PRECONDITIONING

If DTC Confirmation Procedure has been previously conducted, always perform the following before conducting the next test.

1. Turn ignition switch OFF and wait at least 10 seconds.
2. Turn ignition switch ON.
3. Turn ignition switch OFF and wait at least 10 seconds.

TESTING CONDITION:

Before performing the following procedure, confirm that battery voltage is more than 11 V at idle.

>> GO TO 2.

2. PERFORM DTC CONFIRMATION PROCEDURE FOR MALFUNCTION 1

1. Start engine and warm it up to normal operating temperature.
2. Let engine idle for 2 minutes.
3. Check 1st trip DTC.

Is 1st trip DTC detected?

YES >> Proceed to [EC-254, "Diagnosis Procedure"](#).

NO-1 >> With CONSULT: GO TO 3.

NO-2 >> With GST: GO TO 7.

3. CHECK AIR FUEL RATIO (A/F) SENSOR 1 FUNCTION

1. Start engine and warm it up to normal operating temperature.
2. Select "A/F SEN1 (B1)" or "A/F SEN1 (B2)" in "DATA MONITOR" mode with CONSULT.
3. Check "A/F SEN1 (B1)" or "A/F SEN1 (B2)" indication.

Does the indication fluctuate around 2.2 V?

YES >> GO TO 4.

NO >> Proceed to [EC-254, "Diagnosis Procedure"](#).

4. PERFORM DTC CONFIRMATION PROCEDURE FOR MALFUNCTION 2-I

1. Select "A/F SEN1 (B1) P1276" (for DTC P0130) or "A/F SEN1 (B2) P1286" (for DTC P0150) of "A/F SEN1" in "DTC WORK SUPPORT" mode with CONSULT.
2. Touch "START".
3. When the following conditions are met, "TESTING" will be displayed on the CONSULT screen.

ENG SPEED	1,000 - 3,200 rpm
VHCL SPEED SE	More than 64 km/h (40 mph)
B/FUEL SCHDL	1.0 - 10.0 msec
Selector lever	D position

If "TESTING" is not displayed after 20 seconds, retry from step 2.

CAUTION:

Always drive vehicle at a safe speed.

Is "TESTING" displayed on CONSULT screen?

YES >> GO TO 5.

NO >> Check A/F sensor 1 function again. GO TO 3.

5. PERFORM DTC CONFIRMATION PROCEDURE FOR MALFUNCTION 2-II

Release accelerator pedal fully.

NOTE:

Never apply brake when releasing the accelerator pedal.

Which does "TESTING" change to?

COMPLETED>>GO TO 6.

OUT OF CONDITION>>Retry DTC CONFIRMATION PROCEDURE. GO TO 4.

6. PERFORM DTC CONFIRMATION PROCEDURE FOR MALFUNCTION 2-III

Touch "SELF-DIAG RESULT".

P0130, P0150 A/F SENSOR 1

[VQ35DE]

< DTC/CIRCUIT DIAGNOSIS >

Which is displayed on CONSULT screen?

- OK-1 >> To check malfunction symptom before repair: Refer to [GI-41, "Intermittent Incident"](#).
- OK-2 >> Confirmation after repair: INSPECTION END
- NG >> Proceed to [EC-254, "Diagnosis Procedure"](#).

7. PERFORM COMPONENT FUNCTION CHECK

 **With GST**

1. Start engine and warm it up to normal operating temperature.
2. Drive the vehicle at a speed of 80 km/h (50 MPH) for a few minutes in the suitable gear position.
3. Shift the selector lever to the D position, then release the accelerator pedal fully until the vehicle speed decreases to 50 km/h (31 MPH).

CAUTION:

Always drive vehicle at a safe speed.

NOTE:

Never apply brake when releasing the accelerator pedal.

4. Repeat steps 2 and 3 for 5 times.
5. Stop the vehicle and turn ignition switch OFF.
6. Wait at least 10 seconds and restart engine.
7. Repeat steps 2 and 3 for 5 times.
8. Stop the vehicle.
9. Check 1st trip DTC.

Is 1st trip DTC detected?

- YES >> Proceed to [EC-254, "Diagnosis Procedure"](#).
- NO-1 >> To check malfunction symptom before repair: Refer to [GI-41, "Intermittent Incident"](#).
- NO-2 >> Confirmation after repair: INSPECTION END

Diagnosis Procedure

INFOID:000000011939790

1. CHECK AIR FUEL RATIO (A/F) SENSOR 1 POWER SUPPLY

1. Disconnect A/F sensor 1 harness connector.
2. Turn ignition switch ON.
3. Check the voltage between A/F sensor 1 harness connector and ground.

DTC	+			-	Voltage
	A/F sensor 1				
	Bank	Connector	Terminal		
P0130	1	F12	1	Ground	Battery voltage
P0150	2	F61	1		

Is the inspection result normal?

- YES >> GO TO 3.
- NO >> GO TO 2.

2. CHECK AIR FUEL RATIO (A/F) SENSOR 1 POWER SUPPLY CIRCUIT

1. Turn ignition switch OFF.
2. Disconnect IPDM E/R harness connector.
3. Check the continuity between A/F sensor 1 harness connector and IPDM E/R harness connector.

DTC	A/F sensor 1			IPDM E/R		Continuity
	Bank	Connector	Terminal	Connector	Terminal	
P0130	1	F12	1	F50	52	Existed
P0150	2	F61	1		53	

Is the inspection result normal?

- YES >> Perform the trouble diagnosis for power supply circuit.
- NO >> Repair or replace error-detected parts.

P0130, P0150 A/F SENSOR 1

< DTC/CIRCUIT DIAGNOSIS >

[VQ35DE]

3. CHECK A/F SENSOR 1 INPUT SIGNAL CIRCUIT

1. Turn ignition switch OFF.
2. Disconnect ECM harness connector.
3. Check the continuity between A/F sensor 1 harness connector and ECM harness connector.

DTC	A/F sensor 1			ECM		Continuity
	Bank	Connector	Terminal	Connector	Terminal	
P0130	1	F12	3	F14	66	Existed
			4		67	
P0150	2	F61	3		76	
			4		77	

4. Check the continuity between A/F sensor 1 harness connector and ground, or ECM harness connector and ground.

DTC	A/F sensor 1			Ground	Continuity
	Bank	Connector	Terminal		
P0130	1	F12	3	Ground	Not existed
			4		
P0150	2	F61	3		
			4		

DTC	ECM		Ground	Continuity
	Connector	Terminal		
P0130	F14	66	Ground	Not existed
		67		
P0150		76		
		77		

5. Also check harness for short to power.

Is the inspection result normal?

YES >> INSPECTION END

NO >> Repair open circuit, short to ground or short to power in harness or connectors.

P0131, P0151 A/F SENSOR 1

< DTC/CIRCUIT DIAGNOSIS >

[VQ35DE]

P0131, P0151 A/F SENSOR 1

DTC Description

INFOID:000000011939791

DTC DETECTION LOGIC

To judge the malfunction, the diagnosis checks that the A/F signal computed by ECM from the A/F sensor 1 signal is not inordinately low.

The A/F signal computed by ECM from the A/F sensor 1 signal is constantly approx. 0 V.

DTC	CONSULT screen terms (Trouble diagnosis content)	DTC detection condition	
P0131	A/F SENSOR1 (B1) (O2 sensor circuit low voltage bank 1 sensor 1)	Diagnosis condition	—
		Signal (terminal)	The A/F signal computed by ECM
		Threshold	The A/F signal computed by ECM from the A/ F sensor 1 signal is constantly approx. 0 V
		Diagnosis delay time	—
P0151	A/F SENSOR1 (B2) (O2 sensor circuit high voltage bank 2 sensor 1)	Diagnosis condition	—
		Signal (terminal)	The A/F signal computed by ECM
		Threshold	The A/F signal computed by ECM from the A/ F sensor 1 signal is constantly approx. 0 V
		Diagnosis delay time	—

POSSIBLE CAUSE

P0131

- Harness or connectors (The A/F sensor 1 circuit is open or shorted.)
- A/F sensor 1

P0151

- Harness or connectors (The A/F sensor 1 circuit is open or shorted.)
- A/F sensor 1

FAIL-SAFE

Not applicable

DTC CONFIRMATION PROCEDURE

1. PRECONDITIONING

If DTC Confirmation Procedure has been previously conducted, always perform the following before conducting the next test.

1. Turn ignition switch OFF and wait at least 10 seconds.
2. Turn ignition switch ON.
3. Turn ignition switch OFF and wait at least 10 seconds.

TESTING CONDITION:

Before performing the following procedure, confirm that battery voltage is more than 10.5 V at idle.

>> GO TO 2.

2. CHECK A/F SENSOR 1 FUNCTION

With CONSULT

1. Start engine and warm it up to normal operating temperature.
2. Select "A/F SEN1 (B1)" or "A/F SEN1 (B2)" in "DATA MONITOR" mode with CONSULT.
3. Check "A/F SEN1 (B1)" or "A/F SEN1 (B2)" indication.

With GST

Follow the procedure "With CONSULT" above.

Is the indication constantly approx. 0 V?

- YES >> Proceed to [EC-257. "Diagnosis Procedure"](#).
NO >> GO TO 3.

P0131, P0151 A/F SENSOR 1

< DTC/CIRCUIT DIAGNOSIS >

[VQ35DE]

3. PERFORM DTC CONFIRMATION PROCEDURE

With CONSULT

1. Turn ignition switch OFF, wait at least 10 seconds.
2. Turn ignition switch ON.
3. Turn ignition switch OFF, wait at least 10 seconds and then restart engine.
4. Drive and accelerate vehicle to more than 40 km/h (25 MPH) within 20 seconds after restarting engine.

CAUTION:

Always drive vehicle at a safe speed.

5. Maintain the following conditions for approximately 20 consecutive seconds.

ENG SPEED	1,000 - 3,200 rpm
VHCL SPEED SE	More than 40 km/h (25 mph)
B/FUEL SCHDL	1.5 - 9.0 msec
Selector lever	Suitable position

NOTE:

- Keep the accelerator pedal as steady as possible during cruising.
- If this procedure is not completed within 1 minute after restarting engine at step 1, return to step 1.

6. Check 1st trip DTC.

With GST

Follow the procedure "With CONSULT" above.

Is 1st trip DTC detected?

- YES >> Proceed to [EC-257. "Diagnosis Procedure"](#).
- NO-1 >> To check malfunction symptom before repair: Refer to [GI-41. "Intermittent Incident"](#).
- NO-2 >> Confirmation after repair: INSPECTION END

Diagnosis Procedure

INFOID:000000011939792

1. CHECK AIR FUEL RATIO (A/F) SENSOR 1 POWER SUPPLY

1. Disconnect A/F sensor 1 harness connector.
2. Turn ignition switch ON.
3. Check the voltage between A/F sensor 1 harness connector and ground.

DTC	+			-	Voltage
	A/F sensor 1				
	Bank	Connector	Terminal		
P0131	1	F12	1	Ground	Battery voltage
P0151	2	F61	1		

Is the inspection result normal?

- YES >> GO TO 3.
- NO >> GO TO 2.

2. CHECK AIR FUEL RATIO (A/F) SENSOR 1 POWER SUPPLY CIRCUIT

1. Turn ignition switch OFF.
2. Disconnect IPDM E/R harness connector.
3. Check the continuity between A/F sensor 1 harness connector and IPDM E/R harness connector.

DTC	A/F sensor 1			IPDM E/R		Continuity
	Bank	Connector	Terminal	Connector	Terminal	
P0131	1	F12	1	F50	52	Existed
P0151	2	F61	1		53	

Is the inspection result normal?

P0131, P0151 A/F SENSOR 1

[VQ35DE]

< DTC/CIRCUIT DIAGNOSIS >

YES >> Perform the trouble diagnosis for power supply circuit.

NO >> Repair or replace error-detected parts.

3. CHECK A/F SENSOR 1 INPUT SIGNAL CIRCUIT

1. Turn ignition switch OFF.
2. Disconnect ECM harness connector.
3. Check the continuity between A/F sensor 1 harness connector and ECM harness connector.

DTC	A/F sensor 1			ECM		Continuity
	Bank	Connector	Terminal	Connector	Terminal	
P0131	1	F12	3	F14	66	Existed
			4		67	
P0151	2	F61	3		76	
			4		77	

4. Check the continuity between A/F sensor 1 harness connector and ground, or ECM harness connector and ground.

DTC	A/F sensor 1			Ground	Continuity
	Bank	Connector	Terminal		
P0131	1	F12	3	Ground	Not existed
			4		
P0151	2	F61	3		
			4		

DTC	ECM		Ground	Continuity
	Connector	Terminal		
P0131	F14	66	Ground	Not existed
		67		
P0151		76		
		77		

5. Also check harness for short to power.

Is the inspection result normal?

YES >> INSPECTION END

NO >> Repair open circuit, short to ground or short to power in harness or connectors.

P0132, P0152 A/F SENSOR 1

DTC Description

INFOID:0000000011939793

DTC DETECTION LOGIC

To judge the malfunction, the diagnosis checks that the A/F signal computed by ECM from the A/F sensor 1 signal is not inordinately high.

The A/F signal computed by ECM from the A/F sensor 1 signal is constantly approx. 5 V.

DTC	CONSULT screen terms (Trouble diagnosis content)	DTC detection condition	
		Diagnosis condition	Signal (terminal)
P0132	A/F SENSOR1 (B1) (O2 sensor circuit high voltage bank 1 sensor 1)	Diagnosis condition	—
		Signal (terminal)	The A/F signal computed by ECM
		Threshold	The A/F signal computed by ECM from the A/F sensor 1 signal is constantly approx. 5 V
		Diagnosis delay time	—
P0152	A/F SENSOR1 (B2) (O2 sensor circuit high voltage bank 2 sensor 1)	Diagnosis condition	—
		Signal (terminal)	The A/F signal computed by ECM
		Threshold	The A/F signal computed by ECM from the A/F sensor 1 signal is constantly approx. 5 V
		Diagnosis delay time	—

POSSIBLE CAUSE

P0132

- Harness or connectors (The A/F sensor 1 circuit is open or shorted.)
- A/F sensor 1

P0152

- Harness or connectors (The A/F sensor 1 circuit is open or shorted.)
- A/F sensor 1

FAIL-SAFE

Not applicable

DTC CONFIRMATION PROCEDURE

1. PRECONDITIONING

If DTC Confirmation Procedure has been previously conducted, always perform the following before conducting the next test.

1. Turn ignition switch OFF and wait at least 10 seconds.
2. Turn ignition switch ON.
3. Turn ignition switch OFF and wait at least 10 seconds.

TESTING CONDITION:

Before performing the following procedure, confirm that battery voltage is more than 10.5 V at idle.

>> GO TO 2.

2. CHECK A/F SENSOR 1 FUNCTION

 With CONSULT

1. Start engine and warm it up to normal operating temperature.
2. Select "A/F SEN1 (B1)" or "A/F SEN1 (B2)" in "DATA MONITOR" mode with CONSULT.
3. Check "A/F SEN1 (B1)" or "A/F SEN1 (B2)" indication.

 With GST

Follow the procedure "With CONSULT" above.

Is the indication constantly approx. 5 V?

- YES >> Proceed to [EC-260. "Diagnosis Procedure"](#).
- NO >> GO TO 3.

P0132, P0152 A/F SENSOR 1

< DTC/CIRCUIT DIAGNOSIS >

[VQ35DE]

3. PERFORM DTC CONFIRMATION PROCEDURE

With CONSULT

1. Turn ignition switch OFF and wait at least 10 seconds.
2. Turn ignition switch ON.
3. Turn ignition switch OFF, wait at least 10 seconds and then restart engine.
4. Drive and accelerate vehicle to more than 40 km/h (25 MPH) within 20 seconds after restarting engine.

CAUTION:

Always drive vehicle at a safe speed.

5. Maintain the following conditions for approximately 20 consecutive seconds.

ENG SPEED	1,000 - 3,200 rpm
VHCL SPEED SE	More than 40 km/h (25 mph)
B/FUEL SCHDL	1.5 - 9.0 msec
Selector lever	Suitable position

NOTE:

- Keep the accelerator pedal as steady as possible during cruising.
- If this procedure is not completed within 1 minute after restarting engine at step 1, return to step 1.

6. Check 1st trip DTC.

With GST

Follow the procedure "With CONSULT" above.

Is 1st trip DTC detected?

- YES >> Proceed to [EC-260. "Diagnosis Procedure"](#).
 NO-1 >> To check malfunction symptom before repair: Refer to [GI-41. "Intermittent Incident"](#).
 NO-2 >> Confirmation after repair: INSPECTION END

Diagnosis Procedure

INFOID:000000011939794

1. CHECK AIR FUEL RATIO (A/F) SENSOR 1 POWER SUPPLY

1. Disconnect A/F sensor 1 harness connector.
2. Turn ignition switch ON.
3. Check the voltage between A/F sensor 1 harness connector and ground.

DTC	+			-	Voltage
	A/F sensor 1				
	Bank	Connector	Terminal		
P0132	1	F12	1	Ground	Battery voltage
P0152	2	F61	1		

Is the inspection result normal?

- YES >> GO TO 3.
 NO >> GO TO 2.

2. CHECK AIR FUEL RATIO (A/F) SENSOR 1 POWER SUPPLY CIRCUIT

1. Turn ignition switch OFF.
2. Disconnect IPDM E/R harness connector.
3. Check the continuity between A/F sensor 1 harness connector and IPDM E/R harness connector.

DTC	A/F sensor 1			IPDM E/R		Continuity
	Bank	Connector	Terminal	Connector	Terminal	
P0132	1	F12	1	F50	52	Existed
P0152	2	F61	1		53	

Is the inspection result normal?

P0132, P0152 A/F SENSOR 1

[VQ35DE]

< DTC/CIRCUIT DIAGNOSIS >

YES >> Perform the trouble diagnosis for power supply circuit.

NO >> Repair or replace error-detected parts.

3. CHECK A/F SENSOR 1 INPUT SIGNAL CIRCUIT FOR OPEN AND SHORT

1. Turn ignition switch OFF.
2. Disconnect ECM harness connector.
3. Check the continuity between A/F sensor 1 harness connector and ECM harness connector.

DTC	A/F sensor 1			ECM		Continuity
	Bank	Connector	Terminal	Connector	Terminal	
P0132	1	F12	3	F14	66	Existed
			4		67	
P0152	2	F61	3		76	
			4		77	

4. Check the continuity between A/F sensor 1 harness connector and ground, or ECM harness connector and ground.

DTC	A/F sensor 1			Ground	Continuity
	Bank	Connector	Terminal		
P0132	1	F12	3	Ground	Not existed
			4		
P0152	2	F61	3		
			4		

DTC	ECM		Ground	Continuity
	Connector	Terminal		
P0132	F14	66	Ground	Not existed
		67		
P0152		76		
		77		

5. Also check harness for short to power.

Is the inspection result normal?

YES >> INSPECTION END

NO >> Repair open circuit, short to ground or short to power in harness or connectors.

P0137, P0157 HO2S2

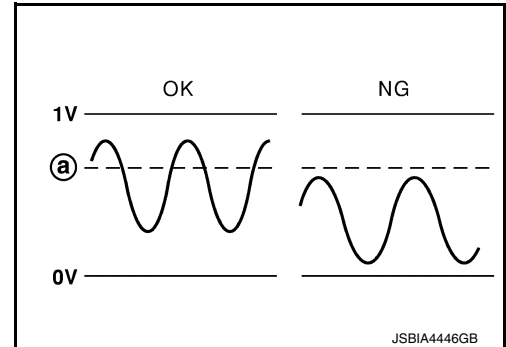
DTC Description

INFOID:000000011939795

DTC DETECTION LOGIC

The heated oxygen sensor 2 has a much longer switching time between rich and lean than the air fuel ratio (A/F) sensor 1. The oxygen storage capacity of the three way catalyst (manifold) causes the longer switching time. To judge the malfunctions of heated oxygen sensor 2, ECM monitors whether the maximum voltage of the sensor is sufficiently high during various driving conditions such as fuel-cut.

Ⓐ : 0.72 V



The maximum voltage from the sensor does not reach the specified voltage.

DTC	CONSULT screen terms (Trouble diagnosis content)	DTC detection condition	
P0137	HO2S2 (B1) (O2 sensor circuit low voltage bank 1 sensor 2)	Diagnosis condition	—
		Signal (terminal)	Voltage signal transmitted from heated oxygen sensor 2 to ECM
		Threshold	The maximum voltage from the sensor does not reach the specified voltage
		Diagnosis delay time	—
P0157	HO2S2 (B2) (O2 sensor circuit low voltage bank 2 sensor 2)	Diagnosis condition	—
		Signal (terminal)	Voltage signal transmitted from heated oxygen sensor 2 to ECM
		Threshold	The maximum voltage from the sensor does not reach the specified voltage
		Diagnosis delay time	—

POSSIBLE CAUSE

P0137

- Harness or connectors (The sensor circuit is open or shorted)
- Heated oxygen sensor 2
- Fuel pressure
- Fuel injector
- Intake air leakage

P0157

- Harness or connectors (The sensor circuit is open or shorted)
- Heated oxygen sensor 2
- Fuel pressure
- Fuel injector
- Intake air leakage

FAIL-SAFE

Not applicable

DTC CONFIRMATION PROCEDURE

1.INSPECTION START

Will CONSULT be used?

Will CONSULT be used?

YES >> GO TO 2.

NO >> GO TO 5.

2. PRECONDITIONING

If DTC confirmation Procedure has been previously conducted, always perform the following before conducting the next test.

1. Turn ignition switch OFF and wait at least 10 seconds.
2. Turn ignition switch ON.
3. Turn ignition switch OFF and wait at least 10 seconds.

TESTING CONDITION:

For better results, perform "DTC WORK SUPPORT" at a temperature of 0 to 30°C (32 to 86°F).

>> GO TO 3.

3. PERFORM DTC CONFIRMATION PROCEDURE

With CONSULT

1. Turn ignition switch ON and select "DATA MONITOR" mode with CONSULT.
2. Start engine and warm it up to the normal operating temperature.
3. Turn ignition switch OFF and wait at least 10 seconds.
4. Turn ignition switch ON.
5. Turn ignition switch OFF and wait at least 10 seconds.
6. Start engine and keep the engine speed between 3,500 and 4,000 rpm for at least 1 minute under no load.
7. Let engine idle for 1 minute.
8. Check that "COOLANT TEMP/S" indicates more than 70°C (158°F).
If not, warm up engine and go to next step when "COOLANT TEMP/S" indication reaches 70°C (158°F).
9. Open engine hood.
10. Select "HO2S2 (B1) P1147" (for DTC P0137) or "HO2S2 (B2) P1167" (for DTC P0157) of "HO2S2" in "DTC WORK SUPPORT" mode with CONSULT.
11. Follow the instruction of CONSULT display.

NOTE:

It will take at most 10 minutes until "COMPLETED" is displayed.

12. Touch "SELF-DIAG RESULTS".

Which is displayed on CONSULT screen?

OK-1 >> To check malfunction symptom before repair: Refer to [GI-41. "Intermittent Incident"](#).

OK-2 >> Confirmation after repair: INSPECTION END

NG >> Proceed to [EC-264. "Diagnosis Procedure"](#).

CAN NOT BE DIAGNOSED>>GO TO 4.

4. PERFORM DTC CONFIRMATION PROCEDURE AGAIN

1. Turn ignition switch OFF and leave the vehicle in a cool place (soak the vehicle).
2. Perform DTC confirmation procedure again.

>> GO TO 3.

5. PERFORM COMPONENT FUNCTION CHECK-I

Without CONSULT

1. Start engine and warm it up to the normal operating temperature.
2. Turn ignition switch OFF and wait at least 10 seconds.
3. Turn ignition switch ON.
4. Turn ignition switch OFF and wait at least 10 seconds.
5. Start engine and keep the engine speed between 3,500 and 4,000 rpm for at least 1 minute under no load.
6. Let engine idle for 1 minute.
7. Check the voltage between ECM harness connector terminals under the following conditions.

DTC	ECM			Condition	Voltage
	Connector	+	-		
		Terminal			
P0137	F13	41	35	Revving up to 4,000 rpm under no load at least 10 times	The voltage should be above 0.72 V at least once during this procedure.
P0157		32			

Is the inspection result normal?

- YES >> INSPECTION END
- NO >> GO TO 6.

6. PERFORM COMPONENT FUNCTION CHECK-II

Check the voltage between ECM harness connector terminals under the following conditions.

DTC	ECM			Condition	Voltage
	Connector	+	-		
		Terminal			
P0137	F13	41	35	Keeping engine at idle for 10 minutes	The voltage should be above 0.72 V at least once during this procedure.
P0157		32			

Is the inspection result normal?

- YES >> INSPECTION END
- NO >> GO TO 7.

7. PERFORM COMPONENT FUNCTION CHECK-III

Check the voltage between ECM harness connector terminals under the following conditions.

DTC	ECM			Condition	Voltage
	Connector	+	-		
		Terminal			
P0137	F13	41	35	Coasting from 80 km/h (50 MPH) with selector lever in the D position	The voltage should be above 0.72 V at least once during this procedure.
P0157		32			

Is the inspection result normal?

- YES-1 >> To check malfunction symptom before repair: Refer to [GI-41, "Intermittent Incident"](#).
- YES-2 >> Confirmation after repair: INSPECTION END
- NO >> Proceed to [EC-264, "Diagnosis Procedure"](#).

Diagnosis Procedure

INFOID:000000011939796

1. CLEAR MIXTURE RATIO SELF-LEARNING VALUE

1. Clear the mixture ratio self-learning value. Refer to [EC-162, "Description"](#).
2. Run engine for at least 10 minutes at idle speed.

Is the 1st trip DTC P0171 or P0174 detected? Is it difficult to start engine?

- YES >> Perform trouble diagnosis for DTC P0171 or P0174. Refer to [EC-289, "DTC Description"](#).
- NO >> GO TO 2.

2. CHECK HO2S2 GROUND CIRCUIT

1. Turn ignition switch OFF.
2. Disconnect heated oxygen sensor 2 harness connector.
3. Disconnect ECM harness connector.
4. Check the continuity between heated oxygen sensor 2 (HO2S2) harness connector and ECM harness connector.

P0137, P0157 HO2S2

< DTC/CIRCUIT DIAGNOSIS >

[VQ35DE]

DTC	HO2S2			ECM		Continuity
	Bank	Connector	Terminal	Connector	Terminal	
P0137	1	F62	4	F13	35	Existed
P0157	2	F56	4			

5. Also check harness for short to ground and short to power.

Is the inspection result normal?

YES >> GO TO 3.

NO >> Repair open circuit, short to ground or short to power in harness or connectors.

3.CHECK HO2S2 INPUT SIGNAL CIRCUIT FOR OPEN AND SHORT

1. Check the continuity between HO2S2 harness connector and ECM harness connector.

DTC	HO2S2			ECM		Continuity
	Bank	Connector	Terminal	Connector	Terminal	
P0137	1	F62	3	F13	41	Existed
P0157	2	F56	3		32	

2. Check the continuity between HO2S2 harness connector and ground, or ECM harness connector and ground.

DTC	HO2S2			Ground	Continuity
	Bank	Connector	Terminal		
P0137	1	F62	3	Ground	Not existed
P0157	2	F56	3		

DTC	ECM		Ground	Continuity
	Connector	Terminal		
P0137	F13	41	Ground	Not existed
P0157		32		

3. Also check harness for short to power.

Is the inspection result normal?

YES >> GO TO 4.

NO >> Repair open circuit, short to ground or short to power in harness or connectors.

4.CHECK HEATED OXYGEN SENSOR 2

Check heated oxygen sensor 2. Refer to [EC-265. "Component Inspection"](#).

Is the inspection result normal?

YES >> INSPECTION END

NO >> Replace malfunctioning heated oxygen sensor 2. Refer to [EM-36. "Removal and Installation \(bank 2\)"](#); [EM-37. "Removal and Installation \(bank 1\)"](#).

Component Inspection

INFOID:0000000011939797

1.INSPECTION START

Will CONSULT be used?

Will CONSULT be used?

YES >> GO TO 2.

NO >> GO TO 3.

2.CHECK HEATED OXYGEN SENSOR 2

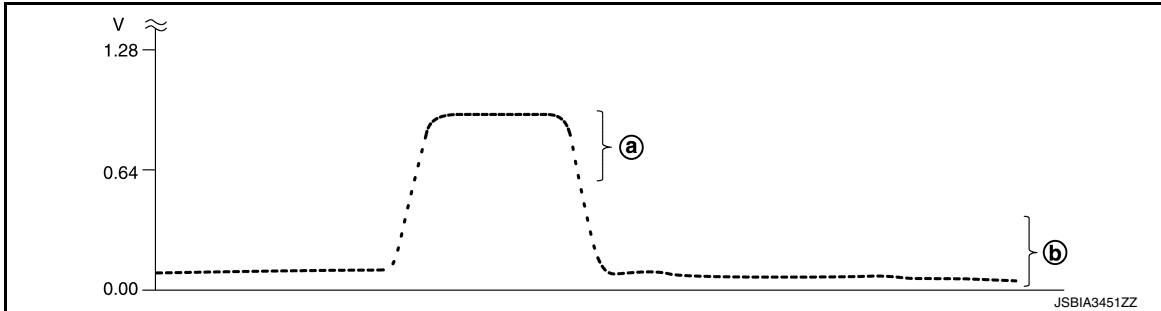
 With CONSULT

P0137, P0157 HO2S2

[VQ35DE]

< DTC/CIRCUIT DIAGNOSIS >

1. Turn ignition switch ON and select "DATA MONITOR" mode with CONSULT.
2. Start engine and warm it up to the normal operating temperature.
3. Turn ignition switch OFF and wait at least 10 seconds.
4. Start engine and keep the engine speed between 3,500 and 4,000 rpm for at least 1 minute under no load.
5. Let engine idle for 1 minute.
6. Select "FUEL INJECTION" in "ACTIVE TEST" mode, and select "HO2S2 (B1)/(B2)" as the monitor item with CONSULT.
7. Check "HO2S2 (B1)/(B2)" at idle speed when adjusting "FUEL INJECTION" to $\pm 25\%$.



- (a) : The voltage should be above 0.72 V at least on time.
 (b) : The voltage should be below 0.27 V at least on time.

"HO2S2 (B1)/(B2)" should be above 0.72 V at least once when the "FUEL INJECTION" is + 25%.

"HO2S2 (B1)/(B2)" should be below 0.27 V at least once when the "FUEL INJECTION" is - 25%.

Is the inspection result normal?

YES >> INSPECTION END

NO >> Replace malfunctioning heated oxygen sensor 2. Refer to [EM-36. "Removal and Installation \(bank 2\)"](#), [EM-37. "Removal and Installation \(bank 1\)"](#).

3. CHECK HEATED OXYGEN SENSOR 2-I

⊗ Without CONSULT

1. Start engine and warm it up to the normal operating temperature.
2. Turn ignition switch OFF and wait at least 10 seconds.
3. Start engine and keep the engine speed between 3,500 and 4,000 rpm for at least 1 minute under no load.
4. Let engine idle for 1 minute.
5. Check the voltage between ECM harness connector terminals under the following conditions.

ECM		Condition	Voltage
Connector	Terminal		
F13	32	Reving up to 4,000 rpm under no load at least 10 times	The voltage should be above 0.72 V at least once during this procedure. The voltage should be below 0.27 V at least once during this procedure.
	41		

Is the inspection result normal?

YES >> INSPECTION END

NO >> GO TO 4.

4. CHECK HEATED OXYGEN SENSOR 2-II

Check the voltage between ECM harness connector terminals under the following conditions.

P0137, P0157 HO2S2

< DTC/CIRCUIT DIAGNOSIS >

[VQ35DE]

Connector	ECM		Condition	Voltage
	+	-		
Terminal				
F13	32	35	Keeping engine at idle for 10 minutes	The voltage should be above 0.72 V at least once during this procedure. The voltage should be below 0.27 V at least once during this procedure.
	41			

Is the inspection result normal?

YES >> INSPECTION END
NO >> GO TO 5.

5.CHECK HEATED OXYGEN SENSOR 2-III

Check the voltage between ECM harness connector terminals under the following conditions.

Connector	ECM		Condition	Voltage
	+	-		
Terminal				
F13	32	35	Coasting from 80 km/h (50 MPH) with selector lever in the D position	The voltage should be above 0.72 V at least once during this procedure. The voltage should be below 0.27 V at least once during this procedure.
	41			

Is the inspection result normal?

YES >> INSPECTION END
NO >> Replace malfunctioning heated oxygen sensor 2. Refer to [EM-36, "Removal and Installation \(bank 2\)"](#); [EM-37, "Removal and Installation \(bank 1\)"](#).

P0138, P0158 HO2S2

DTC Description

INFOID:000000011939798

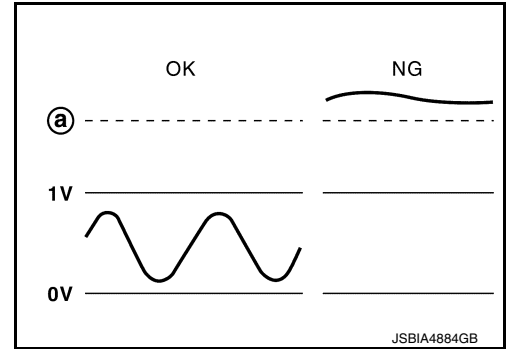
DTC DETECTION LOGIC

The heated oxygen sensor 2 has a much longer switching time between rich and lean than the air fuel ratio (A/F) sensor 1. The oxygen storage capacity of the three way catalyst (manifold) causes the longer switching time.

MALFUNCTION 1

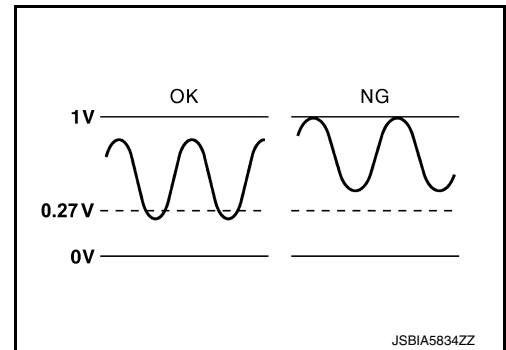
To judge the malfunctions of heated oxygen sensor 2, ECM monitors whether the voltage is unusually high during various driving conditions such as fuel cut.

Ⓐ : 1.3 V



MALFUNCTION 2

To judge the malfunctions of heated oxygen sensor 2, ECM monitors whether the minimum voltage of sensor is sufficiently low during various driving conditions such as fuel-cut.



1. An excessively high voltage from the sensor is sent to ECM.
2. The minimum voltage from the sensor is not reached to the specified voltage.

DTC	CONSULT screen terms (Trouble diagnosis content)	DTC detection condition		
P0138	HO2S2 (B1) (O2 sensor circuit high voltage bank 1 sensor 2)	1	Diagnosis condition	—
			Signal (terminal)	Voltage signal transmitted from heated oxygen sensor 2 to ECM
			Threshold	An excessively high voltage from the sensor is sent to ECM
			Diagnosis delay time	—
		2	Diagnosis condition	—
			Signal (terminal)	Voltage signal transmitted from heated oxygen sensor 2 to ECM
			Threshold	The minimum voltage from the sensor is not reached to the specified voltage
			Diagnosis delay time	—

P0138, P0158 HO2S2

< DTC/CIRCUIT DIAGNOSIS >

[VQ35DE]

P0158	HO2S2 (B2) (O2 sensor circuit high voltage bank 2 sensor2)	1	Diagnosis condition	—	A
			Signal (terminal)	Voltage signal transmitted from heated oxygen sensor 2 to ECM	EC
			Threshold	An excessively high voltage from the sensor is sent to ECM	
			Diagnosis delay time	—	
		2	Diagnosis condition	—	C
			Signal (terminal)	Voltage signal transmitted from heated oxygen sensor 2 to ECM	D
			Threshold	The minimum voltage from the sensor is not reached to the specified voltage	
			Diagnosis delay time	—	

POSSIBLE CAUSE

P0138 - 1

- Harness or connectors (The sensor circuit is open or shorted)
- Heated oxygen sensor 2

P0138 - 2

- Harness or connectors (The sensor circuit is open or shorted)
- Heated oxygen sensor 2
- Fuel pressure
- Fuel injector

P0158 - 1

- Harness or connectors (The sensor circuit is open or shorted)
- Heated oxygen sensor 2

P0158 - 2

- Harness or connectors (The sensor circuit is open or shorted)
- Heated oxygen sensor 2
- Fuel pressure
- Fuel injector

FAIL-SAFE

Not applicable

DTC CONFIRMATION PROCEDURE

1. PRECONDITIONING

If DTC Confirmation Procedure has been previously conducted, always perform the following before conducting the next test.

1. Turn ignition switch OFF and wait at least 10 seconds.
2. Turn ignition switch ON.
3. Turn ignition switch OFF and wait at least 10 seconds.

>> GO TO 2.

2. PERFORM DTC CONFIRMATION PROCEDURE FOR MALFUNCTION 1

1. Start engine and warm it up to the normal operating temperature.
2. Turn ignition switch OFF and wait at least 10 seconds.
3. Turn ignition switch ON.
4. Turn ignition switch OFF and wait at least 10 seconds.
5. Start engine and keep the engine speed between 3,500 and 4,000 rpm for at least 1 minute under no load.
6. Let engine idle for 2 minutes.
7. Check 1st trip DTC.

Is 1st trip DTC detected?

YES >> Proceed to [EC-271, "Diagnosis Procedure"](#).

NO-1 >> With CONSULT: GO TO 3.

< DTC/CIRCUIT DIAGNOSIS >

NO-2 >> Without CONSULT: GO TO 5.

3.PERFORM DTC CONFIRMATION PROCEDURE FOR MALFUNCTION 2

NOTE:

For better results, perform “DTC WORK SUPPORT” at a temperature of 0 to 30°C (32 to 86°F).

1. Select “DATA MONITOR” mode with CONSULT.
2. Start engine and warm it up to the normal operating temperature.
3. Turn ignition switch OFF and wait at least 10 seconds.
4. Turn ignition switch ON.
5. Turn ignition switch OFF and wait at least 10 seconds.
6. Start engine and keep the engine speed between 3,500 and 4,000 rpm for at least 1 minute under no load.
7. Let engine idle for 1 minute.
8. Check that “COOLANT TEMP/S” indicates more than 70°C (158°F).
If not, warm up engine and go to next step when “COOLANT TEMP/S” indication reaches 70°C (158°F).
9. Open engine hood.
10. Select “HO2S2 (B1) P1146” (for DTC P0138) or “HO2S2 (B2) P1166” (for DTC P0158) of “HO2S2” in “DTC WORK SUPPORT” mode with CONSULT.
11. Follow the instruction of CONSULT display.

NOTE:

It will take at most 10 minutes until “COMPLETED” is displayed.

12. Touch “SELF-DIAG RESULTS”.

Which is displayed on CONSULT screen?

- OK-1 >> To check malfunction symptom before repair: Refer to [GI-41, "Intermittent Incident"](#).
- OK-2 >> Confirmation after repair: INSPECTION END
- NG >> Proceed to [EC-271, "Diagnosis Procedure"](#).
- CON NOT BE DIAGNOSED>>GO TO 4.

4.PERFORM DTC CONFIRMATION PROCEDURE FOR MALFUNCTION 2 AGAIN

1. Turn ignition switch OFF and leave the vehicle in a cool place (soak the vehicle).
2. Perform DTC confirmation procedure again.

>> GO TO 3.

5.PERFORM COMPONENT FUNCTION CHECK-1

⊗ Without CONSULT

1. Start engine and warm it up to the normal operating temperature.
2. Turn ignition switch OFF and wait at least 10 seconds.
3. Turn ignition switch ON.
4. Turn ignition switch OFF and wait at least 10 seconds.
5. Start engine and keep the engine speed between 3,500 and 4,000 rpm for at least 1 minute under no load.
6. Let engine idle for 1 minute.
7. Check the voltage between ECM harness connector terminals under the following conditions.

DTC	ECM		Condition	Voltage	
	Connector	+			-
		Terminal			
P0138	F13	41	35	Revving up to 4,000 rpm under no load at least 10 times	
P0158		32			The voltage should be below 0.27 V at least once during this procedure.

Is the inspection result normal?

- YES >> INSPECTION END
- NO >> GO TO 6.

6.PERFORM COMPONENT FUNCTION CHECK-2

Check the voltage between ECM harness connector terminals under the following conditions.

P0138, P0158 HO2S2

< DTC/CIRCUIT DIAGNOSIS >

[VQ35DE]

DTC	ECM			Condition	Voltage
	Connector	+	-		
		Terminal			
P0138	F13	41	35	Keeping engine speed at idle for 10 minutes	The voltage should be below 0.27 V at least once during this procedure.
P0158		32			

Is the inspection result normal?

- YES >> INSPECTION END
- NO >> GO TO 7.

7.PERFORM COMPONENT FUNCTION CHECK-3

Check the voltage between ECM harness connector terminals under the following conditions.

DTC	ECM			Condition	Voltage
	Connector	+	-		
		Terminal			
P0138	F13	41	35	Coasting from 80 km/h (50 MPH) with selector lever in the D position	The voltage should be below 0.27 V at least once during this procedure.
P0158		32			

Is the inspection result normal?

- YES-1 >> To check malfunction symptom before repair: Refer to [GI-41, "Intermittent Incident"](#).
- YES-2 >> Confirmation after repair: INSPECTION END
- NO >> Proceed to [EC-271, "Diagnosis Procedure"](#).

Diagnosis Procedure

INFOID:0000000011939799

1.INSPECTION START

Confirm the detected malfunction (A or B). Refer to [EC-268, "DTC Description"](#).

Which malfunction is detected?

- A >> GO TO 2.
- B >> GO TO 6.

2.CHECK HO2S2 CONNECTOR FOR WATER

1. Disconnect heated oxygen sensor 2 harness connector.
2. Check that water is not inside connectors.

Is the inspection result normal?

- YES >> GO TO 3.
- NO >> Repair or replace harness or connectors.

3.CHECK HO2S2 GROUND CIRCUIT

1. Disconnect heated oxygen sensor 2 harness connector.
2. Disconnect ECM harness connector.
3. Check the continuity between heated oxygen sensor 2 (HO2S2) harness connector and ECM harness connector.

DTC	HO2S2			ECM		Continuity
	Bank	Connector	Terminal	Connector	Terminal	
P0138	1	F62	4	F13	35	Existed
P0158	2	F56	4			

4. Also check harness for short to ground and short to power.

Is the inspection result normal?

- YES >> GO TO 4.
- NO >> Repair open circuit, short to ground or short to power in harness or connectors.

4. CHECK HO2S2 INPUT SIGNAL CIRCUIT

1. Check the continuity between HO2S2 harness connector and ECM harness connector.

DTC	HO2S2			ECM		Continuity
	Bank	Connector	Terminal	Connector	Terminal	
P0138	1	F62	3	F13	41	Existed
P0158	2	F56	3		32	

2. Check the continuity between HO2S2 harness connector and ground, or ECM harness connector and ground.

DTC	HO2S2			Ground	Continuity
	Bank	Connector	Terminal		
P0138	1	F62	3	Ground	Not existed
P0158	2	F56	3		

DTC	ECM		Ground	Continuity
	Connector	Terminal		
P0138	F13	41	Ground	Not existed
P0158		32		

3. Also check harness for short to power.

Is the inspection result normal?

YES >> GO TO 5.

NO >> Repair open circuit, short to ground or short to power in harness or connectors.

5. CHECK HEATED OXYGEN SENSOR 2

Check heated oxygen sensor 2. Refer to [EC-273, "Component Inspection"](#).

Is the inspection result normal?

YES >> INSPECTION END

NO >> Replace malfunctioning heated oxygen sensor 2. Refer to [EM-36, "Removal and Installation \(bank 2\)"](#), [EM-37, "Removal and Installation \(bank 1\)"](#).

6. CLEAR MIXTURE RATIO SELF-LEARNING VALUE

1. Clear the mixture ratio self-learning value. Refer to [EC-162, "Description"](#).
2. Run engine for at least 10 minutes at idle speed.

Is the 1st trip DTC P0172 or P0175 detected? Is it difficult to start engine?

YES >> Perform trouble diagnosis for DTC P0172, P0175. Refer to [EC-294, "DTC Description"](#).

NO >> GO TO 7.

7. CHECK HO2S2 GROUND CIRCUIT

1. Turn ignition switch OFF.
2. Disconnect heated oxygen sensor 2 harness connector.
3. Disconnect ECM harness connector.
4. Check the continuity between HO2S2 harness connector and ECM harness connector.

DTC	HO2S2			ECM		Continuity
	Bank	Connector	Terminal	Connector	Terminal	
P0138	1	F62	4	F13	35	Existed
P0158	2	F56	4			

5. Also check harness for short to ground and short to power.

Is the inspection result normal?

YES >> GO TO 8.

< DTC/CIRCUIT DIAGNOSIS >

NO >> Repair open circuit, short to ground or short to power in harness or connectors.

8.CHECK HO2S2 INPUT SIGNAL CIRCUIT

1. Check the continuity between HO2S2 harness connector and ECM harness connector.

DTC	HO2S2			ECM		Continuity
	Bank	Connector	Terminal	Connector	Terminal	
P0138	1	F62	3	F13	41	Existed
P0158	2	F56	3		32	

2. Check the continuity between HO2S2 harness connector and ground, or ECM harness connector and ground.

DTC	HO2S2			Ground	Continuity
	Bank	Connector	Terminal		
P0138	1	F62	3	Ground	Not existed
P0158	2	F56	3		

DTC	ECM		Ground	Continuity
	Connector	Terminal		
P0138	F13	41	Ground	Not existed
P0158		32		

3. Also check harness for short to power.

Is the inspection result normal?

YES >> GO TO 9.

NO >> Repair open circuit, short to ground or short to power in harness or connectors.

9.CHECK HEATED OXYGEN SENSOR 2

Check heated oxygen sensor 2. Refer to [EC-273. "Component Inspection"](#)

Is the inspection result normal?

YES >> INSPECTION END

NO >> Replace malfunctioning heated oxygen sensor 2. Refer to [EM-36. "Removal and Installation \(bank 2\)"](#), [EM-37. "Removal and Installation \(bank 1\)"](#).

Component Inspection

INFOID:0000000011939800

1.INSPECTION START

Will CONSULT be used?

Will CONSULT be used?

YES >> GO TO 2.

NO >> GO TO 3.

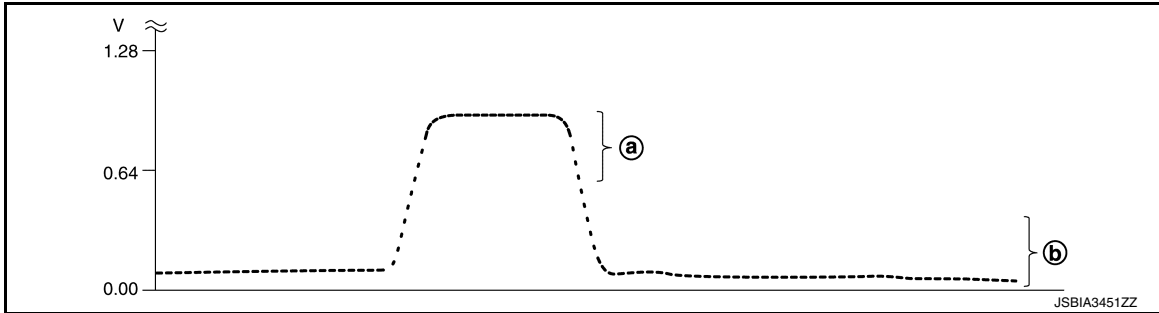
2.CHECK HEATED OXYGEN SENSOR 2

With CONSULT

1. Turn ignition switch ON and select "DATA MONITOR" mode with CONSULT.
2. Start engine and warm it up to the normal operating temperature.
3. Turn ignition switch OFF and wait at least 10 seconds.
4. Start engine and keep the engine speed between 3,500 and 4,000 rpm for at least 1 minute under no load.
5. Let engine idle for 1 minute.
6. Select "FUEL INJECTION" in "ACTIVE TEST" mode, and select "HO2S2 (B1)/(B2)" as the monitor item with CONSULT.

< DTC/CIRCUIT DIAGNOSIS >

7. Check "HO2S2 (B1)/(B2)" at idle speed when adjusting "FUEL INJECTION" to $\pm 25\%$.



- (a) : The voltage should be above 0.72 V at least on time.
- (b) : The voltage should be below 0.27 V at least on time.

"HO2S2 (B1)/(B2)" should be above 0.72 V at least once when the "FUEL INJECTION" is + 25%.

"HO2S2 (B1)/(B2)" should be below 0.27 V at least once when the "FUEL INJECTION" is - 25%.

Is the inspection result normal?

YES >> INSPECTION END

NO >> Replace malfunctioning heated oxygen sensor 2. Refer to [EM-36. "Removal and Installation \(bank 2\)"](#), [EM-37. "Removal and Installation \(bank 1\)"](#).

3.CHECK HEATED OXYGEN SENSOR 2-I

Without CONSULT

1. Start engine and warm it up to the normal operating temperature.
2. Turn ignition switch OFF and wait at least 10 seconds.
3. Start engine and keep the engine speed between 3,500 and 4,000 rpm for at least 1 minute under no load.
4. Let engine idle for 1 minute.
5. Check the voltage between ECM harness connector terminals under the following conditions.

Connector	ECM		Condition	Voltage
	+	-		
	Terminal			
F13	32	35	Revving up to 4,000 rpm under no load at least 10 times	The voltage should be above 0.72 V at least once during this procedure. The voltage should be below 0.27 V at least once during this procedure.
	41			

Is the inspection result normal?

YES >> INSPECTION END

NO >> GO TO 4.

4.CHECK HEATED OXYGEN SENSOR 2-II

Check the voltage between ECM harness connector terminals under the following conditions.

Connector	ECM		Condition	Voltage
	+	-		
	Terminal			
F13	32	35	Keeping engine at idle for 10 minutes	The voltage should be above 0.72 V at least once during this procedure. The voltage should be below 0.27 V at least once during this procedure.
	41			

Is the inspection result normal?

YES >> INSPECTION END

NO >> GO TO 5.

5.CHECK HEATED OXYGEN SENSOR 2-III

P0138, P0158 HO2S2

< DTC/CIRCUIT DIAGNOSIS >

[VQ35DE]

Check the voltage between ECM harness connector terminals under the following conditions.

ECM			Condition	Voltage
Connector	+	-		
	Terminal			
F13	32	35	Coasting from 80 km/h (50 MPH) with selector lever in the D position	The voltage should be above 0.72 V at least once during this procedure. The voltage should be below 0.27 V at least once during this procedure.
	41			

Is the inspection result normal?

YES >> INSPECTION END

NO >> Replace malfunctioning heated oxygen sensor 2. Refer to [EM-36. "Removal and Installation \(bank 2\)"](#), [EM-37. "Removal and Installation \(bank 1\)"](#).

A
EC
C
D
E
F
G
H
I
J
K
L
M
N
O
P

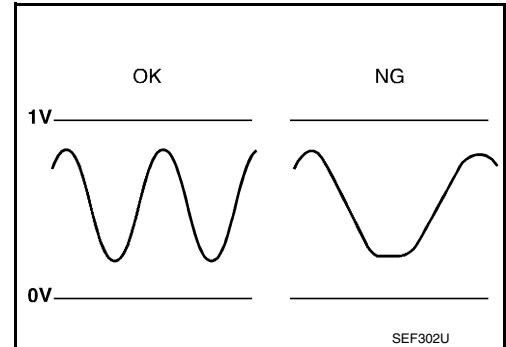
P0139, P0159 HO2S2

DTC Description

INFOID:000000011939801

DTC DETECTION LOGIC

The heated oxygen sensor 2 has a much longer switching time between rich and lean than the air fuel ratio (A/F) sensor 1. The oxygen storage capacity of the three way catalyst 1 causes the longer switching time. To judge the malfunctions of heated oxygen sensor 2, ECM monitors whether the switching response of the sensor's voltage is faster than specified during various driving conditions such as fuel cut.



The switching time between rich and lean of a heated oxygen sensor 2 signal delays more than the specified time computed by ECM.

DTC	CONSULT screen terms (Trouble diagnosis content)	DTC detection condition	
P0139	HO2S2 (B1) (O2 sensor circuit slow response bank 1 sensor 2)	Diagnosis condition	—
		Signal (terminal)	Heated oxygen sensor 2 signal
		Threshold	The switching time between rich and lean of a heated oxygen sensor 2 signal delays more than the specified time computed by ECM
		Diagnosis delay time	—
P0159	HO2S2 (B2) (O2 sensor circuit slow response bank 2 sensor2)	Diagnosis condition	—
		Signal (terminal)	Heated oxygen sensor 2 signal
		Threshold	The switching time between rich and lean of a heated oxygen sensor 2 signal delays more than the specified time computed by ECM
		Diagnosis delay time	—

POSSIBLE CAUSE

P0139

- Harness or connectors (The sensor circuit is open or shorted)
- Heated oxygen sensor 2
- Fuel pressure
- EVAP system
- Intake air system

P0159

- Harness or connectors (The sensor circuit is open or shorted)
- Heated oxygen sensor 2
- Fuel pressure
- EVAP system
- Intake air system

FAIL-SAFE

Not applicable

DTC CONFIRMATION PROCEDURE

1. INSPECTION START

Do you have CONSULT?

Do you have CONSULT?

< DTC/CIRCUIT DIAGNOSIS >

- YES >> GO TO 2.
- NO >> GO TO 7.

2. PRECONDITIONING

If DTC Confirmation Procedure has been previously conducted, always perform the following procedure before conducting the next test.

1. Turn ignition switch OFF and wait at least 10 seconds.
2. Turn ignition switch ON.
3. Turn ignition switch OFF and wait at least 10 seconds.

TESTING CONDITION:

For better results, perform “DTC WORK SUPPORT” at a temperature of 0 to 30°C (32 to 86°F).

>> GO TO 3.

3. PERFORM DTC CONFIRMATION PROCEDURE

With CONSULT

1. Turn ignition switch ON and select “DATA MONITOR” mode with CONSULT.
2. Start engine and warm it up to the normal operating temperature.
3. Turn ignition switch OFF and wait at least 10 seconds.
4. Turn ignition switch ON.
5. Turn ignition switch OFF and wait at least 10 seconds.
6. Start engine and keep the engine speed between 3,500 and 4,000 rpm for at least 1 minute under no load.
7. Let engine idle for 1 minute.
8. Make sure that “COOLANT TEMP/S” indicates more than 70°C (158°F).
9. Drive the vehicle in a proper gear at 60 km/h (38MPH) and maintain the speed.

CAUTION:

Always drive vehicle at a safe speed.

10. Release the accelerator pedal fully at least 5 seconds.

CAUTION:

- Enable the engine brake.
- Always drive carefully.
- Never apply brake when releasing the accelerator pedal.

11. Repeat step 9 and 10 at least 8 times.
12. Check the following item of “DATA MONITOR”.

DTC	Data monitor item	Status
P0139	HO2 S2 DIAG1 (B1)	CMPLT
	HO2 S2 DIAG2 (B1)	
P0159	HO2 S2 DIAG1 (B2)	
	HO2 S2 DIAG2 (B2)	

Is “CMPLT” displayed on CONSULT screen?

- YES >> GO TO 6.
- NO-1: “CMPLT” is not displayed on DIAG 1>>Perform DTC confirmation procedure again.
- NO-2: “CMPLT” is not displayed on DIAG 2>>GO TO 4.

4. PERFORM DTC WORK SUPPORT

1. Open engine hood.
2. Select “HO2S2 (B1) P0139” or “HO2S2 (B2) P0159” of “HO2S2” in “DTC WORK SUPPORT” mode with CONSULT.
3. Start engine and follow the instruction of CONSULT display.

NOTE:

It will take at most 10 minutes until “COMPLETED” is displayed.

Is “COMPLETED” displayed on CONSULT screen?

- YES >> GO TO 6.
- NO >> GO TO 5.

5. PERFORM DTC CONFIRMATION PROCEDURE AGAIN

1. Turn ignition switch OFF and leave the vehicle in a cool place (soak the vehicle).

< DTC/CIRCUIT DIAGNOSIS >

2. Perform DTC confirmation procedure again.

>> GO TO 3.

6. PERFORM SELF-DIAGNOSIS

With CONSULT

Perform ECM self-diagnosis.

Is DTC "P0139" or "P0159" detected?

YES >> Proceed to [EC-279, "Diagnosis Procedure"](#).

NO-1 >> To check malfunction symptom before repair: Refer to [GI-41, "Intermittent Incident"](#).

NO-2 >> Confirmation after repair: INSPECTION END

7. PERFORM COMPONENT FUNCTION CHECK-I

Without CONSULT

1. Start engine and warm it up to the normal operating temperature.
2. Turn ignition switch OFF and wait at least 10 seconds.
3. Turn ignition switch ON.
4. Turn ignition switch OFF and wait at least 10 seconds.
5. Start engine and keep the engine speed between 3,500 and 4,000 rpm for at least 1 minute under no load.
6. Let engine idle for 1 minute.
7. Check the voltage between ECM harness connector terminals under the following conditions.

DTC	ECM			Condition	Voltage
	Connector	+	-		
		Terminal			
P0139	F13	41	35	Revving up to 4,000 rpm under no load at least 10 times	A change of voltage should be more than 0.28 V for 1 second during this procedure.
P0159		32			

Is the inspection result normal?

YES >> INSPECTION END

NO >> GO TO 8.

8. PERFORM COMPONENT FUNCTION CHECK-II

Check the voltage between ECM harness connector terminals under the following conditions.

DTC	ECM			Condition	Voltage
	Connector	+	-		
		Terminal			
P0139	F13	41	35	Keeping engine at idle for 10 minutes	A change of voltage should be more than 0.28 V for 1 second during this procedure.
P0159		32			

Is the inspection result normal?

YES >> INSPECTION END

NO >> GO TO 9.

9. PERFORM COMPONENT FUNCTION CHECK-III

Check the voltage between ECM harness connector terminals under the following conditions.

DTC	ECM			Condition	Voltage
	Connector	+	-		
		Terminal			
P0139	F13	41	35	Coasting from 80 km/h (50 MPH) in D position	A change of voltage should be more than 0.28 V for 1 second during this procedure.
P0159		32			

Is the inspection result normal?

P0139, P0159 HO2S2

[VQ35DE]

< DTC/CIRCUIT DIAGNOSIS >

YES-1 >> To check malfunction symptom before repair: Refer to [GI-41, "Intermittent Incident"](#).

YES-2 >> Confirmation after repair: INSPECTION END

NO >> Proceed to [EC-279, "Diagnosis Procedure"](#).

Diagnosis Procedure

INFOID:000000011939802

1. CLEAR MIXTURE RATIO SELF-LEARNING VALUE

1. Clear the mixture ratio self-learning value. Refer to [EC-162, "Description"](#).

2. Run engine for at least 10 minutes at idle speed.

Is the 1st trip DTC P0171, P0172, P0174 or P0175 detected? Is it difficult to start engine?

YES >> Perform trouble diagnosis for DTC P0171, P0174 or P0172, P0175. Refer to [EC-289, "DTC Description"](#) or [EC-294, "DTC Description"](#).

NO >> GO TO 2.

2. CHECK HO2S2 GROUND CIRCUIT

1. Turn ignition switch OFF.

2. Disconnect heated oxygen sensor 2 harness connector.

3. Disconnect ECM harness connector.

4. Check the continuity between heated oxygen sensor 2 (HO2S2) harness connector and ECM harness connector.

DTC	HO2S2			ECM		Continuity
	Bank	Connector	Terminal	Connector	Terminal	
P0139	1	F62	4	F13	35	Existed
P0159	2	F56	4			

5. Also check harness for short to ground and short to power.

Is the inspection result normal?

YES >> GO TO 3.

NO >> Repair open circuit, short to ground or short to power in harness or connectors.

3. CHECK HO2S2 INPUT SIGNAL CIRCUIT

1. Check the continuity between HO2S2 harness connector and ECM harness connector.

DTC	HO2S2			ECM		Continuity
	Bank	Connector	Terminal	Connector	Terminal	
P0139	1	F62	3	F13	41	Existed
P0159	2	F56	3		32	

2. Check the continuity between HO2S2 harness connector and ground, or ECM harness connector and ground.

DTC	HO2S2			Ground	Continuity
	Bank	Connector	Terminal		
P0139	1	F62	3	Ground	Not existed
P0159	2	F56	3		

DTC	ECM		Ground	Continuity
	Connector	Terminal		
P0139	F13	41	Ground	Not existed
P0159		32		

3. Also check harness for short to power.

Is the inspection result normal?

YES >> GO TO 4.

< DTC/CIRCUIT DIAGNOSIS >

NO >> Repair open circuit, short to ground or short to power in harness or connectors.

4.CHECK HEATED OXYGEN SENSOR 2

Check heated oxygen sensor 2. Refer to [EC-280, "Component Inspection"](#).

Is the inspection result normal?

YES >> INSPECTION END

NO >> Replace malfunctioning heated oxygen sensor 2. Refer to [EM-36, "Removal and Installation \(bank 2\)"](#), [EM-37, "Removal and Installation \(bank 1\)"](#).

Component Inspection

INFOID:0000000011939803

1.INSPECTION START

Will CONSULT be used?

Will CONSULT be used?

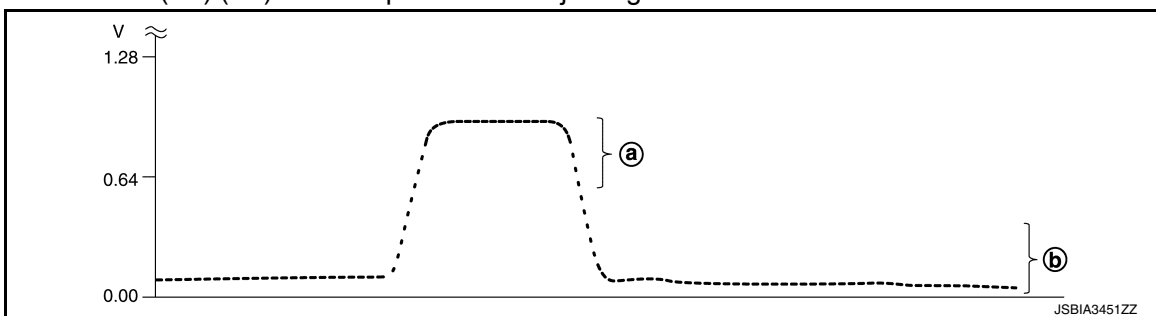
YES >> GO TO 2.

NO >> GO TO 3.

2.CHECK HEATED OXYGEN SENSOR 2

ⓅWith CONSULT

1. Turn ignition switch ON and select "DATA MONITOR" mode with CONSULT.
2. Start engine and warm it up to the normal operating temperature.
3. Turn ignition switch OFF and wait at least 10 seconds.
4. Start engine and keep the engine speed between 3,500 and 4,000 rpm for at least 1 minute under no load.
5. Let engine idle for 1 minute.
6. Select "FUEL INJECTION" in "ACTIVE TEST" mode, and select "HO2S2 (B1)/(B2)" as the monitor item with CONSULT.
7. Check "HO2S2 (B1)/(B2)" at idle speed when adjusting "FUEL INJECTION" to $\pm 25\%$.



ⓐ : The voltage should be above 0.72 V at least on time.

ⓑ : The voltage should be below 0.27 V at least on time.

"HO2S2 (B1)/(B2)" should be above 0.68 V at least once when the "FUEL INJECTION" is + 25%.

"HO2S2 (B1)/(B2)" should be below 0.18 V at least once when the "FUEL INJECTION" is - 25%.

Is the inspection result normal?

YES >> INSPECTION END

NO >> Replace malfunctioning heated oxygen sensor 2. Refer to [EM-36, "Removal and Installation \(bank 2\)"](#), [EM-37, "Removal and Installation \(bank 1\)"](#).

3.CHECK HEATED OXYGEN SENSOR 2-I

ⓧWithout CONSULT

1. Start engine and warm it up to the normal operating temperature.
2. Turn ignition switch OFF and wait at least 10 seconds.
3. Start engine and keep the engine speed between 3,500 and 4,000 rpm for at least 1 minute under no load.
4. Let engine idle for 1 minute.
5. Check the voltage between ECM harness connector terminals under the following conditions.

ECM			Condition	Voltage
Connector	+	-		
	Terminal			
F13	32	35	Revving up to 4,000 rpm under no load at least 10 times	The voltage should be above 0.72 V at least once during this procedure. The voltage should be below 0.27 V at least once during this procedure.
	41			

A

EC

C

Is the inspection result normal?

YES >> INSPECTION END
NO >> GO TO 4.

D

4. CHECK HEATED OXYGEN SENSOR 2-II

Check the voltage between ECM harness connector terminals under the following conditions.

E

ECM			Condition	Voltage
Connector	+	-		
	Terminal			
F13	32	35	Keeping engine at idle for 10 minutes	The voltage should be above 0.72 V at least once during this procedure. The voltage should be below 0.27 V at least once during this procedure.
	41			

F

G

Is the inspection result normal?

YES >> INSPECTION END
NO >> GO TO 5.

H

5. CHECK HEATED OXYGEN SENSOR 2-III

Check the voltage between ECM harness connector terminals under the following conditions.

I

ECM			Condition	Voltage
Connector	+	-		
	Terminal			
F13	32	35	Coasting from 80 km/h (50 MPH) with selector lever in the D position	The voltage should be above 0.72 V at least once during this procedure. The voltage should be below 0.27 V at least once during this procedure.
	41			

J

K

L

Is the inspection result normal?

YES >> INSPECTION END
NO >> Replace malfunctioning heated oxygen sensor 2. Refer to [EM-36. "Removal and Installation \(bank 2\)"](#), [EM-37. "Removal and Installation \(bank 1\)"](#).

M

N

O

P

P014C, P014D, P014E, P014F, P015A, P015B, P015C, P015D A/F SENSOR 1

< DTC/CIRCUIT DIAGNOSIS >

[VQ35DE]

P014C, P014D, P014E, P014F, P015A, P015B, P015C, P015D A/F SENSOR 1

DTC Description

INFOID:000000011939807

DTC DETECTION LOGIC

To judge malfunctions, this diagnosis measures response time of the A/F signal computed by ECM from the A/F sensor 1 signal. The time is compensated by engine operating (speed and load), fuel feedback control constant, and the A/F sensor 1 temperature index. Judgment is based on whether the compensated time (the A/F signal cycling time index) is inordinately long or not.

The response time of a A/F sensor 1 signal delays more than the specified time computed by ECM.

DTC	CONSULT screen terms (Trouble diagnosis content)	DTC detection condition	
P014C	A/F SENSOR1 (B1) (O2 sensor slow response - rich to lean bank 1 sensor 1)	Diagnosis condition	—
		Signal (terminal)	A/F sensor 1 signal
		Threshold	The response time of a A/F sensor 1 signal delays more than the specified time computed by ECM
		Diagnosis delay time	—
P014D	A/F SENSOR1 (B1) (O2 sensor slow response - lean to rich bank 1 sensor 1)	Diagnosis condition	—
		Signal (terminal)	A/F sensor 1 signal
		Threshold	The response time of a A/F sensor 1 signal delays more than the specified time computed by ECM
		Diagnosis delay time	—
P014E	A/F SENSOR1 (B2) (O2 sensor slow response - rich to lean bank 2 sensor 1)	Diagnosis condition	—
		Signal (terminal)	A/F sensor 1 signal
		Threshold	The response time of a A/F sensor 1 signal delays more than the specified time computed by ECM
		Diagnosis delay time	—
P014F	A/F SENSOR1 (B2) (O2 sensor slow response - lean to rich bank 2 sensor 1)	Diagnosis condition	—
		Signal (terminal)	A/F sensor 1 signal
		Threshold	The response time of a A/F sensor 1 signal delays more than the specified time computed by ECM
		Diagnosis delay time	—
P015A	A/F SENSOR1 (B1) (O2 sensor delayed response - rich to lean bank 1 sensor 1)	Diagnosis condition	—
		Signal (terminal)	A/F sensor 1 signal
		Threshold	The response time of a A/F sensor 1 signal delays more than the specified time computed by ECM
		Diagnosis delay time	—
P015B	A/F SENSOR1 (B1) (O2 sensor delayed response - lean to rich bank 1 sensor 1)	Diagnosis condition	—
		Signal (terminal)	A/F sensor 1 signal
		Threshold	The response time of a A/F sensor 1 signal delays more than the specified time computed by ECM
		Diagnosis delay time	—

P014C, P014D, P014E, P014F, P015A, P015B, P015C, P015D A/F SENSOR 1

< DTC/CIRCUIT DIAGNOSIS >

[VQ35DE]

P015C	A/F SENSOR1 (B2) (O2 sensor delayed response - rich to lean bank 2 sensor 1)	Diagnosis condition	—	A
		Signal (terminal)	A/F sensor 1 signal	
		Threshold	The response time of a A/F sensor 1 signal delays more than the specified time computed by ECM	EC
		Diagnosis delay time	—	
P015D	A/F SENSOR1 (B2) (O2 sensor delayed response - lean to rich bank 2 sensor 1)	Diagnosis condition	—	C
		Signal (terminal)	A/F sensor 1 signal	
		Threshold	The response time of a A/F sensor 1 signal delays more than the specified time computed by ECM	D
		Diagnosis delay time	—	

POSSIBLE CAUSE

P014C

- Harness or connectors (The A/F sensor 1 circuit is open or shorted.)
- A/F sensor 1

P014D

- Harness or connectors (The A/F sensor 1 circuit is open or shorted.)
- A/F sensor 1

P014E

- Harness or connectors (The A/F sensor 1 circuit is open or shorted.)
- A/F sensor 1

P014F

- Harness or connectors (The A/F sensor 1 circuit is open or shorted.)
- A/F sensor 1

P015A

- Harness or connectors (The A/F sensor 1 circuit is open or shorted.)
- A/F sensor 1

P015B

- Harness or connectors (The A/F sensor 1 circuit is open or shorted.)
- A/F sensor 1

P015C

- Harness or connectors (The A/F sensor 1 circuit is open or shorted.)
- A/F sensor 1

P015D

- Harness or connectors (The A/F sensor 1 circuit is open or shorted.)
- A/F sensor 1

FAIL-SAFE

Not applicable

DTC CONFIRMATION PROCEDURE

1. PRECONDITIONING

If DTC Confirmation Procedure has been previously conducted, always perform the following procedure before conducting the next test.

1. Turn ignition switch OFF and wait at least 10 seconds.
2. Turn ignition switch ON.
3. Turn ignition switch OFF and wait at least 10 seconds.

TESTING CONDITION:

Before performing the following procedure, confirm that battery voltage is more than 11 V at idle.

Do you have CONSULT?

- YES >> GO TO 2.
- NO >> GO TO 6.

2. PERFORM DTC CONFIRMATION PROCEDURE-1

④ With CONSULT

1. Start engine and warm it up to normal operating temperature.
2. Turn ignition switch OFF and wait at least 10 seconds.
3. Turn ignition switch ON.
4. Turn ignition switch OFF and wait at least 10 seconds.
5. Start engine and keep the engine speed between 3,500 and 4,000 rpm for at least 1 minute under no load.
6. Let engine idle for 1 minute.
7. Increase the engine speed up to about 3,600 rpm and keep it for 10 seconds.
8. Fully release accelerator pedal and then let engine idle for about 1 minute.
9. Check the items status of "DATA MONITOR" as follows.

NOTE:

If "PRCNT" changed to "ABSNP", refer to [EC-182, "Component Function Check"](#).

DTC	Data monitor item	Status
<ul style="list-style-type: none"> • P014C • P014D • P015A • P015B 	A/F SEN1 DIAG3 (B1)	PRCNT
<ul style="list-style-type: none"> • P014E • P014F • P015C • P015D 	A/F SEN1 DIAG3 (B2)	

Is "PRCNT" displayed on CONSULT screen?

YES >> GO TO 4.

NO >> GO TO 3.

3. PERFORM DTC CONFIRMATION PROCEDURE-2

④ With CONSULT

Perform DTC confirmation procedure-1 again.

Is "PRCNT" displayed on CONSULT screen?

YES >> GO TO 4.

NO >> Refer to [EC-182, "Component Function Check"](#).

4. PERFORM DTC CONFIRMATION PROCEDURE-2

④ With CONSULT

1. Wait for about 20 seconds at idle.
2. Check the items status of "DATA MONITOR" as follows.

NOTE:

If "CMPLT" changed to "INCMPT", refer to [EC-182, "Component Function Check"](#).

DTC	Data monitor item	Status
<ul style="list-style-type: none"> • P014C • P014D • P015A • P015B 	A/F SEN1 DIAG1 (B1)	CMPLT
	A/F SEN1 DIAG2 (B1)	
<ul style="list-style-type: none"> • P014E • P014F • P015C • P015D 	A/F SEN1 DIAG1 (B2)	
	A/F SEN1 DIAG2 (B2)	

Is "CMPLT" displayed on CONSULT screen?

YES >> GO TO 5.

NO >> Refer to [EC-182, "Component Function Check"](#).

5. PERFORM SELF-DIAGNOSIS

④ With CONSULT

Check the "SELF-DIAG RESULT".

P014C, P014D, P014E, P014F, P015A, P015B, P015C, P015D A/F SENSOR 1

< DTC/CIRCUIT DIAGNOSIS >

[VQ35DE]

Is any DTC detected?

- YES >> Proceed to [EC-285, "Diagnosis Procedure"](#).
- NO-1 >> To check malfunction symptom before repair: Refer to [GI-41, "Intermittent Incident"](#).
- NO-2 >> Confirmation after repair: INSPECTION END

6. CHECK AIR-FUEL RATIO SELF-LEARNING VALUE

 **With GST**

1. Start engine and warm it up to normal operating temperature.
2. Select Service \$01 with GST.
3. Calculate the total value of "Short term fuel trim" and "Long term fuel trim" indications.

Is the total percentage within $\pm 15\%$?

- YES >> GO TO 8.
- NO >> GO TO 7.

7. DETECT MALFUNCTIONING PART

Check the following.

- Intake air leaks
- Exhaust gas leaks
- Incorrect fuel pressure
- Lack of fuel
- Fuel injector
- Incorrect PCV hose connection
- PCV valve
- Mass air flow sensor

>> Repair or replace malfunctioning part.

8. PERFORM DTC CONFIRMATION PROCEDURE

1. Turn ignition switch OFF and wait at least 10 seconds.
2. Turn ignition switch ON.
3. Turn ignition switch OFF and wait at least 10 seconds.
4. Start engine and keep the engine speed between 3,500 and 4,000 rpm for at least 1 minute under no load.
5. Let engine idle for 1 minute.
6. Increase the engine speed up to about 3,600 rpm and keep it for 10 seconds.
7. Fully release accelerator pedal and then let engine idle for about 1 minute.
8. Check 1st trip DTC.

Is 1st trip DTC detected?

- YES >> Proceed to [EC-285, "Diagnosis Procedure"](#).
- NO-1 >> To check malfunction symptom before repair: Refer to [GI-41, "Intermittent Incident"](#).
- NO-2 >> Confirmation after repair: INSPECTION END

Diagnosis Procedure

INFOID:000000011939808

1. RETIGHTEN A/F SENSOR 1

Loosen and retighten the A/F sensor 1. Refer to [EM-36, "Removal and Installation \(bank 2\)"](#), [EM-37, "Removal and Installation \(bank 1\)"](#).

>> GO TO 2.

2. CHECK EXHAUST GAS LEAK

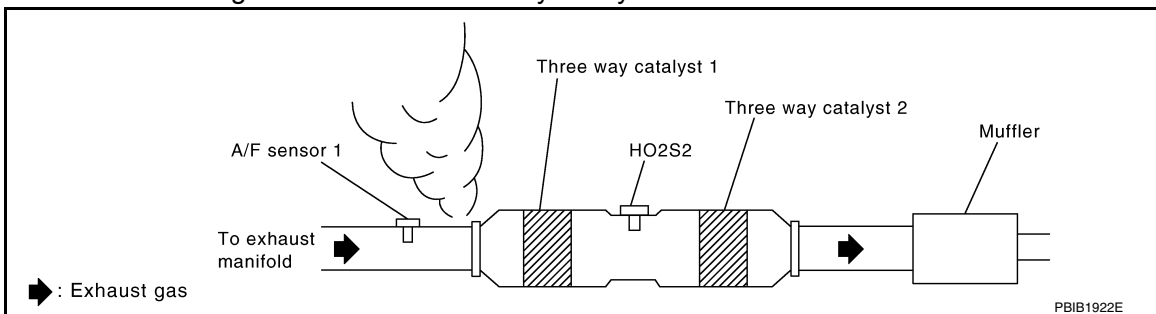
1. Start engine and run it at idle.

P014C, P014D, P014E, P014F, P015A, P015B, P015C, P015D A/F SENSOR 1

< DTC/CIRCUIT DIAGNOSIS >

[VQ35DE]

2. Listen for an exhaust gas leak before three way catalyst 1.



Is exhaust gas leak detected?

- YES >> Repair or replace.
- NO >> GO TO 3.

3. CHECK FOR INTAKE AIR LEAK

Listen for an intake air leak after the mass air flow sensor.

Is intake air leak detected?

- YES >> Repair or replace.
- NO >> GO TO 4.

4. CLEAR THE MIXTURE RATIO SELF-LEARNING VALUE

1. Clear the mixture ratio self-learning value. Refer to [EC-162, "Description"](#).
2. Run engine for at least 10 minutes at idle speed.

Is the 1st trip DTC P0171, P0172, P0174 or P0175 detected? Is it difficult to start engine?

- YES >> Perform trouble diagnosis for DTC P0171, P0174 or P0172, P0175. Refer to [EC-289, "DTC Description"](#) or [EC-294, "DTC Description"](#).
- NO >> GO TO 5.

5. CHECK AIR FUEL RATIO (A/F) SENSOR 1 POWER SUPPLY

1. Disconnect A/F sensor 1 harness connector.
2. Turn ignition switch ON.
3. Check the voltage between A/F sensor 1 harness connector and ground.

DTC	A/F sensor 1			Ground	Voltage
	Bank	Connector	Terminal		
<ul style="list-style-type: none"> • P014C • P014D • P015A • P015B 	1	F12	1	Ground	Battery voltage
<ul style="list-style-type: none"> • P014E • P014F • P015C • P015D 	2	F61	1		

Is the inspection result normal?

- YES >> GO TO 7.
- NO >> GO TO 6.

6. CHECK AIR FUEL RATIO (A/F) SENSOR 1 POWER SUPPLY CIRCUIT

1. Turn ignition switch OFF.
2. Disconnect IPDM E/R harness connector.
3. Check the continuity between A/F sensor 1 harness connector and IPDM E/R harness connector.

P014C, P014D, P014E, P014F, P015A, P015B, P015C, P015D A/F SENSOR 1
 < DTC/CIRCUIT DIAGNOSIS > [VQ35DE]

DTC	A/F sensor 1			IPDM E/R		Continuity
	Bank	Connector	Terminal	Connector	Terminal	
<ul style="list-style-type: none"> • P014C • P014D • P015A • P015B 	1	F12	1	F50	52	Existed
<ul style="list-style-type: none"> • P014E • P014F • P015C • P015D 			2		F61	

Is the inspection result normal?

- YES >> Perform the trouble diagnosis for power supply circuit.
 NO >> Repair or replace error-detected parts.

7. CHECK A/F SENSOR 1 INPUT SIGNAL CIRCUIT FOR OPEN AND SHORT

1. Turn ignition switch OFF.
2. Disconnect ECM harness connector.
3. Check the continuity between A/F sensor 1 harness connector and ECM harness connector.

DTC	A/F sensor 1			ECM		Continuity
	Bank	Connector	Terminal	Connector	Terminal	
<ul style="list-style-type: none"> • P014C • P014D • P015A • P015B 	1	F12	3	F14	66	Existed
<ul style="list-style-type: none"> • P014E • P014F • P015C • P015D 			2		F61	
	3	76				
4	77					

4. Check the continuity between A/F sensor 1 harness connector and ground, or ECM harness connector and ground.

DTC	A/F sensor 1			Ground	Continuity
	Bank	Connector	Terminal		
<ul style="list-style-type: none"> • P014C • P014D • P015A • P015B 	1	F12	3	Ground	Not existed
<ul style="list-style-type: none"> • P014E • P014F • P015C • P015D 			2		
	3				
4					

DTC	ECM			Ground	Continuity
	Bank	Connector	Terminal		
<ul style="list-style-type: none"> • P014C • P014D • P015A • P015B 	1	F14	66	Ground	Not existed
<ul style="list-style-type: none"> • P014E • P014F • P015C • P015D 			2		
	76				
77					

5. Also check harness for short to power.

A
EC
C
D
E
F
G
H
I
J
K
L
M
N
O
P

P014C, P014D, P014E, P014F, P015A, P015B, P015C, P015D A/F SENSOR 1

< DTC/CIRCUIT DIAGNOSIS >

[VQ35DE]

Is the inspection result normal?

YES >> GO TO 8.

NO >> Repair open circuit, short to ground or short to power in harness or connectors.

8.CHECK AIR FUEL RATIO (A/F) SENSOR 1 HEATER

Check air fuel ratio (A/F) sensor 1 heater. Refer to [EC-209. "Component Inspection"](#).

Is the inspection result normal?

YES >> GO TO 9.

NO >> Replace malfunctioning air fuel ratio (A/F) sensor 1. Refer to [EM-36. "Removal and Installation \(bank 2\)"](#), [EM-37. "Removal and Installation \(bank 1\)"](#).

9.CHECK MASS AIR FLOW SENSOR

Check both mass air flow sensor (bank 1 and bank 2). Refer to [EC-223. "Component Inspection"](#).

Is the inspection result normal?

YES >> GO TO 10.

NO >> Replace malfunctioning mass air flow sensor. Refer to [EM-26. "Removal and Installation"](#).

10.CHECK PCV VALVE

Check PCV valve. Refer to [EC-585. "Work Procedure"](#).

Is the inspection result normal?

YES >> INSPECTION END

NO >> Repair or replace PCV valve. Refer to [EC-15. "ENGINE CONTROL SYSTEM : Component Parts Location"](#).

P0171, P0174 FUEL INJECTION SYSTEM FUNCTION

< DTC/CIRCUIT DIAGNOSIS >

[VQ35DE]

P0171, P0174 FUEL INJECTION SYSTEM FUNCTION

DTC Description

INFOID:000000011939809

DTC DETECTION LOGIC

With the Air/Fuel Mixture Ratio Self-Learning Control, the actual mixture ratio can be brought closely to the theoretical mixture ratio based on the mixture ratio feedback signal from A/F sensor 1. The ECM calculates the necessary compensation to correct the offset between the actual and the theoretical ratios.

In case the amount of the compensation value is extremely large (the actual mixture ratio is too lean), the ECM judges the condition as the fuel injection system malfunction and illuminates the MIL (2 trip detection logic).

Sensor	Input signal to ECM	ECM function	Actuator
A/F sensor 1	Density of oxygen in exhaust gas (Mixture ratio feedback signal)	Fuel injection control	Fuel injector

- Fuel injection system does not operate properly.
- The amount of mixture ratio compensation is too large. (The mixture ratio is too lean.)

DTC	CONSULT screen terms (Trouble diagnosis content)	DTC detection condition		
P0171	FUEL SYS-LEAN-B1 (System too lean bank 1)	1	Diagnosis condition	<ul style="list-style-type: none"> Start engine and let it idle Start engine and drive the vehicle
			Signal (terminal)	—
			Threshold	Fuel injection system does not operate properly.
			Diagnosis delay time	—
		2	Diagnosis condition	<ul style="list-style-type: none"> Start engine and let it idle Start engine and drive the vehicle
			Signal (terminal)	—
			Threshold	The amount of mixture ratio compensation is too large. (The mixture ratio is too lean.)
			Diagnosis delay time	—
P0174	FUEL SYS-LEAN-B2 (System too lean bank 2)	1	Diagnosis condition	<ul style="list-style-type: none"> Start engine and let it idle Start engine and drive the vehicle
			Signal (terminal)	—
			Threshold	Fuel injection system does not operate properly.
			Diagnosis delay time	—
		2	Diagnosis condition	<ul style="list-style-type: none"> Start engine and let it idle Start engine and drive the vehicle
			Signal (terminal)	—
			Threshold	The amount of mixture ratio compensation is too large. (The mixture ratio is too lean.)
			Diagnosis delay time	—

POSSIBLE CAUSE

P0171

- Intake air leakage
- A/F sensor 1
- Fuel injector
- Exhaust gas leakage
- Incorrect fuel pressure
- Lack of fuel
- Mass air flow sensor

P0171, P0174 FUEL INJECTION SYSTEM FUNCTION

[VQ35DE]

< DTC/CIRCUIT DIAGNOSIS >

- Incorrect PCV hose connection

P0174

- Intake air leakage
- A/F sensor 1
- Fuel injector
- Exhaust gas leakage
- Incorrect fuel pressure
- Lack of fuel
- Mass air flow sensor
- Incorrect PCV hose connection

FAIL-SAFE

Not applicable

DTC CONFIRMATION PROCEDURE

1. PRECONDITIONING

If DTC Confirmation Procedure has been previously conducted, always perform the following before conducting the next test.

1. Turn ignition switch OFF and wait at least 10 seconds.
2. Turn ignition switch ON.
3. Turn ignition switch OFF and wait at least 10 seconds.

>> GO TO 2.

2. PERFORM DTC CONFIRMATION PROCEDURE-I

1. Clear the mixture ratio self-learning value. Refer to [EC-162. "Description"](#).
2. Start engine.

Is it difficult to start engine?

- YES >> GO TO 3.
NO >> GO TO 4.

3. RESTART ENGINE

If it is difficult to start engine, the fuel injection system has a malfunction, too.

Crank engine while depressing accelerator pedal.

NOTE:

- **When depressing accelerator pedal three-fourths (3/4) or more, the control system does not start the engine. Do not depress accelerator pedal too much.**

Does engine start?

- YES >> Proceed to [EC-291. "Diagnosis Procedure"](#).
NO >> Check exhaust and intake air leakage visually.

4. PERFORM DTC CONFIRMATION PROCEDURE-II

1. Keep engine idle for at least 5 minutes.
2. Check 1st trip DTC.

Is 1st trip DTC detected?

- YES >> Proceed to [EC-291. "Diagnosis Procedure"](#).
NO >> GO TO 5.

5. PERFORM DTC CONFIRMATION PROCEDURE-III

1. Turn ignition switch OFF and wait at least 10 seconds.
2. Start engine.
3. Maintain the following conditions for at least 10 consecutive minutes.
Hold the accelerator pedal as steady as possible.

VHCL SPEED SE	50 - 120 km/h (31 - 75 mph)
---------------	-----------------------------

CAUTION:

Always drive vehicle at a safe speed.

4. Check 1st trip DTC.

P0171, P0174 FUEL INJECTION SYSTEM FUNCTION

< DTC/CIRCUIT DIAGNOSIS >

[VQ35DE]

Is 1st trip DTC detected?

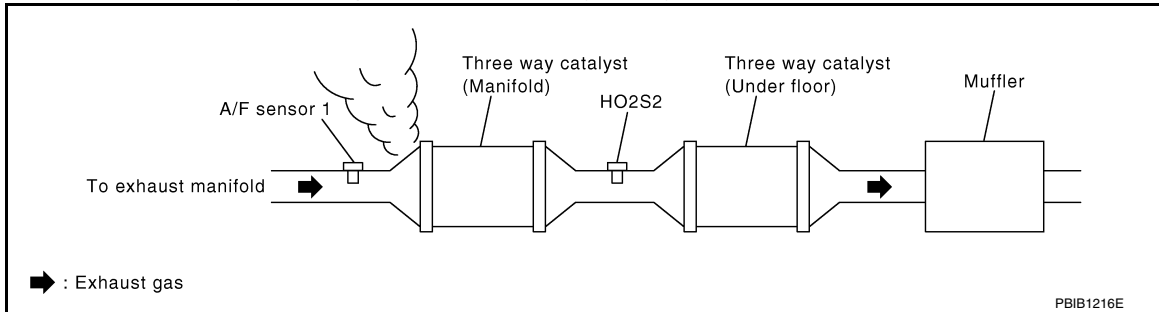
- YES >> Proceed to [EC-291, "Diagnosis Procedure"](#).
- NO-1 >> To check malfunction symptom before repair: Refer to [GI-41, "Intermittent Incident"](#).
- NO-2 >> Confirmation after repair: INSPECTION END

Diagnosis Procedure

INFOID:000000011939810

1. CHECK EXHAUST GAS LEAKAGE

1. Start engine and run it at idle.
2. Listen for an exhaust gas leakage before three way catalyst (manifold).



Is exhaust gas leakage detected?

- YES >> Repair or replace malfunctioning part.
- NO >> GO TO 2.

2. CHECK FOR INTAKE AIR LEAKAGE

1. Listen for an intake air leakage after the mass air flow sensor.
2. Check PCV hose connection.

Is intake air leakage detected?

- YES >> Repair or replace malfunctioning part.
- NO >> GO TO 3.

3. CHECK A/F SENSOR 1 INPUT SIGNAL CIRCUIT

1. Turn ignition switch OFF.
2. Disconnect corresponding A/F sensor 1 harness connector.
3. Disconnect ECM harness connector.
4. Check the continuity between A/F sensor 1 harness connector and ECM harness connector.

DTC	A/F sensor 1			ECM		Continuity
	Bank	Connector	Terminal	Connector	Terminal	
P0171	1	F12	3	F14	66	Existed
			4		67	
P0174	2	F61	3		76	
			4		77	

5. Check the continuity between A/F sensor 1 harness connector and ground, or ECM harness connector and ground.

DTC	A/F sensor 1			Ground	Continuity
	Bank	Connector	Terminal		
P0171	1	F12	3	Ground	Not existed
			4		
P0174	2	F61	3		
			4		

P0171, P0174 FUEL INJECTION SYSTEM FUNCTION

< DTC/CIRCUIT DIAGNOSIS >

[VQ35DE]

DTC	ECM		Ground	Continuity
	Connector	Terminal		
P0171	F14	66	Ground	Not existed
		67		
76				
77				
P0174				

6. Also check harness for short to power.

Is the inspection result normal?

YES >> GO TO 4.

NO >> Repair open circuit, short to ground or short to power in harness or connectors.

4. CHECK FUEL PRESSURE

1. Release fuel pressure to zero. Refer to [EC-168. "Work Procedure"](#).

2. Install fuel pressure gauge kit [SST: — (J-44321)] and check fuel pressure. Refer to [EC-168. "Work Procedure"](#).

At idling: Approximately 350 kPa (3.5 bar, 3.57 kg/cm², 51 psi)

Is the inspection result normal?

YES >> GO TO 6.

NO >> GO TO 5.

5. DETECT MALFUNCTIONING PART

Check fuel hoses and fuel tubes for clogging.

Is the inspection result normal?

YES >> Replace "fuel filter and fuel pump assembly". Refer to [FL-5. "Removal and Installation"](#).

NO >> Repair or replace malfunctioning part.

6. CHECK MASS AIR FLOW SENSOR

 **With CONSULT**

1. Install all removed parts.

2. Check "MASS AIR FLOW" in "DATA MONITOR" mode with CONSULT.

For specification, refer to [EC-587. "Mass Air Flow Sensor"](#).

 **With GST**

1. Install all removed parts.

2. Check mass air flow sensor signal in Service \$01 with GST.

For specification, refer to [EC-587. "Mass Air Flow Sensor"](#).

Is the measurement value within the specification?

YES >> GO TO 7.

NO >> Check connectors for rusted terminals or loose connections in the mass air flow sensor circuit or ground. Refer to [EC-227. "Diagnosis Procedure"](#).

7. CHECK FUNCTION OF FUEL INJECTOR

 **With CONSULT**

1. Start engine.

2. Perform "POWER BALANCE" in "ACTIVE TEST" mode with CONSULT.

3. Check that each circuit produces a momentary engine speed drop.

 **With GST**

1. Let engine idle.

P0171, P0174 FUEL INJECTION SYSTEM FUNCTION

[VQ35DE]

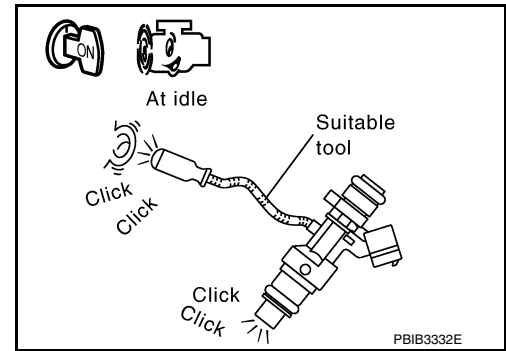
< DTC/CIRCUIT DIAGNOSIS >

2. Listen to each fuel injector operating sound.

Is the inspection result normal?

YES >> GO TO 8.

NO >> Perform trouble diagnosis for FUEL INJECTOR, refer to [EC-550, "Diagnosis Procedure"](#).



8. CHECK FUEL INJECTOR

1. Turn ignition switch OFF.
2. Confirm that the engine is cooled down and there are no fire hazards near the vehicle.
3. Disconnect all fuel injector harness connectors.
4. Remove fuel tube assembly. Refer to [EM-46, "Removal and Installation"](#).
Keep fuel hose and all fuel injectors connected to fuel tube.
5. For DTC P0171, reconnect fuel injector harness connectors on bank 1.
For DTC P0174, reconnect fuel injector harness connectors on bank 2.
6. Disconnect all ignition coil harness connectors.
7. Prepare pans or saucers under each fuel injector.
8. Crank engine for about 3 seconds.
For DTC P0171, check that fuel sprays out from fuel injectors on bank 1.
For DTC P0174, check that fuel sprays out from fuel injectors on bank 2.

Fuel should be sprayed evenly for each fuel injector.

Is the inspection result normal?

YES >> INSPECTION END

NO >> Replace fuel injectors from which fuel does not spray out. Always replace O-ring with new ones.
Refer to [EM-46, "Removal and Installation"](#).

P0172, P0175 FUEL INJECTION SYSTEM FUNCTION

< DTC/CIRCUIT DIAGNOSIS >

[VQ35DE]

P0172, P0175 FUEL INJECTION SYSTEM FUNCTION

DTC Description

INFOID:000000011939811

DTC DETECTION LOGIC

With the Air/Fuel Mixture Ratio Self-Learning Control, the actual mixture ratio can be brought closely to the theoretical mixture ratio based on the mixture ratio feedback signal from A/F sensor 1. The ECM calculates the necessary compensation to correct the offset between the actual and the theoretical ratios.

In case the amount of the compensation value is extremely large (the actual mixture ratio is too rich), the ECM judges the condition as the fuel injection system malfunction and illuminates the MIL (2 trip detection logic).

Sensor	Input signal to ECM	ECM function	Actuator
A/F sensor 1	Density of oxygen in exhaust gas (Mixture ratio feedback signal)	Fuel injection control	Fuel injector

1. Fuel injection system does not operate properly.
2. The amount of mixture ratio compensation is too large. (The mixture ratio is too rich.)

DTC	CONSULT screen terms (Trouble diagnosis content)	DTC detection condition		
P0172	FUEL SYS-RICH-B1 (System too rich bank 1)	1	Diagnosis condition	<ul style="list-style-type: none"> • Clear the mixture ratio self-learning value and start engine and let it idle • Start engine and drive the vehicle
			Signal (terminal)	—
			Threshold	Fuel injection system does not operate properly.
			Diagnosis delay time	—
		2	Diagnosis condition	<ul style="list-style-type: none"> • Clear the mixture ratio self-learning value and start engine and let it idle • Start engine and drive the vehicle
			Signal (terminal)	—
			Threshold	The amount of mixture ratio compensation is too large. (The mixture ratio is too rich.)
			Diagnosis delay time	—
P0175	FUEL SYS-RICH-B2 (System too rich bank 2)	1	Diagnosis condition	<ul style="list-style-type: none"> • Clear the mixture ratio self-learning value and start engine and let it idle • Start engine and drive the vehicle
			Signal (terminal)	—
			Threshold	Fuel injection system does not operate properly.
			Diagnosis delay time	—
		2	Diagnosis condition	<ul style="list-style-type: none"> • Clear the mixture ratio self-learning value and start engine and let it idle • Start engine and drive the vehicle
			Signal (terminal)	—
			Threshold	The amount of mixture ratio compensation is too large. (The mixture ratio is too rich.)
			Diagnosis delay time	—

POSSIBLE CAUSE

P0172

- Intake air leakage
- A/F sensor 1
- Fuel injector
- Exhaust gas leakage
- Incorrect fuel pressure

P0172, P0175 FUEL INJECTION SYSTEM FUNCTION

< DTC/CIRCUIT DIAGNOSIS >

[VQ35DE]

- Mass air flow sensor

P0175

- Intake air leakage
- A/F sensor 1
- Fuel injector
- Exhaust gas leakage
- Incorrect fuel pressure
- Mass air flow sensor

FAIL-SAFE

Not applicable

DTC CONFIRMATION PROCEDURE

1. PRECONDITIONING

If DTC Confirmation Procedure has been previously conducted, always perform the following before conducting the next test.

1. Turn ignition switch OFF and wait at least 10 seconds.
2. Turn ignition switch ON.
3. Turn ignition switch OFF and wait at least 10 seconds.

>> GO TO 2.

2. PERFORM DTC CONFIRMATION PROCEDURE-I

1. Clear the mixture ratio self-learning value. Refer to [EC-162. "Description"](#).
2. Start engine.

Is it difficult to start engine?

- YES >> GO TO 3.
- NO >> GO TO 4.

3. RESTART ENGINE

If it is difficult to start engine, the fuel injection system has a malfunction, too.
Crank engine while depressing accelerator pedal.

NOTE:

- **When depressing accelerator pedal three-fourths (3/4) or more, the control system does not start the engine. Do not depress accelerator pedal too much.**

Does engine start?

- YES >> Proceed to [EC-296. "Diagnosis Procedure"](#).
- NO >> Check exhaust and intake air leakage visually.

4. PERFORM DTC CONFIRMATION PROCEDURE-II

1. Keep engine idle for at least 5 minutes.
2. Check 1st trip DTC.

Is 1st trip DTC detected?

- YES >> Proceed to [EC-296. "Diagnosis Procedure"](#).
- NO >> GO TO 5.

5. PERFORM DTC CONFIRMATION PROCEDURE-III

1. Turn ignition switch OFF and wait at least 10 seconds.
2. Start engine.
3. Maintain the following conditions for at least 10 consecutive minutes.
Hold the accelerator pedal as steady as possible.

VHCL SPEED SE

50 - 120 km/h (31 - 75 mph)

CAUTION:

Always drive vehicle at a safe speed.

4. Check 1st trip DTC.

Is 1st trip DTC detected?

P0172, P0175 FUEL INJECTION SYSTEM FUNCTION

[VQ35DE]

< DTC/CIRCUIT DIAGNOSIS >

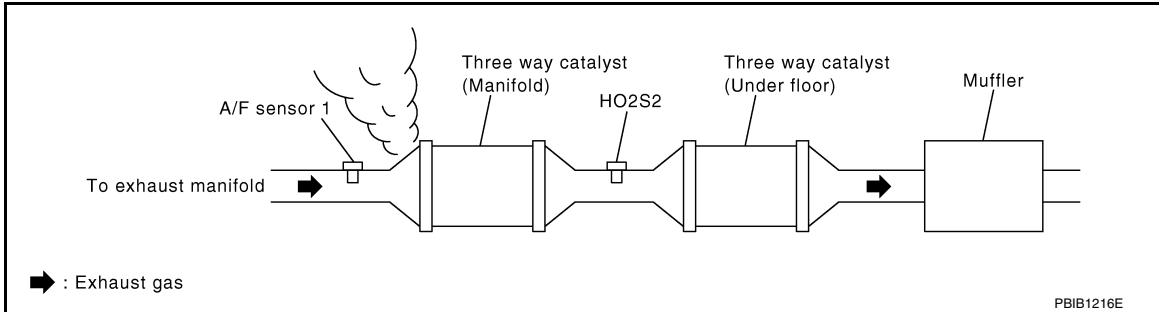
- YES >> Proceed to [EC-296, "Diagnosis Procedure"](#).
 NO-1 >> To check malfunction symptom before repair: Refer to [GI-41, "Intermittent Incident"](#).
 NO-2 >> Confirmation after repair: INSPECTION END

Diagnosis Procedure

INFOID:000000011939812

1. CHECK EXHAUST GAS LEAKAGE

1. Start engine and run it at idle.
2. Listen for an exhaust gas leakage before three way catalyst (manifold).



Is exhaust gas leakage detected?

- YES >> Repair or replace malfunctioning part.
 NO >> GO TO 2.

2. CHECK FOR INTAKE AIR LEAKAGE

Listen for an intake air leakage after the mass air flow sensor.

Is intake air leakage detected?

- YES >> Repair or replace malfunctioning part.
 NO >> GO TO 3.

3. CHECK A/F SENSOR 1 INPUT SIGNAL CIRCUIT

1. Turn ignition switch OFF.
2. Disconnect corresponding A/F sensor 1 harness connector.
3. Disconnect ECM harness connector.
4. Check the continuity between A/F sensor 1 harness connector and ECM harness connector.

DTC	A/F sensor 1			ECM		Continuity
	Bank	Connector	Terminal	Connector	Terminal	
P0172	1	F12	3	F14	66	Existed
			4		67	
P0175	2	F61	3		76	
			4		77	

5. Check the continuity between A/F sensor 1 harness connector and ground, or ECM harness connector and ground.

DTC	A/F sensor 1			Ground	Continuity
	Bank	Connector	Terminal		
P0172	1	F12	3	Ground	Not existed
			4		
P0175	2	F61	3		
			4		

P0172, P0175 FUEL INJECTION SYSTEM FUNCTION

< DTC/CIRCUIT DIAGNOSIS >

[VQ35DE]

DTC	ECM		Ground	Continuity
	Connector	Terminal		
P0172	F14	66	Ground	Not existed
		67		
P0175		76		
		77		

6. Also check harness for short to power.

Is the inspection result normal?

YES >> GO TO 4.

NO >> Repair open circuit, short to ground or short to power in harness or connectors.

4.CHECK FUEL PRESSURE

1. Release fuel pressure to zero. Refer to [EC-168, "Work Procedure"](#).

2. Install fuel pressure gauge kit [SST: — (J-44321)] and check fuel pressure. Refer to [EC-168, "Work Procedure"](#).

At idling: Approximately 350 kPa (3.5 bar, 3.57 kg/cm², 51 psi)

Is the inspection result normal?

YES >> GO TO 5.

NO >> Replace "fuel filter and fuel pump assembly". Refer to [FL-5, "Removal and Installation"](#).

5.CHECK MASS AIR FLOW SENSOR

 **With CONSULT**

1. Install all removed parts.

2. Check "MASS AIR FLOW" in "DATA MONITOR" mode with CONSULT.

For specification, refer to [EC-587, "Mass Air Flow Sensor"](#).

 **With GST**

1. Install all removed parts.

2. Check mass air flow sensor signal in "Service \$01" with GST.

For specification, refer to [EC-587, "Mass Air Flow Sensor"](#).

Is the measurement value within the specification?

YES >> GO TO 6.

NO >> Check connectors for rusted terminals or loose connections in the mass air flow sensor circuit or ground. Refer to [EC-227, "Diagnosis Procedure"](#).

6.CHECK FUNCTION OF FUEL INJECTOR

 **With CONSULT**

1. Start engine.

2. Perform "POWER BALANCE" in "ACTIVE TEST" mode with CONSULT.

3. Check that each circuit produces a momentary engine speed drop.

 **With GST**

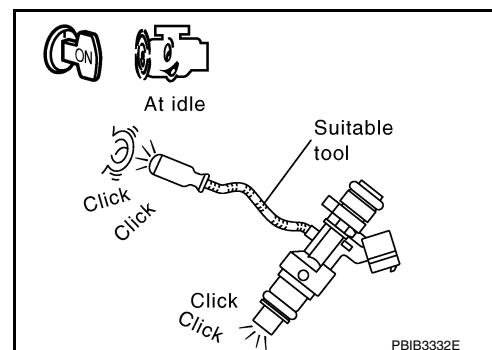
1. Let engine idle.

2. Listen to each fuel injector operating sound.

Is the inspection result normal?

YES >> GO TO 7.

NO >> Perform trouble diagnosis for FUEL INJECTOR, refer to [EC-550, "Diagnosis Procedure"](#).



7.CHECK FUEL INJECTOR

P0172, P0175 FUEL INJECTION SYSTEM FUNCTION

< DTC/CIRCUIT DIAGNOSIS >

[VQ35DE]

1. Remove fuel injector assembly. Refer to [EM-46, "Removal and Installation"](#).
Keep fuel hose and all fuel injectors connected to fuel tube.
2. Confirm that the engine is cooled down and there are no fire hazards near the vehicle.
3. Disconnect all fuel injector harness connectors.
4. Disconnect all ignition coil harness connectors.
5. Prepare pans or saucers under each fuel injectors.
6. Crank engine for about 3 seconds.
Check fuel does not drip from fuel injector.

Is the inspection result normal?

YES >> INSPECTION END

NO >> Replace the fuel injectors from which fuel is dripping. Always replace O-ring with new one. Refer to [EM-46, "Removal and Installation"](#).

P0181 FTT SENSOR

DTC Description

INFOID:0000000011939813

DTC DETECTION LOGIC

1. Rationally incorrect voltage from the sensor is sent to ECM, compared with the voltage signals from ECT sensor and intake air temperature sensor.
2. The comparison result of signals transmitted to ECM from each temperature sensor (IAT sensor, ECT sensor, EOT sensor, and FTT sensor) shows that the voltage signal of the FTT sensor is higher/lower than that of other temperature sensors when the engine is started with its cold state.

DTC	CONSULT screen terms (Trouble diagnosis content)	DTC detection condition		
P0181	FTT SENSOR (Fuel temperature sensor a circuit range/performance)	1	Diagnosis condition	—
			Signal (terminal)	Voltage signal transmitted from FTT sensor to ECM
			Threshold	Rationally incorrect voltage from the sensor is sent to ECM, compared with the voltage signals from ECT sensor and intake air temperature sensor
			Diagnosis delay time	—
		2	Diagnosis condition	—
			Signal (terminal)	Voltage signal transmitted from FTT sensor to ECM
			Threshold	The comparison result of signals transmitted to ECM from each temperature sensor (IAT sensor, ECT sensor, EOT sensor, and FTT sensor) shows that the voltage signal of the FTT sensor is higher/lower than that of other temperature sensors when the engine is started with its cold state
			Diagnosis delay time	—

POSSIBLE CAUSE

P0181 - 1

- Harness or connectors (The FTT sensor circuit is open or shorted)
- FTT sensor

P0181 - 2

- Harness or connectors (The FTT sensor circuit is open or shorted)
- FTT sensor

FAIL-SAFE

Not applicable

DTC CONFIRMATION PROCEDURE

1.INSPECTION START

Is it necessary to erase permanent DTC?

YES >> GO TO 7.

NO >> GO TO 2.

2.PRECONDITIONING

If DTC CONFIRMATION PROCEDURE has been previously conducted, always perform the following procedure before conducting the next test.

1. Turn ignition switch OFF and wait at least 10 seconds.
2. Turn ignition switch ON.
3. Turn ignition switch OFF and wait at least 10 seconds.

>> GO TO 3.

3. PERFORM DTC CONFIRMATION PROCEDURE FOR MALFUNCTION 1-I

1. Turn ignition switch ON and wait at least 10 seconds.
2. Check 1st trip DTC.

Is 1st trip DTC detected?

- YES >> Proceed to [EC-301, "Diagnosis Procedure"](#).
- NO >> GO TO 4.

4. CHECK ENGINE COOLANT TEMPERATURE

 With CONSULT

1. Select "COOLANT TEMP/S" in "DATA MONITOR" with CONSULT.
2. Check "COOLANT TEMP/S" value.

 With GST

Follow the procedure "With CONSULT" above.

"COOLANT TEMP/S" less than 60°C (140°F)?

- YES >> INSPECTION END
- NO >> GO TO 5.

5. PERFORM DTC CONFIRMATION PROCEDURE FOR MALFUNCTION 1-II

 With CONSULT

1. Cool engine down until "COOLANT TEMP/S" is less than 60°C (140°F).
2. Wait at least 10 seconds.
3. Check 1st trip DTC.

 With GST

Follow the procedure "With CONSULT" above.

Is 1st trip DTC detected?

- YES >> Proceed to [EC-301, "Diagnosis Procedure"](#).
- NO >> GO TO 6.

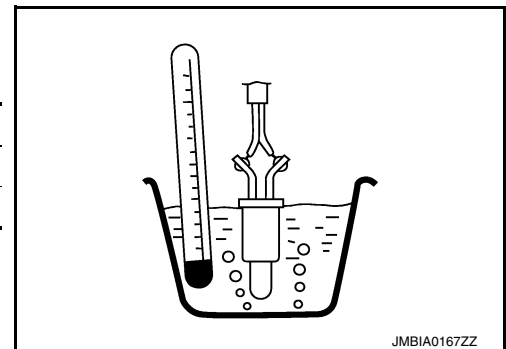
6. CHECK FUEL TANK TEMPERATURE (FTT) SENSOR

1. Turn ignition switch OFF.
2. Disconnect fuel level sensor unit and fuel pump harness connector.
3. Remove fuel level sensor unit. Refer to [FL-5, "Removal and Installation"](#).
4. Check resistance between fuel level sensor unit and fuel pump terminals by heating with hot water as shown in the figure.

Terminals	Condition	Resistance (kΩ)	
1 and 3	Temperature [°C (°F)]	20 (68)	2.3 – 2.7
		50 (122)	0.79 – 0.90

Is the inspection result normal?

- YES >> INSPECTION END
- NO >> Proceed to [EC-301, "Diagnosis Procedure"](#).



JMBIA0167ZZ

7. PRECONDITIONING

If DTC CONFIRMATION PROCEDURE has been previously conducted, always perform the following procedure before conducting the next test.

1. Turn ignition switch OFF and wait at least 10 seconds.
2. Turn ignition switch ON.
3. Turn ignition switch OFF and wait at least 10 seconds.

TESTING CONDITION:

- Before performing the following procedure, do not add fuel.
- Before performing the following procedure, check that fuel level is between 1/4 and 4/4.
- Before performing the following procedure, confirm that battery voltage is 11 V or more at idle.

P0181 FTT SENSOR

[VQ35DE]

< DTC/CIRCUIT DIAGNOSIS >

>> GO TO 8.

8. PERFORM DTC CONFIRMATION PROCEDURE 2

1. Move the vehicle to a cool place.

NOTE:

Cool the vehicle in an environment of ambient air temperature between -10°C (14°F) and 35°C (95°F).

2. Turn ignition switch OFF and leave the vehicle for 12 hours.

CAUTION:

Never turn ignition switch ON during this procedure.

NOTE:

The vehicle must be cooled with the hood open.

3. Start engine and let it idle for 5 minutes or more.

CAUTION:

Never turn ignition switch OFF during idling.

4. Check 1st trip DTC.

Is 1st trip DTC detected?

YES >> Proceed to [EC-301, "Diagnosis Procedure"](#).

NO-1 >> To check malfunction symptom before repair: Refer to [GI-41, "Intermittent Incident"](#).

NO-2 >> Confirmation after repair: INSPECTION END

Diagnosis Procedure

INFOID:0000000011939814

1. INSPECTION START

Confirm the detected malfunction (A or B). Refer to [EC-299, "DTC Description"](#).

Which malfunction is detected?

A >> GO TO 2.

B >> GO TO 5.

2. CHECK FUEL TANK TEMPERATURE SENSOR POWER SUPPLY

1. Turn ignition switch OFF.
2. Disconnect fuel level sensor unit and fuel pump harness connector.
3. Turn ignition switch ON.
4. Check the voltage between fuel level sensor unit and fuel pump harness connector and ground.

+		-	Voltage
Fuel level sensor unit and fuel pump			
Connector	Terminal		
B42	3	Ground	Approx. 5 V

Is the inspection result normal?

YES >> GO TO 4.

NO >> GO TO 3.

3. CHECK FUEL TANK TEMPERATURE SENSOR POWER SUPPLY CIRCUIT

1. Turn ignition switch OFF.
2. Disconnect ECM harness connector.
3. Check the continuity between fuel tank temperature sensor harness connector and ECM harness connector.

Fuel level sensor unit and fuel pump		ECM		Continuity
Connector	Terminal	Connector	Terminal	
B42	3	E10	128	Existed

Is the inspection result normal?

YES >> Perform the trouble diagnosis for power supply circuit.

NO >> Repair or replace error-detected parts.

P0181 FTT SENSOR

< DTC/CIRCUIT DIAGNOSIS >

[VQ35DE]

4. CHECK FUEL TANK TEMPERATURE SENSOR GROUND CIRCUIT FOR OPEN AND SHORT

1. Turn ignition switch OFF.
2. Disconnect ECM harness connector.
3. Check the continuity between fuel level sensor unit and fuel pump harness connector and ECM harness connector.

Fuel level sensor unit and fuel pump		ECM		Continuity
Connector	Terminal	Connector	Terminal	
B42	1	E10	148	Existed

4. Also check harness for short to ground and short to power.

Is the inspection result normal?

YES >> GO TO 5.

NO >> Repair open circuit, short to ground or short to power in harness or connector.

5. CHECK FUEL TANK TEMPERATURE SENSOR

Check fuel tank temperature sensor. Refer to [EC-302, "Component Inspection"](#).

Is the inspection result normal?

YES >> INSPECTION END

NO >> Replace fuel level sensor unit and fuel pump. Refer to [FL-5, "Removal and Installation"](#).

Component Inspection

INFOID:000000011939815

1. CHECK FUEL TANK TEMPERATURE SENSOR

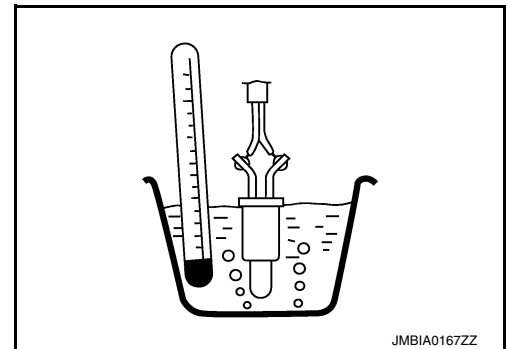
1. Turn ignition switch OFF.
2. Remove fuel level sensor unit. Refer to [FL-5, "Removal and Installation"](#).
3. Check resistance between "fuel level sensor unit and fuel pump" terminals by heating with hot water as shown in the figure.

Mass air flow sensor		Condition	Resistance (kΩ)	
+	-			
Terminals				
3	1	Temperature [°C (°F)]	20 (68)	2.3 - 2.7 kΩ
			50 (122)	0.79 - 0.90 kΩ

Is the inspection result normal?

YES >> INSPECTION END

NO >> Replace fuel level sensor unit and fuel pump. Refer to [FL-5, "Removal and Installation"](#).



P0182, P0183 FTT SENSOR

DTC Description

INFOID:000000011939816

DTC DETECTION LOGIC

- An excessively low voltage from the sensor is sent to ECM.
- An excessively high voltage from the sensor is sent to ECM.

DTC	CONSULT screen terms (Trouble diagnosis content)	DTC detection condition	
		Diagnosis condition	Signal (terminal)
P0182	FTT_SEN/CIRCUIT (Fuel temperature sensor "A" circuit low)	Diagnosis condition	Ignition switch ON
		Signal (terminal)	Voltage signal transmitted from fuel tank temperature sensor to ECM
		Threshold	An excessively low voltage from the sensor is sent to ECM
		Diagnosis delay time	—
P0183	FTT_SEN/CIRCUIT (Fuel temperature sensor "A" circuit high)	Diagnosis condition	Ignition switch ON
		Signal (terminal)	Voltage signal transmitted from fuel tank temperature sensor to ECM
		Threshold	An excessively high voltage from the sensor is sent to ECM
		Diagnosis delay time	—

POSSIBLE CAUSE

P0182

- Harness or connectors (The sensor circuit is open or shorted.)
- Fuel tank temperature sensor

P0183

- Harness or connectors (The sensor circuit is open or shorted.)
- Fuel tank temperature sensor

FAIL-SAFE

Not applicable

DTC CONFIRMATION PROCEDURE

1. PRECONDITIONING

If DTC Confirmation Procedure has been previously conducted, always perform the following before conducting the next test.

1. Turn ignition switch OFF and wait at least 10 seconds.
2. Turn ignition switch ON.
3. Turn ignition switch OFF and wait at least 10 seconds.

>> GO TO 2.

2. PERFORM DTC CONFIRMATION PROCEDURE

1. Turn ignition switch ON and wait at least 5 seconds.
2. Check 1st trip DTC.

Is 1st trip DTC detected?

- YES >> Proceed to [EC-303, "Diagnosis Procedure"](#).
- NO-1 >> To check malfunction symptom before repair: Refer to [GI-41, "Intermittent Incident"](#).
- NO-2 >> Confirmation after repair: INSPECTION END

Diagnosis Procedure

INFOID:000000011939817

1. CHECK FUEL TANK TEMPERATURE SENSOR POWER SUPPLY

P0182, P0183 FTT SENSOR

[VQ35DE]

< DTC/CIRCUIT DIAGNOSIS >

1. Turn ignition switch OFF.
2. Disconnect "fuel level sensor unit and fuel pump" harness connector.
3. Turn ignition switch ON.
4. Check the voltage between "fuel level sensor unit and fuel pump" harness connector and ground.

+		-	Voltage
Connector	Terminal		
B42	3	Ground	Approx. 5 V

Is the inspection result normal?

- YES >> GO TO 3.
NO >> GO TO 2.

2.CHECK FUEL TANK TEMPERATURE SENSOR POWER SUPPLY CIRCUIT

1. Turn ignition switch OFF.
2. Disconnect ECM harness connector.
3. Check the continuity between "fuel level sensor unit and fuel pump" harness connector and ECM harness connector.

Fuel level sensor unit and fuel pump		ECM		Continuity
Connector	Terminal	Connector	Terminal	
B42	3	E10	128	Existed

4. Also check harness for short to ground and short to power.

Is the inspection result normal?

- YES >> GO TO 3.
NO >> Repair or replace error-detected parts.

3.CHECK FUEL TANK TEMPERATURE SENSOR GROUND CIRCUIT

1. Turn ignition switch OFF.
2. Disconnect ECM harness connector.
3. Check the continuity between "fuel level sensor unit and fuel pump" harness connector and ECM harness connector.

Fuel level sensor unit and fuel pump		ECM		Continuity
Connector	Terminal	Connector	Terminal	
B42	1	E10	148	Existed

4. Also check harness for short to ground and short to power.

Is the inspection result normal?

- YES >> GO TO 4.
NO >> Repair or replace error-detected parts.

4.CHECK FUEL TANK TEMPERATURE SENSOR

Check fuel tank temperature sensor. Refer to [EC-304, "Component Inspection"](#).

Is the inspection result normal?

- YES >> INSPECTION END
NO >> Replace "fuel level sensor unit and fuel pump". Refer to [FL-5, "Removal and Installation"](#).

Component Inspection

INFOID:000000011939818

1.CHECK FUEL TANK TEMPERATURE SENSOR

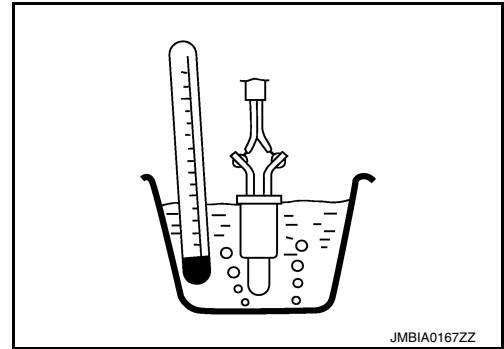
1. Turn ignition switch OFF.
2. Remove fuel level sensor unit. Refer to [FL-5, "Removal and Installation"](#).

P0182, P0183 FTT SENSOR

[VQ35DE]

< DTC/CIRCUIT DIAGNOSIS >

3. Check resistance between “fuel level sensor unit and fuel pump” terminals by heating with hot water as shown in the figure.



Mass air flow sensor		Condition	Resistance (kΩ)	
+	-			
Terminals				
3	1	Temperature [°C (°F)]	20 (68)	2.3 - 2.7 kΩ
			50 (122)	0.79 - 0.90 kΩ

Is the inspection result normal?

YES >> INSPECTION END

NO >> Replace fuel level sensor unit and fuel pump. Refer to [FL-5. "Removal and Installation"](#).

A
EC
C
D
E
F
G
H
I
J
K
L
M
N
O
P

P0196 EOT SENSOR

< DTC/CIRCUIT DIAGNOSIS >

[VQ35DE]

P0196 EOT SENSOR

DTC Description

INFOID:000000011939819

DTC DETECTION LOGIC

1. Rationally incorrect voltage from the sensor is sent to ECM, compared with the voltage signals from EOT sensor and intake air temperature sensor.
2. The comparison result of signals transmitted to ECM from each temperature sensor (IAT sensor, ECT sensor, FTT sensor, and EOT sensor) shows that the signal voltage of the EOT sensor is higher/lower than that of other temperature sensors when the engine is started with its cold state.

DTC	CONSULT screen terms (Trouble diagnosis content)	DTC detection condition		
P0196	EOT SENSOR (Engine oil temperature sensor range/performance)	1	Diagnosis condition	—
			Signal (terminal)	Voltage signal transmitted from EOT sensor to ECM
			Threshold	Rationally incorrect voltage from the sensor is sent to ECM, compared with the voltage signals from EOT sensor and intake air temperature sensor
			Diagnosis delay time	—
		2	Diagnosis condition	—
			Signal (terminal)	Voltage signal transmitted from EOT sensor to ECM
			Threshold	The comparison result of signals transmitted to ECM from each temperature sensor (IAT sensor, ECT sensor, FTT sensor, and EOT sensor) shows that the signal voltage of the EOT sensor is higher/lower than that of other temperature sensors when the engine is started with its cold state
			Diagnosis delay time	—

POSSIBLE CAUSE

P0196 - 1

- Harness or connectors (The EOT sensor circuit is open or shorted)
- EOT sensor

P0196 - 2

- Harness or connectors (High or low resistance in the EOT sensor circuit)
- EOT sensor

FAIL-SAFE

Engine operating condition in fail-safe mode	
Fail safe mode	Vehicle behavior
Engine oil temperature sensor	Intake valve timing control does not function.

DTC CONFIRMATION PROCEDURE

1. CHECK DTC PRIORITY

If DTC P0196 is displayed with another DTC P0197 or P0198, first perform the trouble diagnosis for DTC P0197 or P0198.

Is applicable DTC detected?

- YES >> Perform diagnosis of applicable.
- DTC P0197: Refer to [EC-310, "DTC Description"](#).
 - DTC P0198: Refer to [EC-310, "DTC Description"](#).
- NO >> GO TO 2.

2.INSPECTION START

Is it necessary to erase permanent DTC?

- YES >> GO TO 7.
- NO >> GO TO 3.

3.PRECONDITIONING

If DTC CONFIRMATION PROCEDURE has been previously conducted, always perform the following procedure before conducting the next test.

1. Turn ignition switch OFF and wait at least 10 seconds.
2. Turn ignition switch ON.
3. Turn ignition switch OFF and wait at least 10 seconds.

TESTING CONDITION:

Before performing the following procedure, confirm that battery voltage is 11 V or more at idle.

>> GO TO 4.

4.PERFORM DTC CONFIRMATION PROCEDURE FOR MULFUNCTION 1-I

1. Start engine and warm it up to normal operating temperature.
2. Turn ignition switch OFF and wait at least 10 seconds.
3. Turn ignition switch ON.
4. Turn ignition switch OFF and wait at least 10 seconds.
5. Start engine and let it idle for 5 minutes and 10 seconds.
6. Check 1st trip DTC.

Is 1st trip DTC detected?

- YES >> Proceed to [EC-308. "Diagnosis Procedure"](#).
- NO >> GO TO 5.

5.PERFORM DTC CONFIRMATION PROCEDURE FOR MULFUNCTION 1-II

 With CONSULT

1. Select "DATA MONITOR" mode with CONSULT.
2. Check that "COOLANT TEMP/S" indicates above 60°C (140°F).
If it is above 60°C (140°F), go to the following steps.
If it is below 60°C (140°F), warm engine up until "COOLANT TEMP/S" indicates more than 60°C (140°F). Then perform the following steps.
3. Turn ignition switch OFF and soak the vehicle in a cool place.
4. Turn ignition switch ON.
NOTE:
Do not turn ignition switch OFF until step 8.
5. Select "DATA MONITOR" mode with CONSULT.
6. Check the following.

COOLANT TEMP/S	Below 40°C (104°F)
INT/A TEMP SE	Below 40°C (104°F)
Difference between "COOLANT TEMP/S" and "INT/A TEMP SE"	Within 6°C (11°F)


If they are within the specified range, perform the following steps.

If they are out of the specified range, soak the vehicle to meet the above conditions. Then perform the following steps.

NOTE:

- Do not turn ignition switch OFF.
- If it is supposed to need a long period of time, do not deplete the battery.

7. Start engine and let it idle for 5 minutes.
8. Check 1st trip DTC.

 With GST

Follow the procedure "With CONSULT" above.

Is 1st trip DTC detected?

P0196 EOT SENSOR

[VQ35DE]

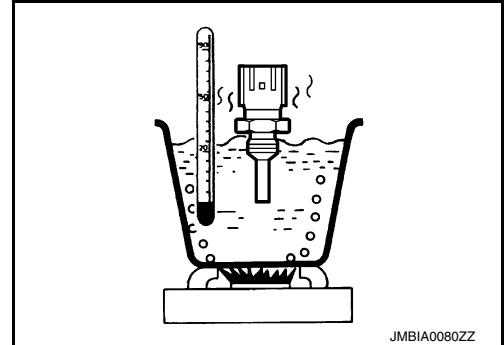
< DTC/CIRCUIT DIAGNOSIS >

- YES >> Proceed to [EC-308. "Diagnosis Procedure"](#).
NO >> GO TO 6.

6. CHECK ENGINE OIL TEMPERATURE (EOT) SENSOR

1. Turn ignition switch OFF.
2. Disconnect EOT sensor harness connector.
3. Remove EOT sensor. Refer to [EC-15. "ENGINE CONTROL SYSTEM : Component Parts Location"](#).
4. Check resistance between EOT sensor terminals by heating with hot water as shown in the figure.

Terminals	Condition	Resistance (kΩ)	
1 and 2	Temperature [°C (°F)]	20 (68)	2.37 – 2.63
		50 (122)	0.68 – 1.00
		90 (194)	0.236 – 0.260



Is the inspection result normal?

- YES >> INSPECTION END
NO >> Proceed to [EC-308. "Diagnosis Procedure"](#).

7. PRECONDITIONING

If DTC CONFIRMATION PROCEDURE has been previously conducted, always perform the following procedure before conducting the next test.

1. Turn ignition switch OFF and wait at least 10 seconds.
2. Turn ignition switch ON.
3. Turn ignition switch OFF and wait at least 10 seconds.

TESTING CONDITION:

- Before performing the following procedure, do not add fuel.
- Before performing the following procedure, check that fuel level is between 1/4 and 4/4.
- Before performing the following procedure, confirm that battery voltage is 11 V or more at idle.

>> GO TO 8.

8. PERFORM DTC CONFIRMATION PROCEDURE 2

1. Move the vehicle to a cool place.

NOTE:

Cool the vehicle in an environment of ambient air temperature between -10°C (14°F) and 35°C (95°F).

2. Turn ignition switch OFF and leave the vehicle for 12 hours.

CAUTION:

Never turn ignition switch ON during this procedure.

NOTE:

The vehicle must be cooled with the hood open.

3. Start engine and let it idle for 5 minutes or more.

CAUTION:

Never turn ignition switch OFF during idling.

4. Check 1st trip DTC.

Is 1st trip DTC detected?

- YES >> Proceed to [EC-308. "Diagnosis Procedure"](#).
NO-1 >> To check malfunction symptom before repair: Refer to [GI-41. "Intermittent Incident"](#).
NO-2 >> Confirmation after repair: INSPECTION END

Diagnosis Procedure

INFOID:000000011939820

1. CHECK DTC PRIORITY

If DTC P0196 is displayed with another DTC P0197 or P0198, first perform the trouble diagnosis for DTC P0197 or P0198.

Is applicable DTC detected?

- YES >> Perform diagnosis of applicable.
• DTC P0197: Refer to [EC-310. "DTC Description"](#).

P0196 EOT SENSOR

[VQ35DE]

< DTC/CIRCUIT DIAGNOSIS >

- DTC P0198: Refer to [EC-310, "DTC Description"](#).

NO >> GO TO 2.

2. CHECK ENGINE OIL TEMPERATURE SENSOR

Check engine oil temperature sensor. Refer to [EC-309, "Component Inspection"](#).

Is the inspection result normal?

YES >> INSPECTION END

NO >> Replace engine oil temperature sensor. Refer to [EC-15, "ENGINE CONTROL SYSTEM : Component Parts Location"](#).

Component Inspection

INFOID:000000011939821

1. CHECK ENGINE OIL TEMPERATURE SENSOR

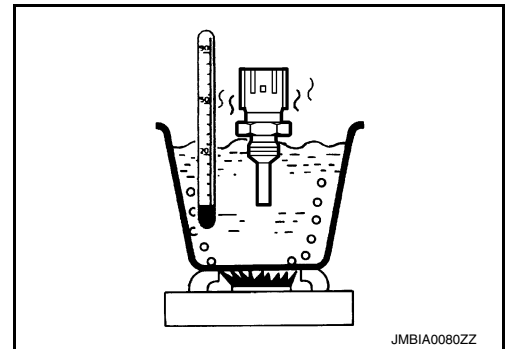
1. Turn ignition switch OFF.
2. Disconnect engine oil temperature sensor harness connector.
3. Remove engine oil temperature sensor. Refer to [EC-15, "ENGINE CONTROL SYSTEM : Component Parts Location"](#).
4. Check resistance between engine oil temperature sensor terminals by heating with hot water as shown in the figure.

Terminals	Condition	Resistance (k Ω)	
1 and 2	Temperature [$^{\circ}$ C ($^{\circ}$ F)]	20 (68)	2.37 - 2.63
		50 (122)	0.68 - 1.00
		90 (194)	0.236 - 0.260

Is the inspection result normal?

YES >> INSPECTION END

NO >> Replace engine oil temperature sensor. Refer to [EC-15, "ENGINE CONTROL SYSTEM : Component Parts Location"](#).



P0197, P0198 EOT SENSOR

< DTC/CIRCUIT DIAGNOSIS >

[VQ35DE]

P0197, P0198 EOT SENSOR

DTC Description

INFOID:000000011939822

DTC DETECTION LOGIC

- An excessively low voltage from the sensor is sent to ECM.
- An excessively high voltage from the sensor is sent to ECM.

DTC	CONSULT screen terms (Trouble diagnosis content)	DTC detection condition	
		Diagnosis condition	Start engine and let it idle
P0197	EOT SEN/CIRC (Engine oil temperature sensor circuit low)	Signal (terminal)	Voltage signal transmitted from engine oil temperature sensor to ECM
		Threshold	An excessively low voltage from the sensor is sent to ECM
		Diagnosis delay time	—
		Diagnosis condition	Start engine and let it idle
P0198	EOT SEN/CIRC (Engine oil temperature sensor circuit high)	Signal (terminal)	Voltage signal transmitted from engine oil temperature sensor to ECM
		Threshold	An excessively high voltage from the sensor is sent to ECM
		Diagnosis delay time	—
		Diagnosis condition	Start engine and let it idle

POSSIBLE CAUSE

P0197

- Harness or connectors (The sensor circuit is open or shorted.)
- Engine oil temperature sensor

P0198

- Harness or connectors (The sensor circuit is open or shorted.)
- Engine oil temperature sensor

FAIL-SAFE

Engine operating condition in fail-safe mode	
Fail safe mode	Vehicle behavior
Engine oil temperature sensor	Intake valve timing control does not function.

DTC CONFIRMATION PROCEDURE

1. PRECONDITIONING

If DTC Confirmation Procedure has been previously conducted, always perform the following before conducting the next test.

1. Turn ignition switch OFF and wait at least 10 seconds.
2. Turn ignition switch ON.
3. Turn ignition switch OFF and wait at least 10 seconds.

>> GO TO 2.

2. PERFORM DTC CONFIRMATION PROCEDURE

1. Start engine and wait at least 5 seconds.
2. Check 1st trip DTC.

Is 1st trip DTC detected?

- YES >> Proceed to [EC-311, "Diagnosis Procedure"](#).
- NO-1 >> To check malfunction symptom before repair: Refer to [GI-41, "Intermittent Incident"](#).
- NO-2 >> Confirmation after repair: INSPECTION END

P0197, P0198 EOT SENSOR

< DTC/CIRCUIT DIAGNOSIS >

[VQ35DE]

INFOID:000000011939823

Diagnosis Procedure

1. CHECK EOT SENSOR POWER SUPPLY

1. Disconnect engine oil temperature (EOT) sensor harness connector.
2. Turn ignition switch ON.
3. Check the voltage between EOT sensor harness connector and ground.

+		-	Voltage
EOT sensor			
Connector	Terminal		
F68	1	Ground	Approx. 5 V

Is the inspection result normal?

YES >> GO TO 2.

NO >> Repair open circuit, short to ground or short to power in harness or connectors.

2. CHECK EOT SENSOR GROUND CIRCUIT FOR OPEN AND SHORT

1. Turn ignition switch OFF.
2. Disconnect ECM harness connector.
3. Check the continuity between EOT sensor harness connector and ECM harness connector.

EOT sensor		ECM		Continuity
Connector	Terminal	Connector	Terminal	
F68	2	F13	15	Existed

4. Also check harness for short to ground and short to power.

Is the inspection result normal?

YES >> GO TO 3.

NO >> Repair open circuit, short to ground or short to power in harness or connectors.

3. CHECK ENGINE OIL TEMPERATURE SENSOR

Check engine oil temperature sensor. Refer to [EC-311. "Component Inspection"](#).

Is the inspection result normal?

YES >> INSPECTION END

NO >> Replace engine oil temperature sensor. Refer to [EC-15. "ENGINE CONTROL SYSTEM : Component Parts Location"](#).

Component Inspection

INFOID:000000011939824

1. CHECK ENGINE OIL TEMPERATURE SENSOR

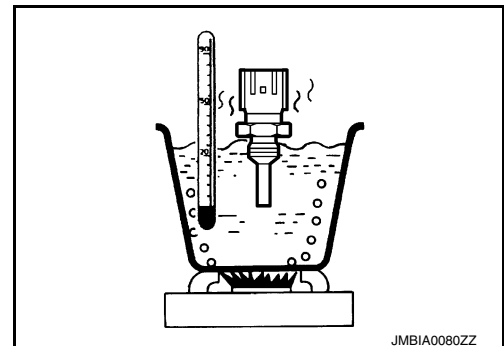
1. Turn ignition switch OFF.
2. Disconnect engine oil temperature sensor harness connector.
3. Remove engine oil temperature sensor. Refer to [EC-15. "ENGINE CONTROL SYSTEM : Component Parts Location"](#).
4. Check resistance between engine oil temperature sensor terminals by heating with hot water as shown in the figure.

Terminals	Condition	Resistance (kΩ)	
1 and 2	Temperature [°C (°F)]	20 (68)	2.37 - 2.63
		50 (122)	0.68 - 1.00
		90 (194)	0.236 - 0.260

Is the inspection result normal?

YES >> INSPECTION END

NO >> Replace engine oil temperature sensor. Refer to [EC-15. "ENGINE CONTROL SYSTEM : Component Parts Location"](#).



P0222, P0223 TP SENSOR

< DTC/CIRCUIT DIAGNOSIS >

[VQ35DE]

P0222, P0223 TP SENSOR

DTC Description

INFOID:000000011939825

DTC DETECTION LOGIC

- An excessively low voltage from the TP sensor 1 is sent to ECM.
- An excessively high voltage from the TP sensor 1 is sent to ECM.

DTC	CONSULT screen terms (Trouble diagnosis content)	DTC detection condition	
		Diagnosis condition	Start engine and let it idle
P0222	TP SEN 1/CIRC-B1 (Throttle/Pedal position sensor/switch "B" circuit low)	Signal (terminal)	Voltage signal transmitted from TP sensor 1 to ECM
		Threshold	An excessively low voltage from the TP sensor 1 is sent to ECM
		Diagnosis delay time	—
		Diagnosis condition	Start engine and let it idle
P0223	TP SEN 1/CIRC-B1 (Throttle/Pedal position sensor/switch "B" circuit high)	Signal (terminal)	Voltage signal transmitted from TP sensor 1 to ECM
		Threshold	An excessively high voltage from the TP sensor 1 is sent to ECM
		Diagnosis delay time	—
		Diagnosis condition	Start engine and let it idle

POSSIBLE CAUSE

P0222

- Harness or connectors (TP sensor 1 circuit is open or shorted.)
- Electric throttle control actuator (TP sensor 1)

P0223

- Harness or connectors (TP sensor 1 circuit is open or shorted.)
- Electric throttle control actuator (TP sensor 1)

FAIL-SAFE

Engine operating condition in fail-safe mode	
Fail safe mode	Vehicle behavior
Throttle position sensor	The ECM controls the electric throttle control actuator in regulating the throttle opening in order for the idle position to be within +10 degrees. The ECM regulates the opening speed of the throttle valve to be slower than the normal condition. Therefore, the acceleration will be poor.

DTC CONFIRMATION PROCEDURE

1. CHECK DTC PRIORITY

If DTC P0222 or P0223 is displayed with another DTC P0643, first perform the trouble diagnosis for DTC P0643.

Is applicable DTC detected?

- YES >> Perform diagnosis of applicable. Refer to [EC-424, "DTC Description"](#).
NO >> GO TO 2.

2. PRECONDITIONING

If DTC Confirmation Procedure has been previously conducted, always perform the following before conducting the next test.

1. Turn ignition switch OFF and wait at least 10 seconds.
2. Turn ignition switch ON.
3. Turn ignition switch OFF and wait at least 10 seconds.

TESTING CONDITION:

P0222, P0223 TP SENSOR

< DTC/CIRCUIT DIAGNOSIS >

[VQ35DE]

Before performing the following procedure, confirm that battery voltage is more than 10 V at idle.

>> GO TO 3.

3.PERFORM DTC CONFIRMATION PROCEDURE

1. Start engine and let it idle for 1 second.
2. Check DTC.

Is DTC detected?

- YES >> Proceed to [EC-313, "Diagnosis Procedure"](#).
NO-1 >> To check malfunction symptom before repair: Refer to [GI-41, "Intermittent Incident"](#).
NO-2 >> Confirmation after repair: INSPECTION END

Diagnosis Procedure

INFOID:000000011939826

1.CHECK DTC PRIORITY

If DTC P0222 or P0223 is displayed with another DTC P0643, first perform the trouble diagnosis for DTC P0643.

Is applicable DTC detected?

- YES >> Perform diagnosis of applicable. Refer to [EC-424, "DTC Description"](#).
NO >> GO TO 2.

2.CHECK THROTTLE POSITION SENSOR 1 POWER SUPPLY

1. Disconnect electric throttle control actuator harness connector.
2. Turn ignition switch ON.
3. Check the voltage between electric throttle control actuator harness connector and ground.

+		-	Voltage
Connector	Terminal		
F57	5	Ground	Approx. 5 V

Is the inspection result normal?

- YES >> GO TO 4.
NO >> GO TO 3.

3.CHECK THROTTLE POSITION SENSOR 1 POWER SUPPLY CIRCUIT

1. Turn ignition switch OFF.
2. Disconnect ECM harness connector.
3. Check the continuity between electric throttle control actuator and ECM harness connector.

Electric throttle control actuator		ECM		Continuity
Connector	Terminal	Connector	Terminal	
F57	5	F14	98	Existed

Is the inspection result normal?

- YES >> INSPECTION END
NO >> Repair or replace error-detected parts.

4.CHECK THROTTLE POSITION SENSOR 1 GROUND CIRCUIT

1. Turn ignition switch OFF.
2. Disconnect ECM harness connector.
3. Check the continuity between electric throttle control actuator and ECM harness connector.

Electric throttle control actuator		ECM		Continuity
Connector	Terminal	Connector	Terminal	
F57	4	F14	75	Existed

P0222, P0223 TP SENSOR

[VQ35DE]

< DTC/CIRCUIT DIAGNOSIS >

4. Also check harness for short to ground and short to power.

Is the inspection result normal?

YES >> GO TO 5.

NO >> Repair open circuit, short to ground or short to power in harness or connectors.

5. CHECK THROTTLE POSITION SENSOR 1 INPUT SIGNAL CIRCUIT

1. Check the continuity between electric throttle control actuator and ECM harness connector.

Electric throttle control actuator		ECM		Continuity
Connector	Terminal	Connector	Terminal	
F57	6	F14	71	Existed

2. Also check harness for short to ground and short to power.

Is the inspection result normal?

YES >> GO TO 6.

NO >> Repair open circuit, short to ground or short to power in harness or connectors.

6. CHECK THROTTLE POSITION SENSOR

Check throttle position sensor. Refer to [EC-314, "Component Inspection"](#).

Is the inspection result normal?

YES >> INSPECTION END

NO >> Replace electric throttle control actuator. Refer to [EM-27, "Removal and Installation"](#).

Component Inspection

INFOID:000000011939827

1. CHECK THROTTLE POSITION SENSOR

1. Turn ignition switch OFF.
2. Reconnect all harness connectors disconnected.
3. Perform Throttle Valve Closed Position Learning. Refer to [EC-159, "Description"](#).
4. Turn ignition switch ON.
5. Set selector lever to D position.
6. Check the voltage between ECM harness connector terminals under the following conditions.

Connector	ECM		Condition	Voltage
	+	-		
	Terminal	Terminal		
F14	71	75	Fully released	More than 0.36 V
			Fully depressed	Less than 4.75 V
	72		Fully released	Less than 4.75 V
			Fully depressed	More than 0.36 V

Is the inspection result normal?

YES >> INSPECTION END

NO >> Replace electric throttle control actuator. Refer to [EM-27, "Removal and Installation"](#).

P0300, P0301, P0302, P0303, P0304, P0305, P0306 MISFIRE

< DTC/CIRCUIT DIAGNOSIS >

[VQ35DE]

P0300, P0301, P0302, P0303, P0304, P0305, P0306 MISFIRE

DTC Description

INFOID:000000011939828

DTC DETECTION LOGIC

When a misfire occurs, engine speed will fluctuate. If the engine speed fluctuates enough to cause the crankshaft position (CKP) sensor (POS) signal to vary, ECM can determine that a misfire is occurring.

Sensor	Input signal to ECM	ECM function
Crankshaft position sensor (POS)	Engine speed	On board diagnosis of misfire

The misfire detection logic consists of the following two conditions.

- One Trip Detection Logic (Three Way Catalyst Damage)**
 On the 1st trip, when a misfire condition occurs that can damage the three way catalyst (TWC) due to overheating, the MIL will blink.
 When a misfire condition occurs, the ECM monitors the CKP sensor signal every 200 engine revolutions for a change.
 When the misfire condition decreases to a level that will not damage the TWC, the MIL will turn off.
 If another misfire condition occurs that can damage the TWC on a second trip, the MIL will blink.
 When the misfire condition decreases to a level that will not damage the TWC, the MIL will remain on.
 If another misfire condition occurs that can damage the TWC, the MIL will begin to blink again.
- Two Trip Detection Logic (Exhaust quality deterioration)**
 For misfire conditions that will not damage the TWC (but will affect vehicle emissions), the MIL will only illuminate when the misfire is detected on a second trip. During this condition, the ECM monitors the CKP sensor signal every 1,000 engine revolutions.
 A misfire malfunction can be detected in any one cylinder or in multiple cylinders.

DTC	CONSULT screen terms (Trouble diagnosis content)	DTC detection condition	
		Diagnosis condition	Signal (terminal)
P0300	MULTI CYL MISFIRE (Random/Multiple cylinder misfire detected)	Diagnosis condition	—
		Signal (terminal)	—
		Threshold	Multiple cylinders misfire
		Diagnosis delay time	—
P0301	CYL 1 MISFIRE (Cylinder 1 misfire detected)	Diagnosis condition	—
		Signal (terminal)	—
		Threshold	No. 1 cylinder misfires
		Diagnosis delay time	—
P0302	CYL 2 MISFIRE (Cylinder 2 misfire detected)	Diagnosis condition	—
		Signal (terminal)	—
		Threshold	No. 2 cylinder misfires
		Diagnosis delay time	—
P0303	CYL 3 MISFIRE (Cylinder 3 misfire detected)	Diagnosis condition	—
		Signal (terminal)	—
		Threshold	No. 3 cylinder misfires
		Diagnosis delay time	—
P0304	CYL 4 MISFIRE (Cylinder 4 misfire detected)	Diagnosis condition	—
		Signal (terminal)	—
		Threshold	No. 4 cylinder misfires
		Diagnosis delay time	—

P0300, P0301, P0302, P0303, P0304, P0305, P0306 MISFIRE

< DTC/CIRCUIT DIAGNOSIS >

[VQ35DE]

P0305	CYL 5 MISFIRE (Cylinder 5 misfire detected)	Diagnosis condition	—
		Signal (terminal)	—
		Threshold	No. 5 cylinder misfires
		Diagnosis delay time	—
P0306	CYL 6 MISFIRE (Cylinder 6 misfire detected)	Diagnosis condition	—
		Signal (terminal)	—
		Threshold	No. 6 cylinder misfires
		Diagnosis delay time	—

POSSIBLE CAUSE

P0300

- Improper spark plug
- Insufficient compression
- Incorrect fuel pressure
- The fuel injector circuit is open or shorted
- Fuel injector
- Intake air leakage
- The ignition signal circuit is open or shorted
- Lack of fuel
- Signal plate
- A/F sensor 1
- Incorrect PCV hose connection

P0301

- Improper spark plug
- Insufficient compression
- Incorrect fuel pressure
- The fuel injector circuit is open or shorted
- Fuel injector
- Intake air leakage
- The ignition signal circuit is open or shorted
- Lack of fuel
- Signal plate
- A/F sensor 1
- Incorrect PCV hose connection

P0302

- Improper spark plug
- Insufficient compression
- Incorrect fuel pressure
- The fuel injector circuit is open or shorted
- Fuel injector
- Intake air leakage
- The ignition signal circuit is open or shorted
- Lack of fuel
- Signal plate
- A/F sensor 1
- Incorrect PCV hose connection

P0303

- Improper spark plug
- Insufficient compression
- Incorrect fuel pressure
- The fuel injector circuit is open or shorted
- Fuel injector
- Intake air leakage
- The ignition signal circuit is open or shorted
- Lack of fuel
- Signal plate

P0300, P0301, P0302, P0303, P0304, P0305, P0306 MISFIRE

< DTC/CIRCUIT DIAGNOSIS >

[VQ35DE]

- A/F sensor 1
- Incorrect PCV hose connection

A

P0304

- Improper spark plug
- Insufficient compression
- Incorrect fuel pressure
- The fuel injector circuit is open or shorted
- Fuel injector
- Intake air leakage
- The ignition signal circuit is open or shorted
- Lack of fuel
- Signal plate
- A/F sensor 1
- Incorrect PCV hose connection

EC

C

D

P0305

- Improper spark plug
- Insufficient compression
- Incorrect fuel pressure
- The fuel injector circuit is open or shorted
- Fuel injector
- Intake air leakage
- The ignition signal circuit is open or shorted
- Lack of fuel
- Signal plate
- A/F sensor 1
- Incorrect PCV hose connection

E

F

G

H

P0306

- Improper spark plug
- Insufficient compression
- Incorrect fuel pressure
- The fuel injector circuit is open or shorted
- Fuel injector
- Intake air leakage
- The ignition signal circuit is open or shorted
- Lack of fuel
- Signal plate
- A/F sensor 1
- Incorrect PCV hose connection

I

J

K

L

FAIL-SAFE

Not applicable

M

DTC CONFIRMATION PROCEDURE

1. PRECONDITIONING

If DTC Confirmation Procedure has been previously conducted, always perform the following procedure before conducting the next test.

1. Turn ignition switch OFF and wait at least 10 seconds.
2. Turn ignition switch ON.
3. Turn ignition switch OFF and wait at least 10 seconds.

N

O

>> GO TO 2.

2. PERFORM DTC CONFIRMATION PROCEDURE-I

P

1. Start engine and warm it up to normal operating temperature.
2. Turn ignition switch OFF and wait at least 10 seconds.
3. Turn ignition switch ON.
4. Turn ignition switch OFF and wait at least 10 seconds.
5. Restart engine and let it idle for approximately 15 minutes.
6. Check 1st trip DTC.

P0300, P0301, P0302, P0303, P0304, P0305, P0306 MISFIRE

< DTC/CIRCUIT DIAGNOSIS >

[VQ35DE]

Is 1st trip DTC detected?

- YES >> Proceed to [EC-318, "Diagnosis Procedure"](#).
- NO >> GO TO 3.

3.PERFORM DTC CONFIRMATION PROCEDURE-II

1. Turn ignition switch OFF and wait at least 10 seconds.
2. Turn ignition switch ON.
3. Turn ignition switch OFF and wait at least 10 seconds.
4. Start engine and drive the vehicle under similar conditions to (1st trip) Freeze Frame Data for a certain time. Refer to the table below.

Hold the accelerator pedal as steady as possible.

Similar conditions to (1st trip) Freeze Frame Data mean that the following conditions should be satisfied at the same time.

CAUTION:

Always drive vehicle in safe manner according to traffic conditions and obey all traffic laws when driving.

Engine speed	Engine speed in the freeze frame data \pm 400 rpm
Vehicle speed	Vehicle speed in the freeze frame data \pm 10 km/h (6 MPH)
Basic fuel schedule	Basic fuel schedule in freeze frame data \times (1 \pm 0.1)
Engine coolant temperature (T) condition	When the freeze frame data shows lower than 70°C (158°F), T should be lower than 70°C (158°F).
	When the freeze frame data shows higher than or equal to 70°C (158°F), T should be higher than or equal to 70°C (158°F).

Driving time varies according to the engine speed in the freeze frame data.

Engine speed	Time
Around 1,000 rpm	Approximately 10 minutes
Around 2,000 rpm	Approximately 5 minutes
More than 3,000 rpm	Approximately 3.5 minutes

5. Check 1st trip DTC.

Is 1st trip DTC detected?

- YES >> Proceed to [EC-318, "Diagnosis Procedure"](#).
- NO-1 >> To check malfunction symptom before repair: Refer to [GI-41, "Intermittent Incident"](#).
- NO-2 >> Confirmation after repair: INSPECTION END

Diagnosis Procedure

INFOID:0000000011939829

1.CHECK FOR INTAKE AIR LEAKAGE AND PCV HOSE

1. Start engine and run it at idle speed.
2. Listen for the sound of the intake air leakage.
3. Check PCV hose connection.

Is intake air leakage detected?

- YES >> Discover air leakage location and repair.
- NO >> GO TO 2.

2.CHECK FOR EXHAUST SYSTEM CLOGGING

Stop engine and visually check exhaust tube, three way catalyst and muffler for dents.

Is the inspection result normal?

- YES-1 >> With CONSULT: GO TO 3.
- YES-2 >> Without CONSULT: GO TO 4.
- NO >> Repair or replace malfunctioning part.

3.PERFORM POWER BALANCE TEST

 **With CONSULT**

P0300, P0301, P0302, P0303, P0304, P0305, P0306 MISFIRE

< DTC/CIRCUIT DIAGNOSIS >

[VQ35DE]

1. Start engine.
2. Perform "POWER BALANCE" in "ACTIVE TEST" mode with CONSULT.
3. Check that each circuit produces a momentary engine speed drop.

Is the inspection result normal?

- YES >> GO TO 9.
NO >> GO TO 4.

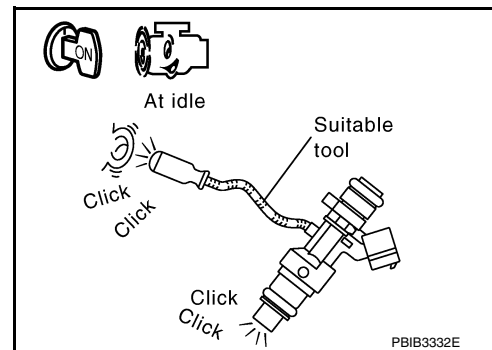
4.CHECK FUNCTION OF FUEL INJECTOR

1. Start engine and let it idle.
2. Listen to each fuel injector make operation sound.

Clicking sound should be heard.

Is the inspection result normal?

- YES >> GO TO 5.
NO >> Perform trouble diagnosis for FUEL INJECTOR, refer to [EC-550, "Diagnosis Procedure"](#).



5.CHECK FUNCTION OF IGNITION COIL-I

CAUTION:

Perform the following procedure in a place with no combustible objects and good ventilation.

1. Turn ignition switch OFF.
2. Remove fuel pump fuse in IPDM E/R to release fuel pressure.

NOTE:

Do not use CONSULT to release fuel pressure, or fuel pressure applies again during the following procedure.

3. Start engine.
4. After engine stalls, crank it 2 or 3 times to release all fuel pressure.
5. Turn ignition switch OFF.
6. Remove all ignition coil harness connectors to avoid the electrical discharge from the ignition coils.
7. Remove ignition coil and spark plug of the cylinder to be checked.
8. Crank engine for 5 seconds or more to remove combustion gas in the cylinder.
9. Connect spark plug and harness connector to ignition coil.
10. Fix ignition coil using a rope etc. with gap of 13 - 17 mm (0.52 - 0.66 in) between the edge of the spark plug and grounded metal portion as shown in the figure.
11. Crank engine for approximately 3 seconds, and check whether spark is generated between the spark plug and the grounded metal portion.

Spark should be generated.

CAUTION:

- During the operation, always stay 0.5 m (19.7 in) or more away from the spark plug and the ignition coil. Be careful not to get an electrical shock while checking, because the electrical discharge voltage becomes 20 kV or more.
- It might damage the ignition coil if the gap of more than 17 mm (0.66 in) is made.

NOTE:

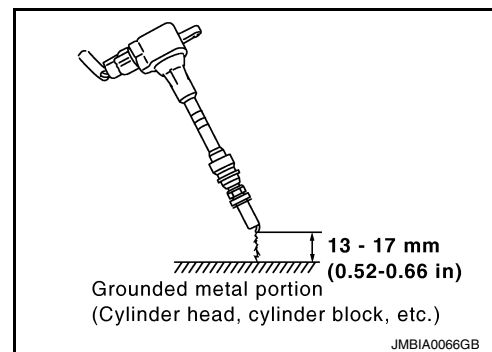
When the gap is less than 13 mm (0.52 in), a spark might be generated even if the coil is malfunctioning.

Is the inspection result normal?

- YES >> GO TO 9.
NO >> GO TO 6.

6.CHECK FUNCTION OF IGNITION COIL-II

1. Turn ignition switch OFF.



P0300, P0301, P0302, P0303, P0304, P0305, P0306 MISFIRE

< DTC/CIRCUIT DIAGNOSIS >

[VQ35DE]

2. Disconnect spark plug and connect a non-malfunctioning spark plug.
3. Crank engine for approximately 3 seconds, and recheck whether spark is generated between the spark plug and the grounded metal portion.

Spark should be generated.

Is the inspection result normal?

YES >> GO TO 7.

NO >> Check ignition coil, power transistor and their circuits. Refer to [EC-555, "Diagnosis Procedure"](#).

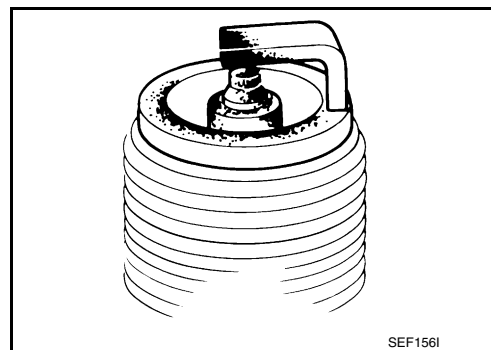
7. CHECK SPARK PLUG

Check the initial spark plug for fouling, etc.

Is the inspection result normal?

YES >> Replace spark plug(s) with standard type one(s). For spark plug type, refer to [EM-140, "Spark Plug"](#).

NO >> Repair or clean spark plug. Then GO TO 8.



8. CHECK FUNCTION OF IGNITION COIL-III

1. Reconnect the initial spark plugs.
2. Crank engine for approximately 3 seconds, and recheck whether spark is generated between the spark plug and the grounded portion.

Spark should be generated.

Is the inspection result normal?

YES >> INSPECTION END

NO >> Replace spark plug(s) with standard type one(s). For spark plug type, refer to [EM-140, "Spark Plug"](#).

9. CHECK COMPRESSION PRESSURE

Check compression pressure. Refer to [EM-24, "On-Vehicle Service"](#).

Is the inspection result normal?

YES >> GO TO 10.

NO >> Check pistons, piston rings, valves, valve seats and cylinder head gaskets.

10. CHECK FUEL PRESSURE

1. Install all removed parts.
2. Release fuel pressure to zero. Refer to [EC-168, "Work Procedure"](#).
3. Install fuel pressure gauge kit [SST: — (J-44321)] and check fuel pressure. Refer to [EC-168, "Work Procedure"](#).

At idle: Approximately 350 kPa (3.5 bar, 3.57 kg/cm², 51 psi)

Is the inspection result normal?

YES >> GO TO 12.

NO >> GO TO 11.

11. DETECT MALFUNCTIONING PART

Check fuel hoses and fuel tubes for clogging.

Is the inspection result normal?

YES >> Replace "fuel filter and fuel pump assembly". Refer to [FL-5, "Removal and Installation"](#).

NO >> Repair or replace malfunctioning part.

12. CHECK IGNITION TIMING

P0300, P0301, P0302, P0303, P0304, P0305, P0306 MISFIRE

[VQ35DE]

< DTC/CIRCUIT DIAGNOSIS >

Check idle speed and ignition timing.

For procedure, refer to [EC-164, "Work Procedure"](#).

For specification, refer to [EC-587, "Idle Speed"](#) and [EC-587, "Ignition Timing"](#).

Is the inspection result normal?

YES >> GO TO 13.

NO >> Follow the [EC-164, "Work Procedure"](#).

13. CHECK A/F SENSOR 1 INPUT SIGNAL CIRCUIT

1. Turn ignition switch OFF.
2. Disconnect corresponding A/F sensor 1 harness connector.
3. Disconnect ECM harness connector.
4. Check the continuity between A/F sensor 1 harness connector and ECM harness connector.

A/F sensor 1			ECM		Continuity
Bank	Connector	Terminal	Connector	Terminal	
1	F12	3	F14	66	Existed
		4		67	
2	F61	3		76	
		4		77	

5. Check the continuity between A/F sensor 1 harness connector and ground, or ECM harness connector and ground.

A/F sensor 1			Ground	Continuity
Bank	Connector	Terminal		
1	F12	3	Ground	Not existed
		4		
2	F61	3		
		4		

ECM		Ground	Continuity
Connector	Terminal		
F14	66	Ground	Not existed
	67		
	76		
	77		

6. Also check harness for short to power.

Is the inspection result normal?

YES >> GO TO 14.

NO >> Repair open circuit, short to ground or short to power in harness or connectors.

14. CHECK A/F SENSOR 1 HEATER


Check A/F sensor 1 heater. Refer to [EC-209, "Component Inspection"](#).

Is the inspection result normal?

YES >> GO TO 15.

NO >> Replace malfunctioning A/F sensor 1. Refer to [EM-36, "Removal and Installation \(bank 2\)"](#), [EM-37, "Removal and Installation \(bank 1\)"](#).

15. CHECK MASS AIR FLOW SENSOR

 **With CONSULT**

1. Check "MASS AIR FLOW" in "DATA MONITOR" mode with CONSULT.
2. For specification, refer to [EC-587, "Mass Air Flow Sensor"](#).

 **With GST**

P0300, P0301, P0302, P0303, P0304, P0305, P0306 MISFIRE

< DTC/CIRCUIT DIAGNOSIS >

[VQ35DE]

1. Check mass air flow sensor signal in Service \$01 with GST.
2. For specification, refer to [EC-587, "Mass Air Flow Sensor"](#).

Is the measurement value within the specification?

YES >> GO TO 16.

NO >> Check connectors for rusted terminals or loose connections in the mass air flow sensor circuit or ground. Refer to [EC-227, "Diagnosis Procedure"](#).

16.CHECK SYMPTOM TABLE

Check items on the rough idle symptom in [EC-575, "Symptom Table"](#).

Is the inspection result normal?

YES >> GO TO 17.

NO >> Repair or replace malfunctioning part.

17.ERASE THE 1ST TRIP DTC

Some tests may cause a 1st trip DTC to be set.

Erase the 1st trip DTC from the ECM memory after performing the tests. Refer to [EC-73, "CONSULT Function"](#).

>> INSPECTION END

P0327, P0328, P0332, P0333 KS

DTC Description

INFOID:000000011939830

DTC DETECTION LOGIC

- An excessively low voltage from the sensor is sent to ECM.
- An excessively high voltage from the sensor is sent to ECM.

DTC	CONSULT screen terms (Trouble diagnosis content)	DTC detection condition	
		Diagnosis condition	Signal (terminal)
P0327	KNOCK SEN/CIRC-B1 (Knock sensor 1 circuit low bank 1)	Diagnosis condition	Start engine and let it idle
		Signal (terminal)	Voltage signal transmitted from knock sensor to ECM
		Threshold	An excessively low voltage from the sensor is sent to ECM
		Diagnosis delay time	—
P0328	KNOCK SEN/CIRC-B1 (Knock sensor 1 circuit high bank 1)	Diagnosis condition	Start engine and let it idle
		Signal (terminal)	Voltage signal transmitted from mass air flow sensor to ECM
		Threshold	An excessively high voltage from the sensor is sent to ECM.
		Diagnosis delay time	—
P0332	KNOCK SEN/CIRC-B2 (Knock sensor 2 circuit low bank 2)	Diagnosis condition	Start engine and let it idle
		Signal (terminal)	Voltage signal transmitted from knock sensor to ECM
		Threshold	An excessively low voltage from the sensor is sent to ECM
		Diagnosis delay time	—
P0333	KNOCK SEN/CIRC-B1 (Knock sensor 2 circuit high bank 2)	Diagnosis condition	Start engine and let it idle
		Signal (terminal)	Voltage signal transmitted from mass air flow sensor to ECM
		Threshold	An excessively high voltage from the sensor is sent to ECM.
		Diagnosis delay time	—

POSSIBLE CAUSE

P0327

- Harness or connectors (The sensor circuit is open or shorted.)
- Knock sensor

P0328

- Harness or connectors (The sensor circuit is open or shorted.)
- Knock sensor

P0332

- Harness or connectors (The sensor circuit is open or shorted.)
- Knock sensor

P0333

- Harness or connectors (The sensor circuit is open or shorted.)
- Knock sensor

FAIL-SAFE

Not applicable

DTC CONFIRMATION PROCEDURE

< DTC/CIRCUIT DIAGNOSIS >

1.PRECONDITIONING

If DTC Confirmation Procedure has been previously conducted, always perform the following before conducting the next test.

1. Turn ignition switch OFF and wait at least 10 seconds.
2. Turn ignition switch ON.
3. Turn ignition switch OFF and wait at least 10 seconds.

TESTING CONDITION:

Before performing the following procedure, confirm that battery voltage is more than 10 V at idle.

>> GO TO 2.

2.PERFORM DTC CONFIRMATION PROCEDURE

1. Start engine and run it for at least 5 seconds at idle speed.
2. Check 1st trip DTC.

Is 1st trip DTC detected?

- YES >> Proceed to [EC-324, "Diagnosis Procedure"](#).
 NO-1 >> To check malfunction symptom before repair: Refer to [GI-41, "Intermittent Incident"](#).
 NO-2 >> Confirmation after repair: INSPECTION END

Diagnosis Procedure

INFOID:0000000011939831

1.CHECK KNOCK SENSOR GROUND CIRCUIT

1. Disconnect knock sensor harness connector and ECM harness connector.
2. Check the continuity between knock sensor harness connector and ECM harness connector.

DTC	Knock sensor			ECM		Continuity
	Bank	Connector	Terminal	Connector	Terminal	
P0327, P0328	1	F202	2	F13	4	Existed
P0332, P0333	2	F203	2			

3. Also check harness for short to ground and short to power.

Is the inspection result normal?

- YES >> GO TO 2.
 NO >> Repair open circuit, short to ground or short to power in harness or connectors.

2.CHECK KNOCK SENSOR INPUT SIGNAL CIRCUIT

1. Check the continuity between knock sensor harness connector and ECM harness connector.

DTC	Knock sensor			ECM		Continuity
	Bank	Connector	Terminal	Connector	Terminal	
P0327, P0328	1	F202	1	F13	5	Existed
P0332, P0333	2	F203	1		9	

2. Also check harness for short to ground and short to power.

Is the inspection result normal?

- YES >> GO TO 3.
 NO >> Repair open circuit, short to ground or short to power in harness or connectors.

3.CHECK KNOCK SENSOR

Check knock sensor. Refer to [EC-325, "Component Inspection"](#).

Is the inspection result normal?

- YES >> INSPECTION END
 NO >> Replace malfunctioning knock sensor. Refer to [EM-115, "Exploded View"](#).

Component Inspection

1. CHECK KNOCK SENSOR

1. Turn ignition switch OFF.
2. Disconnect knock sensor harness connector.
3. Check resistance between knock sensor terminal as per the following.

NOTE:

It is necessary to use an ohmmeter which can measure more than 10 MΩ.

Knock sensor		Resistance
+	-	
Terminals		
1	2	Approx. 532 - 588 kΩ [at 20°C (68°F)]

CAUTION:

Never use any knock sensors that have been dropped or physically damaged. Use only new ones.

Is the inspection result normal?

YES >> INSPECTION END

NO >> Replace malfunctioning knock sensor. Refer to [EM-115. "Exploded View"](#).

A
EC
C
D
E
F
G
H
I
J
K
L
M
N
O
P

P0335 CKP SENSOR (POS)

[VQ35DE]

< DTC/CIRCUIT DIAGNOSIS >

P0335 CKP SENSOR (POS)

DTC Description

INFOID:000000011939833

DTC DETECTION LOGIC

1. The crankshaft position sensor (POS) signal is not detected by the ECM during the first few seconds of engine cranking.
2. The proper pulse signal from the crankshaft position sensor (POS) is not sent to ECM while the engine is running.
3. The crankshaft position sensor (POS) signal is not in the normal pattern during engine running.

DTC	CONSULT screen terms (Trouble diagnosis content)	DTC detection condition		
P0335	CKP SEN/CIRCUIT (Crankshaft position sensor "A" circuit)	1	Diagnosis condition	Start engine and let it idle
			Signal (terminal)	Voltage signal transmitted from crankshaft position sensor (POS) to ECM
			Threshold	The crankshaft position sensor (POS) signal is not detected by the ECM during the first few seconds of engine cranking
			Diagnosis delay time	—
		2	Diagnosis condition	Start engine and let it idle
			Signal (terminal)	Voltage signal transmitted from crankshaft position sensor (POS) to ECM
			Threshold	The proper pulse signal from the crankshaft position sensor (POS) is not sent to ECM while the engine is running
			Diagnosis delay time	—
		3	Diagnosis condition	Start engine and let it idle
			Signal (terminal)	Voltage signal transmitted from crankshaft position sensor (POS) to ECM
			Threshold	The crankshaft position sensor (POS) signal is not in the normal pattern during engine running
			Diagnosis delay time	—

POSSIBLE CAUSE

- Harness or connectors [CKP sensor (POS) circuit is open or shorted.]
- Crankshaft position sensor (POS)
- Signal plate

FAIL-SAFE

Not applicable

DTC CONFIRMATION PROCEDURE

1. CHECK DTC PRIORITY

If DTC P0335 is displayed with another DTC P0643, first perform the trouble diagnosis for DTC P0643.

Is applicable DTC detected?

YES >> Perform diagnosis of applicable. Refer to [EC-424, "DTC Description"](#).

NO >> GO TO 2.

2. PRECONDITIONING

If DTC Confirmation Procedure has been previously conducted, always perform the following before conducting the next test.

1. Turn ignition switch OFF and wait at least 10 seconds.
2. Turn ignition switch ON.
3. Turn ignition switch OFF and wait at least 10 seconds.

P0335 CKP SENSOR (POS)

< DTC/CIRCUIT DIAGNOSIS >

[VQ35DE]

TESTING CONDITION:

Before performing the following procedure, confirm that battery voltage is more than 10.5 V with ignition switch ON.

>> GO TO 3.

3.PERFORM DTC CONFIRMATION PROCEDURE

1. Start engine and let it idle for at least 5 seconds.
If engine does not start, crank engine for at least 2 seconds.
2. Check 1st trip DTC.

Is 1st trip DTC detected?

- YES >> Proceed to [EC-327, "Diagnosis Procedure"](#).
NO-1 >> To check malfunction symptom before repair: Refer to [GI-41, "Intermittent Incident"](#).
NO-2 >> Confirmation after repair: INSPECTION END

Diagnosis Procedure

INFOID:0000000011939834

1.CHECK DTC PRIORITY

If DTC P0335 is displayed with another DTC P0643, first perform the trouble diagnosis for DTC P0643.

Is applicable DTC detected?

- YES >> Perform diagnosis of applicable. Refer to [EC-424, "DTC Description"](#).
NO >> GO TO 2.

2.CHECK CRANKSHAFT POSITION (CKP) SENSOR (POS) POWER SUPPLY

1. Disconnect crankshaft position (CKP) sensor (POS) harness connector.
2. Turn ignition switch ON.
3. Check the voltage between CKP sensor (POS) harness connector and ground.

+		-	Voltage (V)
CKP sensor (POS)			
Connector	Terminal		
F30	1	Ground	Approx. 5

Is the inspection result normal?

- YES >> GO TO 4.
NO >> GO TO 3.

3.CHECK CRANKSHAFT POSITION (CKP) SENSOR (POS) POWER SUPPLY CIRCUIT

1. Turn ignition switch OFF
2. Disconnect ECM harness connector.
3. Check the continuity between CKP sensor (POS) harness connector and ECM harness connector.

CKP sensor (POS)		ECM		Continuity
Connector	Terminal	Connector	Terminal	
F30	1	F13	28	Existed

Is the inspection result normal?

- YES >> INSPECTION END
NO >> Repair or replace error-detected parts.

4.CHECK CKP SENSOR (POS) GROUND CIRCUIT

1. Turn ignition switch OFF.
2. Disconnect ECM harness connector.
3. Check the continuity between CKP sensor (POS) harness connector and ECM harness connector.

P0335 CKP SENSOR (POS)

[VQ35DE]

< DTC/CIRCUIT DIAGNOSIS >

CKP sensor (POS)		ECM		Continuity
Connector	Terminal	Connector	Terminal	
F30	2	F13	40	Existed

4. Also check harness for short to ground and short to power.

Is the inspection result normal?

YES >> GO TO 5.

NO >> Repair open circuit, short to ground or short to power in harness or connectors.

5. CHECK CKP SENSOR (POS) INPUT SIGNAL CIRCUIT FOR OPEN AND SHORT

1. Check the continuity between CKP sensor (POS) harness connector and ECM harness connector.

CKP sensor (POS)		ECM		Continuity
Connector	Terminal	Connector	Terminal	
F30	3	F13	36	Existed

2. Also check harness for short to ground and short to power.

Is the inspection result normal?

YES >> GO TO 6.

NO >> Repair open circuit, short to ground or short to power in harness or connectors.

6. CHECK CRANKSHAFT POSITION SENSOR (POS)

Check crankshaft position sensor (POS). Refer to [EC-328. "Component Inspection"](#).

Is the inspection result normal?

YES >> GO TO 7.

NO >> Replace crankshaft position sensor (POS). Refer to [EM-115. "Exploded View"](#).

7. CHECK GEAR TOOTH

Visually check for chipping signal plate gear tooth.

Is the inspection result normal?

YES >> INSPECTION END

NO >> Replace the drive plate. Refer to [EM-116. "Disassembly and Assembly"](#).

Component Inspection

INFOID:000000011939835

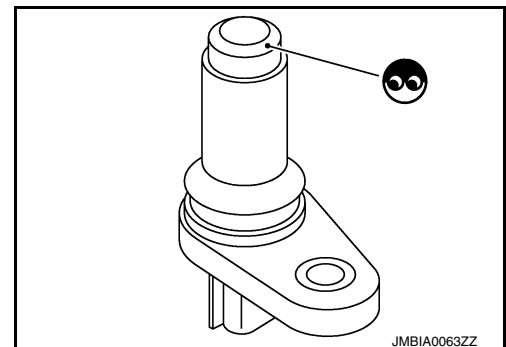
1. CHECK CRANKSHAFT POSITION SENSOR (POS)-I

1. Loosen the fixing bolt of the sensor.
2. Disconnect crankshaft position sensor (POS) harness connector.
3. Remove the sensor.
4. Visually check the sensor for chipping.

Is the inspection result normal?

YES >> GO TO 2.

NO >> Replace crankshaft position sensor (POS). Refer to [EM-115. "Exploded View"](#).



2. CHECK CRANKSHAFT POSITION SENSOR (POS)-II

Check the resistance between crankshaft position sensor (POS) terminals as per the following.

P0335 CKP SENSOR (POS)

< DTC/CIRCUIT DIAGNOSIS >

[VQ35DE]

Crankshaft position sensor (POS)		Resistance [at 25°C (77°F)]
+	-	
Terminal (Polarity)		Except 0 or ∞ Ω
1	2	
	3	
2	3	

A

EC

C

Is the inspection result normal?

YES >> INSPECTION END

NO >> Replace crankshaft position sensor (POS). Refer to [EM-115, "Exploded View"](#).

D

E

F

G

H

I

J

K

L

M

N

O

P

P0340, P0345 CMP SENSOR (PHASE)

< DTC/CIRCUIT DIAGNOSIS >

[VQ35DE]

P0340, P0345 CMP SENSOR (PHASE)

DTC Description

INFOID:000000011939836

DTC DETECTION LOGIC

1. The cylinder No. signal is not sent to ECM for the first few seconds during engine cranking.
2. The cylinder No. signal is not sent to ECM during engine running.
3. The cylinder No. signal is not in the normal pattern during engine running.

DTC	CONSULT screen terms (Trouble diagnosis content)	DTC detection condition		
P0340	CMP SEN/CIRC-B1 (Camshaft position sensor "A" circuit bank 1)	1	Diagnosis condition	<ul style="list-style-type: none"> • Start engine and let it idle • Start engine and maintaining engine speed at more than 800 rpm
			Signal (terminal)	Voltage signal transmitted from Camshaft position sensor (PHASE) to ECM
			Threshold	The cylinder No. signal is not sent to ECM for the first few seconds during engine cranking
			Diagnosis delay time	—
		2	Diagnosis condition	<ul style="list-style-type: none"> • Start engine and let it idle • Start engine and maintaining engine speed at more than 800 rpm
			Signal (terminal)	Voltage signal transmitted from Camshaft position sensor (PHASE) to ECM
			Threshold	The cylinder No. signal is not sent to ECM during engine running
			Diagnosis delay time	—
		3	Diagnosis condition	<ul style="list-style-type: none"> • Start engine and let it idle • Start engine and maintaining engine speed at more than 800 rpm
			Signal (terminal)	Voltage signal transmitted from Camshaft position sensor (PHASE) to ECM
			Threshold	The cylinder No. signal is not in the normal pattern during engine running
			Diagnosis delay time	—

P0340, P0345 CMP SENSOR (PHASE)

< DTC/CIRCUIT DIAGNOSIS >

[VQ35DE]

P0345	CMP SEN/CIRC-B2 (Camshaft position sensor "A" circuit bank 2)	1	Diagnosis condition	<ul style="list-style-type: none"> Start engine and let it idle Start engine and maintaining engine speed at more than 800 rpm 	A
			Signal (terminal)	Voltage signal transmitted from Camshaft position sensor (PHASE) to ECM	EC
			Threshold	The cylinder No. signal is not sent to ECM for the first few seconds during engine cranking	
			Diagnosis delay time	—	C
		2	Diagnosis condition	<ul style="list-style-type: none"> Start engine and let it idle Start engine and maintaining engine speed at more than 800 rpm 	D
			Signal (terminal)	Voltage signal transmitted from Camshaft position sensor (PHASE) to ECM	
			Threshold	The cylinder No. signal is not sent to ECM during engine running	E
			Diagnosis delay time	—	
		3	Diagnosis condition	<ul style="list-style-type: none"> Start engine and let it idle Start engine and maintaining engine speed at more than 800 rpm 	F
			Signal (terminal)	Voltage signal transmitted from Camshaft position sensor (PHASE) to ECM	G
			Threshold	The cylinder No. signal is not in the normal pattern during engine running	H
			Diagnosis delay time	—	

POSSIBLE CAUSE

P0340

- Harness or connectors
- CMP sensor (PHASE) circuit is open or shorted.
- APP sensor 2 circuit is shorted.
- Battery current sensor circuit is shorted.
- EOP sensor circuit is shorted.
- Refrigerant pressure sensor is shorted.
- Camshaft position sensor (PHASE)
- Camshaft (INT)
- Starter motor (Refer to [STR-5, "System Diagram".](#))
- Starting system circuit (Refer to [STR-5, "System Diagram".](#))
- Dead (Weak) battery
- Accelerator pedal position sensor (APP sensor 2)
- Battery current sensor
- Engine oil pressure sensor
- Refrigerant pressure sensor

P0345

- Harness or connectors
- CMP sensor (PHASE) circuit is open or shorted.
- APP sensor 2 circuit is shorted.
- Battery current sensor circuit is shorted.
- EOP sensor circuit is shorted.
- Refrigerant pressure sensor is shorted.
- Camshaft position sensor (PHASE)
- Camshaft (INT)
- Starter motor (Refer to [STR-5, "System Diagram".](#))
- Starting system circuit (Refer to [STR-5, "System Diagram".](#))
- Dead (Weak) battery
- Accelerator pedal position sensor (APP sensor 2)
- Battery current sensor
- Engine oil pressure sensor

P0340, P0345 CMP SENSOR (PHASE)

[VQ35DE]

< DTC/CIRCUIT DIAGNOSIS >

- Refrigerant pressure sensor

FAIL-SAFE

Not applicable

DTC CONFIRMATION PROCEDURE

1. PRECONDITIONING

If DTC Confirmation Procedure has been previously conducted, always perform the following before conducting the next test.

1. Turn ignition switch OFF and wait at least 10 seconds.
2. Turn ignition switch ON.
3. Turn ignition switch OFF and wait at least 10 seconds.

TESTING CONDITION:

Before performing the following procedure, confirm that battery voltage is more than 10.5 V with ignition switch ON.

>> GO TO 2.

2. PERFORM DTC CONFIRMATION PROCEDURE-I

1. Start engine and let it idle for at least 5 seconds.
If engine does not start, crank engine for at least 2 seconds.
2. Check 1st trip DTC.

Is 1st trip DTC detected?

- YES >> Proceed to [EC-332, "Diagnosis Procedure"](#).
NO >> GO TO 3.

3. PERFORM DTC CONFIRMATION PROCEDURE-II

1. Maintaining engine speed at more than 800 rpm for at least 5 seconds.
2. Check 1st trip DTC.

Is 1st trip DTC detected?

- YES >> Proceed to [EC-332, "Diagnosis Procedure"](#).
NO-1 >> To check malfunction symptom before repair: Refer to [GI-41, "Intermittent Incident"](#).
NO-2 >> Confirmation after repair: INSPECTION END

Diagnosis Procedure

INFOID:0000000011939837

1. CHECK STARTING SYSTEM

Turn ignition switch to START position.

Does the engine turn over? Does the starter motor operate?

- YES >> GO TO 2.
NO >> Check starting system. (Refer to [STR-10, "Work Flow \(With GR8-1200 NI\)"](#) or [STR-14, "Work Flow \(Without GR8-1200 NI\)"](#).)

2. CHECK CAMSHAFT POSITION (CMP) SENSOR (PHASE) POWER SUPPLY

1. Disconnect camshaft position (CMP) sensor (PHASE) harness connector.
2. Turn ignition switch ON.
3. Check the voltage between CMP sensor (PHASE) harness connector and ground.

DTC	CMP sensor (PHASE)			-	Voltage (V)
	Bank	Connector	+ Terminal		
P0340	1	F55	1	Ground	Approx. 5
P0345	2	F60	1		

Is the inspection result normal?

- YES >> GO TO 4.
NO >> GO TO 3.

P0340, P0345 CMP SENSOR (PHASE)

< DTC/CIRCUIT DIAGNOSIS >

[VQ35DE]

3. CHECK CMP SENSOR (PHASE) POWER SUPPLY CIRCUIT

1. Turn ignition switch OFF.
2. Disconnect ECM harness connector.
3. Check the continuity between CMP sensor (PHASE) harness connector and ECM harness connector.

DTC	CMP sensor (PHASE)			ECM		Continuity
	Bank	Connector	Terminal	Connector	Terminal	
P0340	1	F55	1	F14	92	Existed
P0345	2	F60	1			

Is the inspection result normal?

YES >> Check sensor power supply 2 circuit. Refer to [EC-569, "Diagnosis Procedure"](#).

NO >> Repair or replace error-detected parts.

4. CHECK CMP SENSOR (PHASE) GROUND CIRCUIT

1. Turn ignition switch OFF.
2. Disconnect ECM harness connector.
3. Check the continuity between CMP sensor (PHASE) harness connector and ECM harness connector.

DTC	CMP sensor (PHASE)			ECM		Continuity
	Bank	Connector	Terminal	Connector	Terminal	
P0340	1	F55	2	F14	90	Existed
P0345	2	F60	2			

4. Also check harness for short to ground and short to power.

Is the inspection result normal?

YES >> GO TO 5.

NO >> Repair open circuit, short to ground or short to power in harness or connectors.

5. CHECK CMP SENSOR (PHASE) INPUT SIGNAL CIRCUIT

1. Check the continuity between CMP sensor (PHASE) harness connector and ECM harness connector.

DTC	CMP sensor (PHASE)			ECM		Continuity
	Bank	Connector	Terminal	Connector	Terminal	
P0340	1	F55	3	F14	84	Existed
P0345	2	F60	3		89	

2. Also check harness for short to ground and short to power.

Is the inspection result normal?

YES >> GO TO 6.

NO >> Repair open circuit, short to ground or short to power in harness or connectors.

6. CHECK CAMSHAFT POSITION SENSOR (PHASE)

Check camshaft position sensor (PHASE). Refer to [EC-334, "Component Inspection"](#).

Is the inspection result normal?

YES >> GO TO 7.

NO >> Replace malfunctioning camshaft position sensor (PHASE). Refer to [EM-51, "Exploded View"](#).

7. CHECK CAMSHAFT (INT)

Check the following.

P0340, P0345 CMP SENSOR (PHASE)

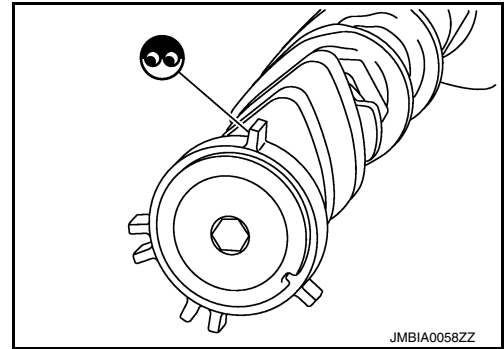
[VQ35DE]

< DTC/CIRCUIT DIAGNOSIS >

- Accumulation of debris to the signal plate of camshaft rear end
- Chipping signal plate of camshaft rear end

Is the inspection result normal?

- YES >> INSPECTION END
 NO >> Remove debris and clean the signal plate of camshaft rear end or replace camshaft. Refer to [EM-79, "Removal and Installation"](#).



INFOID:000000011939838

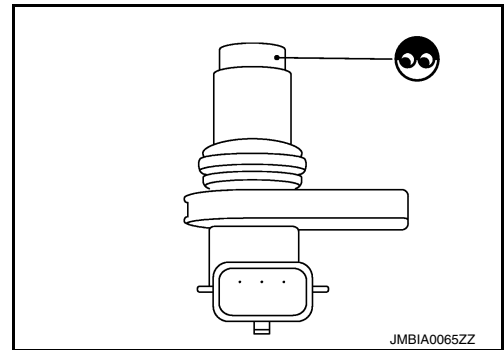
Component Inspection

1. CHECK CAMSHAFT POSITION SENSOR (PHASE)-I

1. Turn ignition switch OFF.
2. Loosen the fixing bolt of the sensor.
3. Disconnect camshaft position sensor (PHASE) harness connector.
4. Remove the sensor.
5. Visually check the sensor for chipping.

Is the inspection result normal?

- YES >> GO TO 2.
 NO >> Replace malfunctioning camshaft position sensor (PHASE). Refer to [EM-51, "Exploded View"](#).



2. CHECK CAMSHAFT POSITION SENSOR (PHASE)-II

Check the resistance camshaft position sensor (PHASE) terminals as per the following.

Camshaft position sensor (PHASE)		Resistance [Ω at 25°C (77°F)]
+	-	
Terminals (Polarity)		Except 0 or ∞
1	2	
	3	
2	3	

Is the inspection result normal?

- YES >> INSPECTION END
 NO >> Replace malfunctioning camshaft position sensor (PHASE). Refer to [EM-51, "Exploded View"](#).

P0420, P0430 THREE WAY CATALYST FUNCTION

< DTC/CIRCUIT DIAGNOSIS >

[VQ35DE]

P0420, P0430 THREE WAY CATALYST FUNCTION

DTC Description

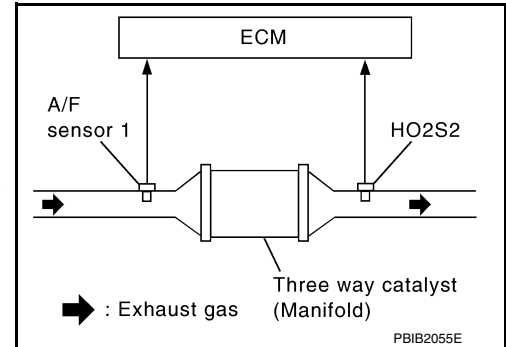
INFOID:000000011939839

DTC DETECTION LOGIC

The ECM monitors the switching frequency ratio of air fuel ratio (A/F) sensor 1 and heated oxygen sensor 2.

A three way catalyst (manifold) with high oxygen storage capacity will indicate a low switching frequency of heated oxygen sensor 2. As oxygen storage capacity decreases, the heated oxygen sensor 2 switching frequency will increase.

When the frequency ratio of A/F sensor 1 and heated oxygen sensor 2 approaches a specified limit value, the three way catalyst (manifold) malfunction is diagnosed.



1. Three way catalyst (manifold) does not operate properly.
2. Three way catalyst (manifold) does not have enough oxygen storage capacity.

DTC	CONSULT screen terms (Trouble diagnosis content)	DTC detection condition		
P0420	TW CATALYST SYS-B1 (Catalyst system efficiency below threshold bank 1)	1	Diagnosis condition	—
			Signal (terminal)	—
			Threshold	Three way catalyst (manifold) does not operate properly
			Diagnosis delay time	—
		2	Diagnosis condition	—
			Signal (terminal)	—
			Threshold	Three way catalyst (manifold) does not have enough oxygen storage capacity
P0430	TW CATALYST SYS-B2 (Catalyst system efficiency below threshold bank 2)	1	Diagnosis condition	—
			Signal (terminal)	—
			Threshold	Three way catalyst (manifold) does not operate properly
			Diagnosis delay time	—
		2	Diagnosis condition	—
			Signal (terminal)	—
			Threshold	Three way catalyst (manifold) does not have enough oxygen storage capacity
			Diagnosis delay time	—

POSSIBLE CAUSE

P0420

- Three way catalyst (manifold)
- Exhaust tube
- Intake air leakage
- Fuel injector
- Fuel injector leakage
- Spark plug
- Improper ignition timing

P0430

P0420, P0430 THREE WAY CATALYST FUNCTION

[VQ35DE]

< DTC/CIRCUIT DIAGNOSIS >

- Three way catalyst (manifold)
- Exhaust tube
- Intake air leakage
- Fuel injector
- Fuel injector leakage
- Spark plug
- Improper ignition timing
- Harness or connectors (The sensor circuit is open or shorted.)
- Fuel tank temperature sensor

FAIL-SAFE

Not applicable

DTC CONFIRMATION PROCEDURE

1.INSPECTION START

Will CONSULT be used?

Will CONSULT be used?

YES >> GO TO 2.

NO >> GO TO 7.

2.PRECONDITIONING

If DTC Confirmation Procedure has been previously conducted, always perform the following before conducting the next test.

1. Turn ignition switch OFF and wait at least 10 seconds.
2. Turn ignition switch ON.
3. Turn ignition switch OFF and wait at least 10 seconds.

TESTING CONDITION:

Do not maintain engine speed for more than the specified minutes below.

>> GO TO 3.

3.PERFORM DTC CONFIRMATION PROCEDURE-I

ⓅWith CONSULT

1. Turn ignition switch ON and select "DATA MONITOR" mode with CONSULT.
2. Start engine and warm it up to the normal operating temperature.
3. Turn ignition switch OFF and wait at least 10 seconds.
4. Turn ignition switch ON.
5. Turn ignition switch OFF and wait at least 10 seconds.
6. Start engine and keep the engine speed between 3,500 and 4,000 rpm for at least 1 minute under no load.
7. Let engine idle for 1 minute.
8. Check that "COOLANT TEMP/S" indicates more than 70°C (158°F).
If not, warm up engine and go to next step when "COOLANT TEMP/S" indication reaches 70°C (158°F).
9. Open engine hood.
10. Select "DTC & SRT CONFIRMATION" then "SRT WORK SUPPORT" mode with CONSULT.
11. Rev engine between 2,000 and 3,000 rpm and hold it for 3 consecutive minutes then release the accelerator pedal completely.
12. Check the indication of "CATALYST".

Which is displayed on CONSULT screen?

CMPLT >> GO TO 6.

INCMP >> GO TO 4.

4.PERFORM DTC CONFIRMATION PROCEDURE-II

1. Wait 5 seconds at idle.
2. Rev engine between 2,000 and 3,000 rpm and maintain it until "INCMP" of "CATALYST" changes to "CMPLT" (It will take approximately 5 minutes).

Does the indication change to "CMPLT"?

YES >> GO TO 6.

NO >> GO TO 5.

P0420, P0430 THREE WAY CATALYST FUNCTION

< DTC/CIRCUIT DIAGNOSIS >

[VQ35DE]

5. PERFORM DTC CONFIRMATION PROCEDURE AGAIN

1. Stop engine and cool it down to less than 70°C (158°F).
2. Perform DTC CONFIRMATION PROCEDURE again.

>> GO TO 3.

6. PERFORM DTC CONFIRMATION PROCEDURE-III

Check 1st trip DTC.

Is 1st trip DTC detected?

- YES >> Proceed to [EC-337. "Diagnosis Procedure"](#).
 NO >> INSPECTION END

7. PERFORM COMPONENT FUNCTION CHECK

⊗ Without CONSULT

1. Start engine and warm it up to the normal operating temperature.
2. Turn ignition switch OFF and wait at least 10 seconds.
3. Turn ignition switch ON.
4. Turn ignition switch OFF and wait at least 10 seconds.
5. Start engine and keep the engine speed between 3,500 and 4,000 rpm for at least 1 minute under no load.
6. Let engine idle for 1 minute.
7. Open engine hood.
8. Check the voltage between ECM harness connector terminals under the following conditions.

DTC	ECM		Condition	Voltage (V)
	Conne- tor	+ Terminal		
P0420	F13	41	Keeping engine speed at 2,500 rpm constant under no load	The voltage fluctuation cycle takes more than 5 seconds. • 1 cycle: 0.6 - 1.0 → 0 - 0.3 → 0.6 - 1.0
P0430		32		

Is the inspection result normal?

- YES-1 >> To check malfunction symptom before repair: Refer to [GI-41. "Intermittent Incident"](#).
 YES-2 >> Confirmation after repair: INSPECTION END
 NO >> Proceed to [EC-337. "Diagnosis Procedure"](#).

Diagnosis Procedure

INFOID:0000000011939840

1. CHECK EXHAUST SYSTEM

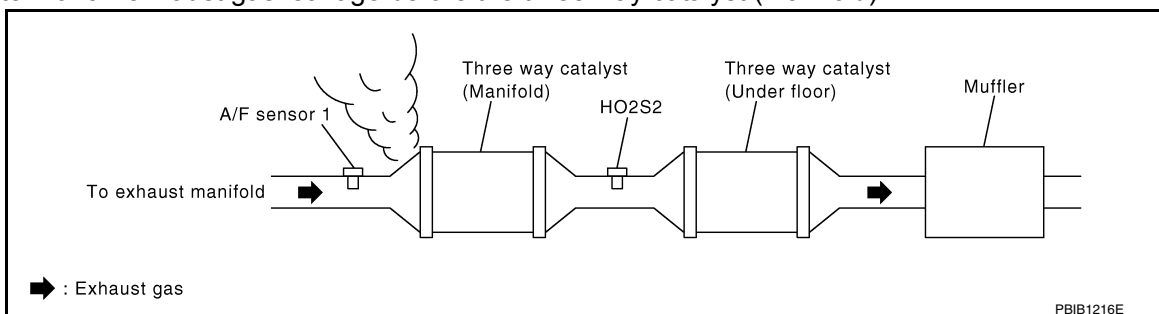
Visually check exhaust tubes and muffler for dents.

Is the inspection result normal?

- YES >> GO TO 2.
 NO >> Repair or replace malfunctioning part.

2. CHECK EXHAUST GAS LEAKAGE

1. Start engine and run it at idle.
2. Listen for an exhaust gas leakage before the three way catalyst (manifold).



P0420, P0430 THREE WAY CATALYST FUNCTION

[VQ35DE]

< DTC/CIRCUIT DIAGNOSIS >

Is exhaust gas leakage detected?

- YES >> Repair or replace malfunctioning part.
- NO >> GO TO 3.

3.CHECK INTAKE AIR LEAKAGE

Listen for an intake air leakage after the mass air flow sensor.

Is intake air leakage detected?

- YES >> Repair or replace malfunctioning part.
- NO >> GO TO 4.

4.CHECK IGNITION TIMING

Check idle speed and ignition timing.

For procedure, refer to [EC-164, "Work Procedure"](#).

For specification, refer to [EC-587, "Idle Speed"](#) and [EC-587, "Ignition Timing"](#).

Is the inspection result normal?

- YES >> GO TO 5.
- NO >> Follow the [EC-164, "Work Procedure"](#).

5.CHECK FUEL INJECTORS

1. Stop engine and then turn ignition switch ON.
2. Check the voltage between ECM harness connector terminals.

ECM				Voltage
+		-		
Connector	Terminal	Connector	Terminal	
F13	11	E10	152	Battery voltage
	12			
	16			
	17			
	21			
	22			

Is the inspection result normal?

- YES >> GO TO 6.
- NO >> Perform [EC-550, "Diagnosis Procedure"](#).

6.CHECK FUNCTION OF IGNITION COIL-I

CAUTION:

Perform the following procedure in a place with no combustible objects and good ventilation.

1. Turn ignition switch OFF.
2. Remove fuel pump fuse in IPDM E/R to release fuel pressure.

NOTE:

Do not use CONSULT to release fuel pressure, or fuel pressure applies again during the following procedure.

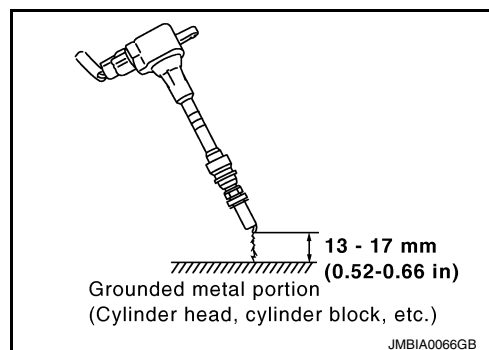
3. Start engine.
4. After engine stalls, crank it 2 or 3 times to release all fuel pressure.
5. Turn ignition switch OFF.
6. Remove all ignition coil harness connectors to avoid the electrical discharge from the ignition coils.
7. Remove ignition coil and spark plug of the cylinder to be checked.
8. Crank engine for 5 seconds or more to remove combustion gas in the cylinder.
9. Connect spark plug and harness connector to ignition coil.

P0420, P0430 THREE WAY CATALYST FUNCTION

[VQ35DE]

< DTC/CIRCUIT DIAGNOSIS >

10. Fix ignition coil using a rope etc. with gap of 13 - 17 mm (0.52 - 0.66 in) between the edge of the spark plug and grounded metal portion as shown in the figure.
11. Crank engine for approximately 3 seconds, and check whether spark is generated between the spark plug and the grounded metal portion.



Spark should be generated.

CAUTION:

- During the operation, always stay 0.5 m (19.7 in) or more away from the spark plug and the ignition coil. Be careful not to get an electrical shock while checking, because the electrical discharge voltage becomes 20 kV or more.
- It might cause to damage the ignition coil if the gap of more than 17 mm (0.66 in) is taken.

NOTE:

When the gap is less than 13 mm (0.52 in), the spark might be generated even if the coil is malfunctioning.

Is the inspection result normal?

- YES >> GO TO 10.
NO >> GO TO 7.

7.CHECK FUNCTION OF IGNITION COIL-II

1. Turn ignition switch OFF.
2. Disconnect spark plug and connect a known-good spark plug.
3. Crank engine for approximately 3 seconds, and recheck whether spark is generated between the spark plug and the grounded metal portion.

Spark should be generated.

Is the inspection result normal?

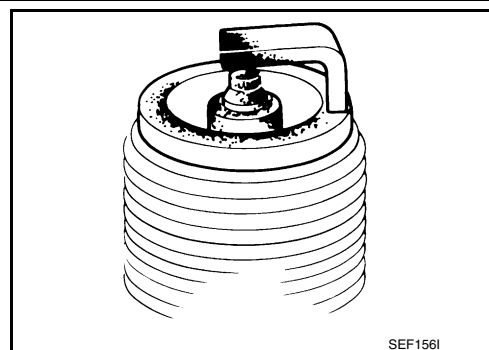
- YES >> GO TO 8.
NO >> Check ignition coil, power transistor and their circuit. Refer to [EC-555. "Diagnosis Procedure"](#).

8.CHECK SPARK PLUG

Check the initial spark plug for fouling, etc.

Is the inspection result normal?

- YES >> Replace spark plug(s) with standard type one(s). For spark plug type, refer to [EM-140. "Spark Plug"](#).
NO >> Repair or clean spark plug. Then GO TO 9.



9.CHECK FUNCTION OF IGNITION COIL-III

1. Reconnect the initial spark plugs.
2. Crank engine for approximately 3 seconds, and recheck whether spark is generated between the spark plug and the grounded portion.

Spark should be generated.

Is the inspection result normal?

- YES >> INSPECTION END
NO >> Replace spark plug(s) with standard type one(s). For spark plug type, refer to [EM-140. "Spark Plug"](#).

10.CHECK FUEL INJECTOR

1. Turn ignition switch OFF.

P0420, P0430 THREE WAY CATALYST FUNCTION

[VQ35DE]

< DTC/CIRCUIT DIAGNOSIS >

2. Remove fuel injector assembly. Refer to [EM-46, "Removal and Installation"](#).
Keep fuel hose and all fuel injectors connected to fuel tube.
3. Disconnect all ignition coil harness connectors.
4. Reconnect all fuel injector harness connectors disconnected.
5. Turn ignition switch ON.
6. Check that the fuel does not drip from fuel injector.

Does fuel drip from fuel injector?

- YES >> Replace the fuel injector(s) from which fuel is dripping. Refer to [EM-46, "Removal and Installation"](#).
- NO >> INSPECTION END

P0441 EVAP CONTROL SYSTEM

< DTC/CIRCUIT DIAGNOSIS >

[VQ35DE]

P0441 EVAP CONTROL SYSTEM

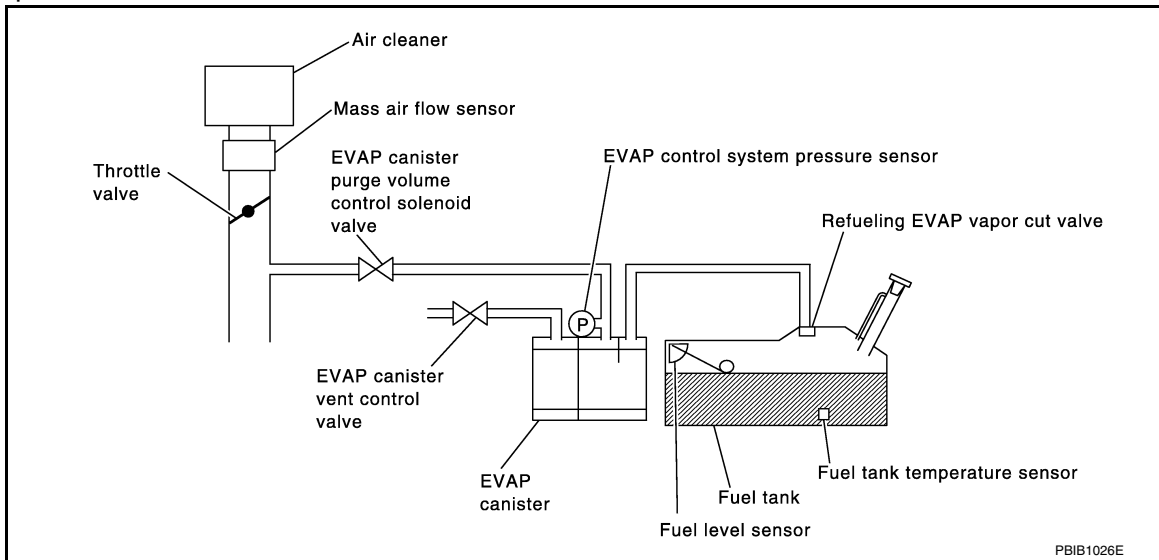
DTC Description

INFOID:0000000011939841

DTC DETECTION LOGIC

In this evaporative emission (EVAP) control system, purge flow occurs during non-closed throttle conditions. Purge volume is related to air intake volume. Under normal purge conditions (non-closed throttle), the EVAP canister purge volume control solenoid valve is open to admit purge flow. Purge flow exposes the EVAP control system pressure sensor to intake manifold vacuum.

Under normal conditions (non-closed throttle), sensor output voltage indicates if pressure drop and purge flow are adequate. If not, a malfunction is determined.



EVAP control system does not operate properly, EVAP control system has a leakage between intake manifold and EVAP control system pressure sensor.

DTC	CONSULT screen terms (Trouble diagnosis content)	DTC detection condition	
P0441	EVAP PURG FLOW/MON (Evaporative emission system incorrect purge flow)	Diagnosis condition	—
		Signal (terminal)	—
		Threshold	EVAP control system does not operate properly, EVAP control system has a leakage between intake manifold and EVAP control system pressure sensor
		Diagnosis delay time	—

POSSIBLE CAUSE

- EVAP canister purge volume control solenoid valve stuck closed
- EVAP control system pressure sensor and the circuit
- Loose, disconnected or improper connection of rubber tube
- Blocked rubber tube
- Cracked EVAP canister
- EVAP canister purge volume control solenoid valve circuit
- Accelerator pedal position sensor
- Blocked purge port
- EVAP canister vent control valve

FAIL-SAFE

Not applicable

DTC CONFIRMATION PROCEDURE

1. CHECK DTC PRIORITY

P0441 EVAP CONTROL SYSTEM

[VQ35DE]

< DTC/CIRCUIT DIAGNOSIS >

If DTC P0441 is displayed with other DTC such as P2122, P2123, P2127, P2128 or P2138, first perform trouble diagnosis for other DTC.

Is applicable DTC detected?

- YES >> Perform diagnosis of applicable. Refer to [EC-107. "DTC Index"](#).
- NO >> GO TO 2.

2. INSPECTION START

Will CONSULT be used?

Will CONSULT be used?

- YES >> GO TO 3.
- NO >> GO TO 7.

3. PRECONDITIONING

If DTC Confirmation Procedure has been previously conducted, always perform the following before conducting the next test.

1. Turn ignition switch OFF and wait at least 10 seconds.
2. Turn ignition switch ON.
3. Turn ignition switch OFF and wait at least 10 seconds.

TESTING CONDITION:

Always perform test at a temperature of 5°C (41°F) or more.

>> GO TO 4.

4. PERFORM DTC CONFIRMATION PROCEDURE-I

Ⓟ With CONSULT

1. Start engine and warm it up to normal operating temperature.
2. Turn ignition switch OFF and wait at least 10 seconds.
3. Turn ignition switch ON.
4. Turn ignition switch OFF and wait at least 10 seconds.
5. Start engine and let it idle for at least 70 seconds.
6. Select "PURG FLOW P0441" of "EVAPORATIVE SYSTEM" in "DTC WORK SUPPORT" mode with CONSULT.
7. Touch "START".

Is "COMPLETED" displayed on CONSULT screen?

- YES >> GO TO 6.
- NO >> GO TO 5.

5. PERFORM DTC CONFIRMATION PROCEDURE-II

When the following conditions are met, "TESTING" will be displayed on the CONSULT screen. Maintain the conditions continuously until "TESTING" changes to "COMPLETED". (It will take at least 35 seconds.)

Selector lever	Suitable position
VHCL SPEED SE	32 - 120 km/h (20 - 75 mph)
ENG SPEED	500 - 3,000 rpm
B/FUEL SCHDL	1.25 - 7.2 msec
COOLANT TEMP/S	More than 0°C (32°F)

CAUTION:

Always drive vehicle at a safe speed.

If "TESTING" does not change for a long time, retry from step 2.

Is "COMPLETED" displayed on CONSULT screen?

- YES >> GO TO 6.
- NO >> Perform DTC CONFIRMATION PROCEDURE again. GO TO 3.

6. PERFORM DTC CONFIRMATION PROCEDURE-III

Touch "SELF-DIAG RESULTS".

Which is displayed on CONSULT screen?

P0441 EVAP CONTROL SYSTEM

< DTC/CIRCUIT DIAGNOSIS >

[VQ35DE]

- OK-1 >> To check malfunction symptom before repair: Refer to [GI-41, "Intermittent Incident"](#).
- OK-2 >> Confirmation after repair: INSPECTION END
- NG >> Proceed to [EC-343, "Diagnosis Procedure"](#).

7.PERFORM COMPONENT FUNCTION CHECK

⊗ Without CONSULT

1. Lift up drive wheels.
2. Start engine (VDC switch OFF) and warm it up to normal operating temperature.
3. Turn ignition switch OFF, wait at least 10 seconds.
4. Turn ignition switch ON.
5. Turn ignition switch OFF, wait at least 10 seconds.
6. Start engine and wait at least 70 seconds.
7. Set voltmeter probes to ECM harness connector terminals under the following conditions.

Connector	ECM	
	+	-
Terminal		
E10	121	148

8. Check EVAP control system pressure sensor value at idle speed and note it.
9. Establish and maintain the following conditions for at least 1 minute.

Air conditioner switch	ON
Head lamp switch	ON
Rear window defogger switch	ON
Engine speed	Approx. 3,000 rpm
Gear position	Any position other than P, N or R

10. Verify that EVAP control system pressure sensor value stays 0.1 V less than the value at idle speed (measured at step 6) for at least 1 second.

Is the inspection result normal?

- YES-1 >> To check malfunction symptom before repair: Refer to [GI-41, "Intermittent Incident"](#).
- YES-2 >> Confirmation after repair: INSPECTION END
- NO >> Proceed to [EC-343, "Diagnosis Procedure"](#).

Diagnosis Procedure

INFOID:000000011939842

1.CHECK DTC PRIORITY

If DTC P0441 is displayed with other DTC such as P2122, P2123, P2127, P2128 or P2138, first perform trouble diagnosis for other DTC.

Is applicable DTC detected?

- YES >> Perform diagnosis of applicable. Refer to [EC-107, "DTC Index"](#).
- NO >> GO TO 2.

2.CHECK EVAP CANISTER

1. Turn ignition switch OFF.
2. Check EVAP canister for cracks.

Is the inspection result normal?

- YES-1 >> With CONSULT: GO TO 3.
- YES-2 >> Without CONSULT: GO TO 4.
- NO >> Replace EVAP canister. Refer to [FL-15, "Removal and Installation"](#).

3.CHECK PURGE FLOW

Ⓜ With CONSULT

1. Disconnect vacuum hose connected to EVAP canister purge volume control solenoid valve at EVAP service port and install vacuum gauge. For the location of EVAP service port, refer to [EC-46, "EVAPORATIVE EMISSION SYSTEM : System Description"](#).

P0441 EVAP CONTROL SYSTEM

[VQ35DE]

< DTC/CIRCUIT DIAGNOSIS >

2. Start engine and let it idle.
3. Select "PURG VOL C/V" in "ACTIVE TEST" mode with CONSULT.
4. Touch "Qd" and "Qu" on CONSULT screen to adjust "PURG VOL C/V" opening and check vacuum existence.

PURG VOL C/V	Vacuum
100%	Existed
0%	Not existed

Is the inspection result normal?

- YES >> GO TO 8.
NO >> GO TO 5.

4.CHECK PURGE FLOW

⊗ Without CONSULT

1. Start engine and warm it up to normal operating temperature.
2. Stop engine.
3. Disconnect vacuum hose connected to EVAP canister purge volume control solenoid valve at EVAP service port and install vacuum gauge. For the location of EVAP service port, refer to [EC-46, "EVAPORATIVE EMISSION SYSTEM : System Description"](#).
4. Start engine and let it idle.
Do not depress accelerator pedal even slightly.
5. Check vacuum gauge indication before 60 seconds pass after starting engine.

Vacuum should not exist.

6. Rev engine up to 2,000 rpm after 100 seconds pass after starting engine.

Vacuum should exist.

Is the inspection result normal?

- YES >> GO TO 8.
NO >> GO TO 5.

5.CHECK EVAP PURGE LINE

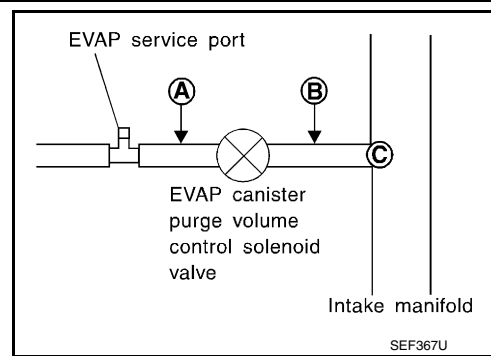
1. Turn ignition switch OFF.
2. Check EVAP purge line for improper connection or disconnection.
Refer to [EC-46, "EVAPORATIVE EMISSION SYSTEM : System Description"](#).

Is the inspection result normal?

- YES >> GO TO 6.
NO >> Repair EVAP purge line.

6.CHECK EVAP PURGE HOSE AND PURGE PORT

1. Disconnect purge hoses connected to EVAP service port **A** and EVAP canister purge volume control solenoid valve **B**.
2. Blow air into each hose and EVAP purge port **C**.



P0441 EVAP CONTROL SYSTEM

[VQ35DE]

< DTC/CIRCUIT DIAGNOSIS >

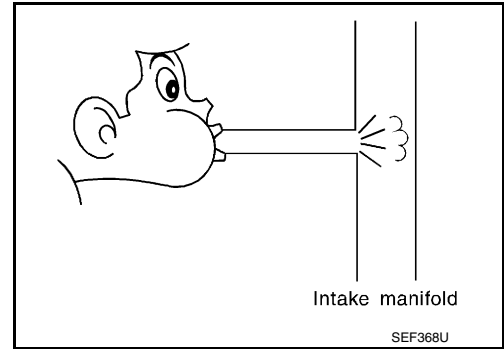
3. Check that air flows freely.

Is the inspection result normal?

YES-1 >> With CONSULT: GO TO 7.

YES-2 >> Without CONSULT: GO TO 8.

NO >> Repair or clean hoses and/or purge port.



7. CHECK EVAP CANISTER PURGE VOLUME CONTROL SOLENOID VALVE

With CONSULT

1. Start engine.

2. Perform "PURG VOL C/V" in "ACTIVE TEST" mode with CONSULT. Check that engine speed varies according to the valve opening.

Does engine speed vary according to the valve opening?

YES >> GO TO 9.

NO >> GO TO 8.

8. CHECK EVAP CANISTER PURGE VOLUME CONTROL SOLENOID VALVE

Check EVAP canister purge volume control solenoid valve. Refer to [EC-351. "Component Inspection"](#).

Is the inspection result normal?

YES >> GO TO 9.

NO >> Replace EVAP canister purge volume control solenoid valve. Refer to [EC-15. "ENGINE CONTROL SYSTEM : Component Parts Location"](#).

9. CHECK EVAP CONTROL SYSTEM PRESSURE SENSOR CONNECTOR

1. Disconnect EVAP control system pressure sensor harness connector.

2. Check that water is not inside connectors.

Is the inspection result normal?

YES >> GO TO 10.

NO >> Replace EVAP control system pressure sensor. Refer to [FL-19. "Removal and Installation"](#).

10. CHECK EVAP CONTROL SYSTEM PRESSURE SENSOR FUNCTION

Check EVAP control system pressure sensor function. Refer to [EC-367. "DTC Description"](#) for DTC P0452, [EC-370. "DTC Description"](#) for DTC P0453.

Is the inspection result normal?

YES >> GO TO 11.

NO >> Replace EVAP control system pressure sensor. Refer to [FL-19. "Removal and Installation"](#).

11. CHECK RUBBER TUBE FOR CLOGGING

1. Disconnect rubber tube connected to EVAP canister vent control valve.

2. Check the rubber tube for clogging.

Is the inspection result normal?

YES >> GO TO 12.

NO >> Clean the rubber tube using an air blower.

12. CHECK EVAP CANISTER VENT CONTROL VALVE

Check EVAP canister vent control valve. Refer to [EC-356. "Component Inspection"](#).

Is the inspection result normal?

YES >> GO TO 13.

NO >> Replace EVAP canister vent control valve. Refer to [FL-18. "Removal and Installation"](#).

13. CHECK EVAP PURGE LINE

Inspect EVAP purge line (pipe and rubber tube). Check for evidence of leakage.

Refer to [EC-46. "EVAPORATIVE EMISSION SYSTEM : System Description"](#).

P0441 EVAP CONTROL SYSTEM

[VQ35DE]

< DTC/CIRCUIT DIAGNOSIS >

Is the inspection result normal?

YES >> GO TO 14.

NO >> Repair EVAP purge line.

14.CLEAN EVAP PURGE LINE

Clean EVAP purge line (pipe and rubber tube) using air blower.

>> INSPECTION END

P0443 EVAP CANISTER PURGE VOLUME CONTROL SOLENOID VALVE

< DTC/CIRCUIT DIAGNOSIS >

[VQ35DE]

P0443 EVAP CANISTER PURGE VOLUME CONTROL SOLENOID VALVE

DTC Description

INFOID:000000011939843

DTC DETECTION LOGIC

1. The canister purge flow is detected during the vehicle is stopped while the engine is running, even when EVAP canister purge volume control solenoid valve is completely closed.
2. The canister purge flow is detected during the specified driving conditions, even when EVAP canister purge volume control solenoid valve is completely closed.

DTC	CONSULT screen terms (Trouble diagnosis content)	DTC detection condition		
P0443	PURG VOLUME CONT/V (Evaporative emission system purge control valve circuit)	1	Diagnosis condition	—
			Signal (terminal)	—
			Threshold	The canister purge flow is detected during the vehicle is stopped while the engine is running, even when EVAP canister purge volume control solenoid valve is completely closed
			Diagnosis delay time	—
		2	Diagnosis condition	—
			Signal (terminal)	—
			Threshold	The canister purge flow is detected during the specified driving conditions, even when EVAP canister purge volume control solenoid valve is completely closed
			Diagnosis delay time	—

POSSIBLE CAUSE

DTC P0443 - 1

- EVAP control system pressure sensor
- EVAP canister purge volume control solenoid valve
(The valve is stuck open.)
- EVAP canister vent control valve
- EVAP canister
- Hoses
(Hoses are connected incorrectly or clogged.)

DTC P0443 - 2

- EVAP control system pressure sensor
- EVAP canister purge volume control solenoid valve
(The valve is stuck open.)
- EVAP canister vent control valve
- EVAP canister
- Hoses
(Hoses are connected incorrectly or clogged.)

FAIL-SAFE

Not applicable

DTC CONFIRMATION PROCEDURE

1. PRECONDITIONING

If DTC Confirmation Procedure has been previously conducted, always perform the following procedure before conducting the next test.

1. Turn ignition switch OFF and wait at least 10 seconds.
2. Turn ignition switch ON.
3. Turn ignition switch OFF and wait at least 10 seconds.

TESTING CONDITION:

P0443 EVAP CANISTER PURGE VOLUME CONTROL SOLENOID VALVE

< DTC/CIRCUIT DIAGNOSIS >

[VQ35DE]

- Perform “DTC CONFIRMATION PROCEDURE” when the fuel level is between 1/4 and 3/4 full, and vehicle is placed on flat level surface.
- Always perform test at a temperature of 5 to 60°C (41 to 140°F).
- Cool the vehicle so that engine coolant temperature becomes same level as ambient temperature.

Do you have CONSULT

- YES >> GO TO 2.
- NO >> GO TO 4.

2.PERFORM DTC CONFIRMATION PROCEDURE 1

 **With CONSULT**

1. Turn ignition switch ON.
2. Check that the following condition are met.
FUEL T/TMP SE: 0 - 35°C (32 - 95°F)
3. Start engine and wait at least 60 seconds.
4. Check 1st trip DTC.

Is 1st trip DTC detected?

- YES >> Proceed to [EC-349. "Diagnosis Procedure"](#).
- NO >> GO TO 3.

3.PERFORM DTC CONFIRMATION PROCEDURE 2

 **With CONSULT**

1. Start engine and warm it up to normal operating temperature.
2. Turn ignition switch OFF and wait at least 10 seconds.
3. Turn ignition switch ON.
4. Turn ignition switch OFF and wait at least 10 seconds.
5. Turn ignition switch ON.
6. Select “PURG VOL CN/V P1444” of “EVAPORATIVE SYSTEM” in “DTC WORK SUPPORT” mode with CONSULT.
7. Touch “START”.
8. Start engine and let it idle until “TESTING” on CONSULT changes to “COMPLETED”. (It will take approximately 10 seconds.)
If “TESTING” is not displayed after 5 minutes, retry from step 2.
9. Touch “SELF-DIAG RESULTS”.

Which is displayed on CONSULT screen?

- YES >> INSPECTION END
- NO >> Proceed to [EC-349. "Diagnosis Procedure"](#).

4.PERFORM DTC CONFIRMATION PROCEDURE 1

 **With GST**

1. Turn ignition switch ON.
2. Set voltmeter probes to ECM harness connector terminals.

Connector	ECM		Voltage (V)
	+	-	
E10	128	148	3.1 - 4.0

3. Start engine and wait at least 60 seconds.
4. Check 1st trip DTC.

Is 1st trip DTC detected?

- YES >> Proceed to [EC-349. "Diagnosis Procedure"](#).
- NO >> GO TO 5.

5.PERFORM DTC CONFIRMATION PROCEDURE 2

 **With GST**

1. Start engine and warm it up to normal operating temperature.
2. Turn ignition switch OFF and wait at least 10 seconds.
3. Turn ignition switch ON.

P0443 EVAP CANISTER PURGE VOLUME CONTROL SOLENOID VALVE

< DTC/CIRCUIT DIAGNOSIS >

[VQ35DE]

4. Turn ignition switch OFF and wait at least 10 seconds.
5. Start engine and let it idle for at least 20 seconds.
6. Check 1st trip DTC.

Is 1st trip DTC displayed?

- YES >> Proceed to [EC-349, "Diagnosis Procedure"](#).
NO-1 >> To check malfunction symptom before repair: Refer to [GI-41, "Intermittent Incident"](#).
NO-2 >> Confirmation after repair: INSPECTION END

Diagnosis Procedure

INFOID:000000011939844

1. CHECK EVAP CANISTER PURGE VOLUME CONTROL SOLENOID VALVE POWER SUPPLY

1. Turn ignition switch OFF.
2. Disconnect EVAP canister purge volume control solenoid valve harness connector.
3. Turn ignition switch ON.
4. Check the voltage between EVAP canister purge volume control solenoid valve harness connector and ground.

+		-	Voltage
EVAP canister purge volume control solenoid valve			
Connector	Terminal		
F29	1	Ground	Battery voltage

Is the inspection result normal?

- YES >> GO TO 2.
NO >> Perform the trouble diagnosis for power supply circuit.

2. CHECK EVAP CANISTER PURGE VOLUME CONTROL SOLENOID VALVE OUTPUT SIGNAL CIRCUIT

1. Turn ignition switch OFF.
2. Disconnect ECM harness connector.
3. Check the continuity between EVAP canister purge volume control solenoid valve harness connector and ECM harness connector.

EVAP canister purge volume control solenoid valve		ECM		Continuity
Connector	Terminal	Connector	Terminal	
F29	2	F13	54	Existed

4. Also check harness for short to ground and short to power.

Is the inspection result normal?

- YES >> GO TO 3.
NO >> Repair open circuit, short to ground or short to power in harness or connectors.

3. CHECK EVAP CONTROL SYSTEM PRESSURE SENSOR CONNECTOR

1. Disconnect EVAP control system pressure sensor harness connector.
2. Check that water is not inside connectors.

Is the inspection result normal?

- YES >> GO TO 4.
NO >> Replace EVAP control system pressure sensor. Refer to [FL-19, "Removal and Installation"](#).

4. CHECK EVAP CONTROL SYSTEM PRESSURE SENSOR

Check EVAP control system pressure sensor. Refer to [EC-365, "Component Inspection"](#).

Is the inspection result normal?

- YES-1 >> With CONSULT: GO TO 5.
YES-2 >> Without CONSULT: GO TO 6.
NO >> Replace EVAP control system pressure sensor. Refer to [FL-19, "Removal and Installation"](#).

P0443 EVAP CANISTER PURGE VOLUME CONTROL SOLENOID VALVE

< DTC/CIRCUIT DIAGNOSIS >

[VQ35DE]

5. CHECK EVAP CANISTER PURGE VOLUME CONTROL SOLENOID VALVE

With CONSULT

1. Turn ignition switch OFF.
2. Reconnect harness connectors disconnected.
3. Start engine.
4. Perform "PURG VOL C/V" in "ACTIVE TEST" mode with CONSULT. Check that engine speed varies according to the valve opening.

Does engine speed vary according to the valve opening?

YES >> GO TO 7.

NO >> GO TO 6.

6. CHECK EVAP CANISTER PURGE VOLUME CONTROL SOLENOID VALVE

Check EVAP canister purge volume control solenoid valve. Refer to [EC-351. "Component Inspection"](#).

Is the inspection result normal?

YES >> GO TO 7.

NO >> Replace EVAP canister purge volume control solenoid valve. Refer to [EC-15. "ENGINE CONTROL SYSTEM : Component Parts Location"](#).

7. CHECK RUBBER TUBE FOR CLOGGING

1. Disconnect rubber tube connected to EVAP canister vent control valve.
2. Check the rubber tube for clogging.

Is the inspection result normal?

YES >> GO TO 8.

NO >> Clean the rubber tube using an air blower.

8. CHECK EVAP CANISTER VENT CONTROL VALVE

Check EVAP canister vent control valve. Refer to [EC-356. "Component Inspection"](#).

Is the inspection result normal?

YES >> GO TO 9.

NO >> Replace EVAP canister vent control valve. Refer to [FL-18. "Removal and Installation"](#).

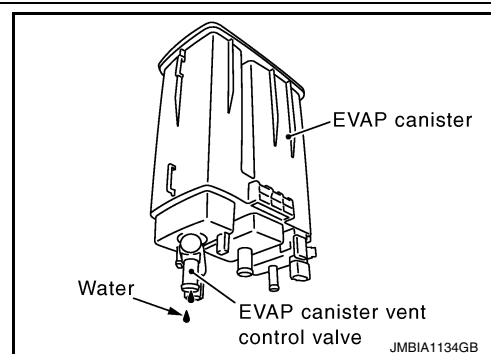
9. CHECK IF EVAP CANISTER IS SATURATED WITH WATER

Remove EVAP canister with EVAP canister vent control valve and EVAP control system pressure sensor attached. Refer to [FL-19. "Removal and Installation"](#).

Does water drain from the EVAP canister?

YES >> GO TO 10.

NO >> INSPECTION END



10. CHECK EVAP CANISTER

Weigh the EVAP canister with the EVAP canister vent control valve and EVAP control system pressure sensor attached.

The weight should be less than 2.1 kg (4.6 lb).

Is the inspection result normal?

YES >> INSPECTION END

NO >> GO TO 11.

11. DETECT MALFUNCTIONING PART

Check the following.

- EVAP canister for damage
- EVAP hose between EVAP canister and vehicle frame for clogging or poor connection

P0443 EVAP CANISTER PURGE VOLUME CONTROL SOLENOID VALVE

< DTC/CIRCUIT DIAGNOSIS >

[VQ35DE]

>> Repair hose or replace EVAP canister. Refer to [FL-15. "Removal and Installation"](#).

Component Inspection

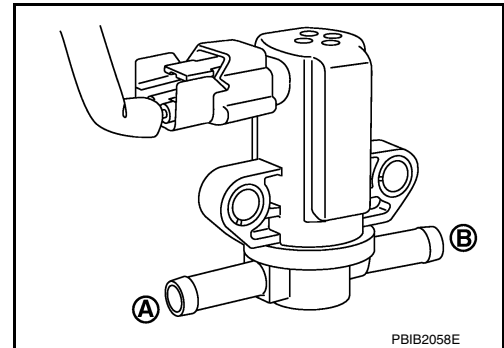
INFOID:000000011939845

1. CHECK EVAP CANISTER PURGE VOLUME CONTROL SOLENOID VALVE

With CONSULT

1. Turn ignition switch OFF.
2. Reconnect all harness connectors disconnected.
3. Disconnect EVAP purge hoses connected to EVAP canister purge volume control solenoid valve.
4. Start engine.
5. Select "PURG VOL C/V" in "ACTIVE TEST" mode with CONSULT.
6. Touch "Qd" and "Qu" on CONSULT screen to adjust "PURG VOL C/V" opening and check air passage continuity of EVAP canister purge volume control solenoid valve under the following conditions.

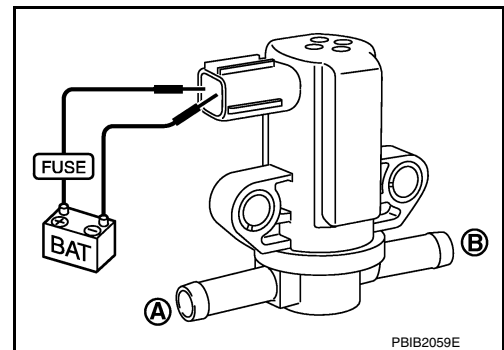
Condition (PURG VOL C/V value)	Air passage continuity between (A) and (B)
100%	Existed
0%	Not existed



Without CONSULT

1. Turn ignition switch OFF.
2. Disconnect EVAP canister purge volume control solenoid valve harness connector.
3. Disconnect EVAP purge hoses connected to EVAP canister purge volume control solenoid valve.
4. Check air passage continuity of EVAP canister purge volume control solenoid valve under the following conditions.

Condition	Air passage continuity between (A) and (B)
12 V direct current supply between terminals 1 and 2	Existed
No supply	Not existed



Is the inspection result normal?

YES >> INSPECTION END

NO >> Replace EVAP canister purge volume control solenoid valve. Refer to [EC-15. "ENGINE CONTROL SYSTEM : Component Parts Location"](#).

P0444, P0445 EVAP CANISTER PURGE VOLUME CONTROL SOLENOID VALVE

< DTC/CIRCUIT DIAGNOSIS >

[VQ35DE]

P0444, P0445 EVAP CANISTER PURGE VOLUME CONTROL SOLENOID VALVE

DTC Description

INFOID:000000011939846

DTC DETECTION LOGIC

- An excessively low voltage signal is sent to ECM through the valve.
- An excessively high voltage signal is sent to ECM through the valve.

DTC	CONSULT screen terms (Trouble diagnosis content)	DTC detection condition	
P0444	PURG VOLUME CONT/V (Evaporative emission system purge control valve circuit open)	Diagnosis condition	Start engine and let it idle
		Signal (terminal)	Voltage signal transmitted from EVAP canister purge volume control solenoid valve to ECM
		Threshold	An excessively low voltage signal is sent to ECM through the valve
		Diagnosis delay time	—
P0445	PURG VOLUME CONT/V (Evaporative emission system purge control valve circuit shorted)	Diagnosis condition	Start engine and let it idle
		Signal (terminal)	Voltage signal transmitted from EVAP canister purge volume control solenoid valve to ECM
		Threshold	An excessively high voltage signal is sent to ECM through the valve
		Diagnosis delay time	—

POSSIBLE CAUSE

DTC P0444

- Harness or connectors
(The solenoid valve circuit is open or shorted.)
- EVAP canister purge volume control solenoid valve

DTC P0445

- Harness or connectors
(The solenoid valve circuit is shorted.)
- EVAP canister purge volume control solenoid valve

FAIL-SAFE

Not applicable

DTC CONFIRMATION PROCEDURE

1.CONDITIONING

If DTC Confirmation Procedure has been previously conducted, always perform the following before conducting the next test.

1. Turn ignition switch OFF and wait at least 10 seconds.
2. Turn ignition switch ON.
3. Turn ignition switch OFF and wait at least 10 seconds.

TESTING CONDITION:

Before performing the following procedure, confirm battery voltage is more than 11 V at idle.

>> GO TO 2.

2.PERFORM DTC CONFIRMATION PROCEDURE

1. Start engine and let it idle for at least 13 seconds.
2. Check 1st trip DTC.

Is 1st trip DTC detected?

P0444, P0445 EVAP CANISTER PURGE VOLUME CONTROL SOLENOID VALVE

< DTC/CIRCUIT DIAGNOSIS >

[VQ35DE]

- YES >> Proceed to [EC-353, "Diagnosis Procedure"](#).
 NO-1 >> To check malfunction symptom before repair: Refer to [GI-41, "Intermittent Incident"](#).
 NO-2 >> Confirmation after repair: INSPECTION END

Diagnosis Procedure

INFOID:000000011939847

1. CHECK EVAP CANISTER PURGE VOLUME CONTROL SOLENOID VALVE POWER SUPPLY

- Turn ignition switch OFF.
- Disconnect EVAP canister purge volume control solenoid valve harness connector.
- Turn ignition switch ON.
- Check the voltage between EVAP canister purge volume control solenoid valve harness connector and ground.

+		-	Voltage
EVAP canister purge volume control solenoid valve			
Connector	Terminal		
F29	1	Ground	Battery voltage

Is the inspection result normal?

- YES >> GO TO 2.
 NO >> Perform the trouble diagnosis for power supply circuit.

2. CHECK EVAP CANISTER PURGE VOLUME CONTROL SOLENOID VALVE OUTPUT SIGNAL CIRCUIT

- Turn ignition switch OFF.
- Disconnect ECM harness connector.
- Check the continuity between EVAP canister purge volume control solenoid valve harness connector and ECM harness connector.

EVAP canister purge volume control solenoid valve		ECM		Continuity
Connector	Terminal	Connector	Terminal	
F29	2	F13	54	Existed

- Also check harness for short to ground and short to power.

Is the inspection result normal?

- YES-1 >> With CONSULT: GO TO 3.
 YES-2 >> Without CONSULT: GO TO 4.
 NO >> Repair open circuit, short to ground or short to power in harness or connectors.

3. CHECK EVAP CANISTER PURGE VOLUME CONTROL SOLENOID VALVE OPERATION

 **With CONSULT**

- Reconnect all harness connectors disconnected.
- Start engine.
- Perform "PURG VOL C/V" in "ACTIVE TEST" mode with CONSULT. Check that engine speed varies according to the valve opening.

Does engine speed vary according to the valve opening?

- YES >> INSPECTION END
 NO >> GO TO 4.

4. CHECK EVAP CANISTER PURGE VOLUME CONTROL SOLENOID VALVE

Check EVAP canister purge volume control solenoid valve. Refer to [EC-354, "Component Inspection"](#).

Is the inspection result normal?

- YES >> INSPECTION END
 NO >> Replace EVAP canister purge volume control solenoid valve. Refer to [EC-15, "ENGINE CONTROL SYSTEM : Component Parts Location"](#).

P0444, P0445 EVAP CANISTER PURGE VOLUME CONTROL SOLENOID VALVE

< DTC/CIRCUIT DIAGNOSIS >

[VQ35DE]

Component Inspection

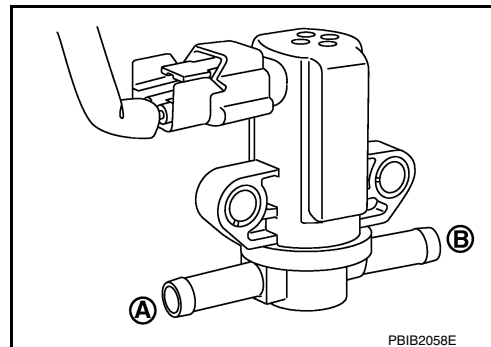
INFOID:000000011939848

1. CHECK EVAP CANISTER PURGE VOLUME CONTROL SOLENOID VALVE

④ With CONSULT

1. Turn ignition switch OFF.
2. Reconnect all harness connectors disconnected.
3. Disconnect EVAP purge hoses connected to EVAP canister purge volume control solenoid valve.
4. Start engine.
5. Select "PURG VOL C/V" in "ACTIVE TEST" mode with CONSULT.
6. Touch "Qd" and "Qu" on CONSULT screen to adjust "PURG VOL C/V" opening and check air passage continuity of EVAP canister purge volume control solenoid valve under the following conditions.

Condition (PURG VOL C/V value)	Air passage continuity between (A) and (B)
100%	Existed
0%	Not existed

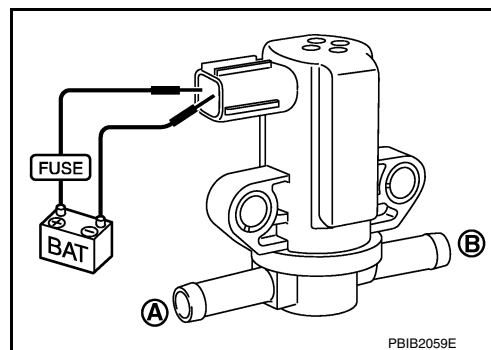


PBIB2058E

⊗ Without CONSULT

1. Turn ignition switch OFF.
2. Disconnect EVAP canister purge volume control solenoid valve harness connector.
3. Disconnect EVAP purge hoses connected to EVAP canister purge volume control solenoid valve.
4. Check air passage continuity of EVAP canister purge volume control solenoid valve under the following conditions.

Condition	Air passage continuity between (A) and (B)
12 V direct current supply between terminals 1 and 2	Existed
No supply	Not existed



PBIB2059E

Is the inspection result normal?

YES >> INSPECTION END

NO >> Replace EVAP canister purge volume control solenoid valve. Refer to [EC-15. "ENGINE CONTROL SYSTEM : Component Parts Location"](#).

P0447 EVAP CANISTER VENT CONTROL VALVE

< DTC/CIRCUIT DIAGNOSIS >

[VQ35DE]

P0447 EVAP CANISTER VENT CONTROL VALVE

DTC Description

INFOID:000000011939849

DTC DETECTION LOGIC

An improper voltage signal is sent to ECM through EVAP canister vent control valve.

DTC	CONSULT screen terms (Trouble diagnosis content)	DTC detection condition	
		Diagnosis condition	Start engine and let it idle
P0447	VENT CONTROL VALVE (Evaporative emission system vent control circuit open)	Signal (terminal)	Voltage signal transmitted from EVAP canister vent control valve to ECM
		Threshold	An improper voltage signal is sent to ECM through EVAP canister vent control valve
		Diagnosis delay time	—

POSSIBLE CAUSE

- Harness or connectors
(The valve circuit is open or shorted.)
- EVAP canister vent control valve
- Hoses
(Hoses are connected incorrectly or clogged.)

FAIL-SAFE

Not applicable

DTC CONFIRMATION PROCEDURE

1. PRECONDITIONING

If DTC Confirmation Procedure has been previously conducted, always perform the following before conducting the next test.

1. Turn ignition switch OFF and wait at least 10 seconds.
2. Turn ignition switch ON.
3. Turn ignition switch OFF and wait at least 10 seconds.

TESTING CONDITION:

Before performing the following procedure, confirm battery voltage is more than 11 V at idle.

>> GO TO 2.

2. PERFORM DTC CONFIRMATION PROCEDURE

1. Start engine and wait at least 8 seconds.
2. Check 1st trip DTC.

Is 1st trip DTC detected?

YES >> Proceed to [EC-355, "Diagnosis Procedure"](#).

NO-1 >> To check malfunction symptom before repair: Refer to [GI-41, "Intermittent Incident"](#).

NO-2 >> Confirmation after repair: INSPECTION END

Diagnosis Procedure

INFOID:000000011939850

1. INSPECTION START

Will CONSULT be used?

Will CONSULT be used?

YES >> GO TO 2.

NO >> GO TO 3.

2. CHECK EVAP CANISTER VENT CONTROL VALVE CIRCUIT

With CONSULT

1. Turn ignition switch OFF and then ON.

P0447 EVAP CANISTER VENT CONTROL VALVE

[VQ35DE]

< DTC/CIRCUIT DIAGNOSIS >

2. Select "VENT CONTROL/V" in "ACTIVE TEST" mode with CONSULT.
3. Touch "ON/OFF" on CONSULT screen.
4. Check for operating sound of the valve.

Clicking sound should be heard.

Is the inspection result normal?

YES >> GO TO 6.

NO >> GO TO 3.

3.CHECK EVAP CANISTER VENT CONTROL VALVE POWER SUPPLY

1. Turn ignition switch OFF.
2. Disconnect EVAP canister vent control valve harness connector.
3. Turn ignition switch ON.
4. Check the voltage between EVAP canister vent control valve harness connector and ground.

+		-	Voltage
Connector	Terminal		
B39	1	Ground	Battery voltage

Is the inspection result normal?

YES >> GO TO 4.

NO >> Perform the trouble diagnosis for power supply circuit.

4.CHECK EVAP CANISTER VENT CONTROL VALVE OUTPUT SIGNAL CIRCUIT

1. Turn ignition switch OFF.
2. Disconnect ECM harness connector.
3. Check the continuity between ECM harness connector and EVAP canister vent control valve harness connector.

EVAP canister vent control valve		ECM		Continuity
Connector	Terminal	Connector	Terminal	
B39	2	E10	141	Existed

4. Also check harness for short to ground and short to power.

Is the inspection result normal?

YES >> GO TO 5.

NO >> Repair open circuit, short to ground or short to power in harness or connectors.

5.CHECK RUBBER TUBE FOR CLOGGING

1. Disconnect rubber tube connected to EVAP canister vent control valve.
2. Check the rubber tube for clogging.

Is the inspection result normal?

YES >> GO TO 6.

NO >> Clean the rubber tube using an air blower.

6.CHECK EVAP CANISTER VENT CONTROL VALVE

Check EVAP canister vent control valve. Refer to [EC-356, "Component Inspection"](#).

Is the inspection result normal?

YES >> INSPECTION END

NO >> Replace EVAP canister vent control valve. Refer to [FL-18, "Removal and Installation"](#).

Component Inspection

INFOID:0000000011939851

1.CHECK EVAP CANISTER VENT CONTROL VALVE-I

1. Remove EVAP canister vent control valve from EVAP canister. Refer to [FL-18, "Removal and Installation"](#).

P0447 EVAP CANISTER VENT CONTROL VALVE

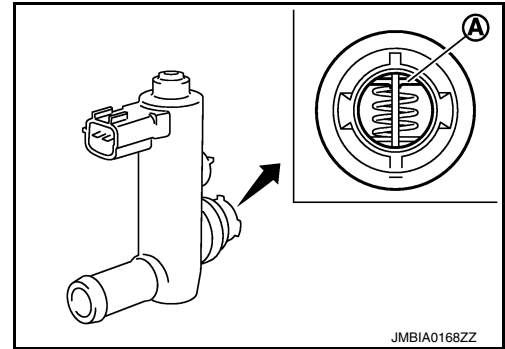
[VQ35DE]

< DTC/CIRCUIT DIAGNOSIS >

2. Check portion (A) of EVAP canister vent control valve for rust.

Is it rusted?

- YES >> Replace EVAP canister vent control valve. Refer to [FL-18, "Removal and Installation"](#).
- NO >> GO TO 2.



2. CHECK EVAP CANISTER VENT CONTROL VALVE-II

With CONSULT

1. Reconnect harness connectors disconnected.
2. Turn ignition switch ON.
3. Perform "VENT CONTROL/V" in "ACTIVE TEST" mode.
4. Check air passage continuity and operation delay time.
Check that new O-ring is installed properly.

Condition VENT CONTROL/V	Air passage continuity between (A) and (B)
ON	Not existed
OFF	Existed

Operation takes less than 1 second.

Without CONSULT

1. Disconnect EVAP canister vent control valve harness connector.
2. Check air passage continuity and operation delay time under the following conditions.

Check that new O-ring is installed properly.

Condition	Air passage continuity between (A) and (B)
12 V direct current supply between terminals 1 and 2	Not existed
OFF	Existed

Operation takes less than 1 second.

Is the inspection result normal?

- YES >> INSPECTION END
- NO >> GO TO 3.

3. CHECK EVAP CANISTER VENT CONTROL VALVE-III

With CONSULT

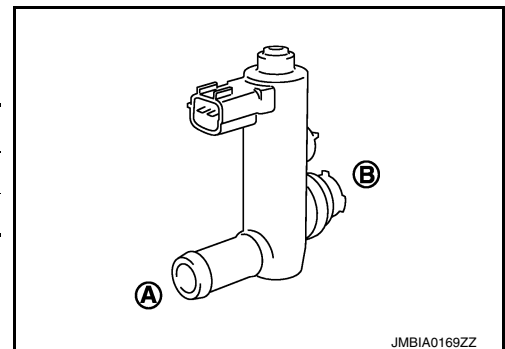
1. Clean the air passage [portion (A) to (B)] of EVAP canister vent control valve using an air blower.
2. Perform "VENT CONTROL/V" in "ACTIVE TEST" mode.
3. Check air passage continuity and operation delay time.
Check that new O-ring is installed properly.

Condition VENT CONTROL/V	Air passage continuity between (A) and (B)
ON	No
OFF	Yes

Operation takes less than 1 second.

Without CONSULT

1. Clean the air passage [portion (A) to (B)] of EVAP canister vent control valve using an air blower.
2. Check air passage continuity and operation delay time under the following conditions.



P0447 EVAP CANISTER VENT CONTROL VALVE

< DTC/CIRCUIT DIAGNOSIS >

[VQ35DE]

Check that new O-ring is installed properly.

Condition	Air passage continuity between (A) and (B)
12 V direct current supply between terminals (1) and (2)	No
OFF	Yes

Operation takes less than 1 second.

Is the inspection result normal?

YES >> INSPECTION END

NO >> Replace EVAP canister vent control valve. Refer to [FL-18, "Removal and Installation"](#).

P0448 EVAP CANISTER VENT CONTROL VALVE

< DTC/CIRCUIT DIAGNOSIS >

[VQ35DE]

P0448 EVAP CANISTER VENT CONTROL VALVE

DTC Description

INFOID:000000011939852

DTC DETECTION LOGIC

EVAP canister vent control valve remains closed under specified driving conditions.

DTC	CONSULT screen terms (Trouble diagnosis content)	DTC detection condition	
P0448	VENT CONTROL VALVE (Evaporative emission system vent control circuit shorted)	Diagnosis condition	—
		Signal (terminal)	—
		Threshold	EVAP canister vent control valve remains closed under specified driving conditions
		Diagnosis delay time	—

POSSIBLE CAUSE

- EVAP canister vent control valve
- EVAP control system pressure sensor and the circuit
- Blocked rubber tube to EVAP canister vent control valve
- EVAP canister is saturated with water

FAIL-SAFE

Not applicable

DTC CONFIRMATION PROCEDURE

1. PRECONDITIONING

If DTC Confirmation Procedure has been previously conducted, always perform the following before conducting the next test.

1. Turn ignition switch OFF and wait at least 10 seconds.
2. Turn ignition switch ON.
3. Turn ignition switch OFF and wait at least 10 seconds.

>> GO TO 2.

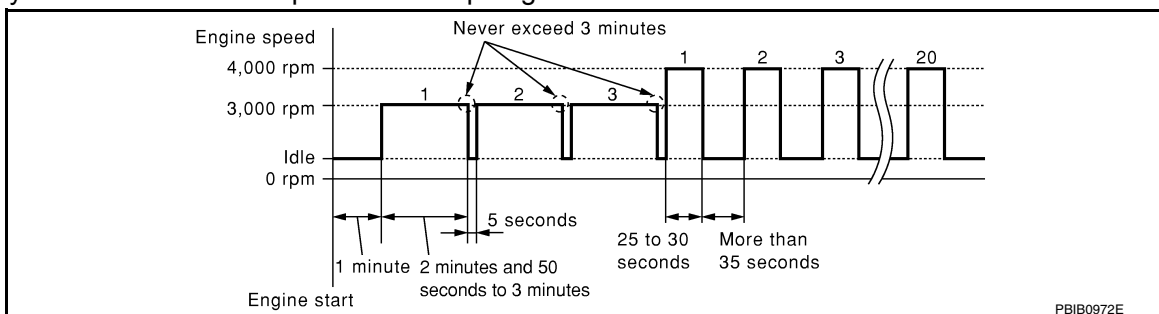
2. PERFORM DTC CONFIRMATION PROCEDURE

With CONSULT

1. Turn ignition switch ON and wait at least 5 seconds.
2. Turn ignition switch OFF and wait at least 10 seconds.
3. Turn ignition switch ON and select "DATA MONITOR" mode with CONSULT.
4. Start engine and let it idle for at least 1 minute.
5. Repeat next procedures 3 times.
 - Increase the engine speed up to 3,000 to 3,500 rpm and keep it for 2 minutes and 50 seconds to 3 minutes.

Never exceed 3 minutes.

- Fully released accelerator pedal and keep engine idle for about 5 seconds.
- 6. Repeat next procedure 20 times.
 - Quickly increase the engine speed up to 4,000 to 4,500 rpm or more and keep it for 25 to 30 seconds.
 - Fully released accelerator pedal and keep engine idle for at least 35 seconds.



P0448 EVAP CANISTER VENT CONTROL VALVE

[VQ35DE]

< DTC/CIRCUIT DIAGNOSIS >

7. Check 1st trip DTC.

Is 1st trip DTC detected?

YES >> Proceed to [EC-360, "Diagnosis Procedure"](#).

NO-1 >> To check malfunction symptom before repair: Refer to [GI-41, "Intermittent Incident"](#).

NO-2 >> Confirmation after repair: INSPECTION END

Diagnosis Procedure

INFOID:000000011939853

1. CHECK RUBBER TUBE

1. Turn ignition switch OFF.
2. Disconnect rubber tube connected to EVAP canister vent control valve.
3. Check the rubber tube for clogging.

Is the inspection result normal?

YES >> GO TO 2.

NO >> Clean rubber tube using an air blower.

2. CHECK EVAP CANISTER VENT CONTROL VALVE

Check EVAP canister vent control valve. Refer to [EC-361, "Component Inspection"](#).

Is the inspection result normal?

YES >> GO TO 3.

NO >> Replace EVAP canister vent control valve. Refer to [FL-18, "Removal and Installation"](#).

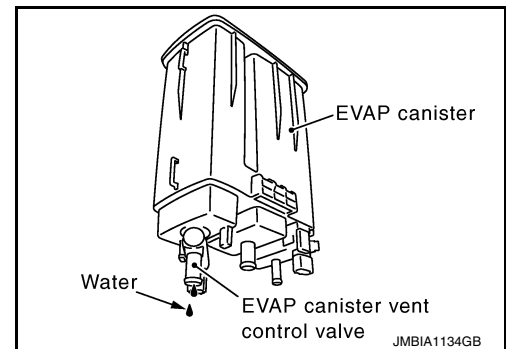
3. CHECK IF EVAP CANISTER SATURATED WITH WATER

1. Remove EVAP canister with EVAP canister vent control valve and EVAP control system pressure sensor attached. Refer to [FL-19, "Removal and Installation"](#).
2. Check if water will drain from the EVAP canister.

Does water drain from the EVAP canister?

YES >> GO TO 4.

NO >> GO TO 6.



4. CHECK EVAP CANISTER

Weigh the EVAP canister with the EVAP canister vent control valve and EVAP control system pressure sensor attached.

The weight should be less than 2.1 kg (4.6 lb).

Is the inspection result normal?

YES >> GO TO 6.

NO >> GO TO 5.

5. DETECT MALFUNCTIONING PART

Check the following.

- EVAP canister for damage
- EVAP hose between EVAP canister and vehicle frame for clogging or poor connection

>> Repair hose or replace EVAP canister. Refer to [FL-15, "Removal and Installation"](#).

6. CHECK EVAP CONTROL SYSTEM PRESSURE SENSOR CONNECTOR

1. Disconnect EVAP control system pressure sensor harness connector.
2. Check that water is not inside connectors.

Is the inspection result normal?

YES >> GO TO 7.

P0448 EVAP CANISTER VENT CONTROL VALVE

[VQ35DE]

< DTC/CIRCUIT DIAGNOSIS >

NO >> Replace EVAP control system pressure sensor. Refer to [FL-19, "Removal and Installation"](#).

7. CHECK EVAP CONTROL SYSTEM PRESSURE SENSOR

Check EVAP control system pressure sensor. Refer to [EC-365, "Component Inspection"](#).

Is the inspection result normal?

YES >> INSPECTION END

NO >> Replace EVAP control system pressure sensor. Refer to [FL-19, "Removal and Installation"](#).

Component Inspection

INFOID:000000011939854

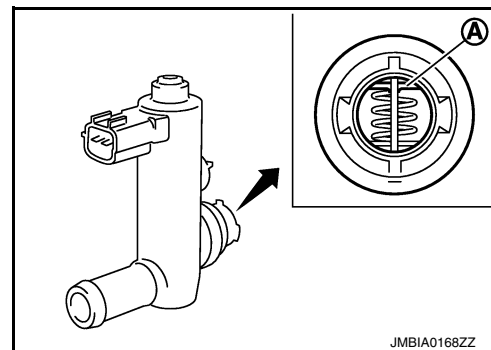
1. CHECK EVAP CANISTER VENT CONTROL VALVE-I

- Remove EVAP canister vent control valve from EVAP canister. Refer to [FL-18, "Removal and Installation"](#).
- Check portion (A) of EVAP canister vent control valve for rust.

Is it rusted?

YES >> Replace EVAP canister vent control valve. Refer to [FL-18, "Removal and Installation"](#).

NO >> GO TO 2.



2. CHECK EVAP CANISTER VENT CONTROL VALVE-II

With CONSULT

- Reconnect harness connectors disconnected.
- Turn ignition switch ON.
- Perform "VENT CONTROL/V" in "ACTIVE TEST" mode.
- Check air passage continuity and operation delay time.
Check that new O-ring is installed properly.

Condition VENT CONTROL/V	Air passage continuity between (A) and (B)
ON	Not existed
OFF	Existed

Operation takes less than 1 second.

Without CONSULT

- Disconnect EVAP canister vent control valve harness connector.
- Check air passage continuity and operation delay time under the following conditions.

Check that new O-ring is installed properly.

Condition	Air passage continuity between (A) and (B)
12 V direct current supply between terminals 1 and 2	Not existed
OFF	Existed

Operation takes less than 1 second.

Is the inspection result normal?

YES >> INSPECTION END

NO >> GO TO 3.

3. CHECK EVAP CANISTER VENT CONTROL VALVE-III

With CONSULT

- Clean the air passage [portion (A) to (B)] of EVAP canister vent control valve using an air blower.
- Perform "VENT CONTROL/V" in "ACTIVE TEST" mode.

P0448 EVAP CANISTER VENT CONTROL VALVE

[VQ35DE]

< DTC/CIRCUIT DIAGNOSIS >

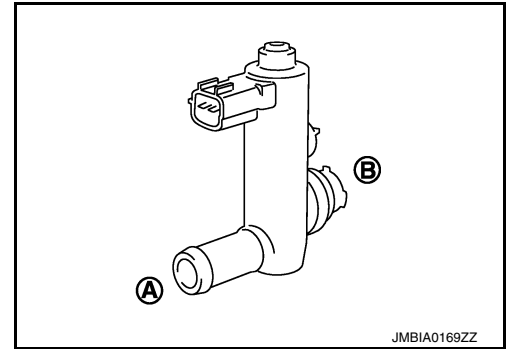
3. Check air passage continuity and operation delay time.
Check that new O-ring is installed properly.

Condition VENT CONTROL/V	Air passage continuity between (A) and (B)
ON	No
OFF	Yes

Operation takes less than 1 second.

⊗ **Without CONSULT**

1. Clean the air passage [portion (A) to (B)] of EVAP canister vent control valve using an air blower.
2. Check air passage continuity and operation delay time under the following conditions.
Check that new O-ring is installed properly.



Condition	Air passage continuity between (A) and (B)
12 V direct current supply between terminals (1) and (2)	No
OFF	Yes

Operation takes less than 1 second.

Is the inspection result normal?

YES >> INSPECTION END

NO >> Replace EVAP canister vent control valve. Refer to [FL-18. "Removal and Installation"](#).

P0451 EVAP CONTROL SYSTEM PRESSURE SENSOR

< DTC/CIRCUIT DIAGNOSIS >

[VQ35DE]

P0451 EVAP CONTROL SYSTEM PRESSURE SENSOR

DTC Description

INFOID:000000011939855

DTC DETECTION LOGIC

ECM detects a sloshing signal from the EVAP control system pressure sensor.

DTC	CONSULT screen terms (Trouble diagnosis content)	DTC detection condition	
P0451	EVAP SYS PRES SEN (Evaporative emission system pressure sensor/switch range/performance)	Diagnosis condition	—
		Signal (terminal)	Voltage signal transmitted from EVAP control system pressure sensor to ECM
		Threshold	ECM detects a sloshing signal from the EVAP control system pressure sensor
		Diagnosis delay time	—

POSSIBLE CAUSE

- Harness or connectors
(EVAP control system pressure sensor circuit is shorted.)
- EVAP control system pressure sensor

FAIL-SAFE

Not applicable

DTC CONFIRMATION PROCEDURE

NOTE:

Never remove fuel filler cap during DTC confirmation procedure.

1. PRECONDITIONING

If DTC Confirmation Procedure has been previously conducted, always perform the following procedure before conducting the next test.

1. Turn ignition switch OFF and wait at least 10 seconds.
2. Turn ignition switch ON.
3. Turn ignition switch OFF and wait at least 10 seconds.

With CONSULT >> GO TO 2.

Without CONSULT >> GO TO 5.

2. PERFORM DTC CONFIRMATION PROCEDURE-1

With CONSULT

1. Start engine and let it idle for least 40 seconds.

NOTE:

Do not depress accelerator pedal even slightly.

2. Check 1st trip DTC.

Is 1st trip DTC detected?

YES >> Proceed to [EC-364, "Diagnosis Procedure"](#).

NO >> GO TO 3.

3. PERFORM DTC CONFIRMATION PROCEDURE-2

With CONSULT

1. Select "EVAP DIAG READY" in "DATA MONITOR" mode of "ENGINE".
2. Let it idle until "OFF" of "EVAP DIAG READY" changes to "ON".

NOTE:

It will take at most 2 hours until "OFF" of "EVAP DIAG READY" changes to "ON".

3. Turn ignition switch OFF and wait at least 90 minutes.

NOTE:

Never turn ignition switch ON during 90 minutes.

4. Turn ignition switch ON.

P0451 EVAP CONTROL SYSTEM PRESSURE SENSOR

[VQ35DE]

< DTC/CIRCUIT DIAGNOSIS >

5. Select "EVAP LEAK DIAG" in "DATA MONITOR" mode of "ENGINE".
6. Check that "EVAP LEAK DIAG" indication.

Which is displayed on CONSULT?

CMPLT >> GO TO 4.

- YET >> 1. Perform DTC CONFIRMATION PROCEDURE again.
2. GO TO 1.

4.PERFORM DTC CONFIRMATION PROCEDURE-3

Ⓜ With CONSULT

Check 1st trip DTC.

Is 1st trip DTC detected?

YES >> Proceed to [EC-364. "Diagnosis Procedure"](#).

NO-1 >> To check malfunction symptom before repair: Refer to [GI-41. "Intermittent Incident"](#).

NO-2 >> Confirmation after repair: INSPECTION END

5.PERFORM DTC CONFIRMATION PROCEDURE-4

Ⓜ With GST

1. Start engine and let it idle for least 40 seconds.

NOTE:

Do not depress accelerator pedal even slightly.

2. Check 1st trip DTC.

Is 1st trip DTC detected?

YES >> Proceed to [EC-364. "Diagnosis Procedure"](#).

NO >> GO TO 6.

6.PERFORM DTC CONFIRMATION PROCEDURE-5

Ⓜ With GST

1. Let it idle for at least 2 hours.
2. Turn ignition switch OFF and wait at least 90 minutes.

NOTE:

Never turn ignition switch ON during 90 minutes.

3. Turn ignition switch ON.
4. Check 1st trip DTC.

Is 1st trip DTC detected?

YES >> Proceed to [EC-364. "Diagnosis Procedure"](#).

NO-1 >> To check malfunction symptom before repair: Refer to [GI-41. "Intermittent Incident"](#).

NO-2 >> Confirmation after repair: INSPECTION END

Diagnosis Procedure

INFOID:000000011939856

1.CHECK EVAP CONTROL SYSTEM PRESSURE SENSOR CONNECTOR FOR WATER

1. Disconnect EVAP control system pressure sensor harness connector.
2. Check that water is not inside connectors.

Is the inspection result normal?

YES >> GO TO 2.

NO >> Repair or replace error-detected parts.

2.CHECK EVAP CONTROL SYSTEM PRESSURE SENSOR POWER SUPPLY

1. Turn ignition switch ON.
2. Check the voltage between EVAP control system pressure sensor harness connector and ground.

+		-	Voltage (V)
Connector	Terminal		
B41	3	Ground	Approx. 5

Is the inspection result normal?

P0451 EVAP CONTROL SYSTEM PRESSURE SENSOR

[VQ35DE]

< DTC/CIRCUIT DIAGNOSIS >

- YES >> GO TO 4.
- NO >> GO TO 3.

3. CHECK EVAP CONTROL SYSTEM PRESSURE SENSOR POWER SUPPLY CIRCUIT

1. Turn ignition switch OFF.
2. Disconnect ECM harness connector.
3. Check the continuity between EVAP control system pressure sensor harness connector and ECM harness connector.

EVAP control system pressure sensor		ECM		Continuity
Connector	Terminal	Connector	Terminal	
B41	3	E10	125	Existed

Is the inspection result normal?

- YES >> INSPECTION END
- NO >> Repair or replace error-detected parts.

4. CHECK EVAP CONTROL SYSTEM PRESSURE SENSOR GROUND CIRCUIT

1. Turn ignition switch OFF.
2. Disconnect ECM harness connector.
3. Check the continuity between EVAP control system pressure sensor harness connector and ECM harness connector.

EVAP control system pressure sensor		ECM		Continuity
Connector	Terminal	Connector	Terminal	
B41	1	E10	148	Existed

4. Also check harness for short to ground and short to power.

Is the inspection result normal?

- YES >> GO TO 5.
- NO >> Repair or replace error-detected parts.

5. CHECK EVAP CONTROL SYSTEM PRESSURE SENSOR

Check EVAP control system pressure sensor. Refer to [EC-365, "Component Inspection"](#).

Is the inspection result normal?

- YES >> INSPECTION END
- NO >> Replace EVAP control system pressure sensor. Refer to [FL-19, "Removal and Installation"](#).

Component Inspection

INFOID:000000011939857

1. CHECK EVAP CONTROL SYSTEM PRESSURE SENSOR

1. Turn ignition switch OFF.
2. Remove EVAP control system pressure sensor with its harness connector. Refer to [FL-19, "Removal and Installation"](#).
Always replace O-ring with a new one.
3. Install a vacuum pump to EVAP control system pressure sensor.
4. Turn ignition switch ON and check output voltage between ECM terminals under the following conditions.

Connector	ECM		Applied vacuum kPa (bar, kg/cm ² , psi)	Voltage
	+	-		
	Terminal	Terminal		
E10	121	148	Not applied	1.8 - 4.8 V
			-26.7 (-0.267, -0.272, -3.87)	2.1 to 2.5 V lower than above value

CAUTION:

- Always calibrate the vacuum pump gauge when using it.

P0451 EVAP CONTROL SYSTEM PRESSURE SENSOR

< DTC/CIRCUIT DIAGNOSIS >

[VQ35DE]

- Never apply below -93.3 kPa (-0.933 bar, -0.952 kg/cm², -13.53 psi) or pressure over 101.3 kPa (1.013 bar, 1.033 kg/cm², 14.69 psi).

Is the inspection result normal?

YES >> INSPECTION END

NO >> Replace EVAP control system pressure sensor. Refer to [FL-19, "Removal and Installation"](#).

P0452 EVAP CONTROL SYSTEM PRESSURE SENSOR

< DTC/CIRCUIT DIAGNOSIS >

[VQ35DE]

P0452 EVAP CONTROL SYSTEM PRESSURE SENSOR

DTC Description

INFOID:0000000011939858

DTC DETECTION LOGIC

An excessively low voltage from the sensor is sent to ECM.

DTC	CONSULT screen terms (Trouble diagnosis content)	DTC detection condition	
		Diagnosis condition	—
P0452	EVAP SYS PRES SEN (Evaporative emission system pressure sensor/switch low)	Signal (terminal)	Voltage signal transmitted from EVAP control system pressure sensor to ECM
		Threshold	An excessively low voltage from the sensor is sent to ECM
		Diagnosis delay time	—

POSSIBLE CAUSE

- Harness or connectors
(EVAP control system pressure sensor circuit is open or shorted.)
- EVAP control system pressure sensor

FAIL-SAFE

Not applicable

DTC CONFIRMATION PROCEDURE

1. PRECONDITIONING

If DTC Confirmation Procedure has been previously conducted, always perform the following before conducting the next test.

1. Turn ignition switch OFF and wait at least 10 seconds.
2. Turn ignition switch ON.
3. Turn ignition switch OFF and wait at least 10 seconds.

TESTING CONDITION:

Always perform test at a temperature of 5°C (41°F) or more.

>> GO TO 2.

2. PERFORM DTC CONFIRMATION PROCEDURE

With CONSULT

1. Start engine and warm it up to normal operating temperature.
2. Turn ignition switch OFF and wait at least 10 seconds.
3. Turn ignition switch ON.
4. Turn ignition switch OFF and wait at least 10 seconds.
5. Turn ignition switch ON.
6. Select "DATA MONITOR" mode with CONSULT.
7. Check that "FUEL T/TMP SE" is more than 0°C (32°F).
8. Start engine and wait at least 20 seconds.
9. Check 1st trip DTC.

With GST

1. Start engine and warm it up to normal operating temperature.
2. Set voltmeter probes to ECM harness connector terminals under the following conditions.

Connector	ECM	
	+	-
E10	128	148

3. Check that the voltage is less than 4.2 V.

P0452 EVAP CONTROL SYSTEM PRESSURE SENSOR

[VQ35DE]

< DTC/CIRCUIT DIAGNOSIS >

4. Turn ignition switch OFF and wait at least 10 seconds.
5. Turn ignition switch ON.
6. Turn ignition switch OFF and wait at least 10 seconds.
7. Start engine and wait at least 20 seconds.
8. Check 1st trip DTC.

Is 1st trip DTC detected?

- YES >> Proceed to [EC-368, "Diagnosis Procedure"](#).
NO-1 >> To check malfunction symptom before repair: Refer to [GI-41, "Intermittent Incident"](#).
NO-2 >> Confirmation after repair: INSPECTION END

Diagnosis Procedure

INFOID:000000011939859

1. CHECK CONNECTOR

1. Disconnect EVAP control system pressure sensor harness connector.
2. Check that water is not inside connector.

Is the inspection result normal?

- YES >> GO TO 2.
NO >> Repair or replace harness connector.

2. CHECK EVAP CONTROL SYSTEM PRESSURE SENSOR POWER SUPPLY

1. Turn ignition switch ON.
2. Check the voltage between EVAP control system pressure sensor harness connector and ground.

+		-	Voltage (V)
Connector	Terminal		
B41	3	Ground	Approx. 5

Is the inspection result normal?

- YES >> GO TO 4.
NO >> GO TO 3.

3. CHECK EVAP CONTROL SYSTEM PRESSURE SENSOR POWER SUPPLY CIRCUIT

1. Turn ignition switch OFF.
2. Disconnect ECM harness connector.
3. Check the continuity between EVAP control system pressure sensor harness connector and ECM harness connector.

EVAP control system pressure sensor		ECM		Continuity
Connector	Terminal	Connector	Terminal	
B41	3	E10	125	Existed

Is the inspection result normal?

- YES >> INSPECTION END
NO >> Repair or replace harness connector.

4. CHECK EVAP CONTROL SYSTEM PRESSURE SENSOR GROUND CIRCUIT

1. Turn ignition switch OFF.
2. Disconnect ECM harness connector.
3. Check the continuity between EVAP control system pressure sensor harness connector and ECM harness connector.

EVAP control system pressure sensor		ECM		Continuity
Connector	Terminal	Connector	Terminal	
B41	1	E10	148	Existed

P0452 EVAP CONTROL SYSTEM PRESSURE SENSOR

[VQ35DE]

< DTC/CIRCUIT DIAGNOSIS >

4. Also check harness for short to ground and short to power.

Is the inspection result normal?

YES >> GO TO 5.

NO >> Repair open circuit, short to ground or short to power in harness or connectors.

5. CHECK EVAP CONTROL SYSTEM PRESSURE SENSOR INPUT SIGNAL CIRCUIT

1. Check the continuity between EVAP control system pressure sensor harness connector and ECM harness connector.

EVAP control system pressure sensor		ECM		Continuity
Connector	Terminal	Connector	Terminal	
B41	2	E10	121	Existed

2. Also check harness for short to ground and short to power.

Is the inspection result normal?

YES >> GO TO 6.

NO >> Repair open circuit, short to ground or short to power in harness or connectors.

6. CHECK EVAP CONTROL SYSTEM PRESSURE SENSOR

Check EVAP control system pressure sensor. Refer to [EC-369, "Component Inspection"](#).

Is the inspection result normal?

YES >> INSPECTION END

NO >> Replace EVAP control system pressure sensor. Refer to [FL-19, "Removal and Installation"](#).

Component Inspection

INFOID:000000011939860

1. CHECK EVAP CONTROL SYSTEM PRESSURE SENSOR

1. Turn ignition switch OFF.

2. Remove EVAP control system pressure sensor with its harness connector. Refer to [FL-19, "Removal and Installation"](#).

Always replace O-ring with a new one.

3. Install a vacuum pump to EVAP control system pressure sensor.

4. Turn ignition switch ON and check output voltage between ECM terminals under the following conditions.

Connector	ECM		Applied vacuum kPa (bar, kg/cm ² , psi)	Voltage
	+	-		
	Terminal	Terminal		
E10	121	148	Not applied	1.8 - 4.8 V
			-26.7 (-0.267, -0.272, -3.87)	2.1 to 2.5 V lower than above value

CAUTION:

- Always calibrate the vacuum pump gauge when using it.
- Never apply below -93.3 kPa (-0.933 bar, -0.952 kg/cm², -13.53 psi) or pressure over 101.3 kPa (1.013 bar, 1.033 kg/cm², 14.69 psi).

Is the inspection result normal?

YES >> INSPECTION END

NO >> Replace EVAP control system pressure sensor. Refer to [FL-19, "Removal and Installation"](#).

P0453 EVAP CONTROL SYSTEM PRESSURE SENSOR

< DTC/CIRCUIT DIAGNOSIS >

[VQ35DE]

P0453 EVAP CONTROL SYSTEM PRESSURE SENSOR

DTC Description

INFOID:000000011939861

DTC DETECTION LOGIC

An excessively high voltage from the sensor is sent to ECM.

DTC	CONSULT screen terms (Trouble diagnosis content)	DTC detection condition	
P0453	EVAP SYS PRES SEN (Evaporative emission system pressure sensor/switch high)	Diagnosis condition	—
		Signal (terminal)	Voltage signal transmitted from EVAP control system pressure sensor to ECM
		Threshold	An excessively high voltage from the sensor is sent to ECM
		Diagnosis delay time	—

POSSIBLE CAUSE

- Harness or connectors
(EVAP control system pressure sensor circuit is open or shorted.)
- EVAP control system pressure sensor
- EVAP canister vent control valve
- EVAP canister
- Rubber hose from EVAP canister vent control valve to vehicle frame

FAIL-SAFE

Not applicable

DTC CONFIRMATION PROCEDURE

1. PRECONDITIONING

If DTC Confirmation Procedure has been previously conducted, always perform the following before conducting the next test.

1. Turn ignition switch OFF and wait at least 10 seconds.
2. Turn ignition switch ON.
3. Turn ignition switch OFF and wait at least 10 seconds.

TESTING CONDITION:

Always perform test at a temperature of 5°C (41°F) or more.

>> GO TO 2.

2. PERFORM DTC CONFIRMATION PROCEDURE

With CONSULT

1. Start engine and warm it up to normal operating temperature.
2. Turn ignition switch OFF and wait at least 10 seconds.
3. Turn ignition switch ON.
4. Turn ignition switch OFF and wait at least 10 seconds.
5. Turn ignition switch ON.
6. Select "DATA MONITOR" mode with CONSULT.
7. Check that "FUEL T/TMP SE" is more than 0°C (32°F).
8. Start engine and wait at least 20 seconds.
9. Check 1st trip DTC.

With GST

1. Start engine and warm it up to normal operating temperature.
2. Set voltmeter probes to ECM harness connector terminals.

P0453 EVAP CONTROL SYSTEM PRESSURE SENSOR

< DTC/CIRCUIT DIAGNOSIS >

[VQ35DE]

ECM		
Connector	+	-
	Terminal	
E10	128	148

3. Check that the voltage is less than 4.2 V.
4. Turn ignition switch OFF and wait at least 10 seconds.
5. Turn ignition switch ON.
6. Turn ignition switch OFF and wait at least 10 seconds.
7. Start engine and wait at least 20 seconds.
8. Check 1st trip DTC.

Is 1st trip DTC detected?

- YES >> Proceed to [EC-371, "Diagnosis Procedure"](#).
- NO-1 >> To check malfunction symptom before repair: Refer to [GI-41, "Intermittent Incident"](#).
- NO-2 >> Confirmation after repair: INSPECTION END

Diagnosis Procedure

INFOID:000000011939862

1.CHECK CONNECTOR

1. Disconnect EVAP control system pressure sensor harness connector.
2. Check that water is not inside connectors.

Is the inspection result normal?

- YES >> GO TO 2.
- NO >> Repair or replace harness connector.

2.CHECK EVAP CONTROL SYSTEM PRESSURE SENSOR POWER SUPPLY

1. Turn ignition switch ON.
2. Check the voltage between EVAP control system pressure sensor harness connector and ground.

+		-	Voltage (V)
EVAP control system pressure sensor Connector	Terminal		
B41	3	Ground	Approx. 5

Is the inspection result normal?

- YES >> GO TO 4.
- NO >> GO TO 3.

3.CHECK EVAP CONTROL SYSTEM PRESSURE SENSOR POWER SUPPLY CIRCUIT

1. Turn ignition switch OFF.
2. Disconnect ECM harness connector.
3. Check the continuity between EVAP control system pressure sensor harness connector and ECM harness connector.

EVAP control system pressure sensor		ECM		Continuity
Connector	Terminal	Connector	Terminal	
B41	3	E10	125	Existed

Is the inspection result normal?

- YES >> INSPECTION END
- NO >> Repair open circuit.

4.CHECK EVAP CONTROL SYSTEM PRESSURE SENSOR GROUND CIRCUIT

1. Turn ignition switch OFF.
2. Disconnect ECM harness connector.

P0453 EVAP CONTROL SYSTEM PRESSURE SENSOR

[VQ35DE]

< DTC/CIRCUIT DIAGNOSIS >

3. Check the continuity between EVAP control system pressure sensor harness connector and ECM harness connector.

EVAP control system pressure sensor		ECM		Continuity
Connector	Terminal	Connector	Terminal	
B41	1	E10	148	Existed

4. Also check harness for short to ground and short to power.

Is the inspection result normal?

YES >> GO TO 5.

NO >> Repair open circuit, short to ground or short to power in harness or connectors.

5. CHECK EVAP CONTROL SYSTEM PRESSURE SENSOR INPUT SIGNAL CIRCUIT

1. Check the continuity between EVAP control system pressure sensor harness connector and ECM harness connector.

EVAP control system pressure sensor		ECM		Continuity
Connector	Terminal	Connector	Terminal	
B41	2	E10	121	Existed

2. Also check harness for short to ground and short to power.

Is the inspection result normal?

YES >> GO TO 6.

NO >> Repair open circuit, short to ground or short to power in harness or connectors.

6. CHECK RUBBER TUBE

1. Disconnect rubber tube connected to EVAP canister vent control valve.
2. Check the rubber tube for clogging.

Is the inspection result normal?

YES >> GO TO 7.

NO >> Clean the rubber tube using an air blower, repair or replace rubber tube.

7. CHECK EVAP CANISTER VENT CONTROL VALVE

Check EVAP canister vent control valve. Refer to [EC-373, "Component Inspection"](#).

Is the inspection result normal?

YES >> GO TO 8.

NO >> Replace EVAP canister vent control valve. Refer to [FL-18, "Removal and Installation"](#).

8. CHECK EVAP CONTROL SYSTEM PRESSURE SENSOR

Check EVAP control system pressure sensor. Refer to [EC-373, "Component Inspection"](#).

Is the inspection result normal?

YES >> GO TO 9.

NO >> Replace EVAP control system pressure sensor. Refer to [FL-19, "Removal and Installation"](#).

9. CHECK IF EVAP CANISTER IS SATURATED WITH WATER

1. Remove EVAP canister with EVAP canister vent control valve and EVAP control system pressure sensor attached. Refer to [FL-19, "Removal and Installation"](#).

P0453 EVAP CONTROL SYSTEM PRESSURE SENSOR

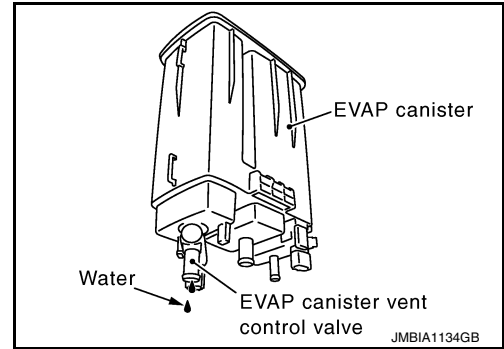
[VQ35DE]

< DTC/CIRCUIT DIAGNOSIS >

2. Check if water will drain from the EVAP canister.

Does water drain from the EVAP canister?

- YES >> GO TO 10.
- NO >> INSPECTION END



10. CHECK EVAP CANISTER

Weigh the EVAP canister with the EVAP canister vent control valve and EVAP control system pressure sensor attached.

The weight should be less than 2.1 kg (4.6 lb).

Is the inspection result normal?

- YES >> INSPECTION END
- NO >> GO TO 11.

11. DETECT MALFUNCTIONING PART

Check the following.

- EVAP canister for damage
- EVAP hose between EVAP canister and vehicle frame for clogging or poor connection

>> Repair hose or replace EVAP canister. Refer to [FL-15, "Removal and Installation"](#).

Component Inspection

INFOID:0000000011939863

1. CHECK EVAP CONTROL SYSTEM PRESSURE SENSOR

1. Turn ignition switch OFF.
2. Remove EVAP control system pressure sensor with its harness connector. Refer to [FL-19, "Removal and Installation"](#).
Always replace O-ring with a new one.
3. Install a vacuum pump to EVAP control system pressure sensor.
4. Turn ignition switch ON and check output voltage between ECM terminals under the following conditions.

Connector	ECM		Applied vacuum kPa (bar, kg/cm ² , psi)	Voltage
	+	-		
	Terminal	Terminal		
E10	121	148	Not applied	1.8 - 4.8 V
			-26.7 (-0.267, -0.272, -3.87)	2.1 to 2.5 V lower than above value

CAUTION:

- Always calibrate the vacuum pump gauge when using it.
- Never apply below -93.3 kPa (-0.933 bar, -0.952 kg/cm², -13.53 psi) or pressure over 101.3 kPa (1.013 bar, 1.033 kg/cm², 14.69 psi).

Is the inspection result normal?

- YES >> INSPECTION END
- NO >> Replace EVAP control system pressure sensor. Refer to [FL-19, "Removal and Installation"](#).

P0456 EVAP CONTROL SYSTEM

< DTC/CIRCUIT DIAGNOSIS >

[VQ35DE]

P0456 EVAP CONTROL SYSTEM

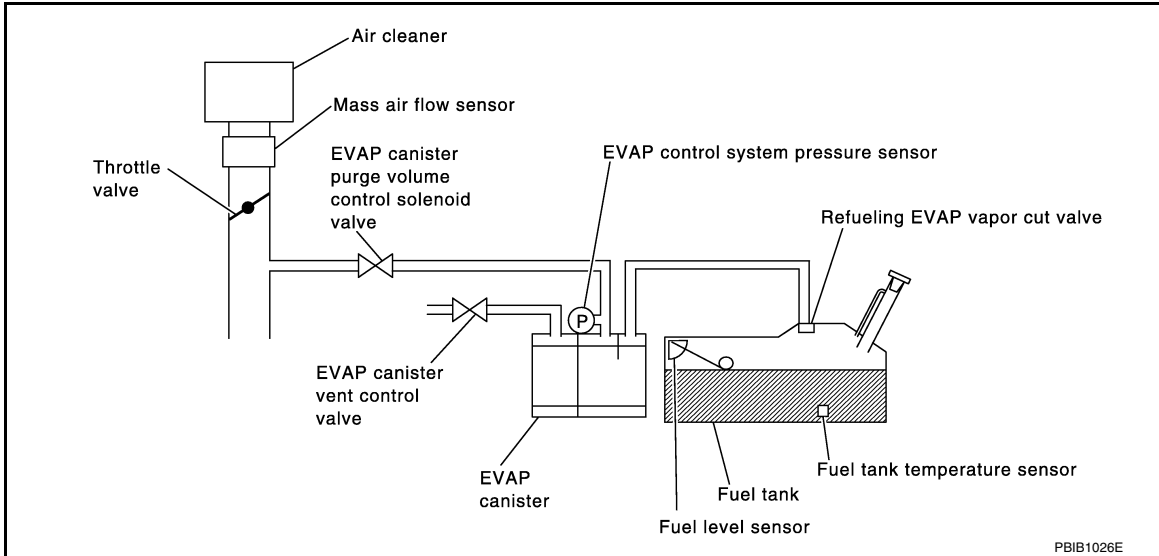
DTC Description

INFOID:000000011939864

DTC DETECTION LOGIC

This diagnosis detects leaks in the EVAP line between fuel tank and EVAP canister purge volume control solenoid valve, using the negative pressure caused by decrease of fuel temperature in the fuel tank after turning ignition switch OFF.

If ECM judges there are no leaks, the diagnosis will be OK.



1. EVAP system has a leak.
2. EVAP system does not operate properly.

DTC	CONSULT screen terms (Trouble diagnosis content)	DTC detection condition		
P0456	EVAP VERY SML LEAK [Evaporative emission system leak detected (very small leak)]	1	Diagnosis condition	—
			Signal (terminal)	—
			Threshold	EVAP system has a leak
			Diagnosis delay time	—
		2	Diagnosis condition	—
			Signal (terminal)	—
			Threshold	EVAP system does not operate properly
			Diagnosis delay time	—

CAUTION:

- Use only a genuine NISSAN fuel filler cap as a replacement. If an incorrect fuel filler cap is used, the MIL may come on.
- If the fuel filler cap is not tightened properly, the MIL may come on.
- Use only a genuine NISSAN rubber tube as a replacement.

POSSIBLE CAUSE

- Incorrect fuel tank vacuum relief valve
- Incorrect fuel filler cap used
- Fuel filler cap remains open or fails to close.
- Foreign matter caught in fuel filler cap.
- Leak is in line between intake manifold and EVAP canister purge volume control solenoid valve.
- Foreign matter caught in EVAP canister vent control valve.
- EVAP canister or fuel tank leaks
- EVAP purge line (pipe and rubber tube) leaks
- EVAP purge line rubber tube bent
- Loose or disconnected rubber tube

P0456 EVAP CONTROL SYSTEM

[VQ35DE]

< DTC/CIRCUIT DIAGNOSIS >

- EVAP canister vent control valve and the circuit
- EVAP canister purge volume control solenoid valve and the circuit
- Fuel tank temperature sensor
- O-ring of EVAP canister vent control valve is missing or damaged
- EVAP canister is saturated with water
- EVAP control system pressure sensor
- Refueling EVAP vapor cut valve
- ORVR system leaks
- Fuel level sensor and the circuit
- Foreign matter caught in EVAP canister purge volume control solenoid valve

FAIL-SAFE

Not applicable

DTC CONFIRMATION PROCEDURE

1. PRECONDITIONING

If DTC Confirmation Procedure has been previously conducted, always perform the following before conducting the next test.

1. Turn ignition switch OFF and wait at least 10 seconds.
2. Turn ignition switch ON.
3. Turn ignition switch OFF and wait at least 10 seconds.

Do you have CONSULT?

YES >> GO TO 2.

NO >> GO TO 4.

2. PERFORM DTC CONFIRMATION PROCEDURE-I

With CONSULT

1. Turn ignition switch ON and select "EVAP DIAG READY" in "DATA MONITOR" mode with CONSULT.
2. Start engine and wait at idle until "OFF" of "EVAP DIAG READY" changes to "ON".

NOTE:

It will take at most 2 hours until "OFF" of "EVAP DIAG READY" changes to "ON".

3. Turn ignition switch OFF and wait at least 90 minutes.

NOTE:

Never turn ignition switch ON during 90 minutes.

4. Turn ignition switch ON and select "EVAP LEAK DIAG" in "DATA MONITOR" mode with CONSULT.
5. Check that "EVAP LEAK DIAG" indication.

Which is displayed on CONSULT?

CMPLT >> GO TO 3.

YET >> Perform DTC CONFIRMATION PROCEDURE again. GO TO 1.

3. PERFORM DTC CONFIRMATION PROCEDURE-II

Check 1st trip DTC.

Is 1st trip DTC detected?

YES >> Go to [EC-376, "Diagnosis Procedure"](#).

NO-1 >> To check malfunction symptom before repair: Refer to [GI-41, "Intermittent Incident"](#).

NO-2 >> Confirmation after repair: INSPECTION END

4. PERFORM DTC CONFIRMATION PROCEDURE

With GST

1. Start engine and wait engine idle for at least 2 hours.
2. Turn ignition switch OFF and wait at least 90 minutes.

NOTE:

Never turn ignition switch ON during 90 minutes.

3. Turn ignition switch ON.
4. Check 1st trip DTC.

Is 1st trip DTC detected?

YES >> Go to [EC-376, "Diagnosis Procedure"](#).

NO-1 >> To check malfunction symptom before repair: Refer to [GI-41, "Intermittent Incident"](#).

NO-2 >> Confirmation after repair: INSPECTION END

P0456 EVAP CONTROL SYSTEM

< DTC/CIRCUIT DIAGNOSIS >

[VQ35DE]

Diagnosis Procedure

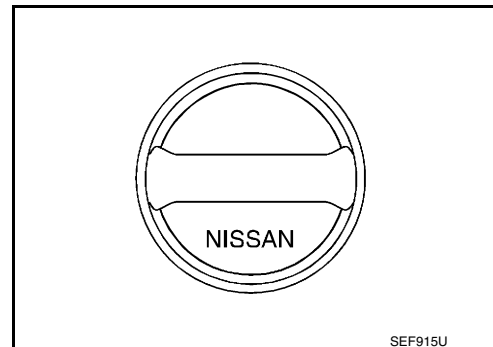
INFOID:000000011939865

1. CHECK FUEL FILLER CAP DESIGN

1. Turn ignition switch OFF.
2. Check for genuine NISSAN fuel filler cap design.

Is the inspection result normal?

- YES >> GO TO 2.
NO >> Replace with genuine NISSAN fuel filler cap.



2. CHECK FUEL FILLER CAP INSTALLATION

Check that the cap is tightened properly by rotating the cap clockwise.

Is the inspection result normal?

- YES >> GO TO 3.
NO >> Open fuel filler cap, then clean cap and fuel filler neck threads using air blower. Then retighten until ratcheting sound is heard.

3. CHECK FUEL FILLER CAP FUNCTION

Check for air releasing sound while opening the fuel filler cap.

Is the inspection result normal?

- YES >> GO TO 5.
NO >> GO TO 4.

4. CHECK FUEL TANK VACUUM RELIEF VALVE

Refer to [EC-379, "Component Inspection"](#).

Is the inspection result normal?

- YES >> GO TO 5.
NO >> Replace fuel filler cap with a genuine one.

5. CHECK FOR EVAP LEAK

Refer to [EC-583, "Work Procedure"](#).

Is there any leak in EVAP line?

- YES >> Repair or replace.
NO >> GO TO 6.

6. CHECK EVAP CANISTER VENT CONTROL VALVE

Check the following.

- EVAP canister vent control valve is installed properly.
Refer to [FL-18, "Removal and Installation"](#).
- EVAP canister vent control valve.
Refer to [EC-356, "Component Inspection"](#).

Is the inspection result normal?

- YES >> GO TO 7.
NO >> Repair or replace EVAP canister vent control valve and O-ring.

7. CHECK IF EVAP CANISTER SATURATED WITH WATER

P0456 EVAP CONTROL SYSTEM

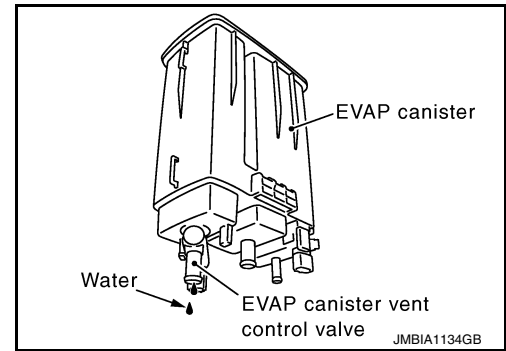
[VQ35DE]

< DTC/CIRCUIT DIAGNOSIS >

1. Remove EVAP canister with EVAP canister vent control valve and EVAP control system pressure sensor attached.
2. Check if water will drain from the EVAP canister.

Does water drain from EVAP canister?

- YES >> GO TO 8.
NO-1 >> With CONSULT: GO TO 10.
NO-2 >> Without CONSULT: GO TO 11.



8. CHECK EVAP CANISTER

Weigh the EVAP canister assembly with the EVAP canister vent control valve and EVAP control system pressure sensor attached.

The weight should be less than 2.1 kg (4.6 lb).

Is the inspection result normal?

- YES-1 >> With CONSULT: GO TO 10.
YES-2 >> Without CONSULT: GO TO 11.
NO >> GO TO 9.

9. DETECT MALFUNCTIONING PART

Check the following.

- EVAP canister for damage
- EVAP hose between EVAP canister and vehicle frame for clogging or poor connection

>> Repair hose or replace EVAP canister.

10. CHECK EVAP CANISTER PURGE VOLUME CONTROL SOLENOID VALVE OPERATION

With CONSULT

1. Disconnect vacuum hose to EVAP canister purge volume control solenoid valve at EVAP service port.
2. Start engine and let it idle.
3. Select "PURG VOL CONT/V" in "ACTIVE TEST" mode.
4. Touch "Qu" on CONSULT screen to increase "PURG VOL CONT/V" opening to 100%.
5. Check vacuum hose for vacuum.

Vacuum should exist.

Is the inspection result normal?

- YES >> GO TO 13.
NO >> GO TO 12.

11. CHECK EVAP CANISTER PURGE VOLUME CONTROL SOLENOID VALVE OPERATION

Without CONSULT

1. Start engine and warm it up to normal operating temperature.
2. Stop engine.
3. Disconnect vacuum hose to EVAP canister purge volume control solenoid valve at EVAP service port.
4. Start engine and let it idle for at least 80 seconds.
5. Check vacuum hose for vacuum when revving engine up to 2,000 rpm.

Vacuum should exist.

Is the inspection result normal?

- YES >> GO TO 13.
NO >> GO TO 12.

12. CHECK VACUUM HOSE

Check vacuum hoses for clogging or disconnection. Refer to [EC-46. "EVAPORATIVE EMISSION SYSTEM: System Description"](#).

P0456 EVAP CONTROL SYSTEM

[VQ35DE]

< DTC/CIRCUIT DIAGNOSIS >

Is the inspection result normal?

- YES >> GO TO 13.
- NO >> Repair or reconnect the hose.

13.CHECK EVAP CANISTER PURGE VOLUME CONTROL SOLENOID VALVE

Refer to [EC-351, "Component Inspection"](#).

Is the inspection result normal?

- YES >> GO TO 14.
- NO >> Replace EVAP canister purge volume control solenoid valve.

14.CHECK FUEL TANK TEMPERATURE SENSOR

Refer to [EC-302, "Component Inspection"](#).

Is the inspection result normal?

- YES >> GO TO 15.
- NO >> Replace fuel level sensor unit.

15.CHECK EVAP CONTROL SYSTEM PRESSURE SENSOR

Refer to [EC-365, "Component Inspection"](#).

Is the inspection result normal?

- YES >> GO TO 16.
- NO >> Replace EVAP control system pressure sensor.

16.CHECK EVAP PURGE LINE

Check EVAP purge line (pipe, rubber tube, fuel tank and EVAP canister) for cracks or improper connection. Refer to [EC-46, "EVAPORATIVE EMISSION SYSTEM : System Description"](#).

Is the inspection result normal?

- YES >> GO TO 17.
- NO >> Repair or reconnect the hose.

17.CLEAN EVAP PURGE LINE

Clean EVAP purge line (pipe and rubber tube) using air blower.

>> GO TO 18.

18.CHECK EVAP/ORVR LINE

Check EVAP/ORVR line between EVAP canister and fuel tank for clogging, kink, looseness and improper connection. For location, refer to [EC-32, "On Board Refueling Vapor Recovery \(ORVR\)"](#).

Is the inspection result normal?

- YES >> GO TO 19.
- NO >> Repair or replace hoses and tubes.

19.CHECK RECIRCULATION LINE

Check recirculation line between fuel filler tube and fuel tank for clogging, kink, cracks, looseness and improper connection.

Is the inspection result normal?

- YES >> GO TO 20.
- NO >> Repair or replace hose, tube or fuel filler tube.

20.CHECK REFUELING EVAP VAPOR CUT VALVE

Refer to [EC-564, "Component Inspection"](#).

Is the inspection result normal?

- YES >> GO TO 21.
- NO >> Replace refueling EVAP vapor cut valve with fuel tank.

21.CHECK FUEL LEVEL SENSOR

Refer to [MWI-55, "Component Inspection"](#).

Is the inspection result normal?

P0456 EVAP CONTROL SYSTEM

[VQ35DE]

< DTC/CIRCUIT DIAGNOSIS >

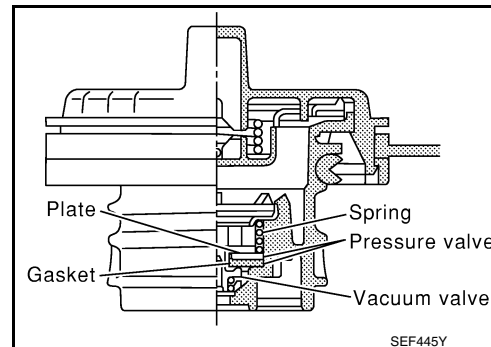
- YES >> INSPECTION END
- NO >> Replace fuel level sensor unit.

Component Inspection

INFOID:000000011939866

1. CHECK FUEL FILLER CAP

1. Turn ignition switch OFF.
2. Remove fuel filler cap. Refer to [FL-10, "Exploded View"](#).
3. Wipe clean valve housing.



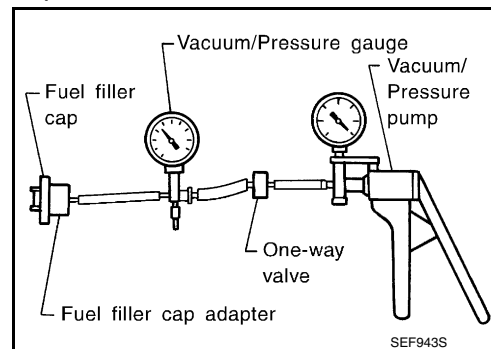
4. Install fuel filler cap adapter (commercial service tool) to fuel filler cap.
5. Check valve opening pressure and vacuum.

Pressure: 15.3 – 20.0 kPa (0.153 – 0.2 bar, 0.156 – 0.204 kg/cm², 2.22 - 2.90 psi)

Vacuum: –6.0 to –3.3 kPa (-0.06 to -0.033 bar, -0.061 to – 0.034 kg/cm², –0.87 to –0.48 psi)

Is the inspection result normal?

- YES >> INSPECTION END
- NO >> GO TO 2.



2. REPLACE FUEL FILLER CAP

Replace fuel filler cap. Refer to [FL-10, "Exploded View"](#).

CAUTION:

Use only a genuine fuel filler cap as a replacement. If an incorrect fuel filler cap is used, the MIL may illuminate.

>> INSPECTION END

P0460 FUEL LEVEL SENSOR

< DTC/CIRCUIT DIAGNOSIS >

[VQ35DE]

P0460 FUEL LEVEL SENSOR

DTC Description

INFOID:000000011939867

DTC DETECTION LOGIC

When the vehicle is parked, the fuel level in the fuel tank is naturally stable. It means that output signal of the fuel level sensor does not change. If ECM senses sloshing signal from the sensor, fuel level sensor malfunction is detected.

Even though the vehicle is parked, a signal being varied is sent from the fuel level sensor to ECM.

DTC	CONSULT screen terms (Trouble diagnosis content)	DTC detection condition	
		Diagnosis condition	Start engine and let it idle
P0460	FUEL LEV SEN SLOSH (Fuel level sensor "A" circuit)	Signal (terminal)	Voltage signal transmitted from Fuel level sensor to ECM
		Threshold	Even though the vehicle is parked, a signal being varied is sent from the fuel level sensor to ECM
		Diagnosis delay time	—

POSSIBLE CAUSE

- Harness or connectors
(The CAN communication line is open or shorted)
- Harness or connectors
(The sensor circuit is open or shorted)
- Combination meter
- Fuel level sensor

FAIL-SAFE

Not applicable

DTC CONFIRMATION PROCEDURE

1. CHECK DTC PRIORITY

If DTC P0460 is displayed with DTC UXXXX or P0607, first perform the confirmation procedure for DTC UXXXX or P0607.

Is applicable DTC detected?

- YES >> Perform diagnosis of applicable.
- DTC UXXXX: Refer to [EC-107, "DTC Index"](#).
 - DTC P0607: Refer to [EC-419, "DTC Description"](#).
- NO >> GO TO 2.

2. PRECONDITIONING

If DTC Confirmation Procedure has been previously conducted, always perform the following before conducting the next test.

1. Turn ignition switch OFF and wait at least 10 seconds.
2. Turn ignition switch ON.
3. Turn ignition switch OFF and wait at least 10 seconds.

>> GO TO 3.

3. PERFORM DTC CONFIRMATION PROCEDURE

1. Start engine and wait maximum of 2 consecutive minutes.
2. Check 1st trip DTC.

Is 1st trip DTC detected?

- YES >> Proceed to [EC-381, "Diagnosis Procedure"](#).
- NO-1 >> To check malfunction symptom before repair: Refer to [GI-41, "Intermittent Incident"](#).
- NO-2 >> Confirmation after repair: INSPECTION END

P0460 FUEL LEVEL SENSOR

< DTC/CIRCUIT DIAGNOSIS >

[VQ35DE]

Diagnosis Procedure

INFOID:0000000011939868

1. CHECK DTC PRIORITY

If DTC P0460 is displayed with DTC UXXXX or P0607, first perform the confirmation procedure for DTC UXXXX or P0607.

Is applicable DTC detected?

- YES >> Perform diagnosis of applicable.
- DTC UXXXX: Refer to [EC-107, "DTC Index"](#).
 - DTC P0607: Refer to [EC-419, "DTC Description"](#).
- NO >> GO TO 2.

2. CHECK COMBINATION METER FUNCTION

Check combination meter function. Refer to [MWI-20, "CONSULT Function \(METER/M&A\)"](#).

Is the inspection result normal?

- YES >> INSPECTION END
- NO >> Proceed to [MWI-59, "Diagnosis Procedure"](#).

A
EC
C
D
E
F
G
H
I
J
K
L
M
N
O
P

P0461 FUEL LEVEL SENSOR

< DTC/CIRCUIT DIAGNOSIS >

[VQ35DE]

P0461 FUEL LEVEL SENSOR

DTC Description

INFOID:000000011939869

DTC DETECTION LOGIC

Driving long distances naturally affect fuel gauge level.

This diagnosis detects the fuel gauge malfunction of the gauge not moving even after a long distance has been driven.

The output signal of the fuel level sensor does not change within the specified range even though the vehicle has been driven a long distance.

DTC	CONSULT screen terms (Trouble diagnosis content)	DTC detection condition	
		Diagnosis condition	
P0461	FUEL LEVEL SENSOR (Fuel level sensor "A" circuit range/performance)	Signal (terminal)	Voltage signal transmitted from fuel level sensor to ECM
		Threshold	The output signal of the fuel level sensor does not change within the specified range even though the vehicle has been driven a long distance
		Diagnosis delay time	—
		Diagnosis condition	—

POSSIBLE CAUSE

- Harness or connectors
(The CAN communication line is open or shorted)
- Harness or connectors
(The sensor circuit is open or shorted)
- Combination meter
- Fuel level sensor

FAIL-SAFE

Not applicable

DTC CONFIRMATION PROCEDURE

1. CHECK DTC PRIORITY

If DTC P0461 is displayed with DTC UXXXX or P0607, first perform the confirmation procedure for DTC UXXXX or P0607.

Is applicable DTC detected?

- YES >> Perform diagnosis of applicable.
- DTC UXXXX: Refer to [EC-107, "DTC Index"](#).
 - DTC P0607: Refer to [EC-419, "DTC Description"](#).

NO >> GO TO 2.

2. PRECONDITIONING

WARNING:

When performing the following procedure, always observe the handling of the fuel. Refer to [FL-2, "General Precaution"](#).

TESTING CONDITION:

Before starting component function check, preparation of draining fuel and refilling fuel is required.

Will CONSULT be used?

- YES >> GO TO 3.
NO >> GO TO 4.

3. PERFORM COMPONENT FUNCTION CHECK

 With CONSULT

NOTE:

P0461 FUEL LEVEL SENSOR

[VQ35DE]

< DTC/CIRCUIT DIAGNOSIS >

Start from step 10, if it is possible to confirm that the fuel cannot be drained by 30 ℓ (7-7/8 US gal, 6-5/8 Imp gal) in advance.

1. Prepare a fuel container and a spare hose.
2. Release fuel pressure from fuel line, refer to [EC-583, "Work Procedure"](#).
3. Remove the fuel feed hose on the fuel level sensor unit.
4. Connect a spare fuel hose where the fuel feed hose was removed.
5. Turn ignition switch OFF and wait at least 10 seconds then turn ON.
6. Select "FUEL LEVEL SE" in "DATA MONITOR" mode with CONSULT.
7. Check "FUEL LEVEL SE" output voltage and note it.
8. Select "FUEL PUMP RELAY" in "ACTIVE TEST" mode with CONSULT.
9. Touch "ON" and drain fuel approximately 30 ℓ (7-7/8 US gal, 6-5/8 Imp gal) and stop it.
10. Check "FUEL LEVEL SE" output voltage and note it.
11. Fill fuel into the fuel tank for 30 ℓ (7-7/8 US gal, 6-5/8 Imp gal).
12. Check "FUEL LEVEL SE" output voltage and note it.
13. Confirm whether the voltage changes more than 0.03 V during step 7 to 10 and 10 to 12.

Is the inspection result normal?

YES-1 >> To check malfunction symptom before repair: Refer to [GI-41, "Intermittent Incident"](#).

YES-2 >> Confirmation after repair: INSPECTION END

NO >> Proceed to [EC-383, "Diagnosis Procedure"](#).

4.PERFORM COMPONENT FUNCTION CHECK

Without CONSULT

NOTE:

Start from step 8, if it is possible to confirm that the fuel cannot be drained by 30 ℓ (7-7/8 US gal, 6-5/8 Imp gal) in advance.

1. Prepare a fuel container and a spare hose.
2. Release fuel pressure from fuel line. Refer to [EC-168, "Work Procedure"](#).
3. Remove the fuel feed hose on the fuel level sensor unit. Refer to [FL-5, "Removal and Installation"](#).
4. Connect a spare fuel hose where the fuel feed hose was removed.
5. Turn ignition switch ON.
6. Drain fuel by 30 ℓ (7-7/8 US gal, 6-5/8 Imp gal) from the fuel tank using proper equipment.
7. Confirm that the fuel gauge indication varies.
8. Fill fuel into the fuel tank for 30 ℓ (7-7/8 US gal, 6-5/8 Imp gal).
9. Confirm that the fuel gauge indication varies.

Is the inspection result normal?

YES-1 >> To check malfunction symptom before repair: Refer to [GI-41, "Intermittent Incident"](#).

YES-2 >> Confirmation after repair: INSPECTION END

NO >> Proceed to [EC-383, "Diagnosis Procedure"](#).

Diagnosis Procedure

INFOID:0000000011939870

1.CHECK DTC PRIORITY

If DTC P0461 is displayed with DTC UXXXX or P0607, first perform the confirmation procedure for DTC UXXXX or P0607.

Is applicable DTC detected?

YES >> Perform diagnosis of applicable.

• DTC UXXXX: Refer to [EC-107, "DTC Index"](#).

• DTC P0607: Refer to [EC-419, "DTC Description"](#).

NO >> GO TO 2.

2.CHECK COMBINATION METER FUNCTION

Check combination meter function. Refer to [MWI-20, "CONSULT Function \(METER/M&A\)"](#).

Is the inspection result normal?

YES >> INSPECTION END

NO >> Proceed to [MWI-59, "Diagnosis Procedure"](#).

P0462, P0463 FUEL LEVEL SENSOR

< DTC/CIRCUIT DIAGNOSIS >

[VQ35DE]

P0462, P0463 FUEL LEVEL SENSOR

DTC Description

INFOID:000000011939871

DTC DETECTION LOGIC

- An excessively low voltage from the sensor is sent to ECM.
- An excessively high voltage from the sensor is sent to ECM.

DTC	CONSULT screen terms (Trouble diagnosis content)	DTC detection condition	
P0462	FUEL LEVEL SEN/CIRC (Fuel level sensor "A" circuit low)	Diagnosis condition	Ignition switch ON
		Signal (terminal)	Voltage signal transmitted from fuel level sensor to ECM
		Threshold	An excessively low voltage from the sensor is sent to ECM
		Diagnosis delay time	—
P0463	FUEL LEVEL SEN/CIRC (Fuel level sensor "A" circuit high)	Diagnosis condition	Ignition switch ON
		Signal (terminal)	Voltage signal transmitted from fuel level sensor to ECM
		Threshold	An excessively high voltage from the sensor is sent to ECM
		Diagnosis delay time	—

POSSIBLE CAUSE

DTC P0462

- Harness or connectors
(The CAN communication line is open or shorted)
- Harness or connectors
(The sensor circuit is open or shorted)
- Combination meter
- Fuel level sensor

DTC P0463

- Harness or connectors
(The CAN communication line is open or shorted)
- Harness or connectors
(The sensor circuit is open or shorted)
- Combination meter
- Fuel level sensor

FAIL-SAFE

Not applicable

DTC CONFIRMATION PROCEDURE

1. CHECK DTC PRIORITY

If DTC P0462 or P0463 is displayed with DTC UXXXX or P0607, first perform the confirmation procedure for DTC UXXXX or P0607.

Is applicable DTC detected?

- YES >> Perform diagnosis of applicable.
- DTC UXXXX: Refer to [EC-107, "DTC Index"](#).
 - DTC P0607: Refer to [EC-419, "DTC Description"](#).
- NO >> GO TO 2.

2. PRECONDITIONING

If DTC Confirmation Procedure has been previously conducted, always perform the following before conducting the next test.

1. Turn ignition switch OFF and wait at least 10 seconds.

P0462, P0463 FUEL LEVEL SENSOR

[VQ35DE]

< DTC/CIRCUIT DIAGNOSIS >

2. Turn ignition switch ON.
3. Turn ignition switch OFF and wait at least 10 seconds.

TESTING CONDITION:

Before performing the following procedure, confirm that battery voltage is more than 11 V at ignition switch ON.

>> GO TO 3.

3.PERFORM DTC CONFIRMATION PROCEDURE

1. Turn ignition switch ON and wait at least 5 seconds.
2. Check 1st trip DTC.

Is 1st trip DTC detected?

- YES >> Proceed to [EC-385, "Diagnosis Procedure"](#).
- NO-1 >> To check malfunction symptom before repair: Refer to [GI-41, "Intermittent Incident"](#).
- NO-2 >> Confirmation after repair: INSPECTION END

Diagnosis Procedure

INFOID:000000011939872

1.CHECK DTC PRIORITY

If DTC P0462 or P0463 is displayed with DTC UXXXX or P0607, first perform the confirmation procedure for DTC UXXXX or P0607.

Is applicable DTC detected?

- YES >> Perform diagnosis of applicable.
- DTC UXXXX: Refer to [EC-107, "DTC Index"](#).
 - DTC P0607: Refer to [EC-419, "DTC Description"](#).
- NO >> GO TO 2.

2.CHECK COMBINATION METER FUNCTION

Check combination meter function. Refer to [MWI-20, "CONSULT Function \(METER/M&A\)"](#).

Is the inspection result normal?

- YES >> INSPECTION END
- NO >> Proceed to [MWI-59, "Diagnosis Procedure"](#).

P0500 VSS

Description

INFOID:000000011939873

ECM receives vehicle speed signals from two different paths via CAN communication line: One is from the ABS actuator and electric unit (control unit) via the combination unit and the other is from TCM.

DTC Description

INFOID:000000011939874

DTC DETECTION LOGIC

At 20 km/h (13 MPH), ECM detects the following status continuously for 5 seconds or more: The difference between a vehicle speed calculated by a output speed sensor transmitted from TCM to ECM via CAN communication and the vehicle speed indicated on the combination meter exceeds 15 km/h (10 MPH).

DTC	CONSULT screen terms (Trouble diagnosis content)	DTC detection condition	
P0500	VEH SPEED SEN/CIRC (Vehicle speed sensor "A")	Diagnosis condition	Start engine and shift the selector lever to D range and drive the vehicle at least 5 seconds at 20 km/h (13 MPH) or more
		Signal (terminal)	—
		Threshold	At 20 km/h (13 MPH), ECM detects the following status continuously for 5 seconds or more: The difference between a vehicle speed calculated by a output speed sensor transmitted from TCM to ECM via CAN communication and the vehicle speed indicated on the combination meter exceeds 15 km/h (10 MPH)
		Diagnosis delay time	—

POSSIBLE CAUSE

- Harness or connector
(The CAN communication line is open or shorted.)
- Combination meter
- ABS actuator and electric unit (control unit)
- Wheel sensor
- TCM
- Output speed sensor

FAIL-SAFE

Engine operating condition in fail-safe mode	
Fail safe mode	Vehicle behavior
Vehicle speed sensor	The cooling fan operates (Highest) while engine is running.

DTC CONFIRMATION PROCEDURE

1.CHECK DTC PRIORITY

If DTC P0500 is displayed with DTC UXXXX or P0607, first perform the confirmation procedure for DTC UXXXX or P0607.

Is applicable DTC detected?

- YES >> Perform diagnosis of applicable.
- DTC UXXXX: Refer to [EC-107, "DTC Index"](#).
 - DTC P0607: Refer to [EC-419, "DTC Description"](#).
- NO >> GO TO 2.

2.PRECONDITIONING

If DTC CONFIRMATION PROCEDURE has been previously conducted, always perform the following procedure before conducting the next test.

< DTC/CIRCUIT DIAGNOSIS >

1. Turn ignition switch OFF and wait at least 10 seconds.
2. Turn ignition switch ON.
3. Turn ignition switch OFF and wait at least 10 seconds.

TESTING CONDITION:

Before performing the following procedure, confirm that battery voltage is 10 V or more at idle.

>> GO TO 3.

3.PERFORM DTC CONFIRMATION PROCEDURE

1. Start engine.
2. Shift the selector lever to D range and wait at least for 2 seconds.
3. Drive the vehicle at least 5 seconds at 20 km/h (13 MPH) or more.

CAUTION:

Always drive vehicle at a safe speed.

NOTE:

This procedure may be conducted with the drive wheels lifted in the shop or by driving the vehicle. If a road test is expected to be easier, it is unnecessary to lift the vehicle.

4. Check 1st trip DTC.

Is 1st trip DTC detected?

YES >> Proceed to [EC-387, "Diagnosis Procedure"](#)

NO-1 >> To check malfunction symptom before repair: Refer to [GI-41, "Intermittent Incident"](#).

NO-2 >> Confirmation after repair: INSPECTION END

Diagnosis Procedure

INFOID:000000011939875

1.CHECK DTC PRIORITY

If DTC P0500 is displayed with DTC UXXXX or P0607, first perform the confirmation procedure for DTC UXXXX or P0607.

Is applicable DTC detected?

YES >> Perform diagnosis of applicable.

- DTC UXXXX: Refer to [EC-107, "DTC Index"](#).

- DTC P0607: Refer to [EC-419, "DTC Description"](#).

NO >> GO TO 2.

2.CHECK DTC WITH TCM

Check DTC with TCM. Refer to [TM-42, "CONSULT Function"](#).

Is the inspection result normal?

YES >> GO TO 3.

NO >> Perform trouble shooting relevant to DTC indicated.

3.CHECK DTC WITH ABS ACTUATOR AND ELECTRIC UNIT (CONTROL UNIT)

Check DTC with ABS actuator and electric unit (control unit). Refer to [BRC-41, "CONSULT Function"](#) (without ICC), [BRC-212, "CONSULT Function"](#) (with ICC).

Is the inspection result normal?

YES >> GO TO 4.

NO >> Perform trouble shooting relevant to DTC indicated.

4.CHECK DTC WITH COMBINATION METER

Check DTC with combination meter. Refer to [MWI-20, "CONSULT Function \(METER/M&A\)"](#).

Is the inspection result normal?

YES >> GO TO 5.

NO >> Perform trouble shooting relevant to DTC indicated.

5.CHECK OUTPUT SPEED SENSOR

Check output speed sensor. Refer to [TM-165, "Diagnosis Procedure"](#).

Is the inspection result normal?

YES >> GO TO 6.

P0500 VSS

[VQ35DE]

< DTC/CIRCUIT DIAGNOSIS >

NO >> Replace or replace error-detected parts.

6. CHECK WHEEL SENSOR

Check wheel sensor. Refer to [BRC-71, "Diagnosis Procedure"](#), [BRC-76, "Diagnosis Procedure"](#).

Is the inspection result normal?

YES >> INSPECTION END

NO >> Replace or replace error-detected parts.

P0506 ISC SYSTEM

Description

INFOID:0000000011939876

The ECM controls the engine idle speed to a specified level through the fine adjustment of the air, which is let into the intake manifold, by operating the electric throttle control actuator. The operating of the throttle valve is varied to allow for optimum control of the engine idling speed. The crankshaft position sensor (POS) detects the actual engine speed and sends a signal to the ECM.

The ECM controls the electric throttle control actuator so that the engine speed coincides with the target value memorized in the ECM. The target engine speed is the lowest speed at which the engine can operate steadily. The optimum value stored in the ECM is determined by taking into consideration various engine conditions, such as during warming up, deceleration and engine load (air conditioner, power steering and cooling fan operation, etc.).

DTC Description

INFOID:0000000011939877

DTC DETECTION LOGIC

The idle speed is less than the target idle speed by 100 rpm or more.

DTC	CONSULT screen terms (Trouble diagnosis content)	DTC detection condition	
		Diagnosis condition	Signal (terminal)
P0506	ISC SYSTEM (Idle air control system RPM lower than expected)	Start engine and let it idle	—
		—	The idle speed is less than the target idle speed by 100 rpm or more
		Threshold	—
		Diagnosis delay time	—

POSSIBLE CAUSE

- Electric throttle control actuator
- Intake air leakage

FAIL-SAFE

Not applicable

DTC CONFIRMATION PROCEDURE

1. CHECK DTC PRIORITY

If DTC P0506 is displayed with other DTC, first perform the trouble diagnosis for the other DTC.

Is applicable DTC detected?

- YES >> Perform diagnosis of applicable. Refer to [EC-107. "DTC Index"](#).
- NO >> GO TO 2.

2. PRECONDITIONING

If DTC Confirmation Procedure has been previously conducted, always perform the following before conducting the next test.

1. Turn ignition switch OFF and wait at least 10 seconds.
2. Turn ignition switch ON.
3. Turn ignition switch OFF and wait at least 10 seconds.

If the target idle speed is out of the specified value, perform Idle Air Volume Learning (Refer to [EC-160. "Description"](#)), before conducting DTC CONFIRMATION PROCEDURE.

TESTING CONDITION:

- Before performing the following procedure, confirm that battery voltage is more than 11 V at idle.
- Always perform the test at a temperature above -10°C(14°F).

>> GO TO 3.

3. PERFORM DTC CONFIRMATION PROCEDURE

1. Start engine and warm it up to normal operating temperature.
2. Turn ignition switch OFF and wait at least 10 seconds.

P0506 ISC SYSTEM

[VQ35DE]

< DTC/CIRCUIT DIAGNOSIS >

3. Turn ignition switch ON.
4. Turn ignition switch OFF and wait at least 10 seconds.
5. Restart engine and run it for at least 1 minute at idle speed.
6. Check 1st trip DTC.

Is 1st trip DTC detected?

- YES >> Proceed to [EC-390. "Diagnosis Procedure"](#)
NO-1 >> To check malfunction symptom before repair: Refer to [GI-41. "Intermittent Incident"](#).
NO-2 >> Confirmation after repair: INSPECTION END

Diagnosis Procedure

INFOID:000000011939878

1. CHECK DTC PRIORITY

If DTC P0506 is displayed with other DTC, first perform the trouble diagnosis for the other DTC.

Is applicable DTC detected?

- YES >> Perform diagnosis of applicable. Refer to [EC-107. "DTC Index"](#).
NO >> GO TO 2.

2. CHECK INTAKE AIR LEAKAGE

1. Start engine and let it idle.
2. Listen for an intake air leakage after the mass air flow sensor.

Is intake air leakage detected?

- YES >> Discover air leakage location and repair.
NO >> Replace ECM. Refer to [EC-586. "Removal and Installation"](#).

P0507 ISC SYSTEM

Description

INFOID:0000000011939879

The ECM controls the engine idle speed to a specified level through the fine adjustment of the air, which is let into the intake manifold, by operating the electric throttle control actuator. The operating of the throttle valve is varied to allow for optimum control of the engine idling speed. The crankshaft position sensor (POS) detects the actual engine speed and sends a signal to the ECM.

The ECM controls the electric throttle control actuator so that the engine speed coincides with the target value memorized in the ECM. The target engine speed is the lowest speed at which the engine can operate steadily. The optimum value stored in the ECM is determined by taking into consideration various engine conditions, such as during warming up, deceleration and engine load (air conditioner, power steering and cooling fan operation, etc.).

DTC Description

INFOID:0000000011939880

DTC DETECTION LOGIC

The idle speed is more than the target idle speed by 200 rpm or more.

DTC	CONSULT screen terms (Trouble diagnosis content)	DTC detection condition	
P0507	ISC SYSTEM (Idle air control system RPM higher than expected)	Diagnosis condition	Start engine and let it idle
		Signal (terminal)	—
		Threshold	The idle speed is more than the target idle speed by 200 rpm or more
		Diagnosis delay time	—

POSSIBLE CAUSE

- Electric throttle control actuator
- Intake air leakage
- PCV system

FAIL-SAFE

Not applicable

DTC CONFIRMATION PROCEDURE

1. CHECK DTC PRIORITY

If DTC P0507 is displayed with other DTC, first perform the trouble diagnosis for the other DTC.

Is applicable DTC detected?

YES >> Perform diagnosis of applicable. Refer to [EC-107, "DTC Index"](#).

NO >> GO TO 2.

2. PRECONDITIONING

If DTC Confirmation Procedure has been previously conducted, always perform the following before conducting the next test.

1. Turn ignition switch OFF and wait at least 10 seconds.
2. Turn ignition switch ON.
3. Turn ignition switch OFF and wait at least 10 seconds.

If the target idle speed is out of the specified value, perform Idle Air Volume Learning (Refer to [EC-160, "Description"](#)), before conducting DTC Confirmation Procedure.

TESTING CONDITION:

- Before performing the following procedure, confirm that battery voltage is more than 11 V at idle.
- Always perform the test at a temperature above -10°C(14°F).

>> GO TO 3.

3. PERFORM DTC CONFIRMATION PROCEDURE

1. Start engine and warm it up to normal operating temperature.

< DTC/CIRCUIT DIAGNOSIS >

2. Turn ignition switch OFF and wait at least 10 seconds.
3. Turn ignition switch ON.
4. Turn ignition switch OFF and wait at least 10 seconds.
5. Restart engine and run it for at least 1 minute at idle speed.
6. Check 1st trip DTC.

Is 1st trip DTC detected?

- YES >> Proceed to [EC-392. "Diagnosis Procedure"](#).
NO >> INSPECTION END

Diagnosis Procedure

INFOID:000000011939881

1.CHECK DTC PRIORITY

If DTC P0507 is displayed with other DTC, first perform the trouble diagnosis for the other DTC.

Is applicable DTC detected?

- YES >> Perform diagnosis of applicable. Refer to [EC-107. "DTC Index"](#).
NO >> GO TO 2.

2.CHECK PCV HOSE CONNECTION

Confirm that PCV hose is connected correctly.

Is the inspection result normal?

- YES >> GO TO 3.
NO >> Repair or replace malfunctioning part.

3.CHECK INTAKE AIR LEAKAGE

1. Start engine and let it idle.
2. Listen for an intake air leakage after the mass air flow sensor.

Is intake air leakage detected?

- YES >> Discover air leakage location and repair.
NO >> Replace ECM. Refer to [EC-586. "Removal and Installation"](#).

P050A, P050E COLD START CONTROL

< DTC/CIRCUIT DIAGNOSIS >

[VQ35DE]

P050A, P050E COLD START CONTROL

Description

INFOID:0000000011939882

ECM controls ignition timing and engine idle speed when engine is started with pre-warming up condition. This control promotes the activation of three way catalyst by heating the catalyst and reduces emissions.

DTC Description

INFOID:0000000011939883

DTC DETECTION LOGIC

- ECM does not control engine idle speed properly when engine is started with pre-warming up condition.
- The temperature of the catalyst inlet does not rise to the proper temperature when the engine is started with pre-warming up condition.

DTC	CONSULT screen terms (Trouble diagnosis content)	DTC detection condition	
P050A	COLD START CONTROL (Cold start idle air control system performance)	Diagnosis condition	—
		Signal (terminal)	—
		Threshold	ECM does not control engine idle speed properly when engine is started with pre-warming up condition
		Diagnosis delay time	—
P050E	COLD START CONTROL (Cold start engine exhaust temperature too low)	Diagnosis condition	—
		Signal (terminal)	—
		Threshold	The temperature of the catalyst inlet does not rise to the proper temperature when the engine is started with pre-warming up condition
		Diagnosis delay time	—

POSSIBLE CAUSE

P050A

- Lack of intake air volume
- Fuel injection system
- ECM

P050B

- Lack of intake air volume
- Fuel injection system
- ECM

FAIL-SAFE

Not applicable

DTC CONFIRMATION PROCEDURE

1. CHECK DTC PRIORITY

If DTC P050A, P050E is displayed with other DTC, first perform the trouble diagnosis for the other DTC.

Is applicable DTC detected?

- YES >> Perform diagnosis of applicable. Refer to [EC-107, "DTC Index"](#).
NO >> GO TO 2.

2. PRECONDITIONING

If DTC Confirmation Procedure has been previously conducted, always perform the following procedure before conducting the next test.

1. Turn ignition switch OFF and wait at least 10 seconds.
2. Turn ignition switch ON.
3. Turn ignition switch OFF and wait at least 10 seconds.

TESTING CONDITION:

P050A, P050E COLD START CONTROL

< DTC/CIRCUIT DIAGNOSIS >

[VQ35DE]

Before performing the following procedure, confirm that battery voltage is more than 11 V at idle.

>> GO TO 3.

3.PERFORM DTC CONFIRMATION PROCEDURE-I

With CONSULT

1. Turn ignition switch OFF and wait at least 10 seconds.
2. Turn ignition switch ON.
3. Select "DATA MONITOR" mode with CONSULT.
4. Check the indication of "COOLANT TEMP/S".

With GST

Follow the procedure "With CONSULT" above.

Is the value of "COOLANT TEMP/S" between 4°C (39°F) and 36°C (97°F)?

YES >> GO TO 4.

NO-1 [If it is below 4°C (39°F)]>>Warm up the engine until the value of "COOLANT TEMP/S" reaches 4°C (39°F) or more. Retry from step 1.

NO-2 [If it is above 36°C (97°F)]>>Cool engine down to less than 36°C (97°F). Retry from step 1.

4.PERFORM DTC CONFIRMATION PROCEDURE-II

With CONSULT

1. Set the select lever in N range.
2. Start the engine and warm up in idle with the value of "COOLANT TEMP/S" between 4°C (39°F) and 40°C (104°F) for more than 15 seconds.
3. Check 1st trip DTC.

With GST

Follow the procedure "With CONSULT" above.

Is 1st trip DTC detected?

YES >> Proceed to [EC-394, "Diagnosis Procedure"](#).

NO >> INSPECTION END

Diagnosis Procedure

INFOID:000000011939884

1.CHECK DTC PRIORITY

If DTC P050A, P050E is displayed with other DTC, first perform the trouble diagnosis for the other DTC.

Is applicable DTC detected?

YES >> Perform diagnosis of applicable. Refer to [EC-107, "DTC Index"](#).

NO >> GO TO 2.

2.PERFORM IDLE AIR VOLUME LEARNING

Perform Idle Air Volume Learning. Refer to [EC-160, "Description"](#).

Is Idle Air Volume Learning carried out successfully?

YES >> GO TO 3.

NO >> Follow the instruction of Idle Air Volume Learning.

3.CHECK INTAKE SYSTEM

Check for the cause of intake air volume lacking. Refer to the following.

- Crushed intake air passage
- Intake air passage clogging
- Clogging of throttle body

Is the inspection result normal?

YES >> GO TO 4.

NO >> Repair or replace malfunctioning part

4.CHECK FUEL INJECTION SYSTEM FUNCTION

Perform DTC Confirmation Procedure for DTC P0171, P0174. Refer to [EC-289, "DTC Description"](#).

Is the inspection result normal?

YES >> GO TO 5.

P050A, P050E COLD START CONTROL

[VQ35DE]

< DTC/CIRCUIT DIAGNOSIS >

NO >> Proceed to [EC-291. "Diagnosis Procedure"](#) for DTC P0171, P0174.

5. PERFORM DTC CONFIRMATION PROCEDURE

1. Turn ignition switch ON.
2. Erase DTC.
3. Perform DTC Confirmation Procedure.
See [EC-393. "DTC Description"](#).

Is the 1st trip DTC P050A, P050E displayed again?

YES >> Replace ECM. Refer to [EC-586. "Removal and Installation"](#).

NO >> INSPECTION END

A

EC

C

D

E

F

G

H

I

J

K

L

M

N

O

P

P0520 EOP SENSOR

< DTC/CIRCUIT DIAGNOSIS >

[VQ35DE]

P0520 EOP SENSOR

DTC Description

INFOID:000000011939885

DTC DETECTION LOGIC

1. A voltage signal transmitted from the engine oil pressure sensor is lower than 0.26 V.
2. A voltage signal transmitted from the engine oil pressure sensor is higher than 4.9 V.

DTC	CONSULT screen terms (Trouble diagnosis content)	DTC detection condition		
P0520	EOP SENSOR/SWITCH (Engine oil pressure sensor/switch circuit)	1	Diagnosis condition	Start engine and let it idle
			Signal (terminal)	Voltage signal transmitted from engine oil pressure sensor to ECM
			Threshold	A voltage signal transmitted from the engine oil pressure sensor is lower than 0.26 V
			Diagnosis delay time	5 seconds or more
		2	Diagnosis condition	Start engine and let it idle
			Signal (terminal)	Voltage signal transmitted from engine oil pressure sensor to ECM
			Threshold	A voltage signal transmitted from the engine oil pressure sensor is higher than 4.9 V
			Diagnosis delay time	5 seconds or more

POSSIBLE CAUSE

- Harness or connectors
(EOP sensor circuit is open or shorted)
(APP sensor 2 circuit is shorted.)
[Battery current sensor circuit is shorted.]
[CMP sensor (PAHSE) circuit is open or shorted.]
(Refrigerant pressure sensor is shorted.)
- Engine oil temperature (EOP) sensor
- Accelerator pedal position sensor
(APP sensor 2)
- Camshaft position (CMP) sensor (PHESE)
- Refrigerant pressure sensor

FAIL-SAFE

Not applicable

DTC CONFIRMATION PROCEDURE

1. PRECONDITIONING

If DTC Confirmation Procedure has been previously conducted, always perform the following procedure before conducting the next test.

1. Turn ignition switch OFF and wait at least 10 seconds.
2. Turn ignition switch ON.
3. Turn ignition switch OFF and wait at least 10 seconds.

>> GO TO 2.

2. CHECK ENGINE OIL LEVEL

1. Turn ignition switch OFF.
2. Check engine oil level. Refer to [LU-8. "Inspection"](#).

Is inspection result normal?

- YES >> GO TO 3.
NO >> Check engine oil leak. Refer to [LU-8. "Inspection"](#).

3. PERFORM DTC CONFIRMATION PROCEDURE

P0520 EOP SENSOR

[VQ35DE]

< DTC/CIRCUIT DIAGNOSIS >

1. Start engine and let it idle for at least 5 seconds.
2. Check 1st trip DTC.

Is 1st trip DTC detected?

- YES >> Proceed to [EC-397, "Diagnosis Procedure"](#).
NO-1 >> To check malfunction symptom before repair: Refer to [GI-41, "Intermittent Incident"](#).
NO-2 >> Confirmation after repair: INSPECTION END

Diagnosis Procedure

INFOID:000000011939886

1. CHECK EOP SENSOR POWER SUPPLY-I

1. Turn ignition switch OFF.
2. Disconnect EOP sensor harness connector.
3. Turn ignition switch ON.
4. Check the voltage between EOP sensor harness connector terminals.

Connector	EOP sensor		Voltage (Approx.)
	+	-	
F80	3	1	5 V

Is the inspection result normal?

- YES >> GO TO 2.
NO >> GO TO 4.

2. CHECK EOP SENSOR SIGNAL CIRCUIT

1. Turn ignition switch OFF.
2. Disconnect ECM harness connectors.
3. Check the continuity between EOP sensor harness connector and ECM harness connector.

EOP sensor		ECM		Continuity
Connector	Terminal	Connector	Terminal	
F80	2	F13	14	Existed

4. Also check harness for short to ground and short to power.

Is the inspection result normal?

- YES >> GO TO 3.
NO >> Repair or replace error-detected parts.

3. CHECK EOP SENSOR

Check EOP sensor. Refer to [EC-398, "Component Inspection"](#).

Is the inspection result normal?

- YES >> INSPECTION END
NO >> Repair or replace error-detected parts.

4. CHECK EOP SENSOR POWER SUPPLY-II

Check the voltage between EOP sensor harness connector terminal and ground.

+		-	Voltage (Approx.)
EOP sensor			
Connector	Terminal		
F80	3	Ground	5 V

Is the inspection result normal?

- YES >> GO TO 6.
NO >> GO TO 5.

P0520 EOP SENSOR

[VQ35DE]

< DTC/CIRCUIT DIAGNOSIS >

5. CHECK EOP SENSOR POWER SUPPLY CIRCUIT

1. Turn ignition switch OFF.
2. Disconnect ECM harness connectors.
3. Check the continuity between EOP sensor harness connector and ECM harness connector.

EOP sensor		ECM		Continuity
Connector	Terminal	Connector	Terminal	
F80	3	F13	18	Existed

4. Also check harness for short to ground and short to power.

Is the inspection result normal?

YES >> Check sensor power supply 2 circuit. Refer to [EC-569. "Diagnosis Procedure"](#).

NO >> Repair or replace error-detected parts.

6. CHECK EOP SENSOR GROUND CIRCUIT

1. Turn ignition switch OFF.
2. Disconnect ECM harness connector.
3. Check the continuity between EOP sensor harness connector and ECM harness connector.

EOP sensor		ECM		Continuity
Connector	Terminal	Connector	Terminal	
F80	1	F13	15	Existed

Is the inspection result normal?

YES >> GO TO 7.

NO >> Repair or replace error-detected parts.

7. CHECK ECM GROUND CIRCUIT

Check the continuity between ECM harness connector and ground.

ECM		—	Continuity
Connector	Terminal		
E10	147	Ground	Existed
	149		
	152		
F13	10		
	55		
F14	105		
	110		

Is the inspection result normal?

YES >> INSPECTION END

NO >> Repair or replace error-detected parts.

Component Inspection

INFOID:000000011939887

1. CHECK EOP SENSOR

1. Turn ignition switch OFF.
2. Disconnect EOP sensor harness connector.
3. Check resistance between EOP sensor connector terminals.

P0520 EOP SENSOR

< DTC/CIRCUIT DIAGNOSIS >

[VQ35DE]

EOP sensor		Condition	Resistance (kΩ)	
+	-			
Terminal		None		
1	2			4 – 10
	3			2 – 8
2	1			4 – 10
	3			1 – 3
3	1			2 – 8
	2	1 – 3		

Is the inspection result normal?

YES >> INSPECTION END.

NO >> Replace EOP sensor. Refer to [EC-15, "ENGINE CONTROL SYSTEM : Component Parts Location"](#).

A

EC

C

D

E

F

G

H

I

J

K

L

M

N

O

P

P0524 ENGINE OIL PRESSURE

< DTC/CIRCUIT DIAGNOSIS >

[VQ35DE]

P0524 ENGINE OIL PRESSURE

DTC Description

INFOID:000000011939888

DTC DETECTION LOGIC

An EOP sensor signal voltage applied to ECM remains lower than the specified value continuously for 10 seconds or more when the engine speed is 1,000 rpm or more.

DTC	CONSULT screen terms (Trouble diagnosis content)	DTC detection condition	
P0524	ENGINE OIL PRESSURE (Engine oil pressure too low)	Diagnosis condition	—
		Signal (terminal)	Voltage signal transmitted from EOP sensor signal to ECM
		Threshold	An EOP sensor signal voltage applied to ECM remains lower than the specified value continuously when the engine speed is 1,000 rpm or more
		Diagnosis delay time	10 seconds or more

POSSIBLE CAUSE

- Decrease in engine oil pressure
- Decrease in engine oil level
- Engine oil condition
- EOP sensor
- Engine body

FAIL-SAFE

Engine operating condition in fail-safe mode	
Fail safe mode	Vehicle behavior
Engine oil pressure	<ul style="list-style-type: none">• ECM illuminates oil pressure warning lamp on the combination meter.• Engine speed will not rise more than 4,000 rpm due to the fuel cut.• Fail-safe is canceled when ignition switch OFF → ON.

DTC CONFIRMATION PROCEDURE

CAUTION:

If "**EC-401, "Diagnosis Procedure"**" is unfinished, be sure to perform Step 3 and 4.

1. PRECONDITIONING-1

If DTC Confirmation Procedure has been previously conducted, always perform the following procedure before conducting the next test.

1. Turn ignition switch OFF and wait at least 10 seconds.
2. Turn ignition switch ON.
3. Turn ignition switch OFF and wait at least 10 seconds.

TEST CONDITION:

Before performing the following procedure, confirm that battery voltage is 11 V or more at idle.

>> GO TO 2.

2. PRECONDITIONING-2

Is "Diagnosis Procedure" of DTC P0524 finished?

- YES >> GO TO 3.
NO >> GO TO 4.

3. PERFORM DTC CONFIRMATION PROCEDURE

1. Start engine and warm it up to normal operating temperature.
2. Maintain the following conditions for about 10 consecutive seconds.

P0524 ENGINE OIL PRESSURE

[VQ35DE]

< DTC/CIRCUIT DIAGNOSIS >

Selector lever	P or N position
Engine coolant temperature	70°C (158°F) or more
Engine speed	1,000 rpm or more

NOTE:

With engine speed set around 4,000 rpm, the phenomenon can be reproduced more easily.

3. Check DTC.

Is DTC detected?

YES >> Proceed to [EC-401, "Diagnosis Procedure"](#).

NO >> INSPECTION END

4.CHECK ENGINE OIL LEVEL

Check engine oil level. Refer to [LU-8, "Inspection"](#).

Is the inspection result normal?

YES >> GO TO 5.

NO >> Proceed to [EC-401, "Diagnosis Procedure"](#).

5.CHECK ENGINE OIL PRESSURE

Ⓜ With CONSULT

1. Turn ignition switch ON.
2. Select "DATA MONITOR" mode of "ENGINE" using CONSULT.
3. Start the engine and check that "EOP SENSOR" changes, according to engine speeds.

Monitor item	Condition	Value (Approx.)
EOP SENSOR	• Engine oil temperature: 80°C (176°F) • Selector lever: P or N position • Air conditioner switch: OFF • No load	Engine speed: Idle 1,450 mV or more
		Engine speed: 2,000 rpm 2,850 mV or more

ⓧ Without CONSULT

Check engine oil pressure. Refer to [LU-8, "Inspection"](#).

Is the inspection result normal?

YES-1 >> To check malfunction symptom before repair: Refer to [GI-41, "Intermittent Incident"](#).

YES-2 >> Confirmation after repair: INSPECTION END

NO >> Proceed to [EC-401, "Diagnosis Procedure"](#).

Diagnosis Procedure

INFOID:000000011939889

1.CHECK ENGINE OIL LEVEL

1. Turn ignition switch OFF.
2. Check engine oil level. Refer to [LU-8, "Inspection"](#).

Is the inspection result normal?

YES >> GO TO 2.

NO >> GO TO 4.

2.CHECK ENGINE OIL PRESSURE

Ⓜ With CONSULT

1. Turn ignition switch ON.
2. Select "DATA MONITOR" mode of "ENGINE" using CONSULT.
3. Start the engine and check that "EOP SENSOR" changes, according to engine speeds.

P0524 ENGINE OIL PRESSURE

< DTC/CIRCUIT DIAGNOSIS >

[VQ35DE]

Monitor item	Condition		Value (Approx.)
EOP SENSOR	<ul style="list-style-type: none"> Engine oil temperature: 80°C (176°F) Selector lever: P or N position Air conditioner switch: OFF No load 	Engine speed: Idle	1,450 mV or more
		Engine speed: 2,000 rpm	2,850 mV or more

⊗ Without CONSULT

Check engine oil level. Refer to [LU-8. "Inspection"](#).

Is the inspection result normal?

YES >> GO TO 3.

NO >> Check oil pump. Refer to [LU-12. "Removal and Installation"](#).

3.CHECK EOP SENSOR

Check EOP sensor. Refer to [EC-402. "Component Inspection"](#).

Is the inspection result normal?

YES >> INSPECTION END

NO >> Repair or replace error-detected parts.

4.CHECK ENGINE OIL LEAKAGE

Check engine oil leakage. Refer to [LU-8. "Inspection"](#).

Is the inspection result normal?

YES >> GO TO 5.

NO >> Repair or replace error-detected parts.

5.CHECK CAUSE OF ENGINE OIL CONSUMPTION

Check the following item.

Step	Inspection item	Equipment	Standard	Reference
1	PCV valve	EC-585. "Work Procedure"		
2	Exhaust front tube	Visual	<ul style="list-style-type: none"> No blocking No abnormal sounds 	—
3	Oil pump	LU-12. "Removal and Installation"		
4	<ul style="list-style-type: none"> Piston Piston pin Piston ring 	<ul style="list-style-type: none"> Piston to piston pin oil clearance Piston ring side clearance Piston ring end gap 		EM-126
5	Cylinder block	<ul style="list-style-type: none"> Cylinder block top surface distortion Piston to cylinder bore clearance 		EM-126

>> Repair or replace error-detected parts.

Component Inspection

INFOID:000000011939890

1.CHECK EOP SENSOR

- Turn ignition switch OFF.
- Disconnect EOP sensor harness connector.
- Check resistance between EOP sensor connector terminals.

P0524 ENGINE OIL PRESSURE

< DTC/CIRCUIT DIAGNOSIS >

[VQ35DE]

EOP sensor		Condition	Resistance (kΩ)	
+	-			
Terminal		None		
1	2			4 – 10
	3			2 – 8
2	1			4 – 10
	3			1 – 3
3	1			2 – 8
	2	1 – 3		

Is the inspection result normal?

YES >> INSPECTION END.

NO >> Replace EOP sensor. Refer to [EC-15, "ENGINE CONTROL SYSTEM : Component Parts Location"](#).

A

EC

C

D

E

F

G

H

I

J

K

L

M

N

O

P

P052A, P052B, P052C, P052D INTAKE VALVE TIMING CONTROL

< DTC/CIRCUIT DIAGNOSIS >

[VQ35DE]

P052A, P052B, P052C, P052D INTAKE VALVE TIMING CONTROL

DTC Description

INFOID:000000011939891

DTC DETECTION LOGIC

There is a gap between the target phase angle and the detected phase angle when the engine is operating in cold conditions.

DTC	CONSULT screen terms (Trouble diagnosis content)	DTC detection condition	
		Diagnosis condition	Signal (terminal)
P052A	CAMSHAFT POSITION TIMING B1 (Cold start "A" camshaft position timing over-advanced bank 1)	Diagnosis condition	—
		Signal (terminal)	—
		Threshold	There is a gap between the target phase angle and the detected phase angle when the engine is operating in cold conditions
		Diagnosis delay time	—
P052B	CAMSHAFT POSITION TIMING B1 (Cold start "A" camshaft position timing over-retarded bank 1)	Diagnosis condition	—
		Signal (terminal)	—
		Threshold	There is a gap between the target phase angle and the detected phase angle when the engine is operating in cold conditions
		Diagnosis delay time	—
P052C	CAMSHAFT POSITION TIMING B2 (Cold start "A" camshaft position timing over-advanced bank 2)	Diagnosis condition	—
		Signal (terminal)	—
		Threshold	There is a gap between the target phase angle and the detected phase angle when the engine is operating in cold conditions
		Diagnosis delay time	—
P052D	CAMSHAFT POSITION TIMING B2 (Cold start "A" camshaft position timing over-retarded bank 2)	Diagnosis condition	—
		Signal (terminal)	—
		Threshold	There is a gap between the target phase angle and the detected phase angle when the engine is operating in cold conditions
		Diagnosis delay time	—

POSSIBLE CAUSE

DTC P052A

- Crankshaft position sensor
- Camshaft position sensor
- Intake valve timing control solenoid valve
- Intake valve timing intermediate lock control solenoid valve
- Accumulation of debris to the signal pick-up portion of the camshaft
- Timing chain installation
- Foreign matter caught in the intake valve timing control (or intermediate lock control) solenoid valve

DTC P052B

- Crankshaft position sensor
- Camshaft position sensor
- Intake valve timing control solenoid valve
- Intake valve timing intermediate lock control solenoid valve
- Accumulation of debris to the signal pick-up portion of the camshaft
- Timing chain installation
- Foreign matter caught in the intake valve timing control (or intermediate lock control) solenoid valve

DTC P052C

- Crankshaft position sensor

P052A, P052B, P052C, P052D INTAKE VALVE TIMING CONTROL

< DTC/CIRCUIT DIAGNOSIS >

[VQ35DE]

- Camshaft position sensor
- Intake valve timing control solenoid valve
- Intake valve timing intermediate lock control solenoid valve
- Accumulation of debris to the signal pick-up portion of the camshaft
- Timing chain installation
- Foreign matter caught in the intake valve timing control (or intermediate lock control) solenoid valve

DTC P052D

- Crankshaft position sensor
- Camshaft position sensor
- Intake valve timing control solenoid valve
- Intake valve timing intermediate lock control solenoid valve
- Accumulation of debris to the signal pick-up portion of the camshaft
- Timing chain installation
- Foreign matter caught in the intake valve timing control (or intermediate lock control) solenoid valve

FAIL-SAFE

Engine operating condition in fail-safe mode	
Fail safe mode	Vehicle behavior
Intake valve timing intermediate lock control	—

DTC CONFIRMATION PROCEDURE

1. CHECK DTC PRIORITY

If DTC P052A, P052B, P052C and P052D is displayed with DTC P0075 or P0081, first perform the confirmation procedure for DTC UXXXX or P0607.

Is applicable DTC detected?

- YES >> Perform diagnosis of applicable.
- DTC P0075: Refer to [EC-213, "DTC Description"](#).
 - DTC P0081: Refer to [EC-213, "DTC Description"](#).

NO >> GO TO 2.

2. PRECONDITIONING

TESTING CONDITION:

Before performing the following procedure, confirm that battery voltage is 10 V or more at idle.

With CONSULT

1. Turn ignition switch OFF and wait at least 10 seconds.
2. Turn ignition switch ON.
3. Turn ignition switch OFF and wait at least 10 seconds.
4. Turn ignition switch ON.
5. On the CONSULT screen, select "ENGINE" >> "DATA MONITOR" >> "COOLAN TEMP/S".
6. Check "COOLAN TEMP/S" indication value.

With GST

Follow the procedure "With CONSULT" above.

Is the value of "COOLAN TEMP/S" -5°C (23°F) and 45°C (113°F)?

YES >> GO TO 3.

NO-1 [if it is below -5°C (23°F)]>>Warm up the engine until the value of "COOLAN TEMP/S" indicates -5°C (23°F) and 45°C (113°F). And then GO TO 3.

NO-2 [if it is above 45°C (113°F)]>>Cool the engine down to the value of "COOLAN TEMP/S" indicates -5°C (23°F) and 45°C (113°F). And then GO TO 3.

3. PERFORM DTC CONFIRMATION PROCEDURE-I

1. Turn ignition switch OFF and wait at 10 seconds.
2. Turn ignition switch ON.
3. Set the selector lever in N range.
4. Start the engine and let it idle for 20 seconds or more.
5. Check 1st trip DTC.

Is 1st trip DTC detected?

P052A, P052B, P052C, P052D INTAKE VALVE TIMING CONTROL

< DTC/CIRCUIT DIAGNOSIS >

[VQ35DE]

- YES >> Proceed to [EC-406, "Diagnosis Procedure"](#)
NO-1 >> To check malfunction symptom before repair: Refer to [GI-41, "Intermittent Incident"](#).
NO-2 >> Confirmation after repair: INSPECTION END

Diagnosis Procedure

INFOID:0000000011939892

1. CHECK DTC PRIORITY

If DTC P052A, P052B, P052C and P052D is displayed with DTC P0075 or P0081, first perform the confirmation procedure for DTC UXXXX or P0607.

Is applicable DTC detected?

- YES >> Perform diagnosis of applicable.
- DTC P0075: Refer to [EC-213, "DTC Description"](#).
 - DTC P0081: Refer to [EC-213, "DTC Description"](#).
- NO >> GO TO 2.

2. INSPECTION START

With CONSULT>>GO TO 3.
Without CONSULT>>GO TO 4.

3. CHECK VTC POSITION

With CONSULT

1. Turn ignition switch ON.
2. On the CONSULT screen, select "ENGINE" >> "DATA MONITOR" >> "COOLAN TEMP/S".
3. Check that the "COOLAN TEMP/S" indication value is between -5°C (23°F) and 45°C (113°F).
4. Start engine and wait at least 5 seconds.
5. On the CONSULT screen, select "ENGINE" >> "DATA MONITOR" >> "INT/V TIM (B1)".
6. Check that the data monitor item indicates as follows:

Item	Value ($^{\circ}\text{CA}$)
INT/V TIM (B1)	10 ± 2
INT/V TIM (B2)	10 ± 2

Is the inspection result normal?

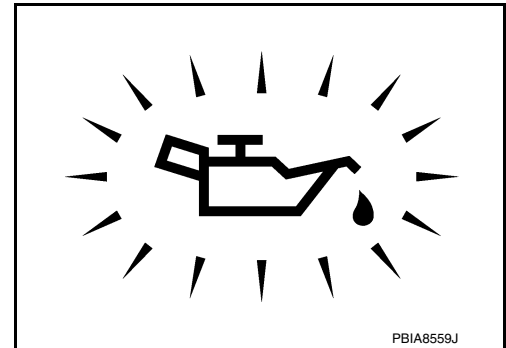
- YES >> INSPECTION END
NO >> GO TO 5.

4. CHECK OIL PRESSURE WARNING LAMP

1. Start engine.
2. Check that oil pressure warning lamp is not illuminated.

Is oil pressure warning lamp illuminated?

- YES >> Refer to [LU-8, "Inspection"](#).
NO >> GO TO 6.



5. CHECK INTAKE VALVE TIMING INTERMEDIATE LOCK CONTROL SOLENOID VALVE

Perform Component Inspection of the intake valve timing intermediate lock control solenoid valve. Refer to [EC-408, "Component Inspection \(Intake Valve Timing Intermediate Lock Control Solenoid Valve\)"](#).

Is the inspection result normal?

- YES >> GO TO 6.
NO >> Repair or replace error-detected parts.

P052A, P052B, P052C, P052D INTAKE VALVE TIMING CONTROL

< DTC/CIRCUIT DIAGNOSIS >

[VQ35DE]

6. CHECK INTAKE VALVE TIMING CONTROL SOLENOID VALVE

Perform Component Inspection of the intake valve timing control solenoid valve. Refer to [EC-407. "Component Inspection \(Intake Valve Timing Control Solenoid Valve\)".](#)

Is the inspection result normal?

- YES >> GO TO 7.
- NO >> Repair or replace error-detected parts.

7. CHECK CRANKSHAFT POSITION SENSOR

Perform Component Inspection of the crankshaft position sensor. Refer to [EC-409. "Component Inspection \(Crankshaft Position sensor\)".](#)

Is the inspection result normal?

- YES >> GO TO 8.
- NO >> Repair or replace error-detected parts.

8. CHECK CAMSHAFT POSITION SENSOR

Perform Component Inspection of the camshaft position sensor. Refer to [EC-409. "Component Inspection \(Camshaft position sensor\)".](#)

Is the inspection result normal?

- YES >> GO TO 9.
- NO >> Repair or replace error-detected parts.

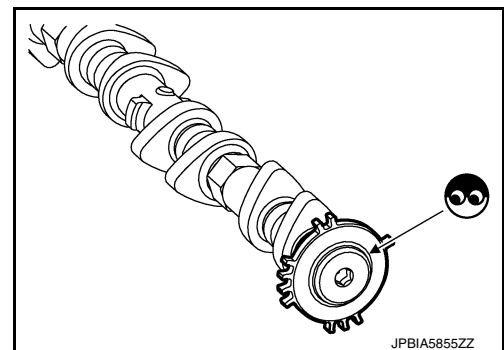
9. CHECK CAMSHAFT (INTAKE)

Check the following.

1. Accumulation of debris on the signal plate of camshaft front end
2. Chipping signal plate of camshaft front end

Is the inspection result normal?

- YES >> GO TO 10.
- NO >> Remove debris and clean the signal plate of camshaft front end or replace camshaft. Refer to [EM-79. "Removal and Installation".](#)



10. CHECK TIMING CHAIN INSTALLATION

Check service records for any recent repairs that may cause timing chain misalignment.

Are there any service records that may cause timing chain misalignment?

- YES >> Check timing chain installation. Refer to [EM-66. "Removal and Installation".](#)
- NO >> GO TO 11.

11. CHECK LUBRICATION CIRCUIT

Perform "Inspection of Camshaft Sprocket (INT) Oil Groove". Refer to [EM-86. "Inspection after Installation".](#)

Is the inspection result normal?

- YES >> INSPECTION END
- NO >> Clean lubrication line.

Component Inspection (Intake Valve Timing Control Solenoid Valve)

INFOID:000000011939893

1. CHECK INTAKE VALVE TIMING CONTROL SOLENOID VALVE-I

1. Turn ignition switch OFF.
2. Disconnect intake valve timing control solenoid valve harness connector.
3. Check resistance between intake valve timing control solenoid valve terminals as per the following.

P052A, P052B, P052C, P052D INTAKE VALVE TIMING CONTROL

< DTC/CIRCUIT DIAGNOSIS >

[VQ35DE]

Intake valve timing control solenoid valve		Condition		Resistance
+	-			
Terminal				
1	2	Temperature	20°C (68°F)	7.0 – 7.8 Ω
1	Ground			∞ (Continuity should not exist)
2				

Is the inspection result normal?

YES >> GO TO 2.

NO >> Replace malfunctioning intake valve timing control solenoid valve. Refer to [EM-55, "Exploded View"](#).

2. CHECK INTAKE VALVE TIMING CONTROL SOLENOID VALVE-II

1. Remove intake valve timing control solenoid valve. Refer to [EM-55, "Exploded View"](#).

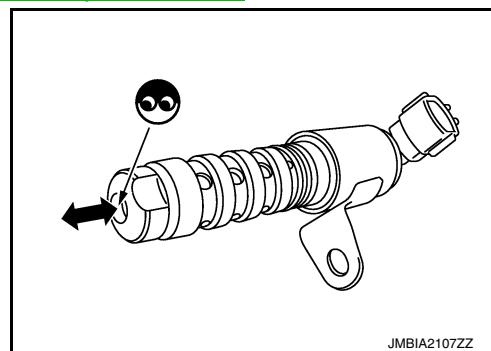
2. Provide 12 V DC between intake valve timing control solenoid valve terminals 1 and 2, and then interrupt it. Check that the plunger moves as shown in the figure.

CAUTION:

Never apply 12 V DC continuously for 5 seconds or more. Doing so may result in damage to the coil in intake valve timing control solenoid valve.

NOTE:

Always replace O-ring when intake valve timing control solenoid valve is removed.



Is the inspection result normal?

YES >> INSPECTION END

NO >> Replace malfunctioning intake valve timing control solenoid valve. Refer to [EM-55, "Exploded View"](#).

Component Inspection (Intake Valve Timing Intermediate Lock Control Solenoid Valve)

INFOID:000000011939894

1. CHECK INTAKE VALVE TIMING INTERMEDIATE LOCK CONTROL SOLENOID VALVE-I

- Turn ignition switch OFF.
- Disconnect intake valve timing intermediate lock control solenoid valve harness connector.
- Check resistance between intake valve timing intermediate lock control solenoid valve terminals as per the following.

Intake valve timing intermediate lock control solenoid valve		Condition		Resistance
+	-			
Terminal				
1	2	Temperature	20°C (68°F)	7.0 – 7.8 Ω
1	Ground			∞ (Continuity should not exist)
2				

Is the inspection result normal?

YES >> GO TO 2.

NO >> Replace malfunctioning intake valve timing intermediate lock control solenoid valve. Refer to [EM-55, "Exploded View"](#).

2. CHECK INTAKE VALVE TIMING INTERMEDIATE LOCK CONTROL SOLENOID VALVE-II

1. Remove intake valve timing intermediate lock control solenoid valve. Refer to [EM-55, "Exploded View"](#).

P052A, P052B, P052C, P052D INTAKE VALVE TIMING CONTROL

[VQ35DE]

< DTC/CIRCUIT DIAGNOSIS >

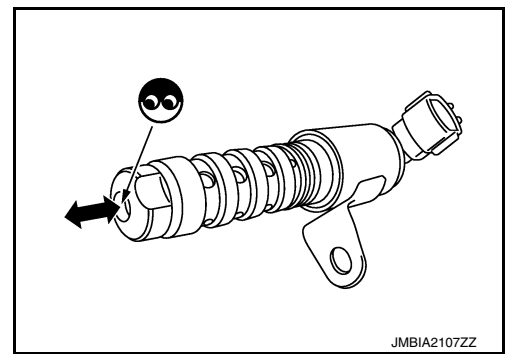
- Provide 12 V DC between intake valve timing intermediate lock control solenoid valve terminals 1 and 2, and then interrupt it. Check that the plunger moves as shown in the figure.

CAUTION:

Never apply 12 V DC continuously for 5 seconds or more. Doing so may result in damage to the coil in intake valve timing intermediate lock control solenoid valve.

NOTE:

Always replace O-ring when intake valve timing intermediate lock control solenoid valve is removed.



Is the inspection result normal?

YES >> INSPECTION END

NO >> Replace malfunctioning intake valve timing intermediate lock control solenoid valve. Refer to [EM-55, "Exploded View"](#).

Component Inspection (Crankshaft Position sensor)

INFOID:0000000011939895

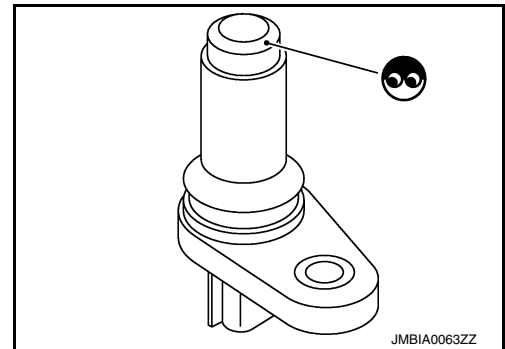
1. CHECK CRANKSHAFT POSITION SENSOR (POS)-1

- Turn ignition switch OFF.
- Loosen the fixing bolt of the sensor.
- Disconnect crankshaft position sensor (POS) harness connector.
- Remove the sensor.
- Visually check the sensor for chipping.

Is the inspection result normal?

YES >> GO TO 2.

NO >> Replace crankshaft position sensor (POS). Refer to [EM-39, "Exploded View"](#).



2. CHECK CRANKSHAFT POSITION SENSOR (POS)-2

Check the resistance between crankshaft position sensor (POS) terminals as per the following.

Crankshaft position sensor (POS)		Resistance [at 25°C (77°F)]
+	-	
Terminal (Polarity)		Except 0 or ∞ Ω
1	2	
	3	
2	3	

Is the inspection result normal?

YES >> INSPECTION END

NO >> Replace crankshaft position sensor (POS). Refer to [EM-39, "Exploded View"](#).

Component Inspection (Camshaft position sensor)

INFOID:0000000011939896

1. CHECK CAMSHAFT POSITION SENSOR (PHASE)-1

- Turn ignition switch OFF.
- Loosen the fixing bolt of the sensor.
- Disconnect camshaft position sensor (PHASE) harness connector.
- Remove the sensor. Refer to [EM-51, "Exploded View"](#).

A
EC
C
D
E
F
G
H
I
J
K
L
M
N
O
P

P052A, P052B, P052C, P052D INTAKE VALVE TIMING CONTROL

[VQ35DE]

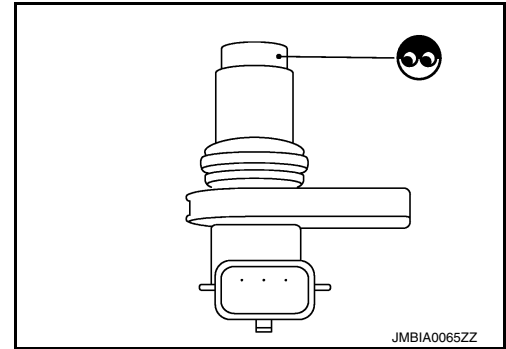
< DTC/CIRCUIT DIAGNOSIS >

5. Visually check the sensor for chipping.

Is the inspection result normal?

YES >> GO TO 2.

NO >> Replace camshaft position sensor (PHASE).



2. CHECK CAMSHAFT POSITION SENSOR (PHASE)-2

Check the resistance camshaft position sensor (PHASE) terminals as per the following.

Camshaft position sensor (PHASE)		Resistance [Ω at 25°C (77°F)]
+	-	
Terminals (Polarity)		
1	2	Except 0 or ∞
	3	
2	3	

Is the inspection result normal?

YES >> INSPECTION END

NO >> Replace camshaft position sensor (PHASE). Refer to [EM-51. "Exploded View"](#).

P0603, P062F ECM

DTC Description

INFOID:0000000011939900

DTC DETECTION LOGIC

- ECM back up system does not function properly.
- EEPROM (built-in microcomputer) system internal ECM does not function properly.

DTC	CONSULT screen terms (Trouble diagnosis content)	DTC detection condition	
		Diagnosis condition	Signal (terminal)
P0603	ECM BACK UP/CIRCUIT [Internal Control Module Keep Alive Memory (KAM) Error]	Diagnosis condition	Ignition switch ON
		Signal (terminal)	—
		Threshold	ECM back up system does not function properly
		Diagnosis delay time	—
P062F	CONTROL MODULE (Internal control module EEPROM error)	Diagnosis condition	Start engine and let it idle
		Signal (terminal)	—
		Threshold	EEPROM (built-in microcomputer) system internal ECM does not function properly
		Diagnosis delay time	—

POSSIBLE CAUSE

DTC P0603

- Harness or connectors
[ECM power supply circuit is open or shorted.]
- ECM

DTC P062F

- Harness or connectors
[ECM power supply circuit is open or shorted.]
- ECM

FAIL-SAFE

Engine operating condition in fail-safe mode		
DTC	Fail safe mode	Vehicle behavior
P0603	ECM	Engine torque may be limited.

DTC CONFIRMATION PROCEDURE

1. PRECONDITIONING

Perform the following procedure before performing DTC Confirmation Procedure.

1. Turn ignition switch OFF and wait at least 10 seconds.
2. Turn ignition switch ON.
3. Turn ignition switch OFF and wait at least 10 seconds.

>> GO TO 2.

2. PERFORM DTC CONFIRMATION PROCEDURE FOR DTC P062F

1. Start engine and wait at least 10 seconds.
2. Turn ignition switch OFF and wait at least 10 seconds.
3. Repeat steps 1 and 2 for 4 times.
4. Turn ignition switch ON.
5. Erase DTC.
6. Turn ignition switch OFF and wait at least 10 seconds.
7. Start engine and wait at least 10 seconds.
8. Check 1st trip DTC.

< DTC/CIRCUIT DIAGNOSIS >

Is 1st trip DTC detected?

- YES >> Proceed to [EC-412, "Diagnosis Procedure"](#).
- NO >> GO TO 3.

3.PERFORM DTC CONFIRMATION PROCEDURE FOR DTC P0603

1. Turn ignition switch OFF and wait at least 10 seconds.
2. Turn ignition switch ON and wait at least 10 seconds.
3. Turn ignition switch OFF and wait at least 5 minutes.
4. Turn ignition switch ON and wait at least 10 seconds.
5. Repeat steps 3 and 4 for 5 times.
6. Turn ignition switch ON.
7. Check 1st trip DTC.

Is 1st trip DTC detected?

- YES >> Proceed to [EC-412, "Diagnosis Procedure"](#).
- NO-1 >> To check malfunction symptom before repair: Refer to [GI-41, "Intermittent Incident"](#).
- NO-2 >> Confirmation after repair: INSPECTION END

Diagnosis Procedure

INFOID:000000011939901

1.INSPECTION START

Check that the battery negative terminal is not disconnected during ignition switch ON.

Is the inspection result normal?

- YES >> GO TO 3.
- NO >> GO TO 2.

2.ERASE DTC

1. Start the engine and let it idle at least 10 seconds.
2. Turn ignition switch OFF.
3. Repeat steps 1 and 2 for 4 times.
4. Erase DTC.
5. Turn ignition switch OFF and wait at least 10 seconds.
6. Start the engine and let it idle for 10 seconds.
7. Check 1st trip DTC.

Is DTC P062F detected again?

- YES >> Replace ECM. Refer to [EC-586, "Removal and Installation"](#).
- NO >> INSPECTION END

3.CHECK ECM POWER SUPPLY AND GROUND CIRCUIT

Check ECM power supply and ground circuit. Refer to [EC-190, "Diagnosis Procedure"](#).

Is the inspection result normal?

- YES >> INSPECTION END
- NO >> Repair or replace error-detected parts.

4.PERFORM DTC CONFIRMATION PROCEDURE

1. Turn ignition switch ON.
2. Erase DTC.
3. Perform DTC confirmation procedure. Refer to [EC-411, "DTC Description"](#).

Is the DTC P0603 or P062F detected again?

- YES >> Replace ECM. Refer to [EC-586, "Removal and Installation"](#).
- NO >> INSPECTION END

P0604 ECM

DTC Description

INFOID:000000011939902

DTC DETECTION LOGIC

DTC	CONSULT screen terms (Trouble diagnosis content)	DTC detection condition	
		Diagnosis condition	Ignition switch ON
P0604	ECM [Internal control module random access memory (RAM) error]	Signal (terminal)	—
		Threshold	Malfunction in the internal RAM of ECM
		Diagnosis delay time	—

POSSIBLE CAUSE

- ECM

FAIL-SAFE

Engine operating condition in fail-safe mode	
Fail safe mode	Vehicle behavior
ECM	<ul style="list-style-type: none"> • ECM stops the electric throttle control actuator control, throttle valve is maintained at a fixed opening (approx. 5 degrees) by the return spring. • The position of the following components is fixed. <ul style="list-style-type: none"> - Intake valve timing control solenoid valve - Exhaust valve timing control solenoid valve - Intake manifold runner control valve • ASCD operation may be deactivated.

DTC CONFIRMATION PROCEDURE

1. PRECONDITIONING

1. Turn ignition switch OFF and wait at least 10 seconds.
2. Turn ignition switch ON.
3. Turn ignition switch OFF and wait at least 10 seconds.

TESTING CONDITION:

Before performing the following procedure, confirm that battery voltage is 11 V or more with ignition switch ON.

>> GO TO 2.

2. PERFORM DTC CONFIRMATION PROCEDURE

1. Turn ignition switch ON (engine stopped) and wait least 20 minutes.

CAUTION:

Never start engine during this procedure.

2. Turn ignition switch OFF and wait at least 10 seconds.
3. Turn ignition switch ON.
4. Check 1st trip DTC.

Is 1st trip DTC detected?

YES >> Proceed to [EC-413, "Diagnosis Procedure"](#).

NO-1 >> To check malfunction symptom before repair: Refer to [GI-41, "Intermittent Incident"](#).

NO-2 >> Confirmation after repair: INSPECTION END

Diagnosis Procedure

INFOID:000000011939903

1. PERFORM DTC CONFIRMATION PROCEDURE

1. Turn ignition switch ON.
2. Erase DTC.
3. Perform DTC confirmation procedure. Refer to [EC-413, "DTC Description"](#).

P0604 ECM

[VQ35DE]

< DTC/CIRCUIT DIAGNOSIS >

Is the 1st trip DTC P0604 displayed again?

YES >> Replace ECM. Refer to [EC-586, "Removal and Installation"](#).
NO >> INSPECTION END

P0605 ECM

< DTC/CIRCUIT DIAGNOSIS >

[VQ35DE]

P0605 ECM

DTC Description

INFOID:0000000011939904

DTC DETECTION LOGIC

DTC	CONSULT screen terms (Trouble diagnosis content)	DTC detection condition	
		Diagnosis condition	Ignition switch ON
P0605	ECM [Internal control module read only mem- ory (ROM) error]	Signal (terminal)	—
		Threshold	Malfunction in the internal ROM of ECM
		Diagnosis delay time	—

POSSIBLE CAUSE

- ECM

FAIL-SAFE

Engine operating condition in fail-safe mode	
Fail safe mode	Vehicle behavior
ECM	<p>NOTE: Fail-safe may not occur depending on malfunction type.</p> <ul style="list-style-type: none"> • ECM stops the electric throttle control actuator control, throttle valve is maintained at a fixed opening (approx. 5 degrees) by the return spring. • The position of the following components is fixed. <ul style="list-style-type: none"> - Intake valve timing control solenoid valve - Exhaust valve timing control solenoid valve - Intake manifold runner control valve • ASCD operation may be deactivated.

DTC CONFIRMATION PROCEDURE

1. PRECONDITIONING

1. Turn ignition switch OFF and wait at least 10 seconds.
2. Turn ignition switch ON.
3. Turn ignition switch OFF and wait at least 10 seconds.

TESTING CONDITION:

Before performing the following procedure, confirm that battery voltage is 11 V or more with ignition switch ON.

>> GO TO 2.

2. PERFORM DTC CONFIRMATION PROCEDURE

1. Turn ignition switch ON (engine stopped) and wait least 20 minutes.

CAUTION:

Never start engine during this procedure.

2. Turn ignition switch OFF and wait at least 10 seconds.
3. Turn ignition switch ON.
4. Check 1st trip DTC.

Is 1st trip DTC detected?

YES >> Proceed to [EC-415, "Diagnosis Procedure"](#).

NO-1 >> To check malfunction symptom before repair: Refer to [GI-41, "Intermittent Incident"](#).

NO-2 >> Confirmation after repair: INSPECTION END

Diagnosis Procedure

INFOID:0000000011939905

1. INSPECTION START

1. Turn ignition switch ON.

P0605 ECM

[VQ35DE]

< DTC/CIRCUIT DIAGNOSIS >

2. Erase DTC.
3. Perform DTC CONFIRMATION PROCEDURE.
See [EC-415. "DTC Description"](#).

Is the 1st trip DTC P0605 displayed again?

- YES >> Replace ECM. Refer to [EC-586. "Removal and Installation"](#).
NO >> INSPECTION END

P0606 ECM

DTC Description

INFOID:0000000011939906

DTC DETECTION LOGIC

DTC	CONSULT screen terms (Trouble diagnosis content)	DTC detection condition	
P0606	CONTROL MODULE (Control module processor)	Diagnosis condition	—
		Signal (terminal)	—
		Threshold	Malfunction in ECM processor
		Diagnosis delay time	—

POSSIBLE CAUSE

- ECM

FAIL-SAFE

Engine operating condition in fail-safe mode	
Fail safe mode	Vehicle behavior
ECM	<p>NOTE: Fail-safe may not occur depending on malfunction type.</p> <ul style="list-style-type: none"> • ECM stops the electric throttle control actuator control, throttle valve is maintained at a fixed opening (approx. 5 degrees) by the return spring. • The position of the following components is fixed. <ul style="list-style-type: none"> - Intake valve timing control solenoid valve - Exhaust valve timing control solenoid valve - Intake manifold runner control valve • ASCD operation may be deactivated.

DTC CONFIRMATION PROCEDURE

1. PRECONDITIONING

1. Turn ignition switch OFF and wait at least 10 seconds.
2. Turn ignition switch ON.
3. Turn ignition switch OFF and wait at least 10 seconds.

TESTING CONDITION:

Before performing the following procedure, confirm that battery voltage is 11 V or more with ignition switch ON.

>> GO TO 2.

2. PERFORM DTC CONFIRMATION PROCEDURE-I

1. Turn ignition switch ON (engine stopped) and wait at least 10 seconds.

CAUTION:

Never start engine during this procedure.

2. Turn ignition switch OFF and wait at least 10 seconds.
3. Turn ignition switch ON.
4. Check 1st trip DTC.

Is 1st trip DTC detected?

YES >> Proceed to [EC-418. "Diagnosis Procedure"](#).

NO >> GO TO 3.

3. PERFORM DTC CONFIRMATION PROCEDURE-II

1. Start engine.
2. Rev up the engine quickly to approximately 3,000 rpm under unloaded condition and completely release the accelerator pedal.
3. Let the engine idle and wait at least 10 seconds.

P0606 ECM

[VQ35DE]

< DTC/CIRCUIT DIAGNOSIS >

4. Turn ignition switch OFF and wait at least 10 seconds.
5. Turn ignition switch ON.
6. Check 1st trip DTC.

Is 1st trip DTC detected?

- YES >> Proceed to [EC-418, "Diagnosis Procedure"](#).
NO-1 >> To check malfunction symptom before repair: Refer to [GI-41, "Intermittent Incident"](#).
NO-2 >> Confirmation after repair: INSPECTION END

Diagnosis Procedure

INFOID:0000000011939907

1.PERFORM DTC CONFIRMATION PROCEDURE

1. Turn ignition switch ON.
2. Erase DTC.
3. Perform DTC confirmation procedure for 3 times. Refer to [EC-417, "DTC Description"](#).

Is the 1st trip DTC P0606 displayed again?

- YES >> Replace ECM. Refer to [EC-586, "Removal and Installation"](#).
NO >> INSPECTION END

P0607 ECM

DTC Description

INFOID:0000000011939908

DTC DETECTION LOGIC

DTC	CONSULT screen terms (Trouble diagnosis content)	DTC detection condition	
		Diagnosis condition	Ignition switch ON
P0607	ECM (Control module performance)	Signal (terminal)	—
		Threshold	ECM internal communication system is malfunctioning
		Diagnosis delay time	—

POSSIBLE CAUSE

- ECM

FAIL-SAFE

Engine operating condition in fail-safe mode	
Fail safe mode	Vehicle behavior
ECM	Engine torque may be limited.

DTC CONFIRMATION PROCEDURE

1. PRECONDITIONING

1. Turn ignition switch OFF and wait at least 10 seconds.
2. Turn ignition switch ON.
3. Turn ignition switch OFF and wait at least 10 seconds.

TESTING CONDITION:

Before performing the following procedure, confirm that battery voltage is 11 V or more with ignition switch ON.

>> GO TO 2.

2. PERFORM DTC CONFIRMATION PROCEDURE

1. Turn ignition switch ON (engine stopped) and wait at least 10 seconds.
2. Turn ignition switch OFF and wait at least 10 seconds.
3. Turn ignition switch ON.
4. Check 1st trip DTC.

Is 1st trip DTC detected?

- YES >> Proceed to [EC-419, "Diagnosis Procedure"](#).
- NO-1 >> To check malfunction symptom before repair: Refer to [GI-41, "Intermittent Incident"](#).
- NO-2 >> Confirmation after repair: INSPECTION END

Diagnosis Procedure

INFOID:0000000011939909

1. PERFORM DTC CONFIRMATION PROCEDURE

1. Turn ignition switch ON.
2. Erase DTC.
3. Perform DTC confirmation procedure. Refer to [EC-419, "DTC Description"](#).

Is the 1st trip DTC P0607 displayed again?

- YES >> Replace ECM. Refer to [EC-586, "Removal and Installation"](#).
- NO >> INSPECTION END

P060A ECM

DTC Description

INFOID:000000011939910

DTC DETECTION LOGIC

DTC	CONSULT screen terms (Trouble diagnosis content)	DTC detection condition	
		Diagnosis condition	Ignition switch ON
P060A	CONTROL MODULE (Internal control module monitoring processor performance)	Signal (terminal)	—
		Threshold	ECM internal monitoring processor is malfunctioning
		Diagnosis delay time	—

POSSIBLE CAUSE

- ECM

FAIL-SAFE

Engine operating condition in fail-safe mode	
Fail safe mode	Vehicle behavior
ECM	<p>NOTE: Fail-safe may not occur depending on malfunction type.</p> <ul style="list-style-type: none"> • ECM stops the electric throttle control actuator control, throttle valve is maintained at a fixed opening (approx. 5 degrees) by the return spring. • The position of the following components is fixed. <ul style="list-style-type: none"> - Intake valve timing control solenoid valve - Exhaust valve timing control solenoid valve - Intake manifold runner control valve • Engine torque may be limited. • ASCD operation may be deactivated.

DTC CONFIRMATION PROCEDURE

1. PRECONDITIONING

1. Turn ignition switch OFF and wait at least 10 seconds.
2. Turn ignition switch ON.
3. Turn ignition switch OFF and wait at least 10 seconds.

TESTING CONDITION:

Before performing the following procedure, confirm that battery voltage is 11 V or more with ignition switch ON.

>> GO TO 2.

2. PERFORM DTC CONFIRMATION PROCEDURE

1. Start engine and wait at least 10 seconds.
2. Turn ignition switch OFF and wait at least 10 seconds.
3. Repeat step 1 and 2 for 5 times.
4. Turn ignition switch ON.
5. Check 1st trip DTC.

Is 1st trip DTC detected?

- YES >> Proceed to [EC-420, "Diagnosis Procedure"](#).
- NO-1 >> To check malfunction symptom before repair: Refer to [GI-41, "Intermittent Incident"](#).
- NO-2 >> Confirmation after repair: INSPECTION END

Diagnosis Procedure

INFOID:000000011939911

1. PERFORM DTC CONFIRMATION PROCEDURE

P060A ECM

[VQ35DE]

< DTC/CIRCUIT DIAGNOSIS >

1. Turn ignition switch ON.
2. Erase DTC.
3. Perform DTC confirmation procedure. Refer to [EC-420, "DTC Description"](#).

Is the 1st trip DTC P060A displayed again?

- YES >> Replace ECM. Refer to [EC-586, "Removal and Installation"](#).
NO >> INSPECTION END

A

EC

C

D

E

F

G

H

I

J

K

L

M

N

O

P

P060B ECM

DTC Description

INFOID:000000011939912

DTC DETECTION LOGIC

DTC	CONSULT screen terms (Trouble diagnosis content)	DTC detection condition	
		Diagnosis condition	Ignition switch ON
P060B	CONTROL MODULE (Internal control module A/D processing performance)	Signal (terminal)	—
		Threshold	ECM internal analog/digital conversion processing system is malfunctioning
		Diagnosis delay time	—

POSSIBLE CAUSE

- ECM

FAIL-SAFE

Engine operating condition in fail-safe mode	
Fail safe mode	Vehicle behavior
ECM	<p>NOTE: Fail-safe may not occur depending on malfunction type.</p> <ul style="list-style-type: none"> • ECM stops the electric throttle control actuator control, throttle valve is maintained at a fixed opening (approx. 5 degrees) by the return spring. • The position of the following components is fixed. <ul style="list-style-type: none"> - Intake valve timing control solenoid valve - Exhaust valve timing control solenoid valve - Intake manifold runner control valve • ASCD operation may be deactivated.

DTC CONFIRMATION PROCEDURE

1. PRECONDITIONING

1. Turn ignition switch OFF and wait at least 10 seconds.
2. Turn ignition switch ON.
3. Turn ignition switch OFF and wait at least 10 seconds.

TESTING CONDITION:

Before performing the following procedure, confirm that battery voltage is 11 V or more with ignition switch ON.

>> GO TO 2.

2. PERFORM DTC CONFIRMATION PROCEDURE

1. Turn ignition switch ON (engine stopped) and wait at least 10 seconds.
2. Turn ignition switch OFF and wait at least 10 seconds.
3. Turn ignition switch ON.
4. Check 1st trip DTC.

Is 1st trip DTC detected?

YES >> Proceed to [EC-422, "Diagnosis Procedure"](#).

NO-1 >> To check malfunction symptom before repair: Refer to [GI-41, "Intermittent Incident"](#).

NO-2 >> Confirmation after repair: INSPECTION END

Diagnosis Procedure

INFOID:000000011939913

1. PERFORM DTC CONFIRMATION PROCEDURE

1. Turn ignition switch ON.
2. Erase DTC.

P060B ECM

[VQ35DE]

< DTC/CIRCUIT DIAGNOSIS >

3. Perform DTC confirmation procedure. Refer to [EC-422. "DTC Description"](#).

Is the 1st trip DTC P060B displayed again?

YES >> Replace ECM. Refer to [EC-586. "Removal and Installation"](#).

NO >> INSPECTION END

A

EC

C

D

E

F

G

H

I

J

K

L

M

N

O

P

P0643 SENSOR POWER SUPPLY

< DTC/CIRCUIT DIAGNOSIS >

[VQ35DE]

P0643 SENSOR POWER SUPPLY

Description

INFOID:0000000011939914

ECM supplies a voltage of 5 V to some of the sensors systematically divided into 2 groups, respectively. Accordingly, when a short circuit develops in a sensor power source, a malfunction may occur simultaneously in the sensors belonging to the same group as the short-circuited sensor.

Sensor power supply 1

- Accelerator pedal position (APP) sensor 1
- Crankshaft position (CKP) sensor (POS)
- Exhaust valve timing (EVT) control position sensor
- Mass air flow (MAF) sensor
- Throttle position (TP) sensor
- Battery current sensor

NOTE:

If sensor power supply 1 circuit is malfunctioning, DTC P0643 is displayed.

Sensor power supply 2

- Accelerator pedal position (APP) sensor 2
- Camshaft position (CMP) sensor (PHASE)
- Engine oil pressure (EOP) sensor
- Refrigerant pressure sensor

DTC Description

INFOID:0000000011939915

DTC DETECTION LOGIC

ECM detects a voltage of power source for sensor is excessively low or high

DTC	CONSULT screen terms (Trouble diagnosis content)	DTC detection condition	
P0643	SENSOR POWER/CIRC (Sensor reference voltage "A" circuit high)	Diagnosis condition	Start engine and let it idle
		Signal (terminal)	Sensor power supply 1 circuit
		Threshold	ECM detects a voltage of power source for sensor is excessively low or high
		Diagnosis delay time	—

POSSIBLE CAUSE

- Sensor power supply 1 circuit
- Accelerator pedal position (APP) sensor 1
- Crankshaft position (CKP) sensor (POS)
- Exhaust valve timing (EVT) control position sensor
- Mass air flow (MAF) sensor
- Throttle position (TP) sensor
- Battery current sensor

FAIL-SAFE

Engine operating condition in fail-safe mode	
Fail safe mode	Vehicle behavior
Sensor power supply	<ul style="list-style-type: none">• ECM stops the electric throttle control actuator control, throttle valve is maintained at a fixed opening (approx. 5 degrees) by the return spring.• The position of the following components is fixed.<ul style="list-style-type: none">- Intake valve timing control solenoid valve- Exhaust valve timing control solenoid valve- Intake manifold runner control valve

DTC CONFIRMATION PROCEDURE

1. PRECONDITIONING

P0643 SENSOR POWER SUPPLY

[VQ35DE]

< DTC/CIRCUIT DIAGNOSIS >

If DTC Confirmation Procedure has been previously conducted, always perform the following procedure before conducting the next test.

1. Turn ignition switch OFF and wait at least 10 seconds.
2. Turn ignition switch ON.
3. Turn ignition switch OFF and wait at least 10 seconds.

TESTING CONDITION:

Before performing the following procedure, confirm that battery voltage is more than 8 V at idle.

>> GO TO 2.

2. PERFORM DTC CONFIRMATION PROCEDURE

1. Start the engine and let it idle for 1 second.
2. Check DTC.

Is DTC detected?

- YES >> Proceed to [EC-425. "Diagnosis Procedure"](#).
- NO-1 >> To check malfunction symptom before repair: Refer to [GI-41. "Intermittent Incident"](#).
- NO-2 >> Confirmation after repair: INSPECTION END

Diagnosis Procedure

INFOID:000000011939916

1. CHECK SENSOR POWER SUPPLY 1

1. Turn ignition switch OFF.
2. Disconnect ECM harness connector.
3. Turn ignition switch ON.
4. Check the voltage between ECM harness connector and ground.

+		-	Voltage (Approx.)
ECM			
Connector	Terminal	Ground	5 V
E10	146		
F13	28		
F14	87		
	98		

Is the inspection result normal?

- YES >> INSPECTION END
- NO >> GO TO 2.

2. CHECK SENSOR POWER SUPPLY 1 CIRCUIT

1. Turn ignition switch OFF.
2. Disconnect following sensor harness connector.
3. Check harness for short to power and to ground, between the following terminals.

ECM		Sensor		
Connector	Terminal	Name	Connector	Terminal
E10	146	APP sensor 1	E40	4
F13	28	CKP sensor (POS)	F30	1
		MAF sensor	F31	1
		EVT control position sensor (bank 1)	F82	1
		EVT control position sensor (bank 2)	F81	1
F14	87	Battery current sensor	F5	1
	98	TP sensor	F57	5

Is the inspection result normal?

- YES >> GO TO 3.

P0643 SENSOR POWER SUPPLY

[VQ35DE]

< DTC/CIRCUIT DIAGNOSIS >

NO >> Repair or replace error-detected parts.

3. CHECK COMPONENTS

Check the following.

- Accelerator pedal position (APP) sensor 1 (Refer to [EC-513. "Component Inspection".](#))
- Crankshaft position (CKP) sensor (POS) (Refer to [EC-328. "Component Inspection".](#))
- Exhaust valve timing (EVT) control position sensor [Refer to [EC-205. "Component Inspection \(Exhaust Valve Timing Control Position Sensor\)".](#)]
- Mass air flow (MAF) sensor (Refer to [EC-223. "Component Inspection".](#))
- Throttle position (TP) sensor (Refer to [EC-243. "Component Inspection".](#))
- Battery current sensor (Refer to [EC-445. "Component Inspection".](#))

Is the inspection result normal?

YES >> INSPECTION END

NO >> Replace malfunctioning component.

P0850 PNP SWITCH

< DTC/CIRCUIT DIAGNOSIS >

[VQ35DE]

P0850 PNP SWITCH

Description

INFOID:0000000011939917

When the selector lever position is P or N, park/neutral position (PNP) signal from the transmission range switch is sent to ECM.

DTC Description

INFOID:0000000011939918

DTC DETECTION LOGIC

The signal of the park/neutral position (PNP) signal does not change during driving after the engine is started.

DTC	CONSULT screen terms (Trouble diagnosis content)	DTC detection condition	
P0850	P-N POS SW/CIRCUIT (Park/Neutral switch input circuit)	Diagnosis condition	—
		Signal (terminal)	The park/neutral position (PNP) signal circuit
		Threshold	The signal does not change during driving after the engine is started
		Diagnosis delay time	—

POSSIBLE CAUSE

- Harness or connectors
[The park/neutral position (PNP) signal circuit is open or shorted.]
- TCM

FAIL-SAFE

Not applicable

DTC CONFIRMATION PROCEDURE

1.INSPECTION START

Will CONSULT be used?

Will CONSULT be used?

YES >> GO TO 2.

NO >> GO TO 5.

2.PRECONDITIONING

If DTC Confirmation Procedure has been previously conducted, always perform the following before conducting the next test.

1. Turn ignition switch OFF and wait at least 10 seconds.
2. Turn ignition switch ON.
3. Turn ignition switch OFF and wait at least 10 seconds.

>> GO TO 3.

3.CHECK PNP SIGNAL

With CONSULT

1. Turn ignition switch ON.
2. Select "P/N POSI SW" in "DATA MONITOR" mode with CONSULT. Then check the "P/N POSI SW" signal under the following conditions.

Position (Selector lever)	Known-good signal
N or P position	ON
Except above position	OFF

Is the inspection result normal?

YES >> GO TO 4.

NO >> Proceed to [EC-428, "Diagnosis Procedure"](#).

P0850 PNP SWITCH

< DTC/CIRCUIT DIAGNOSIS >

[VQ35DE]

4. PERFORM DTC CONFIRMATION PROCEDURE

1. Select "DATA MONITOR" mode with CONSULT.
2. Start engine and warm it up to normal operating temperature.
3. Maintain the following conditions for at least 50 consecutive seconds.

CAUTION:

Always drive vehicle at a safe speed.

ENG SPEED	1,100 - 6,375 rpm
COOLANT TEMP/S	More than 65°C (149°F)
B/FUEL SCHDL	2.2 - 31.8 msec
VHCL SPEED SE	More than 64 km/h (40 mph)
Selector lever	Suitable position

4. Check 1st trip DTC.

Is 1st trip DTC detected?

YES >> Proceed to [EC-428, "Diagnosis Procedure"](#).

NO >> INSPECTION END

5. PERFORM COMPONENT FUNCTION CHECK

1. Turn ignition switch ON.
2. Check the voltage between ECM harness connector terminals.

ECM				Condition	Voltage
+		-			
Connector	Terminal	Connector	Terminal		
F14	83	E10	152	Selector lever position	P or N Except above Approx. 0 V Battery voltage

Is the inspection result normal?

YES-1 >> To check malfunction symptom before repair: Refer to [GI-41, "Intermittent Incident"](#).

YES-2 >> Confirmation after repair: INSPECTION END

NO >> Proceed to [EC-428, "Diagnosis Procedure"](#).

Diagnosis Procedure

INFOID:000000011939919

1. CHECK TRANSMISSION RANGE SWITCH POWER SUPPLY

1. Turn ignition switch OFF.
2. Disconnect transmission range switch harness connector.
3. Turn ignition switch ON.
4. Check the voltage between transmission range switch harness connector and ground.

+		-	Voltage
Connector	Terminal		
F86	7	Ground	Battery voltage

Is the inspection result normal?

YES >> GO TO 3.

NO >> GO TO 2.

2. CHECK TRANSMISSION RANGE SWITCH POWER SUPPLY CIRCUIT

1. Turn ignition switch OFF.
2. Disconnect IPDM E/R harness connector.
3. Check the continuity between transmission range switch harness connector and IPDM E/R harness connector.

P0850 PNP SWITCH

[VQ35DE]

< DTC/CIRCUIT DIAGNOSIS >

Transmission range switch		IPDM E/R		Continuity
Connector	Terminal	Connector	Terminal	
F86	7	F50	61	Existed

4. Also check harness for short to ground.

Is the inspection result normal?

- YES >> Perform the trouble diagnosis for power supply circuit.
- NO >> Repair or replace error-detected parts.

3. CHECK TRANSMISSION RANGE SWITCH SIGNAL CIRCUIT

1. Turn ignition switch OFF.
2. Disconnect ECM harness connector.
3. Check the continuity between transmission range switch harness connector and ECM harness connector.

Transmission range switch		ECM		Continuity
Connector	Terminal	Connector	Terminal	
F86	10	F14	83	Existed

4. Also check harness for short to ground and to power.

Is the inspection result normal?

- YES >> GO TO 4.
- NO >> Repair or replace error-detected parts.

4. CHECK TRANSMISSION RANGE SWITCH

Check the transmission range switch. Refer to [TM-101, "Component Inspection"](#).

Is the inspection result normal?

- YES >> INSPECTION END
- NO >> There is malfunction of transmission range switch. Replace transaxle assembly. Refer to [TM-212, "Removal and Installation"](#).

P1078, P1084 EVT CONTROL POSITION SENSOR

< DTC/CIRCUIT DIAGNOSIS >

[VQ35DE]

P1078, P1084 EVT CONTROL POSITION SENSOR

DTC Description

INFOID:000000011939920

DTC DETECTION LOGIC

An excessively high or low voltage from the sensor is sent to ECM.

DTC	CONSULT screen terms (Trouble diagnosis content)	DTC detection condition	
P1078	EXH TIM SEN/CIRC-B1 [Exhaust valve timing (EVT) control position sensor (bank 1) circuit]	Diagnosis condition	Start engine and let it idle
		Signal (terminal)	Voltage signal transmitted from EVT control position sensor to ECM
		Threshold	An excessively high or low voltage from the sensor is sent to ECM
		Diagnosis delay time	—
P1084	EXH TIM SEN/CIRC-B2 [Exhaust valve timing (EVT) control position sensor (bank 2) circuit]	Diagnosis condition	Start engine and let it idle
		Signal (terminal)	Voltage signal transmitted from EVT control position sensor to ECM
		Threshold	An excessively high or low voltage from the sensor is sent to ECM
		Diagnosis delay time	—

POSSIBLE CAUSE

DTC P1078

- Harness or connectors [EVT control position sensor (bank 1) circuit is open or shorted.]
- EVT control position sensor
- Crankshaft position (CKP) sensor
- Camshaft position (CMP) sensor (bank 1)
- Accumulation of debris to the signal pick-up portion of the camshaft

DTC P1084

- Harness or connectors [EVT control position sensor (bank 2) circuit is open or shorted.]
- EVT control position sensor (bank 2)
- Each sensor, connected with sensor power supply 2 circuit
- Accumulation of debris to the signal pick-up portion of the camshaft

DTC CONFIRMATION PROCEDURE

1. CHECK DTC PRIORITY

If DTC P1078 or P0184 is displayed with DTC P0643, first perform the confirmation procedure (trouble diagnosis) for DTC P0643.

Is applicable DTC detected?

- YES >> Perform diagnosis of applicable. Refer to [EC-424. "DTC Description"](#).
- NO >> GO TO 2.

2. PRECONDITIONING

If DTC Confirmation Procedure has been previously conducted, always perform the following procedure before conducting the next test.

1. Turn ignition switch OFF and wait at least 10 seconds.
2. Turn ignition switch ON.
3. Turn ignition switch OFF and wait at least 10 seconds.

>> GO TO 3.

3. PERFORM DTC CONFIRMATION PROCEDURE

1. Start engine and let it idle for 10 seconds.
2. Check 1st trip DTC.

P1078, P1084 EVT CONTROL POSITION SENSOR

< DTC/CIRCUIT DIAGNOSIS >

[VQ35DE]

Is 1st trip DTC detected?

- YES >> Proceed to [EC-431, "Diagnosis Procedure"](#).
- NO-1 >> To check malfunction symptom before repair: Refer to [GI-41, "Intermittent Incident"](#).
- NO-2 >> Confirmation after repair: INSPECTION END

Diagnosis Procedure

INFOID:000000011939921

1. CHECK DTC PRIORITY

If DTC P1078 or P1084 is displayed with DTC P0643, first perform the confirmation procedure (trouble diagnosis) for DTC P0643.

Is applicable DTC detected?

- YES >> Perform diagnosis of applicable. Refer to [EC-424, "DTC Description"](#).
- NO >> GO TO 2.

2. CHECK EXHAUST VALVE TIMING (EVT) CONTROL POSITION SENSOR POWER SUPPLY

1. Disconnect EVT control position sensor harness connector.
2. Turn ignition switch ON.
3. Check the voltage between EVT control position sensor harness connector and ground.

DTC	+			-	Voltage (V)
	EVT control position sensor				
	Bank	Connector	Terminal		
P1078	1	F82	1	Ground	Approx. 5
P1084	2	F81	1		

Is the inspection result normal?

- YES >> GO TO 4.
- NO >> GO TO 3.

3. CHECK EVT CONTROL POSITION SENSOR POWER SUPPLY CIRCUIT

1. Turn ignition switch OFF.
2. Disconnect ECM harness connector.
3. Check the continuity between EVT control position sensor harness connector and ECM harness connector.

DTC	EVT control position sensor			ECM		Continuity
	Bank	Connector	Terminal	Connector	Terminal	
P1078	1	F82	1	F13	28	Existed
P1084	2	F81	1			

Is the inspection result normal?

- YES >> INSPECTION END
- NO >> Repair or replace error-detected parts.

4. CHECK EVT CONTROL POSITION SENSOR GROUND CIRCUIT

1. Turn ignition switch OFF.
2. Disconnect ECM harness connector.
3. Check the continuity between EVT control position sensor harness connector and ECM harness connector.

DTC	EVT control position sensor			ECM		Continuity
	Bank	Connector	Terminal	Connector	Terminal	
P1078	1	F82	2	F13	40	Existed
P1084	2	F81	2			

4. Also check harness for short to ground and short to power.

P1078, P1084 EVT CONTROL POSITION SENSOR

[VQ35DE]

< DTC/CIRCUIT DIAGNOSIS >

Is the inspection result normal?

YES >> GO TO 5.

NO >> Repair open circuit, short to ground or short to power in harness or connectors.

5. CHECK EVT CONTROL POSITION SENSOR INPUT SIGNAL CIRCUIT

1. Check the continuity between exhaust valve timing control position sensor harness connector and ECM harness connector.

DTC	+			-		Continuity
	EVT control position sensor			ECM		
	Bank	Connector	Terminal	Connector	Terminal	
P1078	1	F82	3	F13	37	Existed
P1084	2	F81	3		39	

2. Also check harness for short to ground and short to power.

Is the inspection result normal?

YES >> GO TO 6.

NO >> Repair open circuit, short to ground or short to power in harness or connectors.

6. CHECK EVT CONTROL POSITION SENSOR

Check exhaust valve timing control position sensor. Refer to [EC-432, "Component Inspection"](#).

Is the inspection result normal?

YES >> GO TO 7.

NO >> Replace malfunctioning EVT control position sensor. Refer to [EM-51, "Exploded View"](#).

7. CHECK CKP SENSOR

Check Crankshaft position sensor. Refer to [EC-328, "Component Inspection"](#).

Is the inspection result normal?

YES >> GO TO 8.

NO >> Replace crankshaft position sensor. Refer to [EM-39, "Exploded View"](#).

8. CHECK CMP SENSOR

Check camshaft position sensor. Refer to [EC-334, "Component Inspection"](#).

Is the inspection result normal?

YES >> GO TO 9.

NO >> Replace malfunctioning camshaft position sensor. Refer to [EM-51, "Exploded View"](#).

9. CHECK CAMSHAFT (EXH)

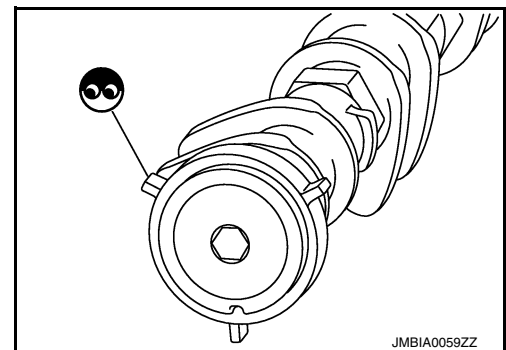
Check the following.

- Accumulation of debris to the signal plate of camshaft rear end
- Chipping signal plate of camshaft rear end

Is the inspection result normal?

YES >> INSPECTION END

NO >> Remove debris and clean the signal plate of camshaft rear end or replace camshaft. Refer to [EM-79, "Removal and Installation"](#).



INFOID:000000011939922

Component Inspection

1. EXHAUST VALVE TIMING CONTROL POSITION SENSOR - 1

1. Turn ignition switch OFF.
2. Disconnect exhaust valve timing control position sensor harness connector.
3. Loosen the fixing bolt of the sensor.

P1078, P1084 EVT CONTROL POSITION SENSOR

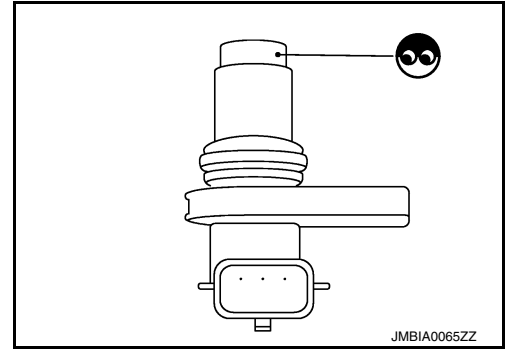
[VQ35DE]

< DTC/CIRCUIT DIAGNOSIS >

4. Remove the sensor. Refer to [EM-51. "Exploded View"](#).
5. Visually check the sensor for chipping.

Is the inspection result normal?

- YES >> GO TO 2.
 NO >> Replace malfunctioning exhaust valve timing control position sensor. Refer to [EM-51. "Exploded View"](#).



2. EXHAUST VALVE TIMING CONTROL POSITION SENSOR - 2

Check resistance exhaust valve timing control position sensor terminals as follows.

Exhaust valve timing control position sensor		Condition		Resistance
+	-			
Terminal				
1	2	Temperature	25°C (77°F)	Except 0 Ω or ∞ Ω
1	3			
2	3			

Is the inspection result normal?

- YES >> INSPECTION END
 NO >> Replace malfunctioning exhaust valve timing control position sensor. Refer to [EM-51. "Exploded View"](#).

A
EC
C
D
E
F
G
H
I
J
K
L
M
N
O
P

P1148, P1168 CLOSED LOOP CONTROL

< DTC/CIRCUIT DIAGNOSIS >

[VQ35DE]

P1148, P1168 CLOSED LOOP CONTROL

DTC Description

INFOID:000000011939923

DTC DETECTION LOGIC

DTC	CONSULT screen terms (Trouble diagnosis content)	DTC detection condition	
P1148	CLOSED LOOP-B1 (Closed loop bank 1)	Diagnosis condition	—
		Signal (terminal)	—
		Threshold	The closed loop control function for bank 1 does not operate even when vehicle is being driven in the specified condition
		Diagnosis delay time	—
P1168	CLOSED LOOP-B2 (Closed loop bank 2)	Diagnosis condition	—
		Signal (terminal)	—
		Threshold	The closed loop control function for bank 2 does not operate even when vehicle is being driven in the specified condition
		Diagnosis delay time	—

POSSIBLE CAUSE

- Harness or connectors
(The A/F sensor 1 circuit is open or shorted.)
- A/F sensor 1
- A/F sensor 1 heater

FAIL-SAFE

Not applicable

DTC CONFIRMATION PROCEDURE

1. CHECK DTC PRIORITY

If DTC P1148 or P1168 is displayed with another DTC for A/F sensor 1, perform the trouble diagnosis for the corresponding DTC.

Is applicable DTC detected?

- YES >> Perform diagnosis of applicable. Refer to [EC-107. "DTC Index"](#).
NO >> INSPECTION END

P1212 TCS COMMUNICATION LINE

< DTC/CIRCUIT DIAGNOSIS >

[VQ35DE]

P1212 TCS COMMUNICATION LINE

Description

INFOID:0000000011939924

This CAN communication line is used to control the smooth engine operation during the TCS operation. Pulse signals are exchanged between ECM and "ABS actuator and electric unit (control unit)".

Be sure to erase the malfunction information such as DTC not only for "ABS actuator and electric unit (control unit)" but also for ECM after TCS related repair.

DTC Description

INFOID:0000000011939925

DTC DETECTION LOGIC

Freeze frame data is not stored in the ECM for this self-diagnosis.

ECM cannot receive the information from "ABS actuator and electric unit (control unit)" continuously.

DTC	CONSULT screen terms (Trouble diagnosis content)	DTC detection condition	
P1212	TCS C/U FUNCTN (TCS control unit function)	Diagnosis condition	Start engine and let it idle
		Signal (terminal)	CAN communication signal
		Threshold	ECM cannot receive the information from "ABS actuator and electric unit (control unit)" continuously
		Diagnosis delay time	—

POSSIBLE CAUSE

- Harness or connectors
(The CAN communication line is open or shorted.)
- ABS actuator and electric unit (control unit)
- Dead (Weak) battery

FAIL-SAFE

Not applicable

DTC CONFIRMATION PROCEDURE

1. CHECK DTC PRIORITY

If DTC P1212 is displayed with DTC UXXXX or P0607, first perform the confirmation procedure for DTC UXXXX or P0607.

Is applicable DTC detected?

- YES >> Perform diagnosis of applicable.
- DTC UXXXX: Refer to [EC-107, "DTC Index"](#).
 - DTC P0607: Refer to [EC-419, "DTC Description"](#).
- NO >> GO TO 2.

2. PRECONDITIONING

If DTC Confirmation Procedure has been previously conducted, always perform the following before conducting the next test

1. Turn ignition switch OFF and wait at least 10 seconds.
2. Turn ignition switch ON.
3. Turn ignition switch OFF and wait at least 10 seconds.

TESTING CONDITION:

Before performing the following procedure, confirm that battery voltage is more than 10.5 V at idle.

>> GO TO 3.

3. PERFORM DTC CONFIRMATION PROCEDURE

1. Start engine and let it idle for at least 10 seconds.
2. Check 1st trip DTC.

Is 1st trip DTC detected?

P1212 TCS COMMUNICATION LINE

[VQ35DE]

< DTC/CIRCUIT DIAGNOSIS >

- YES >> Proceed to [EC-436, "Diagnosis Procedure"](#).
NO-1 >> To check malfunction symptom before repair: Refer to [GI-41, "Intermittent Incident"](#).
NO-2 >> Confirmation after repair: INSPECTION END

Diagnosis Procedure

INFOID:0000000011939926

1. CHECK DTC PRIORITY

If DTC P1212 is displayed with DTC UXXXX or P0607, first perform the confirmation procedure for DTC UXXXX or P0607.

Is applicable DTC detected?

- YES >> Perform diagnosis of applicable.
- DTC UXXXX: Refer to [EC-107, "DTC Index"](#).
 - DTC P0607: Refer to [EC-419, "DTC Description"](#).
- NO >> GO TO 2.

2. CHECK BRAKE CONTROL SYSTEM

Perform the trouble diagnosis for brake control system.

- >> Proceed to [BRC-60, "Work Flow"](#) (without ICC), [BRC-243, "Work Flow"](#) (with ICC).

P1217 ENGINE OVER TEMPERATURE

< DTC/CIRCUIT DIAGNOSIS >

[VQ35DE]

P1217 ENGINE OVER TEMPERATURE

DTC Description

INFOID:000000011939927

DTC DETECTION LOGIC

If the cooling fan or another component in the cooling system malfunctions, engine coolant temperature will rise.

When the engine coolant temperature reaches an abnormally high temperature condition, a malfunction is indicated.

DTC	CONSULT screen terms (Trouble diagnosis content)	DTC detection condition		
P1217	ENG OVER TEMP [Engine over temperature (Overheat)]	1	Diagnosis condition	—
			Signal (terminal)	—
			Threshold	Cooling fan does not operate properly (Overheat)
			Diagnosis delay time	—
		2	Diagnosis condition	—
			Signal (terminal)	—
			Threshold	Cooling fan system does not operate properly (Overheat)
			Diagnosis delay time	—
		3	Diagnosis condition	—
			Signal (terminal)	—
			Threshold	Engine coolant was not added to the system using the proper filling method
			Diagnosis delay time	—
		4	Diagnosis condition	—
			Signal (terminal)	—
			Threshold	Engine coolant is not within the specified range
			Diagnosis delay time	—

CAUTION:

When a malfunction is indicated, be sure to replace the coolant. Refer to [CO-12, "Changing Engine Coolant"](#). Also, replace the engine oil. Refer to [LU-9, "Changing Engine Oil"](#).

1. Fill radiator with coolant up to specified level with a filling speed of 2 liters per minute. Be sure to use coolant with the proper mixture ratio. Refer to [MA-17, "FOR USA AND CANADA : Anti-Freeeze Coolant Mixture Ratio"](#) (For USA AND CANADA), [MA-19, "FOR MEXICO : Engine Coolant Mixture Ratio"](#) (For Mexico).
2. After refilling coolant, run engine to ensure that no water-flow noise is emitted.

POSSIBLE CAUSE

- Harness or connectors
(Cooling fan circuit is open or shorted.)
- IPDM E/R
- Cooling fan motor
- Radiator hose
- Radiator
- Radiator cap
- Reservoir tank
- Water pump
- Thermostat
- Water control valve

FAIL-SAFE

Not applicable

P1217 ENGINE OVER TEMPERATURE

[VQ35DE]

< DTC/CIRCUIT DIAGNOSIS >

DTC CONFIRMATION PROCEDURE

1. CHECK DTC PRIORITY

If DTC P1217 is displayed with DTC UXXXX or P0607, first perform the confirmation procedure for DTC UXXXX or P0607.

Is applicable DTC detected?

- YES >> Perform diagnosis of applicable.
- DTC UXXXX: Refer to [EC-107, "DTC Index"](#).
 - DTC P0607: Refer to [EC-419, "DTC Description"](#).
- NO >> GO TO 2.

2. PERFORM COMPONENT FUNCTION CHECK-I

WARNING:

Never remove the radiator cap when the engine is hot. Serious burns could be caused by high pressure fluid escaping from the radiator.

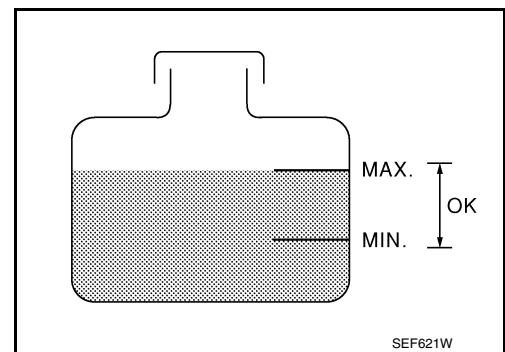
Wrap a thick cloth around cap. Carefully remove the cap by turning it a quarter turn to allow built-up pressure to escape. Then turn the cap all the way off.

Check the coolant level in the reservoir tank and radiator.

Allow engine to cool before checking coolant level.

Is the coolant level in the reservoir tank and/or radiator below the proper range?

- YES >> Proceed to [EC-438, "Diagnosis Procedure"](#).
- NO >> GO TO 3.



3. PERFORM COMPONENT FUNCTION CHECK-II

Confirm whether customer filled the coolant or not.

Did customer fill the coolant?

- YES >> Proceed to [EC-438, "Diagnosis Procedure"](#).
- NO >> GO TO 4.

4. PERFORM COMPONENT FUNCTION CHECK-III

With CONSULT

1. Turn ignition switch ON.
2. Perform "FAN DUTY CONTROL" in "ACTIVE TEST" mode of "ENGINE" using CONSULT.
3. Check that cooling fan speed varies according to the percentage.

Without CONSULT

1. Activate IPDM E/R auto active test and check cooling fan motors operation. Refer to [PCS-9, "Diagnosis Description"](#).
2. Check that cooling fan operates.

Is the inspection result normal?

- YES-1 >> To check malfunction symptom before repair: Refer to [GI-41, "Intermittent Incident"](#).
- YES-2 >> Confirmation after repair: INSPECTION END
- NO >> Proceed to [EC-438, "Diagnosis Procedure"](#).

Diagnosis Procedure

INFOID:000000011939928

1. CHECK DTC PRIORITY

If DTC P1217 is displayed with DTC UXXXX or P0607, first perform the confirmation procedure for DTC UXXXX or P0607.

Is applicable DTC detected?

- YES >> Perform diagnosis of applicable.
- DTC UXXXX: Refer to [EC-107, "DTC Index"](#).
 - DTC P0607: Refer to [EC-419, "DTC Description"](#).

P1217 ENGINE OVER TEMPERATURE

[VQ35DE]

< DTC/CIRCUIT DIAGNOSIS >

NO >> GO TO 2.

2. CHECK COOLING FAN OPERATION

With CONSULT

1. Turn ignition switch ON.
2. Perform "FAN DUTY CONTROL" in "ACTIVE TEST" mode of "ENGINE" using CONSULT.
3. Check that cooling fan speed varies according to the percentage.

Without CONSULT

1. Activate IPDM E/R auto active test and check cooling fan motors operation. Refer to [PCS-9, "Diagnosis Description"](#).
2. Check that cooling fan operates.

Is the inspection result normal?

YES >> GO TO 3.

NO >> Proceed to [EC-541, "Diagnosis Procedure"](#).

3. CHECK COOLING SYSTEM FOR LEAK-I

Check cooling system for leak. Refer to [CO-10, "System Inspection"](#).

Is leakage detected?

YES >> GO TO 4.

NO >> GO TO 5.

4. CHECK COOLING SYSTEM FOR LEAK-II

Check the following for leak.

- Hose (Refer to [CO-10, "System Inspection"](#).)
- Radiator (Refer to [CO-10, "System Inspection"](#).)
- Water pump (Refer to [CO-18, "Removal and Installation"](#).)

>> Repair or replace malfunctioning part.

5. CHECK RADIATOR CAP

Check radiator cap. Refer to [CO-10, "System Inspection"](#).

Is the inspection result normal?

YES >> GO TO 6.

NO >> Replace radiator cap. Refer to [CO-14, "Exploded View"](#).

6. CHECK THERMOSTAT

Check thermostat. Refer to [CO-23, "Removal and Installation"](#).

Is the inspection result normal?

YES >> GO TO 7.

NO >> Replace thermostat. Refer to [CO-23, "Removal and Installation"](#).

7. CHECK ENGINE COOLANT TEMPERATURE SENSOR

Refer to [EC-237, "Component Inspection"](#).

Is the inspection result normal?

YES >> GO TO 8.

NO >> Replace engine coolant temperature sensor. Refer to [CO-25, "Exploded View"](#).

8. OVERHEATING CAUSE ANALYSIS

If the cause cannot be isolated, check the [CO-6, "Troubleshooting Chart"](#).

>> INSPECTION END

A

EC

C

D

E

F

G

H

I

J

K

L

M

N

O

P

P1225 TP SENSOR

< DTC/CIRCUIT DIAGNOSIS >

[VQ35DE]

P1225 TP SENSOR

DTC Description

INFOID:000000011939929

DTC DETECTION LOGIC

DTC	CONSULT screen terms (Trouble diagnosis content)	DTC detection condition	
		Diagnosis condition	Ignition switch ON
P1225	CTP LEARNING-B1 (Closed throttle position learning performance)	Signal (terminal)	Electric throttle control actuator signal
		Threshold	Closed throttle position learning value is excessively low
		Diagnosis delay time	—

POSSIBLE CAUSE

- Electric throttle control actuator (TP sensor 1 and 2)

FAIL-SAFE

Not applicable

DTC CONFIRMATION PROCEDURE

1.PRECONDITIONING

If DTC Confirmation Procedure has been previously conducted, always perform the following before conducting the next test.

1. Turn ignition switch OFF and wait at least 10 seconds.
2. Turn ignition switch ON.
3. Turn ignition switch OFF and wait at least 10 seconds.

TESTING CONDITION:

Before performing the following procedure, confirm that battery voltage is more than 10 V at idle.

>> GO TO 2.

2.PERFORM DTC CONFIRMATION PROCEDURE

1. Turn ignition switch ON.
2. Turn ignition switch OFF and wait at least 10 seconds.
3. Turn ignition switch ON.
4. Check 1st trip DTC.

Is 1st trip DTC detected?

YES >> Proceed to [EC-440, "Diagnosis Procedure"](#).

NO-1 >> To check malfunction symptom before repair: Refer to [GI-41, "Intermittent Incident"](#).

NO-2 >> Confirmation after repair: INSPECTION END

Diagnosis Procedure

INFOID:000000011939930

1.CHECK ELECTRIC THROTTLE CONTROL ACTUATOR VISUALLY

1. Turn ignition switch OFF.
2. Remove the intake air duct. Refer to [EM-26, "Removal and Installation"](#).

P1225 TP SENSOR

[VQ35DE]

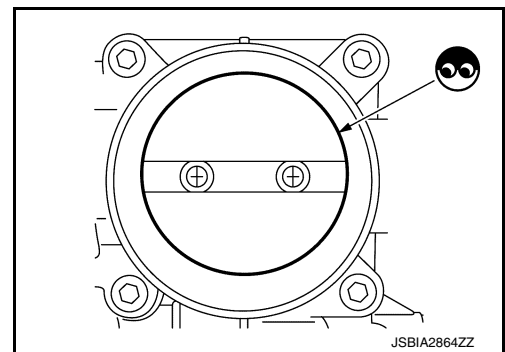
< DTC/CIRCUIT DIAGNOSIS >

3. Check if foreign matter is caught between the throttle valve and the housing.

Is the inspection result normal?

YES >> GO TO 2.

NO >> Remove the foreign matter and clean the electric throttle control actuator inside, and then perform Throttle Valve Closed Position Learning. Refer to [EC-159](#), "[Description](#)".



2. REPLACE ELECTRIC THROTTLE CONTROL ACTUATOR

1. Replace electric throttle control actuator. Refer to [EM-27](#), "[Removal and Installation](#)".
2. Perform Idle Air Volume Learning. Refer to [EC-160](#), "[Description](#)".

>> INSPECTION END

P1226 TP SENSOR

< DTC/CIRCUIT DIAGNOSIS >

[VQ35DE]

P1226 TP SENSOR

DTC Description

INFOID:000000011939931

DTC DETECTION LOGIC

DTC	CONSULT screen terms (Trouble diagnosis content)	DTC detection condition	
		Diagnosis condition	Ignition switch ON
P1226	CTP LEARNING-B1 (Closed throttle position learning performance)	Signal (terminal)	Electric throttle control actuator signal
		Threshold	Closed throttle position learning is not performed successfully, repeatedly
		Diagnosis delay time	—

POSSIBLE CAUSE

- Electric throttle control actuator (TP sensor 1 and 2)

FAIL-SAFE

Not applicable

DTC CONFIRMATION PROCEDURE

1.PRECONDITIONING

If DTC Confirmation Procedure has been previously conducted, always perform the following before conducting the next test.

1. Turn ignition switch OFF and wait at least 10 seconds.
2. Turn ignition switch ON.
3. Turn ignition switch OFF and wait at least 10 seconds.

TESTING CONDITION:

Before performing the following procedure, confirm that battery voltage is more than 10 V at idle.

>> GO TO 2.

2.PERFORM DTC CONFIRMATION PROCEDURE

1. Turn ignition switch ON.
2. Turn ignition switch OFF and wait at least 10 seconds.
3. Turn ignition switch ON.
4. Repeat steps 2 and 3 for 32 times.
5. Check 1st trip DTC.

Is 1st trip DTC detected?

YES >> Proceed to [EC-442, "Diagnosis Procedure"](#).

NO-1 >> To check malfunction symptom before repair: Refer to [GI-41, "Intermittent Incident"](#).

NO-2 >> Confirmation after repair: INSPECTION END

Diagnosis Procedure

INFOID:000000011939932

1.CHECK ELECTRIC THROTTLE CONTROL ACTUATOR VISUALLY

1. Turn ignition switch OFF.
2. Remove the intake air duct. Refer to [EM-26, "Removal and Installation"](#).

P1226 TP SENSOR

[VQ35DE]

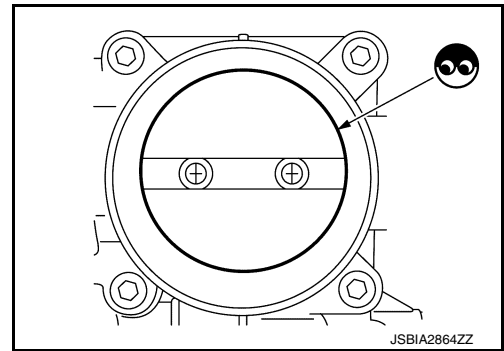
< DTC/CIRCUIT DIAGNOSIS >

3. Check if foreign matter is caught between the throttle valve and the housing.

Is the inspection result normal?

YES >> GO TO 2.

NO >> Remove the foreign matter and clean the electric throttle control actuator inside, and then perform Throttle Valve Closed Position Learning. Refer to [EC-159](#), "[Description](#)".



2. REPLACE ELECTRIC THROTTLE CONTROL ACTUATOR

1. Replace electric throttle control actuator. Refer to [EM-27](#), "[Removal and Installation](#)".
2. Perform Idle Air Volume Learning. Refer to [EC-160](#), "[Description](#)".

>> INSPECTION END

P1550 BATTERY CURRENT SENSOR

< DTC/CIRCUIT DIAGNOSIS >

[VQ35DE]

P1550 BATTERY CURRENT SENSOR

DTC Description

INFOID:000000012307650

DTC DETECTION LOGIC

DTC	CONSULT screen terms (Trouble diagnosis content)	DTC detection condition	
P1550	BAT CURRENT SENSOR (Battery current sensor circuit range/ performance)	Diagnosis condition	Start engine and let it idle
		Signal (terminal)	Voltage signal transmitted from battery current sensor to ECM
		Threshold	The output voltage of the battery current sensor remains within the specified range
		Diagnosis delay time	—

POSSIBLE CAUSE

- Harness and connectors (The sensor circuit is open or shorted.)
- Battery current sensor

FAIL-SAFE

Not applicable

DTC CONFIRMATION PROCEDURE

1.CHECK DTC PRIORITY

If DTC P1550 is displayed with DTC P0643, first perform the trouble diagnosis for DTC P0643.

Is applicable DTC detected?

- YES >> Perform diagnosis of applicable. Refer to [EC-424. "DTC Description"](#).
NO >> GO TO 2.

2.PRECONDITIONING

If DTC Confirmation Procedure has been previously conducted, always perform the following before conducting the next test.

1. Turn ignition switch OFF and wait at least 10 seconds.
2. Turn ignition switch ON.
3. Turn ignition switch OFF and wait at least 10 seconds.

TESTING CONDITION:

Before performing the following procedure, confirm that battery voltage is more than 8 V at idle.

>> GO TO 3.

3.PERFORM DTC CONFIRMATION PROCEDURE

1. Start engine and wait at least 10 seconds.
2. Check 1st trip DTC.

Is 1st trip DTC detected?

- YES >> Proceed to [EC-444. "Diagnosis Procedure"](#).
NO-1 >> To check malfunction symptom before repair: Refer to [GI-41. "Intermittent Incident"](#).
NO-2 >> Confirmation after repair: INSPECTION END

Diagnosis Procedure

INFOID:000000012307651

1.CHECK DTC PRIORITY

If DTC P1550 is displayed with DTC P0643, first perform the trouble diagnosis for DTC P0643.

Is applicable DTC detected?

- YES >> Perform diagnosis of applicable. Refer to [EC-424. "DTC Description"](#).
NO >> GO TO 2.

2.CHECK BATTERY CURRENT SENSOR POWER SUPPLY

P1550 BATTERY CURRENT SENSOR

[VQ35DE]

< DTC/CIRCUIT DIAGNOSIS >

1. Disconnect battery current sensor harness connector.
2. Turn ignition switch ON.
3. Check the voltage between battery current sensor harness connector and ground.

+		-	Voltage (V)
Battery current sensor			
Connector	Terminal		
F5	1	Ground	Approx. 5

Is the inspection result normal?

YES >> GO TO 3.

NO >> Repair open circuit, short to ground or short to power in harness or connectors.

3.CHECK BATTERY CURRENT SENSOR GROUND CIRCUIT

1. Turn ignition switch OFF.
2. Disconnect ECM harness connector.
3. Check the continuity between battery current sensor harness connector and ECM harness connector.

+		-		Continuity
Battery current sensor		ECM		
Connector	Terminal	Connector	Terminal	
F5	3	F14	64	Existed

4. Also check harness for short to ground and short to power.

Is the inspection result normal?

YES >> GO TO 4.

NO >> Repair open circuit, short to ground or short to power in harness or connectors.

4.CHECK BATTERY CURRENT SENSOR INPUT SIGNAL CIRCUIT

1. Check the continuity between battery current sensor harness connector and ECM harness connector.

+		-		Continuity
Battery current sensor		ECM		
Connector	Terminal	Connector	Terminal	
F5	4	F14	69	Existed

2. Also check harness for short to ground and short to power.

Is the inspection result normal?

YES >> GO TO 5.

NO >> Repair open circuit, short to ground or short to power in harness or connectors.

5.CHECK BATTERY CURRENT SENSOR

Check battery current sensor. Refer to [EC-445. "Component Inspection"](#).

Is the inspection result normal?

YES >> INSPECTION END

NO >> Replace battery negative cable assembly.

Component Inspection

INFOID:000000012307652

1.CHECK BATTERY CURRENT SENSOR

1. Turn ignition switch OFF.
2. Reconnect harness connectors disconnected.

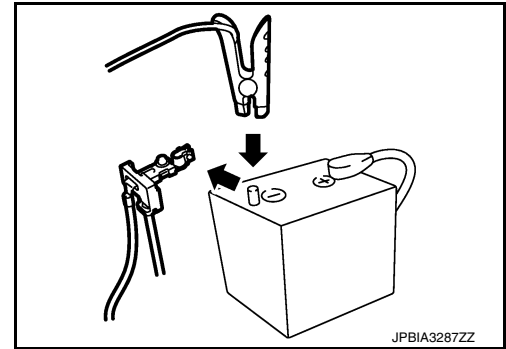
P1550 BATTERY CURRENT SENSOR

[VQ35DE]

< DTC/CIRCUIT DIAGNOSIS >

3. Disconnect battery negative cable.
4. Install jumper cable between battery negative terminal and body ground.
5. Turn ignition switch ON.
6. Check the voltage between ECM harness connector terminals under the following conditions.

Connector	ECM		Voltage (V)
	+	-	
	Terminal	Terminal	
F14	69	64	Approx. 2.5



Before measuring the terminal voltage, confirm that the battery is fully charged. Refer to [PG-92, "How to Handle Battery"](#).

Is the inspection result normal?

YES >> INSPECTION END

NO >> Replace battery negative cable assembly.

P1551, P1552 BATTERY CURRENT SENSOR

< DTC/CIRCUIT DIAGNOSIS >

[VQ35DE]

P1551, P1552 BATTERY CURRENT SENSOR

DTC Description

INFOID:000000012307653

DTC DETECTION LOGIC

DTC	CONSULT screen terms (Trouble diagnosis content)	DTC detection condition	
P1551	BAT CURRENT SENSOR (Battery current sensor circuit low input)	Diagnosis condition	Ignition switch ON
		Signal (terminal)	Voltage signal transmitted from battery current sensor to ECM
		Threshold	An excessively low voltage from the sensor is sent to ECM
		Diagnosis delay time	—
P1552	BAT CURRENT SENSOR (Battery current sensor circuit high input)	Diagnosis condition	Ignition switch ON
		Signal (terminal)	Voltage signal transmitted from battery current sensor to ECM
		Threshold	An excessively high voltage from the sensor is sent to ECM
		Diagnosis delay time	—

POSSIBLE CAUSE

- Harness and connectors (The sensor circuit is open or shorted.)
- Battery current sensor

FAIL-SAFE

Not applicable

DTC CONFIRMATION PROCEDURE

1. CHECK DTC PRIORITY

If DTC P1551 or P1552 is displayed with DTC P0643, first perform the trouble diagnosis for DTC P0643.

Is applicable DTC detected?

- YES >> Perform diagnosis of applicable. Refer to [EC-424, "DTC Description"](#).
 NO >> GO TO 2.

2. PRECONDITIONING

If DTC Confirmation Procedure has been previously conducted, always perform the following before conducting the next test.

1. Turn ignition switch OFF and wait at least 10 seconds.
2. Turn ignition switch ON.
3. Turn ignition switch OFF and wait at least 10 seconds.

TESTING CONDITION:

Before performing the following procedure, confirm that battery voltage is more than 8 V with ignition switch ON

>> GO TO 3.

3. PERFORM DTC CONFIRMATION PROCEDURE

1. Turn ignition switch ON and wait at least 10 seconds.
2. Check 1st trip DTC.

Is 1st trip DTC detected?

- YES >> Proceed to [EC-448, "Diagnosis Procedure"](#).
 NO-1 >> To check malfunction symptom before repair: Refer to [GI-41, "Intermittent Incident"](#).
 NO-2 >> Confirmation after repair: INSPECTION END

P1551, P1552 BATTERY CURRENT SENSOR

[VQ35DE]

< DTC/CIRCUIT DIAGNOSIS >

INFOID:000000012307654

Diagnosis Procedure

1. CHECK DTC PRIORITY

If DTC P1551 or P1552 is displayed with DTC P0643, first perform the trouble diagnosis for DTC P0643.

Is applicable DTC detected?

YES >> Perform diagnosis of applicable. Refer to [EC-424. "DTC Description"](#).

NO >> GO TO 2.

2. CHECK BATTERY CURRENT SENSOR POWER SUPPLY

1. Disconnect battery current sensor harness connector.
2. Turn ignition switch ON.
3. Check the voltage between battery current sensor harness connector and ground.

+		-	Voltage (V)
Battery current sensor			
Connector	Terminal		
F5	1	Ground	Approx. 5

Is the inspection result normal?

YES >> GO TO 3.

NO >> Repair open circuit, short to ground or short to power in harness or connectors.

3. CHECK BATTERY CURRENT SENSOR GROUND CIRCUIT

1. Turn ignition switch OFF.
2. Disconnect ECM harness connector.
3. Check the continuity between battery current sensor harness connector and ECM harness connector.

+		-		Continuity
Battery current sensor		ECM		
Connector	Terminal	Connector	Terminal	
F5	3	F14	64	Existed

4. Also check harness for short to ground and short to power.

Is the inspection result normal?

YES >> GO TO 4.

NO >> Repair open circuit, short to ground or short to power in harness or connectors.

4. CHECK BATTERY CURRENT SENSOR INPUT SIGNAL CIRCUIT

1. Check the continuity between battery current sensor harness connector and ECM harness connector.

+		-		Continuity
Battery current sensor		ECM		
Connector	Terminal	Connector	Terminal	
F5	4	F14	69	Existed

2. Also check harness for short to ground and short to power.

Is the inspection result normal?

YES >> GO TO 5.

NO >> Repair open circuit, short to ground or short to power in harness or connectors.

5. CHECK BATTERY CURRENT SENSOR

Check battery current sensor. Refer to [EC-455. "Component Inspection"](#).

Is the inspection result normal?

YES >> INSPECTION END

NO >> Replace battery negative cable assembly.

P1551, P1552 BATTERY CURRENT SENSOR

< DTC/CIRCUIT DIAGNOSIS >

[VQ35DE]

INFOID:000000012307655

Component Inspection

1. CHECK BATTERY CURRENT SENSOR

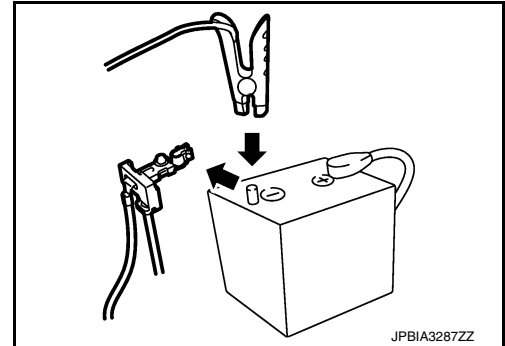
1. Turn ignition switch OFF.
2. Reconnect harness connectors disconnected.
3. Disconnect battery negative cable.
4. Install jumper cable between battery negative terminal and body ground.
5. Turn ignition switch ON.
6. Check the voltage between ECM harness connector terminals under the following conditions.

Connector	ECM		Voltage (V)
	+	-	
	Terminal	Terminal	
F14	69	64	Approx. 2.5

Before measuring the terminal voltage, confirm that the battery is fully charged. Refer to [PG-92, "How to Handle Battery"](#).

Is the inspection result normal?

- YES >> INSPECTION END
NO >> Replace battery negative cable assembly.



A
EC
C
D
E
F
G
H
I
J
K
L
M
N
O
P

P1553 BATTERY CURRENT SENSOR

< DTC/CIRCUIT DIAGNOSIS >

[VQ35DE]

P1553 BATTERY CURRENT SENSOR

DTC Description

INFOID:000000012307656

DTC DETECTION LOGIC

DTC	CONSULT screen terms (Trouble diagnosis content)	DTC detection condition	
P1553	BAT CURRENT SENSOR (Battery current sensor performance)	Diagnosis condition	Start engine and let it idle
		Signal (terminal)	Voltage signal transmitted from battery current sensor to ECM
		Threshold	The signal voltage transmitted from the sensor to ECM is higher than the amount of the maximum power generation
		Diagnosis delay time	—

POSSIBLE CAUSE

- Harness and connectors (The sensor circuit is open or shorted.)
- Battery current sensor

FAIL-SAFE

Not applicable

DTC CONFIRMATION PROCEDURE

1.CHECK DTC PRIORITY

If DTC P1553 is displayed with DTC P0643, first perform the trouble diagnosis for DTC P0643.

Is applicable DTC detected?

- YES >> Perform diagnosis of applicable. Refer to [EC-424. "DTC Description"](#).
NO >> GO TO 2.

2.PRECONDITIONING

If DTC Confirmation Procedure has been previously conducted, always perform the following before conducting the next test.

1. Turn ignition switch OFF and wait at least 10 seconds.
2. Turn ignition switch ON.
3. Turn ignition switch OFF and wait at least 10 seconds.

TESTING CONDITION:

Before performing the following procedure, confirm that battery voltage is more than 8 V at idle.

>> GO TO 3.

3.PERFORM DTC CONFIRMATION PROCEDURE

1. Start engine and wait at least 10 seconds.
2. Check 1st trip DTC.

Is 1st trip DTC detected?

- YES >> Proceed to [EC-450. "Diagnosis Procedure"](#).
NO-1 >> To check malfunction symptom before repair: Refer to [GI-41. "Intermittent Incident"](#).
NO-2 >> Confirmation after repair: INSPECTION END

Diagnosis Procedure

INFOID:000000012307657

1.CHECK DTC PRIORITY

If DTC P1550 is displayed with DTC P0643, first perform the trouble diagnosis for DTC P0643.

Is applicable DTC detected?

- YES >> Perform diagnosis of applicable. Refer to [EC-424. "DTC Description"](#).
NO >> GO TO 2.

P1553 BATTERY CURRENT SENSOR

< DTC/CIRCUIT DIAGNOSIS >

[VQ35DE]

2. CHECK BATTERY CURRENT SENSOR POWER SUPPLY

1. Disconnect battery current sensor harness connector.
2. Turn ignition switch ON.
3. Check the voltage between battery current sensor harness connector and ground.

+		-	Voltage (V)
Battery current sensor			
Connector	Terminal		
F5	1	Ground	Approx. 5

Is the inspection result normal?

YES >> GO TO 3.

NO >> Repair open circuit, short to ground or short to power in harness or connectors.

3. CHECK BATTERY CURRENT SENSOR GROUND CIRCUIT

1. Turn ignition switch OFF.
2. Disconnect ECM harness connector.
3. Check the continuity between battery current sensor harness connector and ECM harness connector.

+		-		Continuity
Battery current sensor		ECM		
Connector	Terminal	Connector	Terminal	
F5	3	F14	64	Existed

4. Also check harness for short to ground and short to power.

Is the inspection result normal?

YES >> GO TO 4.

NO >> Repair open circuit, short to ground or short to power in harness or connectors.

4. CHECK BATTERY CURRENT SENSOR INPUT SIGNAL CIRCUIT

1. Check the continuity between battery current sensor harness connector and ECM harness connector.

+		-		Continuity
Battery current sensor		ECM		
Connector	Terminal	Connector	Terminal	
F5	4	F14	69	Existed

2. Also check harness for short to ground and short to power.

Is the inspection result normal?

YES >> GO TO 5.

NO >> Repair open circuit, short to ground or short to power in harness or connectors.

5. CHECK BATTERY CURRENT SENSOR

Check battery current sensor. Refer to [EC-455. "Component Inspection"](#).

Is the inspection result normal?

YES >> INSPECTION END

NO >> Replace battery negative cable assembly.

Component Inspection

INFOID:0000000012307658

1. CHECK BATTERY CURRENT SENSOR

1. Turn ignition switch OFF.
2. Reconnect harness connectors disconnected.

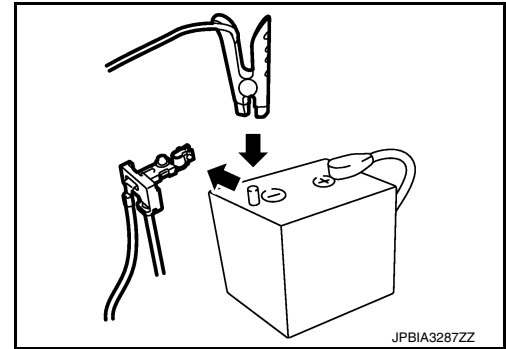
P1553 BATTERY CURRENT SENSOR

[VQ35DE]

< DTC/CIRCUIT DIAGNOSIS >

3. Disconnect battery negative cable.
4. Install jumper cable between battery negative terminal and body ground.
5. Turn ignition switch ON.
6. Check the voltage between ECM harness connector terminals under the following conditions.

Connector	ECM		Voltage (V)
	+	-	
	Terminal	Terminal	
F14	69	64	Approx. 2.5



Before measuring the terminal voltage, confirm that the battery is fully charged. Refer to [PG-92, "How to Handle Battery"](#).

Is the inspection result normal?

- YES >> INSPECTION END
NO >> Replace battery negative cable assembly.

P1554 BATTERY CURRENT SENSOR

< DTC/CIRCUIT DIAGNOSIS >

[VQ35DE]

P1554 BATTERY CURRENT SENSOR

DTC Description

INFOID:000000012307659

DTC DETECTION LOGIC

NOTE:

If DTC P1554 is displayed with DTC P0643, first perform the trouble diagnosis for DTC P0643. Refer to [EC-424, "DTC Description"](#).

DTC	CONSULT screen terms (Trouble diagnosis content)	DTC detection condition	
		Diagnosis condition	
P1554	BAT CURRENT SENSOR (Battery current sensor performance)	Signal (terminal)	Voltage signal transmitted from battery current sensor to ECM
		Threshold	The output voltage of the battery current sensor is lower than the specified value while the battery voltage is high enough
		Diagnosis delay time	—
		Diagnosis condition	—

POSSIBLE CAUSE

- Harness and connectors (The sensor circuit is open or shorted.)
- Battery current sensor

FAIL-SAFE

Not applicable

DTC CONFIRMATION PROCEDURE

1. CHECK DTC PRIORITY

If DTC P1554 is displayed with DTC P0643, first perform the trouble diagnosis for DTC P0643.

Is applicable DTC detected?

YES >> Perform diagnosis of applicable. Refer to [EC-424, "DTC Description"](#).

NO >> GO TO 2.

2. PRECONDITIONING

NOTE:

Use component function check to check the overall function of the battery current sensor circuit. During this check, a 1st trip DTC might not be confirmed.

TESTING CONDITION:

- Before performing the following procedure, confirm that battery voltage is more than 12.8 V at idle.
- Before performing the following procedure, confirm that all load switches and A/C switch are turned OFF.

>> GO TO 3.

3. PERFORM COMPONENT FUNCTION CHECK

With CONSULT

1. Start engine and let it idle.
2. Select "BAT CUR SEN" in "DATA MONITOR" mode with CONSULT.
3. Check "BAT CUR SEN" indication for 10 seconds.
"BAT CUR SEN" should be above 2.3 V at least once.

Without CONSULT

1. Start engine and let it idle.
2. Check voltage between ECM harness connector terminals under the following conditions.

P1554 BATTERY CURRENT SENSOR

< DTC/CIRCUIT DIAGNOSIS >

[VQ35DE]

ECM			Voltage (V)
Connector	+	-	
	Terminal		
F14	69	64	Above 2.3 at least once

Is the inspection result normal?

- YES-1 >> To check malfunction symptom before repair: Refer to [GI-41, "Intermittent Incident"](#).
- YES-2 >> Confirmation after repair: INSPECTION END
- NO >> Proceed to [EC-454, "Diagnosis Procedure"](#)

Diagnosis Procedure

INFOID:000000012307661

1. CHECK DTC PRIORITY

If DTC P1554 is displayed with DTC P0643, first perform the trouble diagnosis for DTC P0643.

Is applicable DTC detected?

- YES >> Perform diagnosis of applicable. Refer to [EC-424, "DTC Description"](#).
- NO >> GO TO 2.

2. CHECK BATTERY CURRENT SENSOR POWER SUPPLY

1. Disconnect battery current sensor harness connector.
2. Turn ignition switch ON.
3. Check the voltage between battery current sensor harness connector and ground.

+		-	Voltage (V)
Battery current sensor			
Connector	Terminal		
F5	1	Ground	Approx. 5

Is the inspection result normal?

- YES >> GO TO 3.
- NO >> Repair open circuit, short to ground or short to power in harness or connectors.

3. CHECK BATTERY CURRENT SENSOR GROUND CIRCUIT

1. Turn ignition switch OFF.
2. Disconnect ECM harness connector.
3. Check the continuity between battery current sensor harness connector and ECM harness connector.

+		-		Continuity
Battery current sensor		ECM		
Connector	Terminal	Connector	Terminal	
F5	3	F14	64	Existed

4. Also check harness for short to ground and short to power.

Is the inspection result normal?

- YES >> GO TO 4.
- NO >> Repair open circuit, short to ground or short to power in harness or connectors.

4. CHECK BATTERY CURRENT SENSOR INPUT SIGNAL CIRCUIT

1. Check the continuity between battery current sensor harness connector and ECM harness connector.

+		-		Continuity
Battery current sensor		ECM		
Connector	Terminal	Connector	Terminal	
F5	4	F14	69	Existed

P1554 BATTERY CURRENT SENSOR

[VQ35DE]

< DTC/CIRCUIT DIAGNOSIS >

2. Also check harness for short to ground and short to power.

Is the inspection result normal?

YES >> GO TO 5.

NO >> Repair open circuit, short to ground or short to power in harness or connectors.

5.CHECK BATTERY CURRENT SENSOR

Check battery current sensor. Refer to [EC-455, "Component Inspection"](#).

Is the inspection result normal?

YES >> INSPECTION END

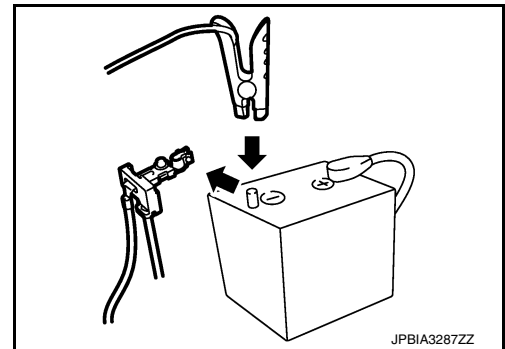
NO >> Replace battery negative cable assembly.

Component Inspection

INFOID:000000012307662

1.CHECK BATTERY CURRENT SENSOR

1. Turn ignition switch OFF.
2. Reconnect harness connectors disconnected.
3. Disconnect battery negative cable.
4. Install jumper cable between battery negative terminal and body ground.
5. Turn ignition switch ON.
6. Check the voltage between ECM harness connector terminals under the following conditions.



Connector	ECM		Voltage (V)
	+	-	
	Terminal	Terminal	
F14	69	64	Approx. 2.5

Before measuring the terminal voltage, confirm that the battery is fully charged. Refer to [PG-92, "How to Handle Battery"](#).

Is the inspection result normal?

YES >> INSPECTION END

NO >> Replace battery negative cable assembly.

P1556, P1557 BATTERY TEMPERATURE SENSOR

< DTC/CIRCUIT DIAGNOSIS >

[VQ35DE]

P1556, P1557 BATTERY TEMPERATURE SENSOR

DTC Description

INFOID:000000012307663

DTC DETECTION LOGIC

DTC	CONSULT screen terms (Trouble diagnosis content)	DTC detection condition	
P1556	BAT TMP SEN/CIRC (Battery temperature sensor circuit low input)	Diagnosis condition	Start engine and let it idle
		Signal (terminal)	Voltage signal transmitted from battery temperature sensor to ECM
		Threshold	Signal voltage from battery temperature sensor remains 0.16 V or less for 5 seconds or more
		Diagnosis delay time	—
P1557	BAT TMP SEN/CIRC (Battery temperature sensor circuit high input)	Diagnosis condition	Start engine and let it idle
		Signal (terminal)	Voltage signal transmitted from battery temperature sensor to ECM
		Threshold	Signal voltage from battery temperature sensor remains 4.84 V or more for 5 seconds or more
		Diagnosis delay time	—

DTC No.	Trouble diagnosis name (Trouble diagnosis content)	DTC detecting condition	Possible cause
P1556	BAT TMP SEN/CIRC (Battery temperature sensor circuit low input)	Signal voltage from Battery temperature sensor remains 0.16V or less for 5 seconds or more.	<ul style="list-style-type: none"> • Harness or connectors [Battery current sensor (Battery temperature sensor) circuit is shorted.] [Camshaft position sensor (PHESE) circuit is open or shorted.] (Accelerator pedal position sensor 2 circuit is shorted.) (Throttle position sensor circuit is shorted.) • Battery current sensor (Battery temperature sensor) • Camshaft position sensor (PHESE) • Accelerator pedal position sensor • Throttle position sensor
P1557	BAT TMP SEN/CIRC (Battery temperature sensor circuit high input)	Signal voltage from Battery temperature sensor remains 4.84V or more for 5 seconds or more.	

POSSIBLE CAUSE

- Harness and connectors
 - [Battery current sensor (Battery temperature sensor) circuit is shorted.]
 - [Camshaft position sensor (PHESE) circuit is open or shorted.]
 - (Accelerator pedal position sensor 2 circuit is shorted.)
 - (Throttle position sensor circuit is shorted.)
- Battery current sensor (Battery temperature sensor)
- Camshaft position sensor (PHESE)
- Accelerator pedal position sensor
- Throttle position sensor

FAIL-SAFE

Not applicable

DTC CONFIRMATION PROCEDURE

1. PRECONDITIONING

1. Turn ignition switch OFF and wait at least 10 seconds.
2. Turn ignition switch ON.

P1556, P1557 BATTERY TEMPERATURE SENSOR

< DTC/CIRCUIT DIAGNOSIS >

[VQ35DE]

3. Turn ignition switch OFF and wait at least 10 seconds.

TESTING CONDITION:

Before performing the following procedure, confirm that battery voltage is 10 V or more at idle.

>> GO TO 2.

2.PERFORM DTC CONFIRMATION PROCEDURE

1. Start the engine and let it idle at least 10 seconds.
2. Check 1st trip DTC.

Is 1st trip DTC detected?

- YES >> Proceed to [EC-457. "Diagnosis Procedure"](#).
NO-1 >> To check malfunction symptom before repair: Refer to [GI-41. "Intermittent Incident"](#).
NO-2 >> Confirmation after repair: INSPECTION END

Diagnosis Procedure

INFOID:000000012307664

1.CHECK BATTERY TEMPERATURE SENSOR INPUT SIGNAL

1. Disconnect battery current sensor harness connector.
2. Turn ignition switch ON.
3. Check the voltage between battery current sensor harness connector and ground.

+		-	Voltage (V)
Battery current sensor			
Connector	Terminal		
F5	1	Ground	Approx. 5

Is the inspection result normal?

- YES >> GO TO 3.
NO >> GO TO 2.

2.CHECK BATTERY TEMPERATURE SENSOR INPUT SIGNAL CIRCUIT

1. Turn ignition switch ON.
2. Disconnect ECM harness connector.
3. Check the continuity between battery current sensor harness connector and ECM harness connector.

+		-		Continuity
Battery current sensor		ECM		
Connector	Terminal	Connector	Terminal	
F5	2	F14	68	Existed

Is the inspection result normal?

- YES >> Perform the trouble diagnosis for power supply circuit.
NO >> Repair or replace error-detected parts.

3.CHECK BATTERY TEMPERATURE SENSOR GROUND CIRCUIT

1. Turn ignition switch OFF.
2. Disconnect ECM harness connector.
3. Check the continuity between battery current sensor harness connector and ECM harness connector.

+		-		Continuity
Battery current sensor		ECM		
Connector	Terminal	Connector	Terminal	
F5	3	F14	64	Existed

4. Also check harness for short to ground and short to power.

Is the inspection result normal?

P1556, P1557 BATTERY TEMPERATURE SENSOR

[VQ35DE]

< DTC/CIRCUIT DIAGNOSIS >

- YES >> GO TO 4.
NO >> Repair open circuit, short to ground or short to power in harness or connectors.

4.CHECK BATTERY TEMPERATURE SENSOR

Check battery temperature sensor. Refer to [EC-458. "Component Inspection \(Battery Temperature Sensor\)"](#).

Is the inspection result normal?

- YES >> INSPECTION END
NO >> Replace battery negative cable assembly.

Component Inspection (Battery Temperature Sensor)

INFOID:000000012307665

1.CHECK BATTERY TEMPERATURE SENSOR

1. Turn ignition switch OFF.
2. Disconnect battery current sensor.
3. Check the resistance between battery current sensor connector terminals.

Battery current sensor		Resistance
+	-	
Terminal		
2	3	continuity with the resistance value 100 Ω or more

Is the inspection result normal?

- YES >> INSPECTION END
NO >> Replace battery negative cable assembly.

P1564 ASCD STEERING SWITCH

< DTC/CIRCUIT DIAGNOSIS >

[VQ35DE]

P1564 ASCD STEERING SWITCH

DTC Description

INFOID:0000000011939933

DTC DETECTION LOGIC

1. An excessively high voltage signal from the ASCD steering switch is sent to ECM.
2. ECM detects that input signal from the ASCD steering switch is out of the specified range.
3. ECM detects that the ASCD steering switch is stuck ON.

DTC	CONSULT screen terms (Trouble diagnosis content)	DTC detection condition		
P1564	ASCW SW (ASC steering switch)	1	Diagnosis condition	—
			Signal (terminal)	ASC steering switch signal
			Threshold	An excessively high voltage signal from the ASC steering switch is sent to ECM
			Diagnosis delay time	—
		2	Diagnosis condition	—
			Signal (terminal)	ASC steering switch signal
			Threshold	ECM detects that input signal from the ASC steering switch is out of the specified range
			Diagnosis delay time	—
		3	Diagnosis condition	—
			Signal (terminal)	ASC steering switch signal
			Threshold	ECM detects that the ASC steering switch is stuck ON
			Diagnosis delay time	—

POSSIBLE CAUSE

- Harness or connectors
(The switch circuit is open or shorted.)
- ASC steering switch
- ECM

FAIL-SAFE

Not applicable

DTC CONFIRMATION PROCEDURE

1. CHECK DTC PRIORITY

If DTC P1564 is displayed with DTC P0605, first perform the confirmation procedure for DTC P0605.

Is applicable DTC detected?

- YES >> Perform diagnosis of applicable. Refer to [EC-415, "DTC Description"](#).
 NO >> GO TO 2.

2. PRECONDITIONING

If DTC Confirmation Procedure has been previously conducted, always perform the following before conducting the next test.

1. Turn ignition switch OFF and wait at least 10 seconds.
2. Turn ignition switch ON.
3. Turn ignition switch OFF and wait at least 10 seconds.

>> GO TO 3.

3. PERFORM DTC CONFIRMATION PROCEDURE

1. Turn ignition switch ON and wait at least 10 seconds.
2. Press MAIN switch for at least 10 seconds, then release it and wait at least 10 seconds.

P1564 ASCD STEERING SWITCH

[VQ35DE]

< DTC/CIRCUIT DIAGNOSIS >

3. Press CANCEL switch for at least 10 seconds, then release it and wait at least 10 seconds.
4. Press RESUME/ACCELERATE switch for at least 10 seconds, then release it and wait at least 10 seconds.
5. Press SET/COAST switch for at least 10 seconds, then release it and wait at least 10 seconds.
6. Check DTC.

Is DTC detected?

- YES >> Proceed to [EC-460, "Diagnosis Procedure"](#).
 NO-1 >> To check malfunction symptom before repair: Refer to [GI-41, "Intermittent Incident"](#).
 NO-2 >> Confirmation after repair: INSPECTION END

Diagnosis Procedure

INFOID:000000011939934

1.CHECK DTC PRIORITY

If DTC P1564 is displayed with DTC P0605, first perform the confirmation procedure for DTC P0605.

Is applicable DTC detected?

- YES >> Perform diagnosis of applicable. Refer to [EC-415, "DTC Description"](#).
 NO >> GO TO 2.

2.CHECK ASCD STEERING SWITCH CIRCUIT

Ⓟ With CONSULT

1. Turn ignition switch ON.
2. Select "MAIN SW", "CANCEL SW", "RESUME/ACC SW" and "SET SW" in "DATA MONITOR" mode with CONSULT.
3. Check each item indication under the following conditions.

Monitor item	Condition		Indication
MAIN SW	MAIN switch	Pressed	ON
		Released	OFF
CANCEL SW	CANCEL switch	Pressed	ON
		Released	OFF
RESUME/ACC SW	RES/+ switch	Pressed	ON
		Released	OFF
SET SW	SET/- switch	Pressed	ON
		Released	OFF

ⓧ Without CONSULT

1. Turn ignition switch ON.
2. Check the voltage between ECM harness connector terminals under the following conditions.

ECM			Condition	Voltage (V)
Con- nector	+	-		
	Terminal	Terminal		
E10	134	135	MAIN switch: Pressed	Approx. 0
			CANCEL switch: Pressed	Approx. 1
			SET/- switch: Pressed	Approx. 1.46
			RES/+ switch: Pressed	Approx. 2.26

Is the inspection result normal?

- YES >> INSPECTION END
 NO >> GO TO 3.

3.CHECK ASCD STEERING SWITCH GROUND CIRCUIT

1. Turn ignition switch OFF.
2. Disconnect ECM harness connector.
3. Disconnect combination switch harness connector M149.

P1564 ASCD STEERING SWITCH

[VQ35DE]

< DTC/CIRCUIT DIAGNOSIS >

4. Check the continuity between combination switch and ECM harness connector.

Combination switch		ECM		Continuity
Terminal	Connector	Terminal		
18	E10	135		Existed

5. Also check harness for short to ground and short to power.

Is the inspection result normal?

YES >> GO TO 4.

NO >> Repair or replace error-detected parts.

4.CHECK ASCD STEERING SWITCH INPUT SIGNAL CIRCUIT

1. Check the continuity between combination switch and ECM harness connector.

Combination switch		ECM		Continuity
Terminal	Connector	Terminal		
15	E10	134		Existed

2. Also check harness for short to ground and short to power.

Is the inspection result normal?

YES >> GO TO 5.

NO >> Repair or replace error-detected parts.

5.CHECK ASCD STEERING SWITCH

Check ASCD steering switch. Refer to [EC-461. "Component Inspection"](#).

Is the inspection result normal?

YES >> INSPECTION END

NO >> Replace ASCD steering switch. Refer to [AV-184. "Removal and Installation"](#).

Component Inspection

INFOID:000000011939935

1.CHECK ASCD STEERING SWITCH

- Turn ignition switch OFF.
- Disconnect combination switch (spiral cable) harness connector.
- Check resistance between combination switch harness connector terminals as per the following.

Combination switch		Condition	Resistance (Ω)
Connector	Terminals		
M149	15 and 18	MAIN switch: Pressed	Approx. 0
		CANCEL switch: Pressed	Approx. 250
		SET/- switch: Pressed	Approx. 660
		RES/+ switch: Pressed	Approx. 1,490
		All ASCD steering switches: Released	Approx. 3,980

Is the inspection result normal?

YES >> INSPECTION END

NO >> Replace ASCD steering switch. Refer to [AV-184. "Removal and Installation"](#).

P1564 ICC STEERING SWITCH

< DTC/CIRCUIT DIAGNOSIS >

[VQ35DE]

P1564 ICC STEERING SWITCH

DTC Description

INFOID:000000011939936

DTC DETECTION LOGIC

1. An excessively high voltage signal from the ICC steering switch is sent to ECM.
2. ECM detects that input signal from the ICC steering switch is out of the specified range.
3. ECM detects that the ICC steering switch is stuck ON.

DTC	CONSULT screen terms (Trouble diagnosis content)	DTC detection condition		
P1564	ASCD SW (ICC steering switch)	1	Diagnosis condition	—
			Signal (terminal)	ICC steering switch signal
			Threshold	An excessively high voltage signal from the ICC steering switch is sent to ECM
			Diagnosis delay time	—
		2	Diagnosis condition	—
			Signal (terminal)	ICC steering switch signal
			Threshold	ECM detects that input signal from the ICC steering switch is out of the specified range
			Diagnosis delay time	—
		3	Diagnosis condition	—
			Signal (terminal)	ICC steering switch signal
			Threshold	ECM detects that the ICC steering switch is stuck ON
			Diagnosis delay time	—

POSSIBLE CAUSE

- Harness or connectors
(The switch circuit is open or shorted.)
- ICC steering switch
- ECM

FAIL-SAFE

Not applicable

DTC CONFIRMATION PROCEDURE

1. CHECK DTC PRIORITY

If DTC P1564 is displayed with DTC P0605, first perform the confirmation procedure for DTC P0605.

Is applicable DTC detected?

- YES >> Perform diagnosis of applicable. Refer to [EC-415, "DTC Description"](#).
 NO >> GO TO 2.

2. PRECONDITIONING

If DTC Confirmation Procedure has been previously conducted, always perform the following before conducting the next test.

1. Turn ignition switch OFF and wait at least 10 seconds.
2. Turn ignition switch ON.
3. Turn ignition switch OFF and wait at least 10 seconds.

>> GO TO 3.

3. PERFORM DTC CONFIRMATION PROCEDURE

1. Turn ignition switch ON and wait at least 10 seconds.
2. Press MAIN switch for at least 10 seconds, then release it and wait at least 10 seconds.

P1564 ICC STEERING SWITCH

[VQ35DE]

< DTC/CIRCUIT DIAGNOSIS >

3. Press CANCEL switch for at least 10 seconds, then release it and wait at least 10 seconds.
4. Press RES/+ switch for at least 10 seconds, then release it and wait at least 10 seconds.
5. Press SET/- switch for at least 10 seconds, then release it and wait at least 10 seconds.
6. Press DISTANCE switch for at least 10 seconds, then release it and wait at least 10 seconds.
7. Check DTC.

Is DTC detected?

- YES >> Proceed to [EC-463, "Diagnosis Procedure"](#).
- NO-1 >> To check malfunction symptom before repair: Refer to [GI-41, "Intermittent Incident"](#).
- NO-2 >> Confirmation after repair: INSPECTION END

Diagnosis Procedure

INFOID:0000000011939937

1. CHECK DTC PRIORITY

If DTC P1564 is displayed with DTC P0605, first perform the confirmation procedure for DTC P0605.

Is applicable DTC detected?

- YES >> Perform diagnosis of applicable. Refer to [EC-415, "DTC Description"](#).
- NO >> GO TO 2.

2. CHECK ICC STEERING SWITCH CIRCUIT

1. Turn ignition switch ON.
2. Check the voltage between ECM harness connector terminals under the following conditions.

Connector	ECM		Condition	Voltage (V)
	+	-		
	Terminal			
E10	134	135	MAIN switch: Pressed	Approx. 0
			CANCEL switch: Pressed	Approx. 1.18
			DISTANCE switch: Pressed	Approx. 1.51
			SET/- switch: Pressed	Approx. 2.00
			RES/+ switch: Pressed	Approx. 2.71

Is the inspection result normal?

- YES >> INSPECTION END
- NO >> GO TO 3.

3. CHECK ICC STEERING SWITCH GROUND CIRCUIT

1. Turn ignition switch OFF.
2. Disconnect ECM harness connector.
3. Disconnect combination switch harness connector M149.
4. Check the continuity between combination switch and ECM harness connector.

Combination switch Terminal	ECM		Continuity
	Connector	Terminal	
18	E10	135	Existed

5. Also check harness for short to ground and short to power.

Is the inspection result normal?

- YES >> GO TO 4.
- NO >> Repair or replace error-detected parts.

4. CHECK ICC STEERING SWITCH INPUT SIGNAL CIRCUIT

1. Check the continuity between combination switch and ECM harness connector.

P1564 ICC STEERING SWITCH

[VQ35DE]

< DTC/CIRCUIT DIAGNOSIS >

Combination switch		ECM		Continuity
Terminal	Connector	Terminal		
15	E10	134		Existed

2. Also check harness for short to ground and short to power.

Is the inspection result normal?

YES >> GO TO 5.

NO >> Repair or replace error-detected parts.

5.CHECK ICC STEERING SWITCH

Check ICC steering switch. Refer to [EC-464, "Component Inspection"](#).

Is the inspection result normal?

YES >> INSPECTION END

NO >> Replace ICC steering switch. Refer to [EC-15, "ENGINE CONTROL SYSTEM : Component Parts Location"](#).

Component Inspection

INFOID:000000011939938

1.CHECK ICC STEERING SWITCH

1. Turn ignition switch OFF.
2. Disconnect combination switch (spiral cable) harness connector M149.
3. Check resistance between combination switch harness connector terminals under the following conditions.

Combination switch		Condition	Resistance (Ω)
Connector	Terminals		
M149	15 and 18	MAIN switch: Pressed	Approx. 0
		CANCEL switch: Pressed	Approx. 310
		DISTANCE switch: Pressed	Approx. 740
		SET/- switch: Pressed	Approx. 1,410
		RES/+ switch: Pressed	Approx. 2,590
		All ICC steering switches: Released	Approx. 5,460

Is the inspection result normal?

YES >> INSPECTION END

NO >> Replace ICC steering switch. Refer to [AV-184, "Removal and Installation"](#).

P1568 ICC FUNCTION

DTC Description

INFOID:000000011939939

DTC DETECTION LOGIC

ECM detects a difference between signals from ADAS control unit is out of specified range.

DTC	CONSULT screen terms (Trouble diagnosis content)	DTC detection condition	
P1568	ICC COMMAND VALUE (ICC function)	Diagnosis condition	—
		Signal (terminal)	ADAS control unit signal
		Threshold	ECM detects a difference between signals from ADAS control unit is out of specified range
		Diagnosis delay time	—

POSSIBLE CAUSE

- Harness or connectors (The CAN communication line is open or shorted.)
- ADAS control unit
- ECM

FAIL-SAFE

Not applicable

DTC CONFIRMATION PROCEDURE

1. CHECK DTC PRIORITY

If DTC P1568 is displayed with DTC UXXXX, P0605 or P0607, first perform the confirmation procedure for DTC UXXXX, P0605 or P0607.

Is applicable DTC detected?

- YES >> Perform diagnosis of applicable.
- DTC UXXXX: Refer to [EC-107, "DTC Index"](#).
 - DTC P0605: Refer to [EC-415, "DTC Description"](#).
 - DTC P0607: Refer to [EC-419, "DTC Description"](#).

NO >> GO TO 2.

2. PRECONDITIONING

If DTC Confirmation Procedure has been previously conducted, always perform the following procedure before conducting the next test.

1. Turn ignition switch OFF and wait at least 10 seconds.
2. Turn ignition switch ON.
3. Turn ignition switch OFF and wait at least 10 seconds.

TESTING CONDITION:

Step 4 may be conducted with the drive wheels lifted in the shop or by driving the vehicle. If a road test is expected to be easier, it is unnecessary to lift the vehicle.

>> GO TO 3.

3. PERFORM DTC CONFIRMATION PROCEDURE

1. Turn ignition switch ON.
2. Press MAIN switch on ICC steering switch.
3. Drive the vehicle at more than 40 km/h (25 MPH).

CAUTION:

Always drive vehicle at a safe speed.

4. Press SET/- switch.
5. Check DTC.

Is DTC detected?

- YES >> Proceed to [EC-466, "Diagnosis Procedure"](#).

P1568 ICC FUNCTION

< DTC/CIRCUIT DIAGNOSIS >

[VQ35DE]

- NO-1 >> To check malfunction symptom before repair: Refer to [GI-41, "Intermittent Incident"](#).
NO-2 >> Confirmation after repair: INSPECTION END

Diagnosis Procedure

INFOID:0000000011939940

1. CHECK DTC PRIORITY

If DTC P1568 is displayed with DTC UXXXX, P0605 or P0607, first perform the confirmation procedure for DTC UXXXX, P0605 or P0607.

Is applicable DTC detected?

- YES >> Perform diagnosis of applicable.
- DTC UXXXX: Refer to [EC-107, "DTC Index"](#).
 - DTC P0605: Refer to [EC-415, "DTC Description"](#).
 - DTC P0607: Refer to [EC-419, "DTC Description"](#).
- NO >> GO TO 2.

2. REPLACE ADAS CONTROL UNIT

1. Replace ADAS control unit. Refer to [DAS-80, "Removal and Installation"](#).
2. Perform Additional Service When Replacing ADAS Control Unit. Refer to [DAS-36, "Description"](#).
3. Check DTC of ADAS control unit. Refer to [DAS-14, "CONSULT Function \(ICC/ADAS\)"](#).

>> INSPECTION END

P1572 ASCD BRAKE SWITCH

< DTC/CIRCUIT DIAGNOSIS >

[VQ35DE]

P1572 ASCD BRAKE SWITCH

Description

INFOID:0000000011939941

When the brake pedal is depressed, brake pedal position switch is turned OFF and stop lamp switch is turned ON. ECM detects the state of the brake pedal by this input of two kinds (ON/OFF signal). Refer to [EC-41, "AUTOMATIC SPEED CONTROL DEVICE \(ASCD\) : System Description"](#) for the ASCD function.

DTC Description

INFOID:0000000011939942

DTC DETECTION LOGIC

NOTE:

This self-diagnosis has the one trip detection logic. When malfunction A is detected, DTC is not stored in ECM memory. And in that case, 1st trip DTC and 1st trip freeze frame data are displayed. 1st trip DTC is erased when ignition switch OFF. And even when malfunction A is detected in two consecutive trips, DTC is not stored in ECM memory.

- When the vehicle speed is above 30 km/h (19 MPH), ON signals from the stop lamp switch and the brake pedal position switch are sent to the ECM at the same time.
- Brake pedal position switch signal is not sent to ECM for extremely long time while the vehicle is driving.

DTC	CONSULT screen terms (Trouble diagnosis content)	DTC detection condition		
P1572	ASCD BRAKE SW (Brake pedal position switch)	1	Diagnosis condition	—
			Signal (terminal)	<ul style="list-style-type: none"> Brake pedal position switch signal Stop lamp switch signal
			Threshold	When the vehicle speed is above 30 km/h (19 MPH), ON signals from the stop lamp switch and the brake pedal position switch are sent to the ECM at the same time
			Diagnosis delay time	—
		2	Diagnosis condition	—
			Signal (terminal)	Brake pedal position switch signal
			Threshold	Brake pedal position switch signal is not sent to ECM for extremely long time while the vehicle is driving
			Diagnosis delay time	Extremely long time

POSSIBLE CAUSE

DTC P1572 - 1

- Harness or connectors
(The stop lamp switch circuit is shorted.)
- Harness or connectors
(The brake pedal position switch circuit is shorted.)
- Stop lamp switch
- Brake pedal position switch
- Incorrect stop lamp switch installation
- Incorrect brake pedal position switch installation
- ECM

DTC P1572 - 2

- Harness or connectors
(The stop lamp switch circuit is shorted.)
- Harness or connectors
(The brake pedal position switch circuit is shorted.)
- Stop lamp switch
- Brake pedal position switch
- Incorrect stop lamp switch installation

P1572 ASCD BRAKE SWITCH

[VQ35DE]

< DTC/CIRCUIT DIAGNOSIS >

- Incorrect brake pedal position switch installation
- ECM

FAIL-SAFE

Not applicable

DTC CONFIRMATION PROCEDURE

1. CHECK DTC PRIORITY

If DTC P1572 is displayed with DTC P0605, first perform the confirmation procedure for DTC P0605.

Is applicable DTC detected?

- YES >> Perform diagnosis of applicable. Refer to [EC-415. "DTC Description"](#).
NO >> GO TO 2.

2. INSPECTION START

Do you have CONSULT?

Do you have CONSULT?

- YES >> GO TO 3.
NO >> GO TO 6.

3. PRECONDITIONING

If DTC Confirmation Procedure has been previously conducted, always turn ignition switch OFF and wait at least 10 seconds before conducting the next test.

NOTE:

Procedure for malfunction B is not described here. It takes extremely long time to complete procedure for malfunction B. By performing procedure for malfunction A, the incident that causes malfunction B can be detected.

>> GO TO 4.

4. PERFORM DTC CONFIRMATION PROCEDURE FOR MALFUNCTION 1-I

1. Start engine (VDC switch OFF).
2. Select "DATA MONITOR" mode with CONSULT.
3. Press MAIN switch and make sure that CRUISE lamp lights up.
4. Drive the vehicle for at least 5 consecutive seconds under the following conditions.

CAUTION:

Always drive vehicle at a safe speed.

NOTE:

This procedure may be conducted with the drive wheels lifted in the shop or by driving the vehicle. If a road test is expected to be easier, it is unnecessary to lift the vehicle.

VHCL SPEED SE	More than 30 km/h (19 mph)
Selector lever	Suitable position

5. Check 1st trip DTC.

Is 1st trip DTC detected?

- YES >> Go to [EC-469. "Diagnosis Procedure"](#).
NO >> GO TO 5.

5. PERFORM DTC CONFIRMATION PROCEDURE 1-II

1. Drive the vehicle for at least 5 consecutive seconds under the following conditions.

CAUTION:

Always drive vehicle at a safe speed.

NOTE:

This procedure may be conducted with the drive wheels lifted in the shop or by driving the vehicle. If a road test is expected to be easier, it is unnecessary to lift the vehicle.

VHCL SPEED SE	More than 30 km/h (19 mph)
---------------	----------------------------

P1572 ASCD BRAKE SWITCH

[VQ35DE]

< DTC/CIRCUIT DIAGNOSIS >

Selector lever	Suitable position
Driving location	Depress the brake pedal for more than five seconds so as not to come off from the above-mentioned vehicle speed.

2. Check 1st trip DTC.

Is 1st trip DTC detected?

- YES >> Go to [EC-469, "Diagnosis Procedure"](#).
- NO >> INSPECTION END

6.PERFORM COMPONENT FUNCTION CHECK

1. Turn ignition switch ON.
2. Check the voltage between ECM harness connectors.

ECM			Condition	Voltage	
Con- nector	+	-			
	Terminal	Terminal			
E10	140	152	Brake pedal	Slightly depressed	Approx. 0 V
				Fully re-leased	Battery voltage

Is the inspection result normal?

- YES-1 >> To check malfunction symptom before repair: Refer to [GI-41, "Intermittent Incident"](#).
- YES-2 >> Confirmation after repair: INSPECTION END
- NO >> GO TO 7.

7.PERFORM COMPONENT FUNCTION CHECK-II

Check the voltage between ECM harness connectors.

ECM			Condition	Voltage	
Con- nector	+	-			
	Terminal	Terminal			
E10	139	152	Brake pedal	Slightly depressed	Battery voltage
				Fully re-leased	Approx. 0 V

Is the inspection result normal?

- YES-1 >> To check malfunction symptom before repair: Refer to [GI-41, "Intermittent Incident"](#).
- YES-2 >> Confirmation after repair: INSPECTION END
- NO >> Go to [EC-469, "Diagnosis Procedure"](#).

Diagnosis Procedure

INFOID:000000011939943

1.CHECK DTC PRIORITY

If DTC P1572 is displayed with DTC P0605, first perform the confirmation procedure for DTC P0605.

Is applicable DTC detected?

- YES >> Perform diagnosis of applicable. Refer to [EC-415, "DTC Description"](#).
- NO >> GO TO 2.

2.CHECK OVERALL FUNCTION-I

With CONSULT

1. Turn ignition switch ON.
2. Select "BRAKE SW1" in "DATA MONITOR" mode with CONSULT.
3. Check "BRAKE SW1" indication under the following conditions.

P1572 ASCD BRAKE SWITCH

[VQ35DE]

< DTC/CIRCUIT DIAGNOSIS >

Monitor item	Condition		Indication
BRAKE SW1	Brake pedal	Slightly depressed	OFF
		Fully released	ON

⊗ Without CONSULT

1. Turn ignition switch ON.
2. Check the voltage between ECM harness connectors.

ECM			Condition	Voltage	
Connector	+	-			
	Terminal				
E10	140	152	Brake pedal	Slightly depressed	Approx. 0 V
			Fully released	Battery voltage	

Is the inspection result normal?

- YES >> GO TO 3.
 NO >> GO TO 4.

3.CHECK OVERALL FUNCTION-II

Ⓟ With CONSULT

Check "BRAKE SW2" indication in "DATA MONITOR" mode.

Monitor item	Condition		Indication
BRAKE SW2	Brake pedal	Slightly depressed	ON
		Fully released	OFF

⊗ Without CONSULT

Check the voltage between ECM harness connectors.

ECM			Condition	Voltage	
Connector	+	-			
	Terminal				
E10	139	152	Brake pedal	Slightly depressed	Battery voltage
			Fully released	Approx. 0 V	

Is the inspection result normal?

- YES >> INSPECTION END
 NO >> GO TO 7.

4.CHECK BRAKE PEDAL POSITION SWITCH POWER SUPPLY

1. Turn ignition switch OFF.
2. Disconnect brake pedal position switch harness connector.
3. Turn ignition switch ON.
4. Check the voltage between brake pedal position switch harness connector and ground.

+		-	Voltage
Brake pedal position switch	Terminal		
Connector	Terminal		
E37	1	Ground	Battery voltage

Is the inspection result normal?

- YES >> GO TO 5.
 NO >> Repair or replace error-detected parts.

P1572 ASCD BRAKE SWITCH

[VQ35DE]

< DTC/CIRCUIT DIAGNOSIS >

5. CHECK BRAKE PEDAL POSITION SWITCH INPUT SIGNAL CIRCUIT

1. Turn ignition switch OFF.
2. Disconnect ECM harness connector.
3. Check the continuity between brake pedal position switch harness connector and ECM harness connector.

Brake pedal position switch		ECM		Continuity
Connector	Terminal	Connector	Terminal	
E37	2	E10	140	Existed

4. Also check harness for short to ground and short to power.

Is the inspection result normal?

YES >> GO TO 6.

NO >> Repair open circuit, short to ground or short to power in harness or connectors.

6. CHECK BRAKE PEDAL POSITION SWITCH

Check brake pedal position switch. Refer to [EC-473. "Component Inspection \(Brake Pedal Position Switch\)"](#).

Is the inspection result normal?

YES >> GO TO 7.

NO >> Replace brake pedal position switch. Refer to [BR-20. "Exploded View"](#).

7. CHECK STOP LAMP RELAY POWER SUPPLY CIRCUIT

1. Turn ignition switch OFF.
2. Disconnect stop lamp relay harness connector.
3. Check the voltage between stop lamp relay harness connector and ground.

+		-	Voltage
Stop lamp relay			
Connector	Terminal		
E34	1	Ground	Battery voltage

Is the inspection result normal?

YES >> GO TO 8.

NO >> Perform the trouble diagnosis for power supply circuit.

8. CHECK STOP LAMP SWITCH POWER SUPPLY CIRCUIT-I

1. Reconnect stop lamp relay harness connector.
2. Disconnect stop lamp switch harness connector.
3. Check the voltage between stop lamp switch harness connector and ground.

+		-	Voltage
Stop lamp switch			
Connector	Terminal		
E38	2	Ground	Battery voltage

Is the inspection result normal?

YES >> GO TO 10.

NO >> GO TO 9.

9. CHECK STOP LAMP SWITCH POWER SUPPLY CIRCUIT-II

1. Disconnect stop lamp relay harness connector.
2. Check the continuity between stop lamp switch harness connector and stop lamp relay harness connector.

P1572 ASCD BRAKE SWITCH

[VQ35DE]

< DTC/CIRCUIT DIAGNOSIS >

+		-		Continuity
Stop lamp switch		Stop lamp relay		
Connector	Terminal	Connector	Terminal	
E38	2	E34	2	Existed

3. Also check harness for short to ground and to power.

Is the inspection result normal?

YES >> INSPECTION END

NO >> Repair or replace error-detected parts.

10.CHECK STOP LAMP SWITCH GROUND CIRCUIT

Check the continuity between stop lamp switch harness connector and ground.

+		-	Continuity
Stop lamp switch			
Connector	Terminal		
E38	1	Ground	Existed

Is the inspection result normal?

YES >> GO TO 11.

NO >> Perform the trouble diagnosis for power supply circuit.

11.CHECK STOP LAMP SWITCH

Check the stop lamp switch. Refer to [EC-473. "Component Inspection \(Stop Lamp Switch\)".](#)

Is the inspection result normal?

YES >> GO TO 12.

NO >> Replace stop lamp switch. Refer to [BR-20. "Exploded View".](#)

12.CHECK STOP LAMP SWITCH SIGNAL POWER SUPPLY

Check the voltage between stop lamp relay harness connector and ground.

+		-	Voltage
Stop lamp relay			
Connector	Terminal		
E34	3	Ground	Battery voltage

Is the inspection result normal?

YES >> GO TO 13.

NO >> Perform the trouble diagnosis for power supply circuit.

13.CHECK STOP LAMP SWITCH SIGNAL CIRCUIT

1. Disconnect ECM harness connector.

2. Check the continuity between stop lamp relay harness connector and ECM harness connector.

+		-		Continuity
Stop lamp relay		ECM		
Connector	Terminal	Connector	Terminal	
E34	5	E10	139	Existed

3. Also check harness for short to ground and to power.

Is the inspection result normal?

YES >> GO TO 14.

NO >> Repair or replace error-detected parts

14.CHECK STOP LAMP RELAY

P1572 ASCD BRAKE SWITCH

[VQ35DE]

< DTC/CIRCUIT DIAGNOSIS >

Check the stop lamp relay. Refer to [EC-474, "Component Inspection \(Stop Lamp Relay\)"](#).

Is the inspection result normal?

- YES >> INSPECTION END
- NO >> Replace stop lamp relay.

Component Inspection (Brake Pedal Position Switch)

INFOID:0000000011939944

A

EC

1. CHECK BRAKE PEDAL POSITION SWITCH-I

1. Turn ignition switch OFF.
2. Disconnect brake pedal position switch harness connector.
3. Check the continuity between brake pedal position switch terminals under the following conditions.

Terminals	Condition	Continuity
1 and 2	Brake pedal Fully released	Existed
	Slightly depressed	Not existed

Is the inspection result normal?

- YES >> INSPECTION END
- NO >> GO TO 2.

2. CHECK BRAKE PEDAL POSITION SWITCH-II

1. Adjust brake pedal position switch installation. Refer to [BR-12, "Adjustment"](#).
2. Check the continuity between brake pedal position switch terminals under the following conditions.

Terminals	Condition	Continuity
1 and 2	Brake pedal Fully released	Existed
	Slightly depressed	Not existed

Is the inspection result normal?

- YES >> INSPECTION END
- NO >> Replace brake pedal position switch. Refer to [BR-20, "Exploded View"](#).

Component Inspection (Stop Lamp Switch)

INFOID:0000000011939945

1. CHECK STOP LAMP SWITCH-I

1. Turn ignition switch OFF.
2. Disconnect stop lamp switch harness connector.
3. Check the continuity between stop lamp switch terminals under the following conditions.

Terminals	Condition	Continuity
1 and 2	Brake pedal Fully released	Not existed
	Slightly depressed	Existed

Is the inspection result normal?

- YES >> INSPECTION END
- NO >> GO TO 2.

2. CHECK STOP LAMP SWITCH-II

1. Adjust stop lamp switch installation. Refer to [BR-12, "Adjustment"](#).
2. Check the continuity between stop lamp switch terminals under the following conditions.

Terminals	Condition	Continuity
1 and 2	Brake pedal Fully released	Not existed
	Slightly depressed	Existed

Is the inspection result normal?

C

D

E

F

G

H

I

J

K

L

M

N

O

P

P1572 ASCD BRAKE SWITCH

[VQ35DE]

< DTC/CIRCUIT DIAGNOSIS >

YES >> INSPECTION END

NO >> Replace stop lamp switch. Refer to [BR-20, "Exploded View"](#).

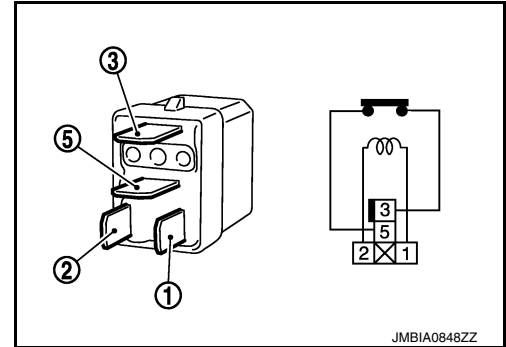
Component Inspection (Stop Lamp Relay)

INFOID:000000012461054

1. CHECK STOP LAMP RELAY

1. Turn ignition switch OFF.
2. Remove stop lamp relay.
3. Check the continuity between stop lamp relay terminals as per the following conditions.

Stop lamp relay		Condition	Continuity
+	-		
Terminal			
3	5	12 V direct current supply between terminals 1 and 2	Existed
		No current supply	Not existed



JMBIA0848ZZ

Is the inspection result normal?

YES >> INSPECTION END

NO >> Replace stop lamp relay.

P1572 ICC BRAKE SWITCH

< DTC/CIRCUIT DIAGNOSIS >

[VQ35DE]

P1572 ICC BRAKE SWITCH

DTC Description

INFOID:0000000011939946

DTC DETECTION LOGIC

NOTE:

This self-diagnosis has the one trip detection logic. When malfunction A is detected, DTC is not stored in ECM memory. And in that case, 1st trip DTC and 1st trip freeze frame data are displayed. 1st trip DTC is erased when ignition switch OFF. And even when malfunction A is detected in two consecutive trips, DTC is not stored in ECM memory.

- When the vehicle speed is above 30 km/h (19 MPH), ON signals from the stop lamp switch and the brake pedal position switch (ICC brake switch) are sent to the ECM at the same time.
- brake pedal position switch (ICC brake switch) signal is not sent to ECM for extremely long time while the vehicle is driving.

DTC	CONSULT screen terms (Trouble diagnosis content)	DTC detection condition		
P1572	ASCD BRAKE SW (ICC brake switch)	1	Diagnosis condition	—
			Signal (terminal)	<ul style="list-style-type: none"> Brake pedal position switch signal Stop lamp switch signal
			Threshold	When the vehicle speed is above 30 km/h (19 MPH), ON signals from the stop lamp switch and the brake pedal position switch are sent to the ECM at the same time
			Diagnosis delay time	—
		2	Diagnosis condition	—
			Signal (terminal)	Brake pedal position switch signal
			Threshold	Brake pedal position switch signal is not sent to ECM for extremely long time while the vehicle is driving
			Diagnosis delay time	Extremely long time

POSSIBLE CAUSE

DTC P1572 - 1

- Harness or connectors
(The stop lamp switch circuit is shorted.)
- Harness or connectors
(The brake pedal position switch circuit is shorted.)
- Stop lamp switch
- Brake pedal position switch
- ICC brake hold relay
- Incorrect stop lamp switch installation
- Incorrect brake pedal position switch installation
- ECM

DTC P1572 - 2

- Harness or connectors
(The stop lamp switch circuit is shorted.)
- Harness or connectors
(The brake pedal position switch circuit is shorted.)
- Stop lamp switch
- Brake pedal position switch
- ICC brake hold relay
- Incorrect stop lamp switch installation
- Incorrect brake pedal position switch installation
- ECM

FAIL-SAFE

P1572 ICC BRAKE SWITCH

[VQ35DE]

< DTC/CIRCUIT DIAGNOSIS >

Not applicable

DTC CONFIRMATION PROCEDURE

1. CHECK DTC PRIORITY

If DTC P1572 is displayed with DTC P0605, first perform the confirmation procedure for DTC P0605.

Is applicable DTC detected?

YES >> Perform diagnosis of applicable. Refer to [EC-415. "DTC Description"](#).

NO >> GO TO 2.

2. PRECONDITIONING

If DTC Confirmation Procedure has been previously conducted, always turn ignition switch OFF and wait at least 10 seconds before conducting the next test.

NOTE:

Procedure for malfunction B is not described here. It takes extremely long time to complete procedure for malfunction B. By performing procedure for malfunction A, the incident that causes malfunction B can be detected.

>> GO TO 3.

3. PERFORM DTC CONFIRMATION PROCEDURE 1-I

1. Start engine (VDC switch OFF).
2. Select "DATA MONITOR" mode with CONSULT.
3. Press MAIN switch and make sure that CRUISE lamp lights up.
4. Drive the vehicle for at least 5 consecutive seconds under the following conditions.

CAUTION:

Always drive vehicle at a safe speed.

NOTE:

This procedure may be conducted with the drive wheels lifted in the shop or by driving the vehicle. If a road test is expected to be easier, it is unnecessary to lift the vehicle.

VHCL SPEED SE	More than 30 km/h (19 mph)
Selector lever	Suitable position

5. Check 1st trip DTC.

Is 1st trip DTC detected?

YES >> Go to [EC-477. "Diagnosis Procedure"](#).

NO >> GO TO 4.

4. PERFORM DTC CONFIRMATION PROCEDURE 1-II

1. Drive the vehicle for at least 5 consecutive seconds under the following conditions.

CAUTION:

Always drive vehicle at a safe speed.

NOTE:

This procedure may be conducted with the drive wheels lifted in the shop or by driving the vehicle. If a road test is expected to be easier, it is unnecessary to lift the vehicle.

VHCL SPEED SE	More than 30 km/h (19 mph)
Selector lever	Suitable position
Driving location	Depress the brake pedal for more than five seconds so as not to come off from the above-mentioned vehicle speed.

2. Check 1st trip DTC.

Is 1st trip DTC detected?

YES >> Go to [EC-477. "Diagnosis Procedure"](#).

NO-1 >> To check malfunction symptom before repair: Refer to [GI-41. "Intermittent Incident"](#).

NO-2 >> Confirmation after repair: INSPECTION END

P1572 ICC BRAKE SWITCH

< DTC/CIRCUIT DIAGNOSIS >

[VQ35DE]

INFOID:000000011939947

Diagnosis Procedure

1. CHECK DTC PRIORITY

If DTC P1572 is displayed with DTC P0605, first perform the confirmation procedure for DTC P0605.

Is applicable DTC detected?

- YES >> Perform diagnosis of applicable. Refer to [EC-415. "DTC Description"](#).
- NO >> GO TO 2.

2. CHECK OVERALL FUNCTION-I

With CONSULT

1. Turn ignition switch ON.
2. Select "BRAKE SW1" in "DATA MONITOR" mode with CONSULT.
3. Check "BRAKE SW1" indication under the following conditions.

Monitor item	Condition		Indication
BRAKE SW1 (ICC brake switch)	Brake pedal	Slightly depressed	OFF
	Brake pedal	Fully released	ON

Without CONSULT

1. Turn ignition switch ON.
2. Check the voltage between ECM harness connector terminals under the following conditions.

Connector	ECM		Condition	Voltage (V)	
	+	-			
	Terminal	Terminal			
E10	140	152	Brake pedal	Slightly depressed	Approx. 0
			Brake pedal	Fully released	Battery voltage

Is the inspection result normal?

- YES >> GO TO 3.
- NO >> GO TO 4.

3. CHECK OVERALL FUNCTION-II

With CONSULT

Select "BRAKE SW2" and check indication under the following conditions.

Monitor item	Condition		Indication
BRAKE SW2 (Stop lamp switch)	Brake pedal	Slightly depressed	ON
		Fully released	OFF

Without CONSULT

Check the voltage between ECM harness connector terminals as per the following.

Connector	ECM		Condition	Voltage (V)	
	+	-			
	Terminal	Terminal			
E10	139	152	Brake pedal	Slightly depressed	Battery voltage
			Brake pedal	Fully released	Approx. 0

Is the inspection result normal?

- YES >> INSPECTION END
- NO >> GO TO 7.

P1572 ICC BRAKE SWITCH

[VQ35DE]

< DTC/CIRCUIT DIAGNOSIS >

4. CHECK BRAKE PEDAL POSITION SWITCH POWER SUPPLY

1. Turn ignition switch OFF.
2. Disconnect brake pedal position switch harness connector.
3. Turn ignition switch ON.
4. Check the voltage between brake pedal position switch harness connector and ground.

+		-	Voltage
Brake pedal position switch			
Connector	Terminal	Ground	Battery voltage
E37	1		

Is the inspection result normal?

YES >> GO TO 5.

NO >> Perform the trouble diagnosis for power supply circuit.

5. CHECK BRAKE PEDAL POSITION SWITCH INPUT SIGNAL CIRCUIT FOR OPEN AND SHORT

1. Turn ignition switch OFF.
2. Disconnect ECM harness connector.
3. Check the continuity between brake pedal position switch harness connector and ECM harness connector.

Brake pedal position switch		ECM		Continuity
Connector	Terminal	Connector	Terminal	
E37	2	E10	140	Existed

4. Also check harness for short to ground and short to power.

Is the inspection result normal?

YES >> GO TO 6.

NO >> Repair or replace error-detected parts.

6. CHECK BRAKE PEDAL POSITION SWITCH

Check brake pedal position switch. Refer to [EC-480, "Component Inspection \(ICC Brake Switch\)"](#).

Is the inspection result normal?

YES >> INSPECTION END

NO >> Replace brake pedal position switch. Refer to [BR-20, "Removal and Installation"](#).

7. CHECK STOP LAMP RELAY POWER SUPPLY CIRCUIT

1. Turn ignition switch OFF.
2. Disconnect stop lamp relay harness connector.
3. Check the voltage between stop lamp relay harness connector and ground.

+		-	Voltage
Stop lamp relay			
Connector	Terminal	Ground	Battery voltage
E34	1		

Is the inspection result normal?

YES >> GO TO 8.

NO >> Perform the trouble diagnosis for power supply circuit.

8. CHECK STOP LAMP SWITCH POWER SUPPLY CIRCUIT-I

1. Reconnect stop lamp relay harness connector.
2. Disconnect stop lamp switch harness connector.
3. Check the voltage between stop lamp switch harness connector and ground.

P1572 ICC BRAKE SWITCH

< DTC/CIRCUIT DIAGNOSIS >

[VQ35DE]

+		-	Voltage
Stop lamp switch			
Connector	Terminal	Ground	Battery voltage
E38	2		

Is the inspection result normal?

YES >> GO TO 10.

NO >> GO TO 9.

9. CHECK STOP LAMP SWITCH POWER SUPPLY CIRCUIT-II

1. Disconnect stop lamp relay harness connector.
2. Check the continuity between stop lamp switch harness connector and stop lamp relay harness connector.

+		-		Continuity
Stop lamp switch		Stop lamp relay		
Connector	Terminal	Connector	Terminal	Existed
E38	2	E34	2	

3. Also check harness for short to ground and to power.

Is the inspection result normal?

YES >> INSPECTION END

NO >> Repair or replace error-detected parts.

10. CHECK STOP LAMP SWITCH GROUND CIRCUIT

Check the continuity between stop lamp switch harness connector and ground.

+		-	Continuity
Stop lamp switch			
Connector	Terminal	Ground	Existed
E38	1		

Is the inspection result normal?

YES >> GO TO 11.

NO >> Perform the trouble diagnosis for power supply circuit.

11. CHECK STOP LAMP SWITCH

Check the stop lamp switch. Refer to [EC-480. "Component Inspection \(Stop Lamp Switch\)".](#)

Is the inspection result normal?

YES >> GO TO 12.

NO >> Replace stop lamp switch. Refer to [BR-20. "Exploded View".](#)

12. CHECK STOP LAMP SWITCH SIGNAL POWER SUPPLY

Check the voltage between stop lamp relay harness connector and ground.

+		-	Voltage
Stop lamp relay			
Connector	Terminal	Ground	Battery voltage
E34	3		

Is the inspection result normal?

YES >> GO TO 13.

NO >> Perform the trouble diagnosis for power supply circuit.

13. CHECK STOP LAMP SWITCH SIGNAL CIRCUIT

P1572 ICC BRAKE SWITCH

[VQ35DE]

< DTC/CIRCUIT DIAGNOSIS >

1. Disconnect ECM harness connector.
2. Check the continuity between stop lamp relay harness connector and ECM harness connector.

+		-		Continuity
Stop lamp relay		ECM		
Connector	Terminal	Connector	Terminal	
E34	5	E10	139	Existed

3. Also check harness for short to ground and to power.

Is the inspection result normal?

YES >> GO TO 14.

NO >> Repair or replace error-detected parts

14.CHECK STOP LAMP RELAY

Check the stop lamp relay. Refer to [EC-481, "Component Inspection \(Stop Lamp Relay\)"](#).

Is the inspection result normal?

YES >> Check ICC brake hold relay circuit. Refer to [DAS-44, "Diagnosis Procedure"](#).

NO >> Replace stop lamp relay.

Component Inspection (ICC Brake Switch)

INFOID:000000011939948

1.CHECK BRAKE PEDAL POSITION SWITCH-I

1. Turn ignition switch OFF.
2. Disconnect brake pedal position switch harness connector.
3. Check the continuity between brake pedal position switch terminals under the following conditions.

Terminals	Condition		Continuity
1 and 2	Brake pedal	Fully released	Existed
		Slightly depressed	Not existed

Is the inspection result normal?

YES >> INSPECTION END

NO >> GO TO 2.

2.CHECK BRAKE PEDAL POSITION SWITCH-II

1. Adjust brake pedal position switch installation. Refer to [BR-12, "Adjustment"](#).
2. Check the continuity between brake pedal position switch terminals under the following conditions.

Terminals	Condition		Continuity
1 and 2	Brake pedal	Fully released	Existed
		Slightly depressed	Not existed

Is the inspection result normal?

YES >> INSPECTION END

NO >> Replace brake pedal position switch. Refer to [BR-20, "Exploded View"](#).

Component Inspection (Stop Lamp Switch)

INFOID:000000011939949

1.CHECK STOP LAMP SWITCH-I

1. Turn ignition switch OFF.
2. Disconnect stop lamp switch harness connector.
3. Check the continuity between stop lamp switch terminals under the following conditions.

P1572 ICC BRAKE SWITCH

< DTC/CIRCUIT DIAGNOSIS >

[VQ35DE]

Terminals	Condition		Continuity
1 and 2	Brake pedal	Fully released	Not existed
		Slightly depressed	Existed

Is the inspection result normal?

- YES >> INSPECTION END
- NO >> GO TO 2.

2.CHECK STOP LAMP SWITCH-II

1. Adjust stop lamp switch installation. Refer to [BR-12. "Adjustment"](#).
2. Check the continuity between stop lamp switch terminals under the following conditions.

Terminals	Condition		Continuity
1 and 2	Brake pedal	Fully released	Not existed
		Slightly depressed	Existed

Is the inspection result normal?

- YES >> INSPECTION END
- NO >> Replace stop lamp switch. Refer to [BR-20. "Exploded View"](#).

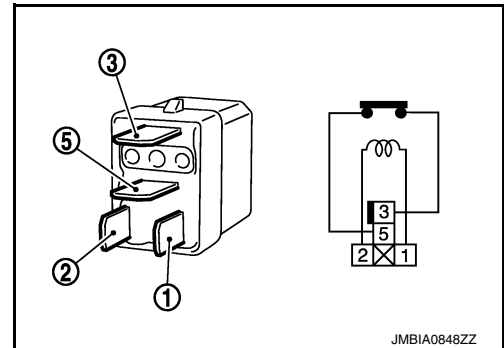
Component Inspection (Stop Lamp Relay)

INFOID:000000012461055

1.CHECK STOP LAMP RELAY

1. Turn ignition switch OFF.
2. Remove stop lamp relay.
3. Check the continuity between stop lamp relay terminals as per the following conditions.

Stop lamp relay		Condition	Continuity
+	-		
Terminal			
3	5	12 V direct current supply between terminals 1 and 2	Existed
		No current supply	Not existed



Is the inspection result normal?

- YES >> INSPECTION END
- NO >> Replace stop lamp relay.

P1574 ASCD VEHICLE SPEED SENSOR

< DTC/CIRCUIT DIAGNOSIS >

[VQ35DE]

P1574 ASCD VEHICLE SPEED SENSOR

Description

INFOID:000000011939951

The ECM receives two vehicle speed signals via CAN communication line. One is sent from combination meter, and the other is from TCM (Transmission control module). The ECM uses these signals for ASCD control. Refer to [EC-41, "AUTOMATIC SPEED CONTROL DEVICE \(ASCD\) : System Description"](#) for ASCD functions.

DTC Description

INFOID:000000011939952

DTC DETECTION LOGIC

The difference the between two vehicle speed signals is out of the specified range.

DTC	CONSULT screen terms (Trouble diagnosis content)	DTC detection condition	
P1574	ASCD VHL SPD SEN (ASCD vehicle speed sensor)	Diagnosis condition	Start engine and drive the vehicle at more than 40 km/h (25 MPH)
		Signal (terminal)	—
		Threshold	The difference the between two vehicle speed signals is out of the specified range
		Diagnosis delay time	—

POSSIBLE CAUSE

- Harness or connectors
(The CAN communication line is open or shorted.)
- Combination meter
- ABS actuator and electric unit (control unit)
- Wheel sensor
- TCM
- ECM

FAIL-SAFE

Not applicable

DTC CONFIRMATION PROCEDURE

1.CHECK DTC PRIORITY

If DTC P1574 is displayed with DTC UXXXX, P0500, P0605 or P0607, first perform the confirmation procedure for DTC UXXXX, P0500, P0605 or P0607.

Is applicable DTC detected?

- YES >> Perform diagnosis of applicable.
- DTC UXXXX: Refer to [EC-107, "DTC Index"](#).
 - DTC P0500: Refer to [EC-386, "Description"](#).
 - DTC P0605: Refer to [EC-415, "DTC Description"](#).
 - DTC P0607: Refer to [EC-419, "DTC Description"](#).

NO >> GO TO 2.

2.PRECONDITIONING

If DTC Confirmation Procedure has been previously conducted, always perform the following before conducting the next test.

1. Turn ignition switch OFF and wait at least 10 seconds.
2. Turn ignition switch ON.
3. Turn ignition switch OFF and wait at least 10 seconds.

>> GO TO 3.

3.PERFORM DTC CONFIRMATION PROCEDURE

1. Start engine (VDC switch OFF).

P1574 ASCD VEHICLE SPEED SENSOR

[VQ35DE]

< DTC/CIRCUIT DIAGNOSIS >

2. Drive the vehicle at more than 40 km/h (25 MPH).

CAUTION:

Always drive vehicle at a safe speed.

NOTE:

This procedure may be conducted with the drive wheels lifted in the shop or by driving the vehicle. If a road test is expected to be easier, it is unnecessary to lift the vehicle.

3. Check DTC.

Is DTC detected?

YES >> Proceed to [EC-483, "Diagnosis Procedure"](#).

NO-1 >> To check malfunction symptom before repair: Refer to [GI-41, "Intermittent Incident"](#).

NO-2 >> Confirmation after repair: INSPECTION END

Diagnosis Procedure

INFOID:000000011939953

1.CHECK DTC PRIORITY

If DTC P1574 is displayed with DTC UXXXX, P0500, P0605 or P0607, first perform the confirmation procedure for DTC UXXXX, P0500, P0605 or P0607.

Is applicable DTC detected?

YES >> Perform diagnosis of applicable.

- DTC UXXXX: Refer to [EC-107, "DTC Index"](#).
- DTC P0500: Refer to [EC-386, "Description"](#).
- DTC P0605: Refer to [EC-415, "DTC Description"](#).
- DTC P0607: Refer to [EC-419, "DTC Description"](#).

NO >> GO TO 2.

2.CHECK DTC WITH TCM

Check DTC with TCM. Refer to [TM-42, "CONSULT Function"](#).

Is the inspection result normal?

YES >> GO TO 3.

NO >> Perform trouble shooting relevant to DTC indicated.

3.CHECK DTC WITH ABS ACTUATOR AND ELECTRIC UNIT (CONTROL UNIT)

Check DTC with ABS actuator and electric unit (control unit). Refer to [BRC-41, "CONSULT Function"](#) (without ICC), [BRC-212, "CONSULT Function"](#) (with ICC).

Is the inspection result normal?

YES >> GO TO 4.

NO >> Repair or replace malfunctioning part.

4.CHECK COMBINATION METER FUNCTION

Check combination meter function. Refer to [MWI-20, "CONSULT Function \(METER/M&A\)"](#).

>> INSPECTION END

P1574 ICC VEHICLE SPEED SENSOR

< DTC/CIRCUIT DIAGNOSIS >

[VQ35DE]

P1574 ICC VEHICLE SPEED SENSOR

Description

INFOID:0000000011939954

The ECM receives two vehicle speed signals via CAN communication line. One is sent from combination meter, and the other is from TCM (Transmission control module). The ECM uses these signals for ICC control. Refer to [CCS-11, "System Description"](#) for ICC functions.

DTC Description

INFOID:0000000011939955

DTC DETECTION LOGIC

The difference the between two vehicle speed signals is out of the specified range.

DTC	CONSULT screen terms (Trouble diagnosis content)	DTC detection condition	
P1574	ASCD VHL SPD SEN (ICC vehicle speed sensor)	Diagnosis condition	Start engine and drive the vehicle at more than 40 km/h (25 MPH)
		Signal (terminal)	—
		Threshold	The difference the between two vehicle speed signals is out of the specified range
		Diagnosis delay time	—

POSSIBLE CAUSE

- Harness or connectors
(The CAN communication line is open or shorted.)
- Combination meter
- ABS actuator and electric unit (control unit)
- Wheel sensor
- TCM
- ECM

FAIL-SAFE

Not applicable

DTC CONFIRMATION PROCEDURE

1. CHECK DTC PRIORITY

If DTC P1574 is displayed with DTC UXXXX, P0500, P0605 or P0607, first perform the confirmation procedure for DTC UXXXX, P0500, P0605 or P0607.

Is applicable DTC detected?

- YES >> Perform diagnosis of applicable.
- DTC UXXXX: Refer to [EC-107, "DTC Index"](#).
 - DTC P0500: Refer to [EC-386, "Description"](#).
 - DTC P0605: Refer to [EC-415, "DTC Description"](#).
 - DTC P0607: Refer to [EC-419, "DTC Description"](#).

NO >> GO TO 2.

2. PRECONDITIONING

If DTC Confirmation Procedure has been previously conducted, always perform the following before conducting the next test.

1. Turn ignition switch OFF and wait at least 10 seconds.
2. Turn ignition switch ON.
3. Turn ignition switch OFF and wait at least 10 seconds.

>> GO TO 3.

3. PERFORM DTC CONFIRMATION PROCEDURE

1. Start engine (VDC switch OFF).
2. Drive the vehicle at more than 40 km/h (25 MPH).

P1574 ICC VEHICLE SPEED SENSOR

< DTC/CIRCUIT DIAGNOSIS >

[VQ35DE]

CAUTION:

Always drive vehicle at a safe speed.

NOTE:

This procedure may be conducted with the drive wheels lifted in the shop or by driving the vehicle. If a road test is expected to be easier, it is unnecessary to lift the vehicle.

3. Check DTC.

Is DTC detected?

YES >> Proceed to [EC-485, "Diagnosis Procedure"](#).

NO-1 >> To check malfunction symptom before repair: Refer to [GI-41, "Intermittent Incident"](#).

NO-2 >> Confirmation after repair: INSPECTION END

Diagnosis Procedure

INFOID:000000011939956

1.CHECK DTC PRIORITY

If DTC P1574 is displayed with DTC UXXXX, P0500, P0605 or P0607, first perform the confirmation procedure for DTC UXXXX, P0500, P0605 or P0607.

Is applicable DTC detected?

YES >> Perform diagnosis of applicable.

- DTC UXXXX: Refer to [EC-107, "DTC Index"](#).

- DTC P0500: Refer to [EC-386, "Description"](#).

- DTC P0605: Refer to [EC-415, "DTC Description"](#).

- DTC P0607: Refer to [EC-419, "DTC Description"](#).

NO >> GO TO 2.

2.CHECK DTC WITH TCM

Check DTC with TCM. Refer to [TM-42, "CONSULT Function"](#).

Is the inspection result normal?

YES >> GO TO 3.

NO >> Perform trouble shooting relevant to DTC indicated.

3.CHECK DTC WITH ABS ACTUATOR AND ELECTRIC UNIT (CONTROL UNIT)

Check DTC with ABS actuator and electric unit (control unit). Refer to [BRC-41, "CONSULT Function"](#) (without ICC), [BRC-212, "CONSULT Function"](#) (with ICC).

Is the inspection result normal?

YES >> GO TO 4.

NO >> Repair or replace malfunctioning part.

4.CHECK COMBINATION METER FUNCTION

Check combination meter function. Refer to [MWI-20, "CONSULT Function \(METER/M&A\)"](#).

>> INSPECTION END

P1700 CVT CONTROL SYSTEM

< DTC/CIRCUIT DIAGNOSIS >

[VQ35DE]

P1700 CVT CONTROL SYSTEM

Description

INFOID:000000011939959

This DTC is displayed with other DTC regarding TCM. Perform the trouble diagnosis for corresponding DTC. Refer to [EC-107, "DTC Index"](#). When this DTC is detected, the ASCD control is canceled.

P1800 VIAS CONTROL SOLENOID VALVE 1

< DTC/CIRCUIT DIAGNOSIS >

[VQ35DE]

P1800 VIAS CONTROL SOLENOID VALVE 1

DTC Description

INFOID:0000000011939963

DTC DETECTION LOGIC

An excessively low or high voltage signal is sent to ECM through the VIAS control solenoid valve 1.

DTC	CONSULT screen terms (Trouble diagnosis content)	DTC detection condition	
		Diagnosis condition	Signal (terminal)
P1800	VIAS S/V CIRC-B1 (VIAS solenoid valve circuit bank 1)	Start engine and let it idle	VIAS control solenoid valve 1 signal
		Signal (terminal)	VIAS control solenoid valve 1 signal
		Threshold	An excessively low or high voltage signal is sent to ECM
		Diagnosis delay time	—

POSSIBLE CAUSE

- Harness or connectors
(Input speed sensor circuit is open or shorted)
- VIAS control solenoid valve 1

FAIL-SAFE

Not applicable

DTC CONFIRMATION PROCEDURE

1.CONDITIONING

If DTC Confirmation Procedure has been previously conducted, always perform the following before conducting the next test.

1. Turn ignition switch OFF and wait at least 10 seconds.
2. Turn ignition switch ON.
3. Turn ignition switch OFF and wait at least 10 seconds.

TESTING CONDITION:

Before performing the following procedure, confirm battery voltage is more than 11 V at idle.

>> GO TO 2.

2.PERFORM DTC CONFIRMATION PROCEDURE

1. Start engine and let it idle for at least 5 seconds.
2. Check 1st trip DTC.

Is 1st trip DTC detected?

- YES >> Proceed to [EC-487, "Diagnosis Procedure"](#).
- NO-1 >> To check malfunction symptom before repair: Refer to [GI-41, "Intermittent Incident"](#).
- NO-2 >> Confirmation after repair: INSPECTION END

Diagnosis Procedure

INFOID:0000000011939964

1.CHECK VIAS CONTROL SOLENOID VALVE 1 POWER SUPPLY

1. Turn ignition switch OFF.
2. Disconnect VIAS control solenoid valve 1 harness connector.
3. Turn ignition switch ON.
4. Check the voltage between VIAS control solenoid valve 1 harness connector and ground.

+		-	Voltage
Connector	Terminal		
F63	1	Ground	Battery voltage

Is the inspection result normal?

P1800 VIAS CONTROL SOLENOID VALVE 1

[VQ35DE]

< DTC/CIRCUIT DIAGNOSIS >

YES >> GO TO 2.

NO >> Repair open circuit, short to ground or short to power in harness or connectors.

2.CHECK VIAS CONTROL SOLENOID VALVE 1 OUTPUT SIGNAL CIRCUIT

1. Turn ignition switch OFF.
2. Disconnect ECM harness connector.
3. Check the continuity between VIAS control solenoid valve 1 harness connector and ECM harness connector.

VIAS control solenoid valve 1		ECM		Continuity
Connector	Terminal	Connector	Terminal	
F63	2	F14	108	Existed

4. Also check harness for short to ground and short to power.

Is the inspection result normal?

YES >> GO TO 3.

NO >> Repair open circuit, short to ground or short to power in harness or connectors.

3.CHECK VIAS CONTROL SOLENOID VALVE 1

Check VIAS control solenoid valve 1. Refer to [EC-488, "Component Inspection"](#).

Is the inspection result normal?

YES >> INSPECTION END

NO >> Replace VIAS control solenoid valve 1. Refer to [EC-15, "ENGINE CONTROL SYSTEM : Component Parts Location"](#).

Component Inspection

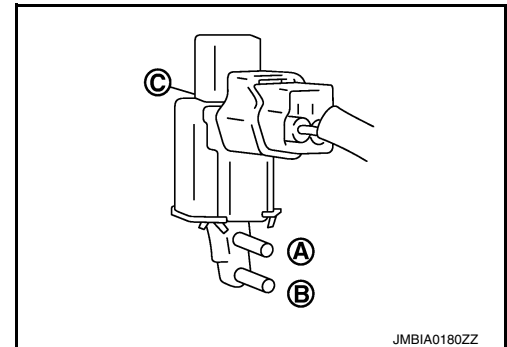
INFOID:000000011939965

1.CHECK VIAS CONTROL SOLENOID VALVE 1

④ With CONSULT

1. Turn ignition switch OFF.
2. Reconnect all harness connectors disconnected.
3. Disconnect vacuum hoses connected to VIAS control solenoid valve 1.
4. Turn ignition switch ON.
5. Select "VIAS S/V-1" in "ACTIVE TEST" mode with CONSULT.
6. Check air passage continuity and operation delay time under the following conditions.

Condition (VIAS S/V-1)	Air passage continuity between (A) and (B)	Air passage continuity between (A) and (C)
ON	Existed	Not existed
OFF	Not existed	Existed



JMBIA0180ZZ

⊗ Without CONSULT

1. Turn ignition switch OFF.
2. Disconnect VIAS control solenoid valve 1 harness connector.
3. Disconnect vacuum hoses connected to VIAS volume control solenoid valve 1.

P1800 VIAS CONTROL SOLENOID VALVE 1

[VQ35DE]

< DTC/CIRCUIT DIAGNOSIS >

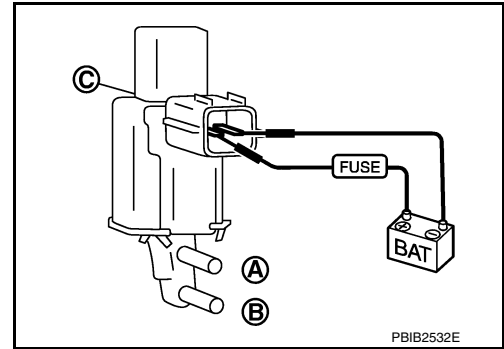
4. Check air passage continuity and operation delay time under the following conditions.

Condition	Air passage continuity between (A) and (B)	Air passage continuity between (A) and (C)
12 V direct current supply between terminals 1 and 2	Existed	Not existed
No supply	Not existed	Existed

Is the inspection result normal?

YES >> INSPECTION END

NO >> Replace VIAS control solenoid valve 1. Refer to [EC-15, "ENGINE CONTROL SYSTEM : Component Parts Location"](#).



A
EC
C
D
E
F
G
H
I
J
K
L
M
N
O
P

P1801 VIAS CONTROL SOLENOID VALVE 2

< DTC/CIRCUIT DIAGNOSIS >

[VQ35DE]

P1801 VIAS CONTROL SOLENOID VALVE 2

DTC Description

INFOID:000000011939966

DTC DETECTION LOGIC

An excessively low or high voltage signal is sent to ECM through the VIAS control solenoid valve 2.

DTC	CONSULT screen terms (Trouble diagnosis content)	DTC detection condition	
		Diagnosis condition	Start engine and let it idle
P1801	VIAS S/V CIRC-B2 (VIAS solenoid valve circuit bank 2)	Signal (terminal)	VIAS control solenoid valve 2 signal
		Threshold	An excessively low or high voltage signal is sent to ECM
		Diagnosis delay time	—

POSSIBLE CAUSE

- Harness or connectors
(The solenoid valve 2 circuit is open or shorted.)
- VIAS control solenoid valve 2

FAIL-SAFE

Not applicable

DTC CONFIRMATION PROCEDURE

1.CONDITIONING

If DTC Confirmation Procedure has been previously conducted, always perform the following before conducting the next test.

1. Turn ignition switch OFF and wait at least 10 seconds.
2. Turn ignition switch ON.
3. Turn ignition switch OFF and wait at least 10 seconds.

TESTING CONDITION:

Before performing the following procedure, confirm battery voltage is more than 11 V at idle.

>> GO TO 2.

2.PERFORM DTC CONFIRMATION PROCEDURE

1. Start engine and let it idle for at least 5 seconds.
2. Check 1st trip DTC.

Is 1st trip DTC detected?

YES >> Proceed to [EC-490, "Diagnosis Procedure"](#).

NO-1 >> To check malfunction symptom before repair: Refer to [GI-41, "Intermittent Incident"](#).

NO-2 >> Confirmation after repair: INSPECTION END

Diagnosis Procedure

INFOID:000000011939967

1.CHECK VIAS CONTROL SOLENOID VALVE 2 POWER SUPPLY

1. Turn ignition switch OFF.
2. Disconnect VIAS control solenoid valve 2 harness connector.
3. Turn ignition switch ON.
4. Check the voltage between VIAS control solenoid valve 2 harness connector and ground.

+		-	Voltage
VIAS control solenoid valve 2			
Connector	Terminal		
F65	1	Ground	Battery voltage

Is the inspection result normal?

P1801 VIAS CONTROL SOLENOID VALVE 2

[VQ35DE]

< DTC/CIRCUIT DIAGNOSIS >

- YES >> GO TO 2.
- NO >> Repair open circuit, short to ground or short to power in harness or connectors.

2.CHECK VIAS CONTROL SOLENOID VALVE 2 OUTPUT SIGNAL CIRCUIT FOR OPEN AND SHORT

1. Turn ignition switch OFF.
2. Disconnect ECM harness connector.
3. Check the continuity between VIAS control solenoid valve 2 harness connector and ECM harness connector.

VIAS control solenoid valve 2		ECM		Continuity
Connector	Terminal	Connector	Terminal	
F65	2	F14	102	Existed

4. Also check harness for short to ground and short to power.

Is the inspection result normal?

- YES >> GO TO 3.
- NO >> Repair open circuit, short to ground or short to power in harness or connectors.

3.CHECK VIAS CONTROL SOLENOID VALVE 2

Check VIAS control solenoid valve 2. Refer to [EC-491, "Component Inspection"](#).

Is the inspection result normal?

- YES >> INSPECTION END
- NO >> Replace VIAS control solenoid valve 2. Refer to [EC-15, "ENGINE CONTROL SYSTEM : Component Parts Location"](#).

Component Inspection

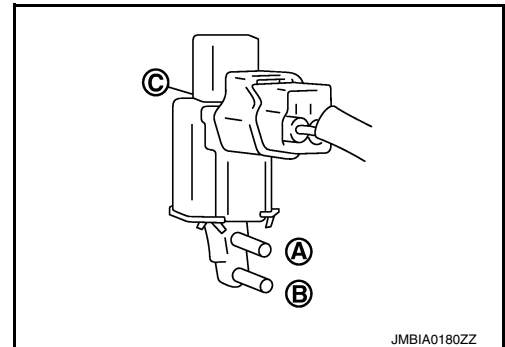
INFOID:000000011939968

1.CHECK VIAS CONTROL SOLENOID VALVE 2

With CONSULT

1. Turn ignition switch OFF.
2. Reconnect all harness connectors disconnected.
3. Disconnect vacuum hoses connected to VIAS control solenoid valve 2.
4. Turn ignition switch ON.
5. Select "VIAS S/V-2" in "ACTIVE TEST" mode with CONSULT.
6. Check air passage continuity and operation delay time under the following conditions.

Condition (VIAS S/V-2)	Air passage continuity between (A) and (B)	Air passage continuity between (A) and (C)
ON	Existed	Not existed
OFF	Not existed	Existed



Without CONSULT

1. Turn ignition switch OFF.
2. Disconnect VIAS control solenoid valve 2 harness connector.
3. Disconnect vacuum hoses connected to VIAS volume control solenoid valve 2.

P1801 VIAS CONTROL SOLENOID VALVE 2

[VQ35DE]

< DTC/CIRCUIT DIAGNOSIS >

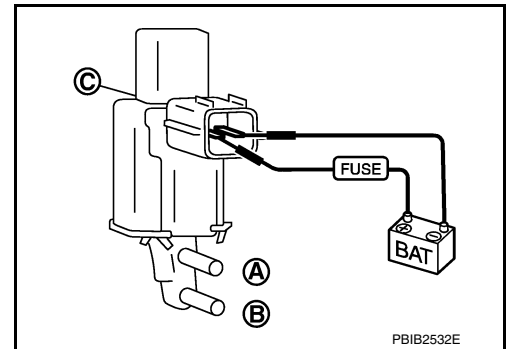
4. Check air passage continuity and operation delay time under the following conditions.

Condition	Air passage continuity between (A) and (B)	Air passage continuity between (A) and (C)
12 V direct current supply between terminals 1 and 2	Existed	Not existed
No supply	Not existed	Existed

Is the inspection result normal?

YES >> INSPECTION END

NO >> Replace VIAS control solenoid valve 2. Refer to [EC-15, "ENGINE CONTROL SYSTEM : Component Parts Location"](#).



P1805 BRAKE SWITCH

< DTC/CIRCUIT DIAGNOSIS >

[VQ35DE]

P1805 BRAKE SWITCH

Description

INFOID:0000000011939969

Brake switch signal is applied to the ECM via the stop lamp switch when the brake pedal is depressed. This signal is used mainly to decrease the engine speed when the vehicle is driven.

DTC Description

INFOID:0000000011939970

DTC DETECTION LOGIC

A brake switch signal is not sent to ECM for extremely long time while the vehicle is driving.

DTC	CONSULT screen terms (Trouble diagnosis content)	DTC detection condition	
P1805	BRAKE SW/CIRCUIT (Stop lamp switch circuit)	Diagnosis condition	—
		Signal (terminal)	Stop lamp switch signal
		Threshold	A brake switch signal is not sent to ECM while the vehicle is driving
		Diagnosis delay time	Extremely long time

POSSIBLE CAUSE

- Harness or connectors
(Stop lamp switch circuit is open or shorted.)
- Stop lamp switch

FAIL-SAFE

Engine operating condition in fail-safe mode		
Fail safe mode	Vehicle behavior	
Brake switch	ECM controls the electric throttle control actuator by regulating the throttle opening to a small range. Therefore, acceleration will be poor.	
	Vehicle condition	Driving condition
	When engine is idling	Normal
	When accelerating	Poor acceleration

DTC CONFIRMATION PROCEDURE

1. PERFORM DTC CONFIRMATION PROCEDURE

1. Turn ignition switch ON.
2. Fully depress the brake pedal for at least 5 seconds.
3. Erase the DTC with CONSULT.
4. Check 1st trip DTC.

Is 1st trip DTC detected?

- YES >> Go to [EC-493, "Diagnosis Procedure"](#).
- NO-1 >> To check malfunction symptom before repair: Refer to [GI-41, "Intermittent Incident"](#).
- NO-2 >> Confirmation after repair: INSPECTION END

Diagnosis Procedure

INFOID:0000000011939971

1. CHECK STOP LAMP SWITCH CIRCUIT

1. Turn ignition switch OFF.
2. Check the stop lamp when depressing and releasing the brake pedal.

Brake pedal	Stop lamp
Fully released	Not illuminated
Slightly depressed	Illuminated

P1805 BRAKE SWITCH

[VQ35DE]

< DTC/CIRCUIT DIAGNOSIS >

Is the inspection result normal?

- YES >> INSPECTION END
- NO >> GO TO 2.

2. CHECK STOP LAMP RELAY POWER SUPPLY CIRCUIT

1. Turn ignition switch OFF.
2. Disconnect stop lamp relay harness connector.
3. Check the voltage between stop lamp relay harness connector and ground.

+		-	Voltage
Stop lamp relay			
Connector	Terminal		
E34	1	Ground	Battery voltage

Is the inspection result normal?

- YES >> GO TO 3.
- NO >> Perform the trouble diagnosis for power supply circuit.

3. CHECK STOP LAMP SWITCH POWER SUPPLY CIRCUIT-I

1. Reconnect stop lamp relay harness connector.
2. Disconnect stop lamp switch harness connector.
3. Check the voltage between stop lamp switch harness connector and ground.

+		-	Voltage
Stop lamp switch			
Connector	Terminal		
E38	2	Ground	Battery voltage

Is the inspection result normal?

- YES >> GO TO 5.
- NO >> GO TO 4.

4. CHECK STOP LAMP SWITCH POWER SUPPLY CIRCUIT-II

1. Disconnect stop lamp relay harness connector.
2. Check the continuity between stop lamp switch harness connector and stop lamp relay harness connector.

+		-		Continuity
Stop lamp switch		Stop lamp relay		
Connector	Terminal	Connector	Terminal	
E38	2	E34	2	Existed

3. Also check harness for short to ground and to power.

Is the inspection result normal?

- YES >> INSPECTION END
- NO >> Repair or replace error-detected parts.

5. CHECK STOP LAMP SWITCH GROUND CIRCUIT

Check the continuity between stop lamp switch harness connector and ground.

+		-	Continuity
Stop lamp switch			
Connector	Terminal		
E38	1	Ground	Existed

Is the inspection result normal?

P1805 BRAKE SWITCH

[VQ35DE]

< DTC/CIRCUIT DIAGNOSIS >

- YES >> GO TO 6.
- NO >> Perform the trouble diagnosis for power supply circuit.

6.CHECK STOP LAMP SWITCH

Check the stop lamp switch. Refer to [EC-495. "Component Inspection \(Stop Lamp Switch\)".](#)

Is the inspection result normal?

- YES >> GO TO 7.
- NO >> Replace stop lamp switch. Refer to [BR-20. "Exploded View".](#)

7.CHECK STOP LAMP SWITCH SIGNAL POWER SUPPLY

Check the voltage between stop lamp relay harness connector and ground.

+		-	Voltage
Stop lamp relay			
Connector	Terminal	Ground	Battery voltage
E34	3		

Is the inspection result normal?

- YES >> GO TO 8.
- NO >> Perform the trouble diagnosis for power supply circuit.

8.CHECK STOP LAMP SWITCH SIGNAL CIRCUIT

1. Disconnect ECM harness connector.
2. Check the continuity between stop lamp relay harness connector and ECM harness connector.

+		-		Continuity
Stop lamp relay		ECM		
Connector	Terminal	Connector	Terminal	Existed
E34	5	E10	139	

3. Also check harness for short to ground and to power.

Is the inspection result normal?

- YES >> GO TO 9.
- NO >> Repair or replace error-detected parts

9.CHECK STOP LAMP RELAY

Check the stop lamp relay. Refer to [EC-496. "Component Inspection \(Stop Lamp Relay\)".](#)

Is the inspection result normal?

- YES >> INSPECTION END.
- NO >> Replace stop lamp relay.

Component Inspection (Stop Lamp Switch)

INFOID:000000011939972

1.CHECK STOP LAMP SWITCH-I

1. Turn ignition switch OFF.
2. Disconnect stop lamp switch harness connector.
3. Check the continuity between stop lamp switch terminals under the following conditions.

Terminals	Condition		Continuity
1 and 2	Brake pedal	Fully released	Not existed
		Slightly depressed	Existed

Is the inspection result normal?

- YES >> INSPECTION END
- NO >> GO TO 2.

P1805 BRAKE SWITCH

[VQ35DE]

< DTC/CIRCUIT DIAGNOSIS >

2. CHECK STOP LAMP SWITCH-II

1. Adjust stop lamp switch installation. Refer to [BR-12. "Adjustment"](#).
2. Check the continuity between stop lamp switch terminals under the following conditions.

Terminals	Condition		Continuity
1 and 2	Brake pedal	Fully released	Not existed
		Slightly depressed	Existed

Is the inspection result normal?

YES >> INSPECTION END

NO >> Replace stop lamp switch. Refer to [BR-20. "Exploded View"](#).

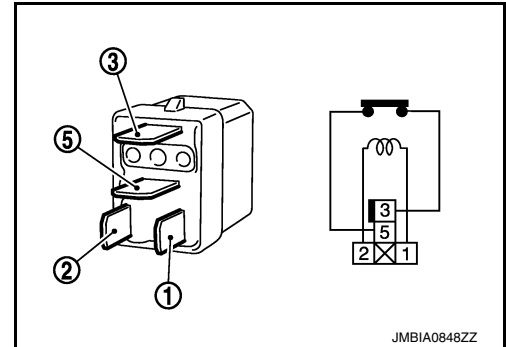
Component Inspection (Stop Lamp Relay)

INFOID:000000012461056

1. CHECK STOP LAMP RELAY

1. Turn ignition switch OFF.
2. Remove stop lamp relay.
3. Check the continuity between stop lamp relay terminals as per the following conditions.

Stop lamp relay		Condition	Continuity
+	-		
Terminal			
3	5	12 V direct current supply between terminals 1 and 2	Existed
		No current supply	Not existed



JMBIA0848ZZ

Is the inspection result normal?

YES >> INSPECTION END

NO >> Replace stop lamp relay.

P2096, P2097, P2098, P2099 A/F SENSOR 1

< DTC/CIRCUIT DIAGNOSIS >

[VQ35DE]

P2096, P2097, P2098, P2099 A/F SENSOR 1

DTC Description

INFOID:000000011939973

DTC DETECTION LOGIC

DTC	CONSULT screen terms (Trouble diagnosis content)	DTC detection condition	
P2096	POST CAT FUEL TRIM SYS B1 (Post catalyst fuel trim system too lean bank 1)	Diagnosis condition	—
		Signal (terminal)	—
		Threshold	The output voltage computed by ECM from the A/F sensor 1 signal is shifts to the lean side for a specified period
		Diagnosis delay time	—
P2097	POST CAT FUEL TRIM SYS B1 (Post catalyst fuel trim system too rich bank 1)	Diagnosis condition	—
		Signal (terminal)	—
		Threshold	The A/F signal computed by ECM from the A/F sensor 1 signal is shifts to the rich side for a specified period
		Diagnosis delay time	—
P2098	POST CAT FUEL TRIM SYS B2 (Post catalyst fuel trim system too lean bank 2)	Diagnosis condition	—
		Signal (terminal)	—
		Threshold	The output voltage computed by ECM from the A/F sensor 1 signal is shifts to the lean side for a specified period
		Diagnosis delay time	—
P2099	POST CAT FUEL TRIM SYS B2 (Post catalyst fuel trim system too rich bank 2)	Diagnosis condition	—
		Signal (terminal)	—
		Threshold	The A/F signal computed by ECM from the A/F sensor 1 signal is shifts to the rich side for a specified period
		Diagnosis delay time	—

POSSIBLE CAUSE

DTC P2096

- A/F sensor 1 (bank 1)
- A/F sensor 1 heater
- Heated oxygen sensor 2 (bank 1)
- Fuel pressure
- Fuel injector
- Intake air leaks
- Exhaust gas leaks

DTC P2097

- A/F sensor 1 (bank 1)
- A/F sensor 1 heater
- Heated oxygen sensor 2 (bank 1)
- Fuel pressure
- Fuel injector
- Intake air leaks
- Exhaust gas leaks

DTC P2098

- A/F sensor 1 (bank 2)
- A/F sensor 1 heater
- Heated oxygen sensor 2 (bank 2)

< DTC/CIRCUIT DIAGNOSIS >

- Fuel pressure
- Fuel injector
- Intake air leaks
- Exhaust gas leaks

DTC P2099

- A/F sensor 1 (bank 2)
- A/F sensor 1 heater
- Heated oxygen sensor 2 (bank 2)
- Fuel pressure
- Fuel injector
- Intake air leaks
- Exhaust gas leaks

FAIL-SAFE

Not applicable

DTC CONFIRMATION PROCEDURE

1.PRECONDITIONING

If DTC Confirmation Procedure has been previously conducted, always perform the following before conducting the next test.

1. Turn ignition switch OFF and wait at least 10 seconds.
2. Turn ignition switch ON.
3. Turn ignition switch OFF and wait at least 10 seconds.

TESTING CONDITION:

Before performing the following procedure, confirm that battery voltage is more than 11 V at idle.

>> GO TO 2.

2.PERFORM DTC CONFIRMATION PROCEDURE

1. Clear the mixture ratio self-learning value. Refer to [EC-162, "Description"](#).
2. Turn ignition switch OFF and wait at least 10 seconds.
3. Turn ignition switch ON.
4. Turn ignition switch OFF and wait at least 10 seconds.
5. Start engine and keep the engine speed between 3,500 and 4,000 rpm for 1 minute under no load.
6. Let engine idle for 1 minute.
7. Keep engine speed between 2,500 and 3,000 rpm for 20 minutes.
8. Check 1st trip DTC.

Is 1st trip DTC detected?

YES >> Proceed to [EC-498, "Diagnosis Procedure"](#).

NO-1 >> To check malfunction symptom before repair: Refer to [GI-41, "Intermittent Incident"](#).

NO-2 >> Confirmation after repair: INSPECTION END

Diagnosis Procedure

INFOID:000000011939974

1.RETIGHTEN A/F SENSOR 1 AND HEATED OXYGEN SENSOR 2

Loosen and retighten the A/F sensor 1 and heated oxygen sensor 2. Refer to [EM-32, "Removal and Installation \(bank 2\)"](#), [EM-34, "Removal and Installation \(bank 1\)"](#).

>> GO TO 2.

2.CHECK FOR EXHAUST GAS LEAK

1. Start engine and run it at idle.
2. Listen for an exhaust gas leak before the three way catalyst 2.

Is exhaust gas leak detected?

YES >> Repair or replace.

NO >> GO TO 3.

3.CHECK FOR INTAKE AIR LEAKAGE

P2096, P2097, P2098, P2099 A/F SENSOR 1

[VQ35DE]

< DTC/CIRCUIT DIAGNOSIS >

1. Start engine and run it at idle.
2. Listen for an intake air leakage after the mass air flow sensor.

Is intake air leakage detected?

- YES >> GO TO 4.
NO >> Repair or replace malfunctioning part.

4. CLEAR THE MIXTURE RATIO SELF-LEARNING VALUE

1. Clear the mixture ratio self-learning value. Refer to [EC-162. "Description"](#).
2. Run engine for at least 10 minutes at idle speed.

Is the 1st trip DTC P0171, P0172, P0174 or P0175 detected? Is it difficult to start engine?

- YES >> Perform trouble diagnosis for DTC P0171, P0174 or P0172, P0175. Refer to [EC-289. "DTC Description"](#) or [EC-294. "DTC Description"](#).
NO >> GO TO 5.

5. CHECK HARNESS CONNECTOR

1. Turn ignition switch OFF.
2. Disconnect A/F sensor 1 harness connector.
3. Check harness connector for water.

Water should not exit.

Is the inspection result normal?

- YES >> GO TO 6.
NO >> Repair or replace harness connector.

6. CHECK AIR FUEL RATIO (A/F) SENSOR 1 POWER SUPPLY

1. Disconnect A/F sensor 1 harness connector.
2. Turn ignition switch ON.
3. Check the voltage between A/F sensor 1 harness connector and ground.

DTC	+			-	Voltage
	A/F sensor				
	Bank	Connector	Terminal		
P2096 P2097	1	F12	1	Ground	Battery voltage
P2098 P2099	2	F61	1		

Is the inspection result normal?

- YES >> GO TO 8.
NO >> GO TO 7.

7. CHECK AIR FUEL RATIO (A/F) SENSOR 1 POWER SUPPLY CIRCUIT

1. Turn ignition switch OFF.
2. Disconnect IPDM E/R harness connector.
3. Check the continuity between A/F sensor 1 harness connector and IPDM E/R harness connector.

DTC	A/F sensor 1			IPDM E/R		Continuity
	Bank	Connector	Terminal	Connector	Terminal	
P2096 P2097	1	F12	1	F50	52	Existed
P2098 P2099	2	F61	1		53	

Is the inspection result normal?

- YES >> Perform the trouble diagnosis for power supply circuit.
NO >> Repair or replace error-detected parts.

P2096, P2097, P2098, P2099 A/F SENSOR 1

[VQ35DE]

< DTC/CIRCUIT DIAGNOSIS >

8. CHECK A/F SENSOR 1 INPUT SIGNAL CIRCUIT FOR OPEN AND SHORT

1. Turn ignition switch OFF.
2. Disconnect ECM harness connector.
3. Check the continuity between A/F sensor 1 harness connector and ECM harness connector.

DTC	A/F sensor 1			ECM		Continuity
	Bank	Connector	Terminal	Connector	Terminal	
P2096 P2097	1	F12	3	F14	66	Existed
			4		67	
P2098 P2099	2	F61	3		76	
			4		77	

4. Check the continuity between A/F sensor 1 harness connector and ground, or ECM harness connector and ground.

DTC	A/F sensor 1			Ground	Continuity
	Bank	Connector	Terminal		
P2096 P2097	1	F12	3	Ground	Not existed
			4		
P2098 P2099	2	F61	3		
			4		

DTC	ECM		Ground	Continuity
	Connector	Terminal		
P2096 P2097	F14	66	Ground	Not existed
		67		
P2098 P2099		76		
		77		

5. Also check harness for short to power.

Is the inspection result normal?

YES >> GO TO 9.

NO >> Repair open circuit, short to ground or short to power in harness or connectors.

9. CHECK A/F SENSOR 1 HEATER

Check A/F sensor 1 heater. Refer to [EC-209, "Component Inspection"](#).

Is the inspection result normal?

YES >> GO TO 10.

NO >> GO TO 12.

10. CHECK HEATED OXYGEN SENSOR 2

Check heated oxygen sensor 2. Refer to [EC-212, "Component Inspection"](#).

Is the inspection result normal?

YES >> INSPECTION END

NO >> Replace malfunctioning heated oxygen sensor 2.

11. REPLACE AIR FUEL RATIO (A/F) SENSOR 1

Replace malfunctioning air fuel ratio (A/F) sensor 1. Refer to [EM-32, "Removal and Installation \(bank 2\)"](#), [EM-34, "Removal and Installation \(bank 1\)"](#).

Do you have CONSULT?

YES >> GO TO 12.

NO >> GO TO 13.

12.CONFIRM A/F ADJUSTMENT DATA

With CONSULT

- 1. Turn ignition switch ON.
- 2. Select "A/F ADJ-B1" and "A/F ADJ-B2" in "DATA MONITOR" mode with CONSULT.
- 3. Make sure that "0.000" is displayed on CONSULT screen.

Is "0.000" displayed?

- YES >> INSPECTION END
- NO >> GO TO 13.

13.CLEAR THE MIXTURE RATIO SELF-LEARNING VALUE

Clear the mixture ratio self-learning value. Refer to [EC-162, "Description"](#).

Do you have CONSULT?

- YES >> GO TO 15.
- NO >> INSPECTION END

14.CONFIRM A/F ADJUSTMENT DATA

With CONSULT

- 1. Turn ignition switch ON.
- 2. Select "A/F ADJ-B1" and "A/F ADJ-B2" in "DATA MONITOR" mode with CONSULT.
- 3. Make sure that "0.000" is displayed on CONSULT screen.

>> INSPECTION END

A
EC
C
D
E
F
G
H
I
J
K
L
M
N
O
P

P2100, P2103 THROTTLE CONTROL MOTOR RELAY

< DTC/CIRCUIT DIAGNOSIS >

[VQ35DE]

P2100, P2103 THROTTLE CONTROL MOTOR RELAY

DTC Description

INFOID:000000011939975

DTC DETECTION LOGIC

- ECM detects that the voltage of power source for throttle control motor is excessively low.
- ECM detects that the throttle control motor relay is stuck ON.

DTC	CONSULT screen terms (Trouble diagnosis content)	DTC detection condition	
		Diagnosis condition	Start engine and let it idle
P2100	ETC MOT PWR-B1 (Throttle actuator "A" control motor circuit/open)	Signal (terminal)	Throttle control motor circuit
		Threshold	ECM detects that the voltage of power source for throttle control motor is excessively low
		Diagnosis delay time	—
		Diagnosis condition	Ignition switch ON
P2103	ETC MOT PWR-B1 (Throttle actuator "A" control motor circuit high)	Signal (terminal)	Throttle control motor circuit
		Threshold	ECM detects that the throttle control motor relay is stuck ON
		Diagnosis delay time	—
		Diagnosis condition	Ignition switch ON

POSSIBLE CAUSE

DTC P2100

- Harness or connectors
(Throttle control motor relay circuit is open)
- Throttle control motor relay

DTC P2103

- Harness or connectors
(Throttle control motor relay circuit is shorted)
- Throttle control motor relay

FAIL-SAFE

Engine operating condition in fail-safe mode	
Fail safe mode	Vehicle behavior
Throttle control motor relay	ECM stops the electric throttle control actuator control, throttle valve is maintained at a fixed opening (approx. 5 degrees) by the return spring.

DTC CONFIRMATION PROCEDURE

1. PRECONDITIONING

If DTC Confirmation Procedure has been previously conducted, always perform the following before conducting the next test.

1. Turn ignition switch OFF and wait at least 10 seconds.
2. Turn ignition switch ON.
3. Turn ignition switch OFF and wait at least 10 seconds.

TESTING CONDITION:

Before performing the following procedure, confirm that battery voltage is more than 8 V.

With DTC is detected?

- P2100 >> GO TO 2.
- P2103 >> GO TO 3.

2. PERFORM DTC CONFIRMATION PROCEDURE FOR DTC P2100

1. Turn ignition switch ON and wait at least 2 seconds.
2. Start engine and let it idle for 5 seconds.
3. Check DTC.

P2100, P2103 THROTTLE CONTROL MOTOR RELAY

< DTC/CIRCUIT DIAGNOSIS >

[VQ35DE]

Is DTC detected?

- YES >> Proceed to [EC-503, "Diagnosis Procedure"](#).
- NO >> INSPECTION END

3. PERFORM DTC CONFIRMATION PROCEDURE FOR DTC P2103

1. Turn ignition switch ON and wait at least 1 second.
2. Check DTC.

Is DTC detected?

- YES >> Proceed to [EC-503, "Diagnosis Procedure"](#).
- NO-1 >> To check malfunction symptom before repair: Refer to [GI-41, "Intermittent Incident"](#).
- NO-2 >> Confirmation after repair: INSPECTION END

Diagnosis Procedure

INFOID:000000011939976

1. CHECK THROTTLE CONTROL MOTOR RELAY POWER SUPPLY CIRCUIT

1. Turn ignition switch OFF.
2. Disconnect ECM harness connector.
3. Disconnect IPDM E/R harness connector.
4. Check the continuity between IPDM E/R harness connector and ECM harness connector.

IPDM E/R		ECM		Continuity
Connector	Terminal	Connector	Terminal	
F50	57	F13	2	Existed

5. Also check harness for short to ground and short to power.

Is the inspection result normal?

- YES >> GO TO 2.
- NO >> Repair open circuit, short to ground or short to power in harness or connectors.

2. CHECK THROTTLE CONTROL MOTOR RELAY INPUT SIGNAL CIRCUIT

1. Check the continuity between IPDM E/R harness connector and ECM harness connector.

IPDM E/R		ECM		Continuity
Connector	Terminal	Connector	Terminal	
F51	65	F13	8	Existed

2. Also check harness for short to ground and short to power.

Is the inspection result normal?

- YES >> Perform the trouble diagnosis for power supply circuit.
- NO >> Repair open circuit, short to ground or short to power in harness or connectors.

P2101 ELECTRIC THROTTLE CONTROL FUNCTION

< DTC/CIRCUIT DIAGNOSIS >

[VQ35DE]

P2101 ELECTRIC THROTTLE CONTROL FUNCTION

DTC Description

INFOID:000000011939977

DTC DETECTION LOGIC

DTC	CONSULT screen terms (Trouble diagnosis content)	DTC detection condition	
P2101	ETC FNCTN/CIRC-B1 (Throttle actuator "A" control motor circuit range/performance)	Diagnosis condition	Start engine and let it idle
		Signal (terminal)	—
		Threshold	Electric throttle control function does not operate properly
		Diagnosis delay time	—

POSSIBLE CAUSE

- Harness or connectors
(Throttle control motor circuit is open or shorted)
- Electric throttle control actuator

FAIL-SAFE

Engine operating condition in fail-safe mode	
Fail safe mode	Vehicle behavior
Electric throttle control function	ECM stops the electric throttle control actuator control, throttle valve is maintained at a fixed opening (approx. 5 degrees) by the return spring.

DTC CONFIRMATION PROCEDURE

1. CHECK DTC PRIORITY

If DTC P2101 is displayed with DTC P2100 or P2119, first perform the confirmation procedure for DTC P2100 or P2119.

Is applicable DTC detected?

- YES >> Perform diagnosis of applicable.
- DTC P2100: Refer to [EC-502, "DTC Description"](#).
 - DTC P2119: Refer to [EC-509, "DTC Description"](#).
- NO >> GO TO 2.

2. PRECONDITIONING

If DTC Confirmation Procedure has been previously conducted, always perform the following before conducting the next test.

1. Turn ignition switch OFF and wait at least 10 seconds.
2. Turn ignition switch ON.
3. Turn ignition switch OFF and wait at least 10 seconds.

TESTING CONDITION:

Before performing the following procedure, confirm that battery voltage is more than 11 V when engine is running.

>> GO TO 3.

3. PERFORM DTC CONFIRMATION PROCEDURE

1. Turn ignition switch ON and wait at least 2 seconds.
2. Start engine and let it idle for 5 seconds.
3. Check DTC.

Is DTC detected?

- YES >> Proceed to [EC-505, "Diagnosis Procedure"](#).
- NO-1 >> To check malfunction symptom before repair: Refer to [GI-41, "Intermittent Incident"](#).
- NO-2 >> Confirmation after repair: INSPECTION END

P2101 ELECTRIC THROTTLE CONTROL FUNCTION

< DTC/CIRCUIT DIAGNOSIS >

[VQ35DE]

Diagnosis Procedure

INFOID:000000011939978

1. CHECK DTC PRIORITY

If DTC P2101 is displayed with DTC P2100 or P2119, first perform the confirmation procedure for DTC P2100 or P2119.

Is applicable DTC detected?

- YES >> Perform diagnosis of applicable.
- DTC P2100: Refer to [EC-502, "DTC Description"](#).
 - DTC P2119: Refer to [EC-509, "DTC Description"](#).
- NO >> GO TO 2.

2. CHECK THROTTLE CONTROL MOTOR RELAY INPUT SIGNAL

1. Check the voltage between ECM harness connector terminals.

ECM				Condition	Voltage
+		-			
Connector	Terminal	Condition	Terminal		
F13	8	E10	152	Ignition switch OFF	Approx. 0 V
				Ignition switch ON	Battery voltage

Is the inspection result normal?

- YES >> GO TO 5.
NO >> GO TO 3.

3. CHECK THROTTLE CONTROL MOTOR RELAY POWER SUPPLY CIRCUIT

1. Turn ignition switch OFF.
2. Disconnect ECM harness connector.
3. Disconnect IPDM E/R harness connector.
4. Check the continuity between IPDM E/R harness connector and ECM harness connector.

IPDM E/R		ECM		Continuity
Connector	Terminal	Connector	Terminal	
F50	57	F13	2	Existed

5. Also check harness for short to ground and short to power.

Is the inspection result normal?

- YES >> GO TO 4.
NO >> Repair open circuit, short to ground or short to power in harness or connectors.

4. CHECK THROTTLE CONTROL MOTOR RELAY INPUT SIGNAL CIRCUIT

1. Check the continuity between IPDM E/R harness connector and ECM harness connector.

IPDM E/R		ECM		Continuity
Connector	Terminal	Connector	Terminal	
F51	65	F13	8	Existed

2. Also check harness for short to ground and short to power.

Is the inspection result normal?

- YES >> Perform the trouble diagnosis for power supply circuit.
NO >> Repair open circuit, short to ground or short to power in harness or connectors.

5. CHECK THROTTLE CONTROL MOTOR OUTPUT SIGNAL CIRCUIT FOR OPEN OR SHORT

1. Turn ignition switch OFF.
2. Disconnect electric throttle control actuator harness connector.
3. Disconnect ECM harness connector.

P2101 ELECTRIC THROTTLE CONTROL FUNCTION

[VQ35DE]

< DTC/CIRCUIT DIAGNOSIS >

- Check the continuity between electric throttle control actuator harness connector and ECM harness connector.

Electric throttle control actuator		ECM		Continuity
Connector	Terminal	Connector	Terminal	
F57	1	F13	1	Not existed
			3	Existed
	2		1	Existed
			3	Not existed

- Also check harness for short to ground and short to power.

Is the inspection result normal?

YES >> GO TO 6.

NO >> Repair or replace malfunctioning part.

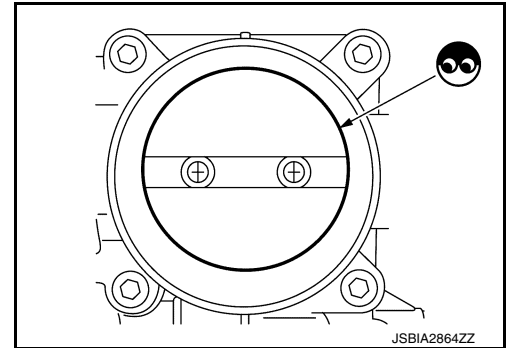
6. CHECK ELECTRIC THROTTLE CONTROL ACTUATOR VISUALLY

- Remove the intake air duct. Refer to [EM-26, "Removal and Installation"](#).
- Check if foreign matter is caught between the throttle valve and the housing.

Is the inspection result normal?

YES >> GO TO 7.

NO >> Remove the foreign matter and clean the electric throttle control actuator inside, refer to [EM-27, "Removal and Installation"](#), and then perform Throttle Valve Closed Position Learning. Refer to [EC-159, "Description"](#).



7. CHECK THROTTLE CONTROL MOTOR

Check throttle control motor. Refer to [EC-506, "Component Inspection"](#).

Is the inspection result normal?

YES >> INSPECTION END

NO >> Replace electric throttle control actuator. Refer to [EM-27, "Removal and Installation"](#).

Component Inspection

INFOID:000000011939979

1. CHECK THROTTLE CONTROL MOTOR

- Turn ignition switch OFF.
- Disconnect electric throttle control actuator harness connector.
- Check resistance between electric throttle control actuator terminals as per the following.

Terminals	Resistance
1 and 2	Approx. 1 - 15 Ω [at 25°C (77°F)]

Is the inspection result normal?

YES >> INSPECTION END

NO >> Replace electric throttle control actuator. Refer to [EM-27, "Removal and Installation"](#).

P2118 THROTTLE CONTROL MOTOR

< DTC/CIRCUIT DIAGNOSIS >

[VQ35DE]

P2118 THROTTLE CONTROL MOTOR

DTC Description

INFOID:0000000011939980

DTC DETECTION LOGIC

DTC	CONSULT screen terms (Trouble diagnosis content)	DTC detection condition	
P2118	ETC MOT-B1 (Throttle actuator control motor current range/performance)	Diagnosis condition	Start engine and let it idle
		Signal (terminal)	Throttle control motor circuit
		Threshold	ECM detects short in both circuits between ECM and throttle control motor
		Diagnosis delay time	—

POSSIBLE CAUSE

- Harness or connectors
(Throttle control motor circuit is shorted.)
- Electric throttle control actuator
(Throttle control motor)

FAIL-SAFE

Engine operating condition in fail-safe mode	
Fail safe mode	Vehicle behavior
Throttle control motor	ECM stops the electric throttle control actuator control, throttle valve is maintained at a fixed opening (approx. 5 degrees) by the return spring.

DTC CONFIRMATION PROCEDURE

1. PRECONDITIONING

If DTC Confirmation Procedure has been previously conducted, always perform the following before conducting the next test.

1. Turn ignition switch OFF and wait at least 10 seconds.
2. Turn ignition switch ON.
3. Turn ignition switch OFF and wait at least 10 seconds.

>> GO TO 2.

2. PERFORM DTC CONFIRMATION PROCEDURE

1. Turn ignition switch ON and wait at least 2 seconds.
2. Start engine and let it idle for 5 seconds.
3. Check DTC.

Is DTC detected?

- YES >> Proceed to [EC-507, "Diagnosis Procedure"](#).
- NO-1 >> To check malfunction symptom before repair: Refer to [GI-41, "Intermittent Incident"](#).
- NO-2 >> Confirmation after repair: INSPECTION END

Diagnosis Procedure

INFOID:0000000011939981

1. CHECK THROTTLE CONTROL MOTOR OUTPUT SIGNAL CIRCUIT FOR OPEN AND SHORT

1. Disconnect electric throttle control actuator harness connector.
2. Disconnect ECM harness connector.
3. Check the continuity between electric throttle control actuator harness connector and ECM harness connector.

P2118 THROTTLE CONTROL MOTOR

< DTC/CIRCUIT DIAGNOSIS >

[VQ35DE]

Electric throttle control actuator		ECM		Continuity
Connector	Terminal	Connector	Terminal	
F57	1	F13	1	Not existed
			3	Existed
	2		1	Existed
			3	Not existed

4. Also check harness for short to ground and short to power.

Is the inspection result normal?

YES >> GO TO 2.

NO >> Repair or replace malfunctioning part.

2.CHECK THROTTLE CONTROL MOTOR

Check throttle control motor. Refer to [EC-508. "Component Inspection"](#).

Is the inspection result normal?

YES >> INSPECTION END

NO >> Replace electric throttle control actuator. Refer to [EM-27. "Removal and Installation"](#).

Component Inspection

INFOID:0000000011939982

1.CHECK THROTTLE CONTROL MOTOR

1. Turn ignition switch OFF.
2. Disconnect electric throttle control actuator harness connector.
3. Check resistance between electric throttle control actuator terminals as per the following.

Terminals	Resistance
1 and 2	Approx. 1 - 15 Ω [at 25°C (77°F)]

Is the inspection result normal?

YES >> INSPECTION END

NO >> Replace electric throttle control actuator. Refer to [EM-27. "Removal and Installation"](#).

P2119 ELECTRIC THROTTLE CONTROL ACTUATOR

< DTC/CIRCUIT DIAGNOSIS >

[VQ35DE]

P2119 ELECTRIC THROTTLE CONTROL ACTUATOR

DTC Description

INFOID:000000011939983

DTC DETECTION LOGIC

DTC	CONSULT screen terms (Trouble diagnosis content)	DTC detection condition		
P2119	ETC ACTR-B1 (Throttle actuator control throttle body range/performance)	1	Diagnosis condition	—
			Signal (terminal)	—
			Threshold	Electric throttle control actuator does not function properly due to the return spring malfunction
			Diagnosis delay time	—
		2	Diagnosis condition	—
			Signal (terminal)	—
			Threshold	Throttle valve opening angle in fail-safe mode is not in specified range
			Diagnosis delay time	—
		3	Diagnosis condition	—
			Signal (terminal)	—
			Threshold	ECM detects that the throttle valve is stuck open
			Diagnosis delay time	—

POSSIBLE CAUSE

- Electric throttle control actuator

FAIL-SAFE

Engine operating condition in fail-safe mode	
Fail safe mode	Vehicle behavior
Electric throttle control actuator	(When electric throttle control actuator does not function properly due to the return spring malfunction:) ECM controls the electric throttle actuator by regulating the throttle opening around the idle position. The engine speed will not rise more than 2,000 rpm.
	(When throttle valve opening angle in fail-safe mode is not in specified range:) ECM controls the electric throttle control actuator by regulating the throttle opening to 20 degrees or less.
	(When ECM detects the throttle valve is stuck open:) While the vehicle is being driven, it slows down gradually because of fuel cut. After the vehicle stops, the engine stalls. The engine can restart in the N or P position, and engine speed will not exceed 1,000 rpm or more.

DTC CONFIRMATION PROCEDURE

1. PRECONDITIONING

If DTC Confirmation Procedure has been previously conducted, always perform the following before conducting the next test.

1. Turn ignition switch OFF and wait at least 10 seconds.
2. Turn ignition switch ON.
3. Turn ignition switch OFF and wait at least 10 seconds.

>> GO TO 2.

P2119 ELECTRIC THROTTLE CONTROL ACTUATOR

< DTC/CIRCUIT DIAGNOSIS >

[VQ35DE]

2. PERFORM DTC CONFIRMATION PROCEDURE FOR MALFUNCTION 1 AND 2

1. Turn ignition switch ON and wait at least 1 second.
2. Shift selector lever to the D position and wait at least 3 seconds.
3. Shift selector lever to the P position.
4. Turn ignition switch OFF and wait at least 10 seconds.
5. Turn ignition switch ON and wait at least 1 second.
6. Shift selector lever to the D position and wait at least 3 seconds.
7. Shift selector lever to the P position.
8. Turn ignition switch OFF, wait at least 10 seconds, and then turn ON.
9. Check DTC.

Is DTC detected?

- YES >> Proceed to [EC-510, "Diagnosis Procedure"](#).
NO >> GO TO 3.

3. PERFORM DTC CONFIRMATION PROCEDURE FOR MALFUNCTION 3

1. Turn ignition switch ON and wait at least 1 second.
2. Shift selector lever to the D position and wait at least 3 seconds.
3. Shift selector lever to the N or P position.
4. Start engine and let it idle for 3 seconds.
5. Check DTC.

Is DTC detected?

- YES >> Proceed to [EC-510, "Diagnosis Procedure"](#).
NO-1 >> To check malfunction symptom before repair: Refer to [GI-41, "Intermittent Incident"](#).
NO-2 >> Confirmation after repair: INSPECTION END

Diagnosis Procedure

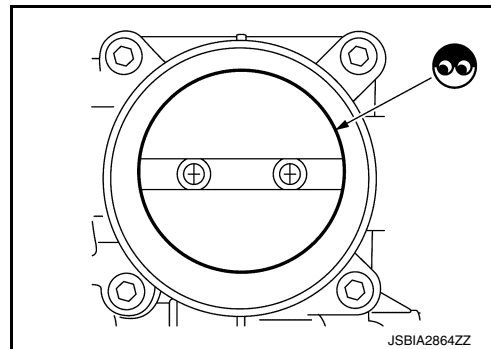
INFOID:000000011939984

1. CHECK ELECTRIC THROTTLE CONTROL ACTUATOR VISUALLY

1. Turn ignition switch OFF.
2. Remove the intake air duct. Refer to [EM-26, "Removal and Installation"](#).
3. Check if foreign matter is caught between the throttle valve and the housing.

Is the inspection result normal?

- YES >> GO TO 2.
NO >> Remove the foreign matter and clean the electric throttle control actuator inside, and then perform Throttle Valve Closed Position Learning. Refer to [EC-159, "Description"](#).



2. REPLACE ELECTRIC THROTTLE CONTROL ACTUATOR

1. Replace electric throttle control actuator. Refer to [EM-27, "Removal and Installation"](#).
2. Perform Idle Air Volume Learning. Refer to [EC-160, "Description"](#).

>> INSPECTION END

P2122, P2123 APP SENSOR

< DTC/CIRCUIT DIAGNOSIS >

[VQ35DE]

P2122, P2123 APP SENSOR

DTC Description

INFOID:000000011939985

DTC DETECTION LOGIC

- An excessively low voltage from the APP sensor 1 is sent to ECM.
- An excessively high voltage from the APP sensor 1 is sent to ECM.

DTC	CONSULT screen terms (Trouble diagnosis content)	DTC detection condition	
		Diagnosis condition	Start engine and let it idle
P2122	APP SEN 1/CIRC (Throttle/Pedal position sensor/switch "D" circuit low)	Signal (terminal)	Voltage signal transmitted from APP sensor 1 to ECM
		Threshold	An excessively low voltage is sent to ECM
		Diagnosis delay time	—
		Diagnosis condition	Start engine and let it idle
P2123	APP SEN 1/CIRC (Throttle/Pedal position sensor/switch "D" circuit high)	Signal (terminal)	Voltage signal transmitted from APP sensor 1 to ECM
		Threshold	An excessively high voltage is sent to ECM
		Diagnosis delay time	—
		Diagnosis condition	Start engine and let it idle

POSSIBLE CAUSE

DTC P2122

- Harness or connectors
(APP sensor 1 circuit is open or shorted.)
- Accelerator pedal position sensor
(APP sensor 1)

DTC P2123

- Harness or connectors
(APP sensor 1 circuit is open or shorted.)
- Accelerator pedal position sensor
(APP sensor 1)

FAIL-SAFE

Engine operating condition in fail-safe mode	
Fail safe mode	Vehicle behavior
Accelerator pedal position sensor	The ECM controls the electric throttle control actuator in regulating the throttle opening in order for the idle position to be within +10 degrees. The ECM regulates the opening speed of the throttle valve to be slower than the normal condition. Therefore, the acceleration will be poor.

DTC CONFIRMATION PROCEDURE

1. CHECK DTC PRIORITY

If DTC P2122 or P2123 is displayed with DTC P0643, first perform the trouble diagnosis for DTC P0643.

Is applicable DTC detected?

- YES >> Perform diagnosis of applicable. Refer to [EC-424. "DTC Description"](#).
NO >> GO TO 2.

2. PRECONDITIONING

If DTC Confirmation Procedure has been previously conducted, always perform the following before conducting the next test.

1. Turn ignition switch OFF and wait at least 10 seconds.
2. Turn ignition switch ON.
3. Turn ignition switch OFF and wait at least 10 seconds.

P2122, P2123 APP SENSOR

[VQ35DE]

< DTC/CIRCUIT DIAGNOSIS >

TESTING CONDITION:

Before performing the following procedure, confirm that battery voltage is more than 10 V at idle.

>> GO TO 3.

3.PERFORM DTC CONFIRMATION PROCEDURE

1. Start engine and let it idle for 1 second.
2. Check DTC.

Is DTC detected?

- YES >> Proceed to [EC-512, "Diagnosis Procedure"](#).
NO-1 >> To check malfunction symptom before repair: Refer to [GI-41, "Intermittent Incident"](#).
NO-2 >> Confirmation after repair: INSPECTION END

Diagnosis Procedure

INFOID:000000011939986

1.CHECK DTC PRIORITY

If DTC P2122 or P2123 is displayed with DTC P0643, first perform the trouble diagnosis for DTC P0643.

Is applicable DTC detected?

- YES >> Perform diagnosis of applicable. Refer to [EC-424, "DTC Description"](#).
NO >> GO TO 2.

2.CHECK APP SENSOR 1 POWER SUPPLY

1. Disconnect accelerator pedal position (APP) sensor harness connector.
2. Turn ignition switch ON.
3. Check the voltage between APP sensor harness connector and ground.

+		-	Voltage (Approx.)
APP sensor			
Connector	Terminal		
E40	4	Ground	5 V

Is the inspection result normal?

- YES >> GO TO 4.
NO >> GO TO 3.

3.CHECK APP SENSOR 1 POWER SUPPLY CIRCUIT

1. Turn ignition switch OFF
2. Disconnect ECM harness connector.
3. Check the voltage between APP sensor harness connector and ECM harness connector.

APP sensor		ECM		Continuity
Connector	Terminal	Connector	Terminal	
E40	4	E10	146	Existed

Is the inspection result normal?

- YES >> INSPECTION END
NO >> Repair or replace error-detected parts.

4.CHECK APP SENSOR 1 GROUND CIRCUIT

1. Turn ignition switch OFF.
2. Disconnect ECM harness connector.
3. Check the continuity between APP sensor harness connector and ECM harness connector.

APP sensor		ECM		Continuity
Connector	Terminal	Connector	Terminal	
E40	2	E10	151	Existed

P2122, P2123 APP SENSOR

[VQ35DE]

< DTC/CIRCUIT DIAGNOSIS >

4. Also check harness for short to ground and short to power.

Is the inspection result normal?

YES >> GO TO 5.

NO >> Repair open circuit, short to ground or short to power in harness or connectors.

5.CHECK APP SENSOR 1 INPUT SIGNAL CIRCUIT

1. Check the continuity between APP sensor harness connector and ECM harness connector.

APP sensor		ECM		Continuity
Connector	Terminal	Connector	Terminal	
E40	3	E10	150	Existed

2. Also check harness for short to ground and short to power.

Is the inspection result normal?

YES >> GO TO 6.

NO >> Repair open circuit, short to ground or short to power in harness or connectors.

6.CHECK APP SENSOR

Check APP sensor. Refer to [EC-513, "Component Inspection"](#).

Is the inspection result normal?

YES >> INSPECTION END

NO >> Replace accelerator pedal assembly. Refer to [ACC-3, "Removal and Installation"](#).

Component Inspection

INFOID:0000000011939987

1.CHECK ACCELERATOR PEDAL POSITION SENSOR

1. Reconnect all harness connectors disconnected.

2. Turn ignition switch ON.

3. Check the voltage between ECM harness connector terminals under the following conditions.

Connector	ECM		Condition	Voltage (V)
	+	-		
Terminal				
E10	150	151	Fully released	0.5 - 1.0
			Fully depressed	4.2 - 4.8
	143	144	Fully released	0.25 - 0.50
			Fully depressed	2.0 - 2.5

Is the inspection result normal?

YES >> INSPECTION END

NO >> Replace accelerator pedal assembly. Refer to [ACC-3, "Removal and Installation"](#).

P2127, P2128 APP SENSOR

< DTC/CIRCUIT DIAGNOSIS >

[VQ35DE]

P2127, P2128 APP SENSOR

DTC Description

INFOID:000000011939988

DTC DETECTION LOGIC

- An excessively low voltage from the APP sensor 2 is sent to ECM.
- An excessively high voltage from the APP sensor 2 is sent to ECM.

DTC	CONSULT screen terms (Trouble diagnosis content)	DTC detection condition	
		Diagnosis condition	Start engine and let it idle
P2127	APP SEN 2/CIRC (Throttle/Pedal position sensor/switch "E" circuit low)	Signal (terminal)	Voltage signal transmitted from APP sensor 2 to ECM
		Threshold	An excessively low voltage is sent to ECM
		Diagnosis delay time	—
		Diagnosis condition	Start engine and let it idle
P2128	APP SEN 2/CIRC (Throttle/Pedal position sensor/switch "E" circuit high)	Signal (terminal)	Voltage signal transmitted from APP sensor 2 to ECM
		Threshold	An excessively high voltage is sent to ECM
		Diagnosis delay time	—
		Diagnosis condition	Start engine and let it idle

POSSIBLE CAUSE

DTC P2127

- Harness or connectors
(APP sensor 2 circuit is open or shorted.)
[CMP sensor (PHASE) circuit is open or shorted.]
(Battery current sensor circuit is shorted.)
(EOP sensor circuit is shorted.)
(Refrigerant pressure sensor is shorted.)
- Accelerator pedal position sensor
(APP sensor 2)
- Camshaft position sensor (PHASE)
- Battery current sensor
- Engine oil pressure sensor
- Refrigerant pressure sensor

DTC P2128

- Harness or connectors
(APP sensor 2 circuit is open or shorted.)
[CMP sensor (PHASE) circuit is open or shorted.]
(Battery current sensor circuit is shorted.)
(EOP sensor circuit is shorted.)
(Refrigerant pressure sensor is shorted.)
- Accelerator pedal position sensor
(APP sensor 2)
- Camshaft position sensor (PHASE)
- Battery current sensor
- Engine oil pressure sensor
- Refrigerant pressure sensor

FAIL-SAFE

P2127, P2128 APP SENSOR

< DTC/CIRCUIT DIAGNOSIS >

[VQ35DE]

Engine operating condition in fail-safe mode	
Fail safe mode	Vehicle behavior
Electric throttle control actuator	(When electric throttle control actuator does not function properly due to the return spring malfunction:) ECM controls the electric throttle actuator by regulating the throttle opening around the idle position. The engine speed will not rise more than 2,000 rpm.
	(When throttle valve opening angle in fail-safe mode is not in specified range:) ECM controls the electric throttle control actuator by regulating the throttle opening to 20 degrees or less.
	(When ECM detects the throttle valve is stuck open:) While the vehicle is being driven, it slows down gradually because of fuel cut. After the vehicle stops, the engine stalls. The engine can restart in the N or P position, and engine speed will not exceed 1,000 rpm or more.

DTC CONFIRMATION PROCEDURE

1. PRECONDITIONING

If DTC Confirmation Procedure has been previously conducted, always perform the following before conducting the next test.

1. Turn ignition switch OFF and wait at least 10 seconds.
2. Turn ignition switch ON.
3. Turn ignition switch OFF and wait at least 10 seconds.

TESTING CONDITION:

Before performing the following procedure, confirm that battery voltage is more than 8 V at idle.

>> GO TO 2.

2. PERFORM DTC CONFIRMATION PROCEDURE

1. Start engine and let it idle for 1 second.
2. Check DTC.

Is DTC detected?

- YES >> Proceed to [EC-515, "Diagnosis Procedure"](#).
- NO-1 >> To check malfunction symptom before repair: Refer to [GI-41, "Intermittent Incident"](#).
- NO-2 >> Confirmation after repair: INSPECTION END

Diagnosis Procedure

INFOID:000000011939989

1. CHECK APP SENSOR 2 POWER SUPPLY

1. Disconnect accelerator pedal position (APP) sensor harness connector.
2. Turn ignition switch ON.
3. Check the voltage between APP sensor harness connector and ground.

+		-	Voltage (V)
APP sensor			
Connector	Terminal		
E40	5	Ground	Approx. 5

Is the inspection result normal?

- YES >> GO TO 3.
- NO >> GO TO 2.

2. CHECK APP SENSOR 2 POWER SUPPLY CIRCUIT

1. Turn ignition switch OFF.
2. Disconnect ECM harness connector.
3. Check the continuity between APP sensor harness connector and ECM harness connector.

P2127, P2128 APP SENSOR

< DTC/CIRCUIT DIAGNOSIS >

[VQ35DE]

APP sensor		ECM		Continuity
Connector	Terminal	Connector	Terminal	
E40	5	E10	142	Existed

Is the inspection result normal?

YES >> Check sensor power supply 2 circuit. Refer to [EC-569, "Diagnosis Procedure"](#).

NO >> Repair or replace error-detected parts.

3.CHECK APP SENSOR 2 GROUND CIRCUIT

1. Turn ignition switch OFF.
2. Disconnect ECM harness connector.
3. Check the continuity between APP sensor harness connector and ECM harness connector.

APP sensor		ECM		Continuity
Connector	Terminal	Connector	Terminal	
E40	1	E10	144	Existed

4. Also check harness for short to ground and short to power.

Is the inspection result normal?

YES >> GO TO 4.

NO >> Repair open circuit, short to ground or short to power in harness or connectors.

4.CHECK APP SENSOR 2 INPUT SIGNAL CIRCUIT

1. Check the continuity between APP sensor harness connector and ECM harness connector.

APP sensor		ECM		Continuity
Connector	Terminal	Connector	Terminal	
E40	6	E10	143	Existed

2. Also check harness for short to ground and short to power.

Is the inspection result normal?

YES >> GO TO 5.

NO >> Repair open circuit, short to ground or short to power in harness or connectors.

5.CHECK APP SENSOR

Check APP sensor. Refer to [EC-516, "Component Inspection"](#).

Is the inspection result normal?

YES >> INSPECTION END

NO >> Replace accelerator pedal assembly. Refer to [ACC-3, "Removal and Installation"](#).

Component Inspection

INFOID:000000011939990

1.CHECK ACCELERATOR PEDAL POSITION SENSOR

1. Reconnect all harness connectors disconnected.
2. Turn ignition switch ON.
3. Check the voltage between ECM harness connector terminals under the following conditions.

Connector	ECM		Condition	Voltage (V)
	+	-		
Terminal				
E10	150	151	Fully released	0.5 - 1.0
			Fully depressed	4.2 - 4.8
	143	144	Fully released	0.25 - 0.50
			Fully depressed	2.0 - 2.5

P2127, P2128 APP SENSOR

[VQ35DE]

< DTC/CIRCUIT DIAGNOSIS >

Is the inspection result normal?

YES >> INSPECTION END

NO >> Replace accelerator pedal assembly. Refer to [ACC-3. "Removal and Installation"](#).

A

EC

C

D

E

F

G

H

I

J

K

L

M

N

O

P

P2135 TP SENSOR

< DTC/CIRCUIT DIAGNOSIS >

[VQ35DE]

P2135 TP SENSOR

DTC Description

INFOID:000000011939991

DTC DETECTION LOGIC

Rationally incorrect voltage is sent to ECM compared with the signals from TP sensor 1 and TP sensor 2.

DTC	CONSULT screen terms (Trouble diagnosis content)	DTC detection condition	
P2135	TP SENSOR-B1 (Throttle/Pedal position sensor/switch "A" / "B" voltage correlation)	Diagnosis condition	Start engine and let it idle
		Signal (terminal)	TP sensor 1 signal and TP sensor 2 signal
		Threshold	Rationally incorrect voltage is sent to ECM compared with the signals from TP sensor 1 and TP sensor 2
		Diagnosis delay time	—

POSSIBLE CAUSE

- Harness or connector
(TP sensor 1 or 2 circuit is open or shorted.)
- Electric throttle control actuator
(TP sensor 1 or 2)

FAIL-SAFE

Engine operating condition in fail-safe mode	
Fail safe mode	Vehicle behavior
Throttle position sensor	The ECM controls the electric throttle control actuator in regulating the throttle opening in order for the idle position to be within +10 degrees. The ECM regulates the opening speed of the throttle valve to be slower than the normal condition. Therefore, the acceleration will be poor.

DTC CONFIRMATION PROCEDURE

1. CHECK DTC PRIORITY

If DTC P2135 is displayed with DTC P0643, first perform the trouble diagnosis for DTC P0643.

Is applicable DTC detected?

YES >> Perform diagnosis of applicable. Refer to [EC-424. "DTC Description"](#).

NO >> GO TO 2.

2. PRECONDITIONING

If DTC Confirmation Procedure has been previously conducted, always perform the following before conducting the next test.

1. Turn ignition switch OFF and wait at least 10 seconds.
2. Turn ignition switch ON.
3. Turn ignition switch OFF and wait at least 10 seconds.

TESTING CONDITION:

Before performing the following procedure, confirm that battery voltage is more than 8 V at idle.

>> GO TO 3.

3. PERFORM DTC CONFIRMATION PROCEDURE

1. Start engine and let it idle for 1 second.
2. Check DTC.

Is DTC detected?

YES >> Proceed to [EC-519. "Diagnosis Procedure"](#).

NO-1 >> To check malfunction symptom before repair: Refer to [GI-41. "Intermittent Incident"](#).

NO-2 >> Confirmation after repair: INSPECTION END

P2135 TP SENSOR

[VQ35DE]

< DTC/CIRCUIT DIAGNOSIS >

Diagnosis Procedure

INFOID:000000011939992

1. CHECK DTC PRIORITY

If DTC P2135 is displayed with DTC P0643, first perform the trouble diagnosis for DTC P0643.

Is applicable DTC detected?

- YES >> Perform diagnosis of applicable. Refer to [EC-424. "DTC Description"](#).
- NO >> GO TO 2.

2. CHECK THROTTLE POSITION SENSOR POWER SUPPLY

1. Disconnect electric throttle control actuator harness connector.
2. Turn ignition switch ON.
3. Check the voltage between electric throttle control actuator harness connector and ground.

+		-	Voltage (Approx.)
Connector	Terminal		
F57	5	Ground	5 V

Is the inspection result normal?

- YES >> GO TO 4.
- NO >> GO TO 3.

3. CHECK THROTTLE POSITION SENSOR POWER SUPPLY CIRCUIT

1. Turn ignition switch OFF.
2. Disconnect ECM harness connector.
3. Check the continuity between electric throttle control actuator harness connector and ECM harness connector.

Electric throttle control actuator		ECM		Continuity
Connector	Terminal	Connector	Terminal	
F57	5	F14	98	Existed

Is the inspection result normal?

- YES >> INSPECTION END
- NO >> Repair or replace error-detected parts.

4. CHECK THROTTLE POSITION SENSOR GROUND CIRCUIT

1. Turn ignition switch OFF.
2. Disconnect ECM harness connector.
3. Check the continuity between electric throttle control actuator harness connector and ECM harness connector.

Electric throttle control actuator		ECM		Continuity
Connector	Terminal	Connector	Terminal	
F57	4	F14	75	Existed

4. Also check harness for short to ground and short to power.

Is the inspection result normal?

- YES >> GO TO 5.
- NO >> Repair open circuit, short to ground or short to power in harness or connectors.

5. CHECK THROTTLE POSITION SENSOR INPUT SIGNAL CIRCUIT

1. Check the continuity between electric throttle control actuator harness connector and ECM harness connector.

P2135 TP SENSOR

< DTC/CIRCUIT DIAGNOSIS >

[VQ35DE]

Electric throttle control actuator		ECM		Continuity
Connector	Terminal	Connector	Terminal	
F57	3	F14	72	Existed
	6		71	

2. Also check harness for short to ground and short to power.

Is the inspection result normal?

YES >> GO TO 6.

NO >> Repair open circuit, short to ground or short to power in harness or connectors.

6.CHECK THROTTLE POSITION SENSOR

Check throttle position sensor. Refer to [EC-520, "Component Inspection"](#).

Is the inspection result normal?

YES >> INSPECTION END

NO >> Replace electric throttle control actuator. Refer to [ACC-3, "Removal and Installation"](#).

Component Inspection

INFOID:0000000011939993

1.CHECK THROTTLE POSITION SENSOR

1. Turn ignition switch OFF.
2. Reconnect all harness connectors disconnected.
3. Perform Throttle Valve Closed Position Learning. Refer to [EC-159, "Description"](#).
4. Turn ignition switch ON.
5. Shift selector lever position to D.
6. Check the voltage between ECM harness connector terminals under the following conditions.

Connector	ECM		Condition	Voltage
	+	-		
Terminal				
F14	71	75	Fully released	More than 0.36 V
			Fully depressed	Less than 4.75 V
	72		Fully released	Less than 4.75 V
			Fully depressed	More than 0.36 V

Is the inspection result normal?

YES >> INSPECTION END

NO >> Replace electric throttle control actuator. Refer to [ACC-3, "Removal and Installation"](#).

P2138 APP SENSOR

< DTC/CIRCUIT DIAGNOSIS >

[VQ35DE]

P2138 APP SENSOR

DTC Description

INFOID:0000000011939994

DTC DETECTION LOGIC

Rationally incorrect voltage is sent to ECM compared with the signals from APP sensor 1 and APP sensor 2.

DTC	CONSULT screen terms (Trouble diagnosis content)	DTC detection condition	
		Diagnosis condition	Start engine and let it idle
P2138	APP SENSOR (Throttle/Pedal position sensor/switch "D" / "E" voltage correlation)	Signal (terminal)	APP sensor 1 signal and APP sensor 2 signal
		Threshold	Rationally incorrect voltage is sent to ECM compared with the signals from APP sensor 1 and APP sensor 2
		Diagnosis delay time	—

POSSIBLE CAUSE

- Harness or connector
(APP sensor 1 or 2 circuit is open or shorted.)
[CMP sensor (PHASE) circuit is open or shorted.]
(Battery current sensor circuit is shorted.)
(EOP sensor circuit is shorted.)
(Refrigerant pressure sensor is shorted.)
- Accelerator pedal position sensor
(APP sensor 1 or 2)
- Camshaft position sensor (PHASE)
- Battery current sensor
- Engine oil pressure sensor
- Refrigerant pressure sensor

FAIL-SAFE

Engine operating condition in fail-safe mode	
Fail safe mode	Vehicle behavior
Accelerator pedal position sensor	The ECM controls the electric throttle control actuator in regulating the throttle opening in order for the idle position to be within +10 degrees. The ECM regulates the opening speed of the throttle valve to be slower than the normal condition. Therefore, the acceleration will be poor.

DTC CONFIRMATION PROCEDURE

1. CHECK DTC PRIORITY

If DTC P2135 is displayed with DTC P0643, first perform the trouble diagnosis for DTC P0643.

Is applicable DTC detected?

- YES >> Perform diagnosis of applicable. Refer to [EC-424, "DTC Description"](#).
NO >> GO TO 2.

2. PRECONDITIONING

If DTC Confirmation Procedure has been previously conducted, always perform the following before conducting the next test.

1. Turn ignition switch OFF and wait at least 10 seconds.
2. Turn ignition switch ON.
3. Turn ignition switch OFF and wait at least 10 seconds.

TESTING CONDITION:

Before performing the following procedure, confirm that battery voltage is more than 8 V at idle.

>> GO TO 3.

P2138 APP SENSOR

[VQ35DE]

< DTC/CIRCUIT DIAGNOSIS >

3. PERFORM DTC CONFIRMATION PROCEDURE

1. Start engine and let it idle for 1 second.
2. Check DTC.

Is DTC detected?

- YES >> Proceed to [EC-522, "Diagnosis Procedure"](#).
NO-1 >> To check malfunction symptom before repair: Refer to [GI-41, "Intermittent Incident"](#).
NO-2 >> Confirmation after repair: INSPECTION END

Diagnosis Procedure

INFOID:000000011939995

1. CHECK DTC PRIORITY

If DTC P2135 is displayed with DTC P0643, first perform the trouble diagnosis for DTC P0643.

Is applicable DTC detected?

- YES >> Perform diagnosis of applicable. Refer to [EC-424, "DTC Description"](#).
NO >> GO TO 2.

2. CHECK APP SENSOR 1 POWER SUPPLY

1. Disconnect accelerator pedal position (APP) sensor harness connector.
2. Turn ignition switch ON.
3. Check the voltage between APP sensor harness connector and ground.

+		-	Voltage (Approx.)
APP sensor			
Connector	Terminal		
E40	4	Ground	5 V

Is the inspection result normal?

- YES >> GO TO 4.
NO >> GO TO 3.

3. CHECK APP SENSOR 1 POWER SUPPLY CIRCUIT

1. Turn ignition switch OFF.
2. Disconnect ECM harness connector.
3. Check the continuity between APP sensor harness connector and ECM harness connector.

APP sensor		ECM		Continuity
Connector	Terminal	Connector	Terminal	
E40	4	E10	146	Existed

Is the inspection result normal?

- YES >> INSPECTION END
NO >> Repair or replace error-detected parts.

4. CHECK APP SENSOR 2 POWER SUPPLY

1. Turn ignition switch ON.
2. Check the voltage between APP sensor harness connector and ground.

+		-	Voltage (Approx.)
APP sensor			
Connector	Terminal		
E40	5	Ground	5 V

Is the inspection result normal?

- YES >> GO TO 6.
NO >> GO TO 5.

P2138 APP SENSOR

< DTC/CIRCUIT DIAGNOSIS >

[VQ35DE]

5. CHECK APP SENSOR 2 POWER SUPPLY CIRCUIT

1. Turn ignition switch OFF.
2. Disconnect ECM harness connector.
3. Check the continuity between APP sensor harness connector and ECM harness connector.

APP sensor		ECM		Continuity
Connector	Terminal	Connector	Terminal	
E40	5	E10	142	Existed

Is the inspection result normal?

YES >> Check sensor power supply 2 circuit. Refer to [EC-569, "Diagnosis Procedure"](#).

NO >> Repair or replace error-detected parts.

6. CHECK APP SENSOR GROUND CIRCUIT

1. Turn ignition switch OFF.
2. Disconnect ECM harness connector.
3. Check the continuity between APP sensor harness connector and ECM harness connector.

APP sensor		ECM		Continuity
Connector	Terminal	Connector	Terminal	
E40	1	E10	144	Existed
	2		151	

4. Also check harness for short to ground and short to power.

Is the inspection result normal?

YES >> GO TO 7.

NO >> Repair open circuit, short to ground or short to power in harness or connectors.

7. CHECK APP SENSOR INPUT SIGNAL CIRCUIT

1. Check the continuity between APP sensor harness connector and ECM harness connector.

APP sensor		ECM		Continuity
Connector	Terminal	Connector	Terminal	
E40	3	E10	150	Existed
	6		143	

2. Also check harness for short to ground and short to power.

Is the inspection result normal?

YES >> GO TO 8.

NO >> Repair open circuit, short to ground or short to power in harness or connectors.

8. CHECK APP SENSOR

Check APP sensor. Refer to [EC-523, "Component Inspection"](#).

Is the inspection result normal?

YES >> INSPECTION END

NO >> Replace accelerator pedal assembly. Refer to [ACC-3, "Removal and Installation"](#).

Component Inspection

INFOID:0000000011939996

1. CHECK ACCELERATOR PEDAL POSITION SENSOR

1. Reconnect all harness connectors disconnected.
2. Turn ignition switch ON.
3. Check the voltage between ECM harness connector terminals under the following conditions.

P2138 APP SENSOR

< DTC/CIRCUIT DIAGNOSIS >

[VQ35DE]

ECM			Condition	Voltage (V)
Connector	+	-		
	Terminal			
E10	143	144	Accelerator pedal	Fully released 0.25 - 0.50
				Fully depressed 2.0 - 2.5
	150	151		Fully released 0.5 - 1.0
				Fully depressed 4.2 - 4.8

Is the inspection result normal?

YES >> INSPECTION END

NO >> Replace accelerator pedal assembly. Refer to [ACC-3. "Removal and Installation"](#).

P219A, P219B AIR FUEL RATIO

< DTC/CIRCUIT DIAGNOSIS >

[VQ35DE]

P219A, P219B AIR FUEL RATIO

DTC Description

INFOID:00000001193997

DTC DETECTION LOGIC

DTC	CONSULT screen terms (Trouble diagnosis content)	DTC detection condition	
		Diagnosis condition	—
P219A	AIR FUEL RATIO IMBALANCE B1 (Air-fuel ratio imbalance bank 1)	Diagnosis condition	—
		Signal (terminal)	—
		Threshold	ECM detects a lean/rich air fuel ratio state in any cylinder for a specified length of time
		Diagnosis delay time	—
P219B	AIR FUEL RATIO IMBALANCE B2 (Air-fuel ratio imbalance bank 2)	Diagnosis condition	—
		Signal (terminal)	—
		Threshold	ECM detects a lean/rich air fuel ratio state in any cylinder for a specified length of time
		Diagnosis delay time	—

POSSIBLE CAUSE

DTC P219A

- Fuel injector
- Exhaust gas leaks
- Incorrect fuel pressure
- Mass air flow sensor
- Intake air leaks
- Lack of fuel
- Incorrect PCV hose connection
- Improper spark plug
- Insufficient compression
- The fuel injector circuit is open or shorted
- Ignition coil
- The ignition signal circuit is open or shorted

DTC P219B

- Fuel injector
- Exhaust gas leaks
- Incorrect fuel pressure
- Mass air flow sensor
- Intake air leaks
- Lack of fuel
- Incorrect PCV hose connection
- Improper spark plug
- Insufficient compression
- The fuel injector circuit is open or shorted
- Ignition coil
- The ignition signal circuit is open or shorted

FAIL-SAFE

Not applicable

DTC CONFIRMATION PROCEDURE

1. CHECK DTC PRIORITY

If DTC P219A or P219B is displayed with other DTC, first perform the trouble diagnosis for the other DTC.

Is applicable DTC detected?

- YES >> Perform diagnosis of applicable. Refer to [EC-107. "DTC Index"](#).
 NO >> GO TO 2.

P219A, P219B AIR FUEL RATIO

< DTC/CIRCUIT DIAGNOSIS >

[VQ35DE]

2. PRECONDITIONING-1

If DTC Confirmation Procedure has been previously conducted, always perform the following before conducting the next test.

1. Turn ignition switch OFF and wait at least 10 seconds.
2. Turn ignition switch ON.
3. Turn ignition switch OFF and wait at least 10 seconds.

NOTE:

Before performing the following procedure, confirm that battery voltage is 11 V or more at idle.

>> GO TO 3.

3. PRECONDITIONING-2

1. Turn ignition switch ON.
2. Clear the mixture ratio self-learning value. Refer to [EC-162, "Description"](#).

Will CONSULT be used?

- YES >> GO TO 4.
NO >> GO TO 7.

4. PERFORM DTC CONFIRMATION PROCEDURE-1

1. Turn ignition switch ON.
2. Select "COOLAN TEMP/S" in "DATA MONITOR" mode of "ENGINE" using CONSULT.
3. Start engine.
4. Make sure that "COOLAN TEMP/S" indicates more than 65°C (149°F).

>> GO TO 5.

5. PERFORM DTC CONFIRMATION PROCEDURE-2

With CONSULT

1. Select "SYSTEM 1 DIAGNOSIS B B1" and "SYSTEM 1 DIAGNOSIS A B1" in "DATA MONITOR" mode of "ENGINE" using CONSULT.
2. Drive vehicle under the following conditions for at least 5 consecutive seconds.

CAUTION:

- Always drive vehicle at a safe speed.

ENG SPEED	1,000 – 1,800 rpm
COOLAN TEMP/S	More than 65°C (149°F)
B/FUEL SCHDL	5 – 12 msec
Selector lever	D position
SYSTEM 1 DIAGNOSIS B B1	PRSENT

NOTE:

- Drive the vehicle at approximately 88 km/h (55MPH) allows easy diagnosis.
- Keep the accelerator pedal as possible during crusing.

3. Check "SYSTEM 1 DIAGNOSIS A B1" indication.

Is "CMPLT" displayed?

- YES >> GO TO 6.
NO >> GO TO 3.

6. PERFORM DTC CONFIRMATION PROCEDURE-3

Check 1st trip DTC.

Is 1st trip DTC detected?

- YES >> Proceed to [EC-527, "Diagnosis Procedure"](#).
NO-1 >> To check malfunction symptom before repair: Refer to [GI-41, "Intermittent Incident"](#).
NO-2 >> Confirmation after repair: INSPECTION END

P219A, P219B AIR FUEL RATIO

< DTC/CIRCUIT DIAGNOSIS >

[VQ35DE]

7. PERFORM DTC CONFIRMATION PROCEDURE-4

⊗ Without CONSULT

1. Start the engine and warm it up to normal operating temperature.
2. Drive vehicle under the following conditions for at least 5 consecutive seconds.

CAUTION:

- Always drive vehicle at a safe speed.

Engine speed	1,000 – 1,800 rpm
Calculated load value	27 – 80 %
Selector lever	D position

NOTE:

- Drive the vehicle at approximately 88 km/h (55MPH) allows easy diagnosis.
- Keep the accelerator pedal as possible during crusing.

3. Check 1st trip DTC.

Is 1st trip DTC detected?

- YES >> Proceed to [EC-527, "Diagnosis Procedure"](#).
NO-1 >> To check malfunction symptom before repair: Refer to [GI-41, "Intermittent Incident"](#).
NO-2 >> Confirmation after repair: INSPECTION END

Diagnosis Procedure

INFOID:0000000011939998

1. CHECK DTC PRIORITY

If DTC P219A or P219B is displayed with other DTC, first perform the trouble diagnosis for the other DTC.

Is applicable DTC detected?

- YES >> Perform diagnosis of applicable. Refer to [EC-107, "DTC Index"](#).
NO >> GO TO 2.

2. CHECK FOR INTAKE AIR LEAK

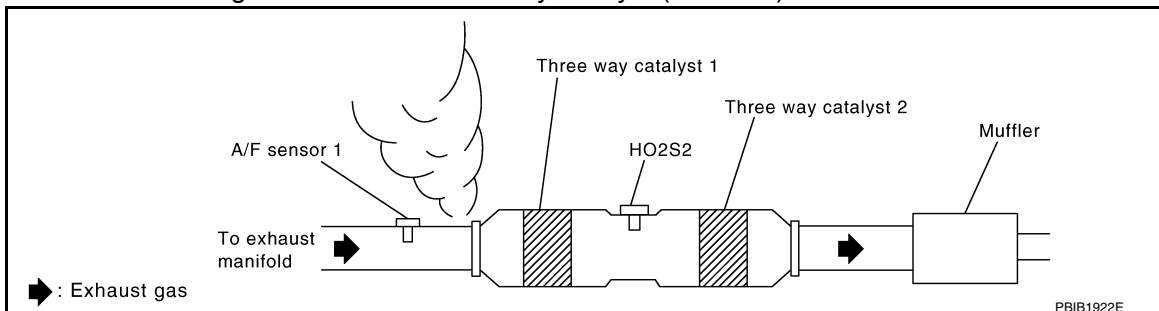
1. Stop engine and check the following for connection.
 - Air duct
 - Vacuum hoses
 - PCV hose
 - Intake air passage between air duct to intake manifold
2. Start engine and let it idle.
3. Listen for an intake air leak after the mass air flow sensor.

Is the inspection result normal?

- YES >> GO TO 3.
NO >> Repair or replace error-detected parts.

3. CHECK EXHAUST GAS LEAK

1. Stop engine and visually check exhaust tube, three way catalyst and muffler for dents connection.
2. Start engine and let it idle.
3. Listen for an exhaust gas leak before three way catalyst (manifold).



Is the inspection result normal?

- YES >> GO TO 4.
NO >> Repair or replace error-detected parts.

P219A, P219B AIR FUEL RATIO

< DTC/CIRCUIT DIAGNOSIS >

[VQ35DE]

4. CHECK FUEL PRESSURE

1. Release fuel pressure to zero. Refer to [EC-168, "Work Procedure"](#).
2. Check fuel pressure. Refer to [EC-168, "Work Procedure"](#).

Is the inspection result normal?

- YES >> GO TO 5.
NO >> GO TO 10.

5. CHECK MASS AIR FLOW SENSOR

 With CONSULT

Check "MASS AIR FLOW" in "DATA MONITOR" mode of "ENGINE" using CONSULT.
For specification, refer to [EC-587, "Mass Air Flow Sensor"](#).


 With GST

Check mass air flow sensor signal in Service \$01 using GST.
For specification, refer to [EC-587, "Mass Air Flow Sensor"](#).

Is the inspection result normal?

- YES >> GO TO 6.
NO >> Check connectors for rusted terminals or loose connections in the mass air flow sensor circuit or grounds. Refer to [EC-222, "Diagnosis Procedure"](#).

6. CHECK FUNCTION OF FUEL INJECTOR-1

 With CONSULT

1. Start engine.
2. Perform "POWER BALANCE" in "ACTIVE TEST" mode of "ENGINE" using CONSULT.
3. Check that each circuit produces a momentary engine speed drop.

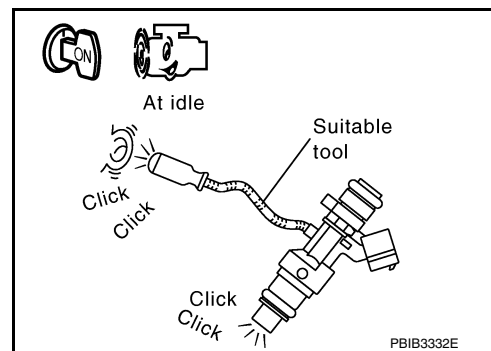
 Without CONSULT

1. Let engine idle.
2. Listen to each fuel injector operating sound.

Clicking noise should be heard.

Is the inspection result normal?

- YES >> GO TO 7.
NO >> Perform trouble diagnosis for fuel injector, refer to [EC-551, "Component Inspection"](#).



7. CHECK FUNCTION OF FUEL INJECTOR-2

CAUTION:

Perform the following procedure in a place with no combustible objects and good ventilation.

1. Turn ignition switch OFF.
2. Confirm that the engine is cooled down and there are no fire hazards near the vehicle.
3. Disconnect all fuel injector harness connectors.
4. Remove fuel tube assembly. Refer to [EM-46, "Removal and Installation"](#).
Keep fuel hose and all fuel injectors connected to fuel tube.
5. Disconnect all ignition coil harness connectors.
6. Prepare pans or saucers under each fuel injector.

P219A, P219B AIR FUEL RATIO

< DTC/CIRCUIT DIAGNOSIS >

[VQ35DE]

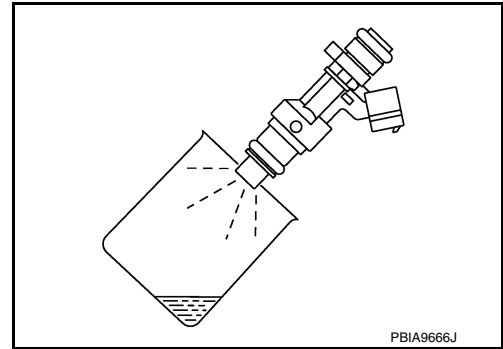
7. Crank engine for approximately 3 seconds.

- Fuel should be sprayed evenly for each fuel injector.
- Fuel must not drip from the tip of fuel injector.

Is the inspection result normal?

YES >> GO TO 8.

NO >> Replace fuel injector. Refer to [EM-46, "Removal and Installation"](#).



8. CHECK FUNCTION OF IGNITION COIL-1

CAUTION:

Perform the following steps in a well-ventilated area with no combustibles.

1. Turn ignition switch OFF.

2. Remove fuel pump fuse from IPDM E/R to release fuel pressure.

NOTE:

CONSULT must not be used to release fuel pressure. It develops again during the following steps, if released by using CONSULT.

3. Start the engine.

4. After an engine stall, crank the engine two or three times to release all the fuel pressure.

5. Turn ignition switch OFF.

6. Disconnect all the harness connectors of ignition coil to prevent electric discharge from occurring in ignition coil.

7. Remove ignition coil assembly and spark plug of cylinder. Refer to [EM-45, "Removal and Installation \(LH\)"](#), [EM-45, "Removal and Installation \(RH\)"](#).

8. Crank engine for 5 seconds or more to remove combustion gas in the cylinder.

9. Connect spark plug and harness connector to ignition coil.

10. Allow a 13-17mm (0.52-0.66 in) spacing between spark plug and grounded metal portion as shown in the figure to fix the ignition coil with a rope or an equivalent.

11. Crank the engine for approximately 3 seconds to see if sparking occurs between spark plug and the grounded metal portion.

Spark should be generated.

CAUTION:

• The discharge voltage becomes 20 kV or higher. Therefore, always stay away from the spark plug and ignition coil at least 50 cm (19.7 in) during the inspection.

• Leaving a space of more than 17mm (0.66 in) may damage the ignition coil.

NOTE:

When the gap is less than 13 mm (0.52 in), a the spark might be generated even if the coil is malfunctioning.

Is the inspection result normal?

YES >> GO TO 9.

NO >> GO TO 11.

9. CHECK COMPRESSION PRESSURE

Check compression pressure. Refer to [EC-168, "Work Procedure"](#).

Is the inspection result normal?

YES >> INSPECTION END

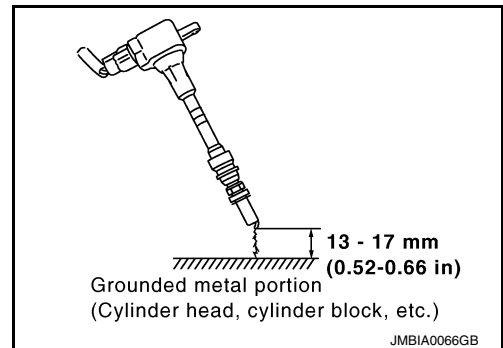
NO >> Check pistons, piston rings, valves, valve seats and cylinder head gaskets.

10. DETECT MALFUNCTIONING PART

Check fuel hoses and fuel tubes for clogging.

Is the inspection result normal?

YES >> Replace fuel filter and fuel pump assembly. Refer to [FL-5, "Removal and Installation"](#).



P219A, P219B AIR FUEL RATIO

[VQ35DE]

< DTC/CIRCUIT DIAGNOSIS >

NO >> Repair or replace error-detected parts.

11. CHECK FUNCTION OF IGNITION COIL-2

1. Turn ignition switch OFF.
2. Disconnect spark plug and connect a non-malfunctioning spark plug.
3. Crank engine for approximately 3 seconds, and recheck whether spark is generated between the spark plug and the grounded metal portion.

Spark should be generated.

Is the inspection result normal?

YES >> GO TO 12.

NO >> Check ignition coil, power transistor and their circuits. Refer to [EC-555. "Component Function Check"](#).

12. CHECK SPARK PLUG

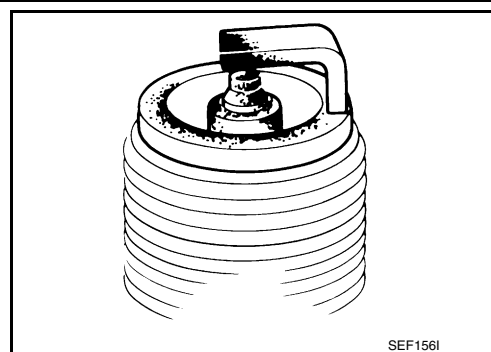
Check the initial spark plug for fouling, etc.

Is the inspection result normal?

YES >> 1. Repair or clean spark plug. Refer to [EM-14. "Removal and Installation"](#).

2. GO TO 13.

NO >> Replace spark plug(s) with standard type one(s). For spark plug type, refer to [EM-140. "Spark Plug"](#).



13. CHECK FUNCTION OF IGNITION COIL-3

1. Reconnect the initial spark plugs.
2. Crank engine for approximately 3 seconds, and recheck whether spark is generated between the spark plug and the grounded portion.

Spark should be generated.

Is the inspection result normal?

YES >> INSPECTION END

NO >> Replace spark plug(s) with standard type one(s). For spark plug type, refer to [EM-140. "Spark Plug"](#).

P2610 ECM INTERNAL TIMER

< DTC/CIRCUIT DIAGNOSIS >

[VQ35DE]

P2610 ECM INTERNAL TIMER

Description

INFOID:0000000011939999

This ECM contains a timer and measures time between an ignition switch OFF and the next ignition switch ON. This enables the judging of the state of engine cooling at an engine start.

DTC Description

INFOID:0000000011940000

DTC DETECTION LOGIC

DTC	CONSULT screen terms (Trouble diagnosis content)	DTC detection condition		
P2610	ECM/PCM INTERNAL ENG OFF TIMER (ECM/PCM internal engine off timer performance)	1	Diagnosis condition	—
			Signal (terminal)	—
			Threshold	ECM internal engine off timer is malfunctioning
			Diagnosis delay time	—
		2	Diagnosis condition	—
			Signal (terminal)	—
			Threshold	The time calculated by ECM based on a descent allowance of engine coolant temperatures during ignition switch OFF is extremely shorter than the time counted by the Engine internal OFF timer
			Diagnosis delay time	—

POSSIBLE CAUSE

- ECM
- ECM power supply

FAIL-SAFE

Not applicable

DTC CONFIRMATION PROCEDURE

1.INSPECTION START

It is necessary to erase permanent DTC?

YES >> GO TO 4.

NO >> GO TO 2.

2.PRECONDITIONING

1. Turn ignition switch OFF and wait at least 10 seconds.
2. Turn ignition switch ON.
3. Turn ignition switch OFF and wait at least 10 seconds.

TESTING CONDITION:

Before performing the following procedure, confirm that battery voltage is 12 V or more under ignition switch OFF condition.

>> GO TO 3.

3.PERFORM DTC CONFIRMATION PROCEDURE-I

1. Turn ignition switch ON and wait at least 190 seconds.
2. Check 1st trip DTC.

Is 1st trip DTC detected?

YES >> Proceed to [EC-532. "Diagnosis Procedure"](#).

NO-1 >> To check malfunction symptom before repair: Refer to [GI-41. "Intermittent Incident"](#).

P2610 ECM INTERNAL TIMER

[VQ35DE]

< DTC/CIRCUIT DIAGNOSIS >

NO-2 >> Confirmation after repair: INSPECTION END

4. PRECONDITIONING

1. Turn ignition switch OFF and wait at least 10 seconds.
2. Turn ignition switch ON.
3. Turn ignition switch OFF and wait at least 10 seconds.

TESTING CONDITION:

- Before performing the following procedure, confirm that battery voltage is 12 V or more under ignition switch OFF condition.
- Before performing the following procedure, check that fuel level is between 2/8 and 7/8.

>> GO TO 5.

5. PERFORM DTC CONFIRMATION PROCEDURE-I

1. Turn ignition switch ON and wait at least 190 seconds.
2. Check 1st trip DTC.

Is 1st trip DTC detected?

YES >> Proceed to [EC-532, "Diagnosis Procedure"](#).

NO >> GO TO 6.

6. PERFORM DTC CONFIRMATION PROCEDURE-II

CAUTION:

To start this self-diagnosis, the conditions listed below are required to be satisfied. Perform the following steps to satisfy the conditions.

- Engine coolant temperature decrease by 55°C (131°F) or more during the time between an ignition switch OFF (after engine warm-up) and the second ignition switch ON.
- A fuel temperature at the second ignition switch ON is -5°C (23°F) or more and less than 35°C (95°F).
- The temperature difference between engine coolant and fuel is 5°C (41°F) or more.

NOTE:

This self-diagnosis is not performed if the distance traveled is extremely short.

1. Turn ignition switch ON.
2. Start engine and warm it up to normal operating temperature.
3. Turn ignition switch OFF and soak the vehicle for at least 12 hours.

CAUTION:

- Never turn ON the ignition switch during soaking.
- Never open the fuel filler cap and perform refueling during soaking.

4. Turn ignition switch ON and wait at least 190 seconds.
5. Check 1st trip DTC.

Is 1st trip DTC detected?

YES >> Proceed to [EC-532, "Diagnosis Procedure"](#).

NO-1 >> To check malfunction symptom before repair: Refer to [GI-41, "Intermittent Incident"](#).

NO-2 >> Confirmation after repair: INSPECTION END

Diagnosis Procedure

INFOID:000000011940001

1. CHECK ECM POWER SUPPLY AND GROUND CIRCUIT

Check ECM power supply and ground circuit. Refer to [EC-190, "Diagnosis Procedure"](#).

Is the inspection result normal?

YES >> GO TO 2.

NO >> Repair or replace error-detected parts.

2. CHECK SELF-DIAGNOSTIC RESULT

Check that DTCs related to the fuel system and the cooling system are not detected.

Is the inspection result normal?

YES >> Check the DTC. Refer to [EC-107, "DTC Index"](#).

NO >> GO TO 3.

3. PERFORM DTC CONFIRMATION PROCEDURE

P2610 ECM INTERNAL TIMER

[VQ35DE]

< DTC/CIRCUIT DIAGNOSIS >

1. Erase DTC.
2. Perform DTC Confirmation Procedure again. Refer to [EC-531, "DTC Description"](#).

Is the 1st trip DTC P2610 displayed again?

- YES >> Replace ECM. Refer to [EC-586, "Removal and Installation"](#).
NO >> INSPECTION END

A

EC

C

D

E

F

G

H

I

J

K

L

M

N

O

P

ASCD INDICATOR

< DTC/CIRCUIT DIAGNOSIS >

[VQ35DE]

ASCD INDICATOR

Component Function Check

INFOID:000000011940002

1.CHECK ASCD INDICATOR FUNCTION

Check ASCD indicator under the following conditions.

ASCD INDICATOR	CONDITION		SPECIFICATION
CRUISE	• Ignition switch: ON	• MAIN switch: Pressed at the 1st time →at the 2nd time	ON → OFF

Is the inspection result normal?

YES >> INSPECTION END

NO >> Proceed to [EC-534, "Diagnosis Procedure"](#).

Diagnosis Procedure

INFOID:000000011940003

1.CHECK DTC

Check that DTC UXXXX is not displayed.

Is the inspection result normal?

YES >> GO TO 2.

NO >> Perform trouble diagnosis for DTC UXXXX.

2.CHECK COMBINATION METER FUNCTION

Check combination meter function. Refer to [MWI-20, "CONSULT Function \(METER/M&A\)"](#).

Is the inspection result normal?

YES >> GO TO 3.

NO >> Repair or replace malfunctioning part.

3.CHECK INTERMITTENT INCIDENT

Check intermittent incident. Refer to [GI-41, "Intermittent Incident"](#).

Is the inspection result normal?

YES >> Replace combination meter. Refer to [MWI-68, "Removal and Installation"](#).

NO >> Repair or replace error-detected parts.

BATTERY CURRENT SENSOR

[VQ35DE]

< DTC/CIRCUIT DIAGNOSIS >

BATTERY CURRENT SENSOR

Diagnosis Procedure

INFOID:000000011940004

1. CHECK BATTERY CURRENT SENSOR POWER SUPPLY

1. Disconnect battery current sensor harness connector.
2. Turn ignition switch ON.
3. Check the voltage between battery current sensor harness connector and ground.

+		-	Voltage (V)
Connector	Terminal		
F5	1	Ground	Approx. 5

Is the inspection result normal?

- YES >> GO TO 3.
NO >> GO TO 2.

2. CHECK BATTERY CURRENT SENSOR POWER SUPPLY CIRCUIT

1. Turn ignition switch OFF.
2. Disconnect ECM harness connector.
3. Check the continuity between battery current sensor harness connector and ECM harness connector.

Battery current sensor		ECM		Continuity
Connector	Terminal	Connector	Terminal	
F5	1	F14	87	Existed

Is the inspection result normal?

- YES >> Check sensor power supply 2 circuit. Refer to [EC-569, "Diagnosis Procedure"](#).
NO >> Repair or replace error-detected parts.

3. CHECK BATTERY CURRENT SENSOR GROUND CIRCUIT

1. Turn ignition switch OFF.
2. Disconnect ECM harness connector.
3. Check the continuity between battery current sensor harness connector and ECM harness connector.

Battery current sensor		ECM		Continuity
Connector	Terminal	Connector	Terminal	
F5	3	F14	64	Existed

4. Also check harness for short to ground and short to power.

Is the inspection result normal?

- YES >> GO TO 4.
NO >> Repair open circuit, short to ground or short to power in harness or connectors.

4. CHECK BATTERY CURRENT SENSOR INPUT SIGNAL CIRCUIT

1. Check the continuity between battery current sensor harness connector and ECM harness connector.

Battery current sensor		ECM		Continuity
Connector	Terminal	Connector	Terminal	
F5	4	F14	69	Existed

2. Also check harness for short to ground and short to power.

Is the inspection result normal?

- YES >> GO TO 5.
NO >> Repair open circuit, short to ground or short to power in harness or connectors.

BATTERY CURRENT SENSOR

[VQ35DE]

< DTC/CIRCUIT DIAGNOSIS >

5. CHECK BATTERY CURRENT SENSOR

Check battery current sensor. Refer to [EC-536, "Component Inspection"](#).

Is the inspection result normal?

- YES >> Check intermittent incident. Refer to [GI-41, "Intermittent Incident"](#).
NO >> Replace battery negative cable assembly.

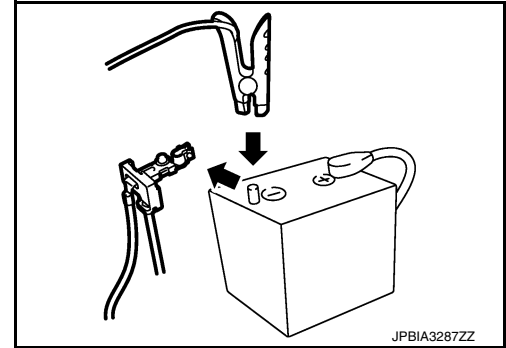
Component Inspection

INFOID:000000011940005

1. CHECK BATTERY CURRENT SENSOR

1. Turn ignition switch OFF.
2. Reconnect harness connectors disconnected.
3. Disconnect battery negative cable.
4. Install jumper cable between battery negative terminal and body ground.
5. Turn ignition switch ON.
6. Check the voltage between ECM harness connector terminals under the following conditions.

Connector	ECM		Voltage (V)
	+	-	
	Terminal	Terminal	
F14	69	64	Approx. 2.5



Before measuring the terminal voltage, confirm that the battery is fully charged. Refer to [PG-92, "How to Handle Battery"](#).

Is the inspection result normal?

- YES >> INSPECTION END
NO >> Replace battery negative cable assembly.

BRAKE PEDAL POSITION SWITCH

< DTC/CIRCUIT DIAGNOSIS >

[VQ35DE]

BRAKE PEDAL POSITION SWITCH

Component Function Check

INFOID:000000011940006

1. CHECK BRAKE PEDAL POSITION SWITCH FUNCTION

With CONSULT

1. Turn ignition switch ON.
2. Select "BRAKE SW1" in "DATA MONITOR" mode with CONSULT.
3. Check "BRAKE SW1" indication under the following conditions.

Monitor item	Condition		Indication
BRAKE SW1	Brake pedal	Slightly depressed	OFF
		Fully released	ON

Without CONSULT

1. Turn ignition switch ON.
2. Check the voltage between ECM harness connector terminals.

ECM			Condition	Voltage
Connector	+	-		
	Terminal			
E10	140	152	Brake pedal Slightly depressed	Approx. 0 V
			Fully released	Battery voltage

Is the inspection result normal?

YES >> INSPECTION END

NO >> Proceed to [EC-537. "Diagnosis Procedure"](#).

Diagnosis Procedure

INFOID:000000011940007

1. CHECK BRAKE PEDAL POSITION SWITCH POWER SUPPLY CIRCUIT

1. Turn ignition switch OFF.
2. Disconnect brake pedal position switch harness connector.
3. Turn ignition switch ON.
4. Check the voltage between brake pedal position switch harness connector and ground.

+		-	Voltage
Brake pedal position switch			
Connector	Terminal		
E37	1	Ground	Battery voltage

Is the inspection result normal?

YES >> GO TO 3.

NO >> GO TO 2.

2. CHECK BRAKE PEDAL POSITION SWITCH POWER SUPPLY CIRCUIT

1. Turn ignition switch OFF.
2. Disconnect fuse block (J/B) harness connector.
3. Check the continuity between brake pedal position switch harness connector and fuse block (J/B) harness connector.

Brake pedal position switch		Fuse block (J/B)		Continuity
Connector	Terminal	Connector	Terminal	
E37	1	E6	1M	Existed

Is the inspection result normal?

BRAKE PEDAL POSITION SWITCH

[VQ35DE]

< DTC/CIRCUIT DIAGNOSIS >

- YES >> Perform the trouble diagnosis for power supply circuit.
NO >> Repair or replace error-detected parts.

3. CHECK BRAKE PEDAL POSITION SWITCH INPUT SIGNAL CIRCUIT FOR OPEN AND SHORT

1. Turn ignition switch OFF.
2. Disconnect ECM harness connector.
3. Check the continuity between brake pedal position switch harness connector and ECM harness connector.

Brake pedal position switch		ECM		Continuity
Connector	Terminal	Connector	Terminal	
E37	2	E10	140	Existed

4. Also check harness for short to ground and short to power.

Is the inspection result normal?

- YES >> GO TO 4.
NO >> Repair open circuit, short to ground or short to power in harness or connectors.

4. CHECK BRAKE PEDAL POSITION SWITCH

Check brake pedal position switch. Refer to [EC-538, "Component Inspection \(Brake Pedal Position Switch\)"](#).

Is the inspection result normal?

- YES >> Check intermittent incident. Refer to [GI-41, "Intermittent Incident"](#).
NO >> Replace brake pedal position switch. Refer to [BR-20, "Exploded View"](#).

Component Inspection (Brake Pedal Position Switch)

INFOID:000000011940008

1. CHECK BRAKE PEDAL POSITION SWITCH-I

1. Turn ignition switch OFF.
2. Disconnect BRAKE pedal position switch harness connector.
3. Check the continuity between brake pedal position switch terminals under the following conditions.

Terminals	Condition		Continuity
1 and 2	Brake pedal	Fully released	Existed
		Slightly depressed	Not existed

Is the inspection result normal?

- YES >> INSPECTION END
NO >> GO TO 2.

2. CHECK BRAKE PEDAL POSITION SWITCH-II

1. Adjust brake pedal position switch installation. Refer to [BR-12, "Adjustment"](#).
2. Check the continuity between brake pedal position switch terminals under the following conditions.

Terminals	Condition		Continuity
1 and 2	Brake pedal	Fully released	Existed
		Slightly depressed	Not existed

Is the inspection result normal?

- YES >> INSPECTION END
NO >> Replace brake pedal position switch. Refer to [BR-20, "Exploded View"](#).

ICC BRAKE SWITCH

Component Function Check

INFOID:000000011940009

1. CHECK BRAKE PEDAL POSITION SWITCH FUNCTION

 With CONSULT

1. Turn ignition switch ON.
2. Select "BRAKE SW1" in "DATA MONITOR" mode with CONSULT.
3. Check "BRAKE SW1" indication under the following conditions.

Monitor item	Condition		Indication
BRAKE SW1 (ICC brake switch)	Brake pedal	Slightly depressed	OFF
		Fully released	ON

 Without CONSULT

1. Turn ignition switch ON.
2. Check the voltage between ECM harness connector terminals.

ECM			Condition	Voltage
Connector	+	-		
	Terminal			
E10	140	152	Slightly depressed	Approx. 0 V
			Fully released	Battery voltage

Is the inspection result normal?

- YES >> INSPECTION END
 NO >> Proceed to [EC-539, "Diagnosis Procedure"](#).

Diagnosis Procedure

INFOID:000000011940010

1. CHECK BRAKE PEDAL POSITION SWITCH POWER SUPPLY CIRCUIT

1. Turn ignition switch OFF.
2. Disconnect brake pedal position switch harness connector.
3. Turn ignition switch ON.
4. Check the voltage between brake pedal position switch harness connector and ground.

+		-	Voltage
Brake pedal position switch	Terminal		
Connector	Terminal	Ground	Battery voltage
E37	1		

Is the inspection result normal?

- YES >> GO TO 3.
 NO >> GO TO 2.

2. CHECK BRAKE PEDAL POSITION SWITCH POWER SUPPLY CIRCUIT

1. Turn ignition switch OFF.
2. Disconnect fuse block (J/B) harness connector.
3. Check the continuity between brake pedal position switch harness connector and fuse block (J/B) harness connector.

Brake pedal position switch		Fuse block (J/B)		Continuity
Connector	Terminal	Connector	Terminal	
E37	1	E6	1M	Existed

Is the inspection result normal?

ICC BRAKE SWITCH

[VQ35DE]

< DTC/CIRCUIT DIAGNOSIS >

- YES >> Perform the trouble diagnosis for power supply circuit.
NO >> Repair or replace error-detected parts.

3. CHECK BRAKE PEDAL POSITION SWITCH INPUT SIGNAL CIRCUIT FOR OPEN AND SHORT

1. Turn ignition switch OFF.
2. Disconnect ECM harness connector.
3. Check the continuity between brake pedal position switch harness connector and ECM harness connector.

Brake pedal position switch		ECM		Continuity
Connector	Terminal	Connector	Terminal	
E37	2	E10	140	Existed

4. Also check harness for short to ground and short to power.

Is the inspection result normal?

- YES >> GO TO 4.
NO >> Repair open circuit, short to ground or short to power in harness or connectors.

4. CHECK BRAKE PEDAL POSITION SWITCH

Check brake pedal position switch. Refer to [EC-540, "Component Inspection \(ICC Brake Switch\)"](#).

Is the inspection result normal?

- YES >> INSPECTION END
NO >> Replace brake pedal position switch. Refer to [BR-20, "Exploded View"](#).

Component Inspection (ICC Brake Switch)

INFOID:000000011940011

1. CHECK BRAKE PEDAL POSITION SWITCH-I

1. Turn ignition switch OFF.
2. Disconnect brake pedal position switch harness connector.
3. Check the continuity between brake pedal position switch terminals under the following conditions.

Terminals	Condition		Continuity
1 and 2	Brake pedal	Fully released	Existed
		Slightly depressed	Not existed

Is the inspection result normal?

- YES >> INSPECTION END
NO >> GO TO 2.

2. CHECK BRAKE PEDAL POSITION SWITCH-II

1. Adjust brake pedal position switch installation. Refer to [BR-12, "Adjustment"](#).
2. Check the continuity between brake pedal position switch terminals under the following conditions.

Terminals	Condition		Continuity
1 and 2	Brake pedal	Fully released	Existed
		Slightly depressed	Not existed

Is the inspection result normal?

- YES >> INSPECTION END
NO >> Replace brake pedal position switch. Refer to [BR-20, "Exploded View"](#).

COOLING FAN

< DTC/CIRCUIT DIAGNOSIS >

[VQ35DE]

COOLING FAN

Component Function Check

INFOID:000000011940012

1. CHECK COOLING FAN FUNCTION

With CONSULT

1. Turn ignition switch ON.
2. Perform "COOLING FAN" in "ACTIVE TEST" mode of "ENGINE" using CONSULT.
3. Touch "LOW", "MID", "HI" on the CONSULT screen.
4. Check that cooling fan operates.

Without CONSULT

1. Activates IPDM E/R auto active test and check cooling fan motors operation, refer to [PCS-9. "Diagnosis Description"](#).
2. Check that cooling fan operates.

Is the inspection result normal?

- YES >> INSPECTION END
 NO >> Proceed to [EC-541. "Diagnosis Procedure"](#).

Diagnosis Procedure

INFOID:000000011940013

1. CHECK COOLING FAN RELAY POWER SUPPLY CIRCUIT

1. Turn ignition switch OFF.
2. Disconnect cooling fan relays-2, -3.
3. Turn ignition switch ON.
4. Check the voltage between cooling fan relays-2, -3 harness connectors and ground.

+		-	Voltage		
Cooling fan relay					
Connector	Terminal	Ground	Battery voltage		
E42 (cooling fan relay-2)	2			Ground	Battery voltage
	5				
E43 (cooling fan relay-3)	2				
	5				

Is the inspection result normal?

- YES >> GO TO 2.
 NO >> Perform trouble diagnosis for power supply circuit.

2. CHECK COOLING FAN RELAY OUTPUT SIGNAL CIRCUIT

1. Turn ignition switch OFF.
2. Disconnect IPDM E/R harness connectors.
3. Check the continuity between cooling fan relay-2, -3 harness connectors and IPDM E/R harness connector.

+		-		Continuity	
Cooling fan relay		IPDM E/R			
Connector	Terminal	Connector	Terminal	Existed	
E42 (cooling fan relay-2)	1	E19	27		Existed
	E43 (cooling fan relay-3)		1		

4. Also check harness for short to ground and to power.

Is the inspection result normal?

- YES >> GO TO 3.

COOLING FAN

[VQ35DE]

< DTC/CIRCUIT DIAGNOSIS >

NO >> Repair or replace error-detected parts.

3. CHECK COOLING FAN MOTOR POWER SUPPLY CIRCUIT

1. Disconnect cooling fan motor-1 harness connector.
2. Check the voltage between cooling fan motor-1 harness connector and ground.

+		-	Voltage
Cooling fan motor-1			
Connector	Terminal	Ground	Battery voltage
E220	1		
	2		

Is the inspection result normal?

YES >> GO TO 4.

NO >> Perform trouble diagnosis for power supply circuit.

4. CHECK COOLING FAN MOTOR CIRCUIT-1

1. Disconnect cooling fan motor-2 harness connector.
2. Check the continuity between cooling fan relay-2, -3 harness connectors and cooling fan motor-1, -2 harness connectors.

+		-		Continuity
Cooling fan relay		Cooling fan motor		
Connector	Terminal	Connector	Terminal	Existed
E42 (cooling fan relay-2)	3	E221 (Cooling fan motor-2)	2	
	7	E220 (Cooling fan motor-1)	3	
E43 (cooling fan relay-3)	3	E221 (Cooling fan motor-2)	1	
	7	E220 (Cooling fan motor-1)	4	

3. Also check harness for short to ground and to power.

Is the inspection result normal?

YES >> GO TO 5.

NO >> Repair or replace error-detected parts.

5. CHECK COOLING FAN MOTOR CIRCUIT-2

1. Check the continuity between IPDM E/R harness connector and cooling fan motor-1, -2 harness connector.

+		-		Continuity
IPDM E/R		Cooling fan motor		
Connector	Terminal	Connector	Terminal	Existed
E17	4	E220 (Cooling fan motor-1)	4	
	6	E221 (Cooling fan motor-2)	1	

2. Also check harness for short to ground and to power.

Is the inspection result normal?

YES >> GO TO 6.

NO >> Repair or replace error-detected parts.

6. CHECK COOLING FAN MOTOR CIRCUIT-3

COOLING FAN

[VQ35DE]

< DTC/CIRCUIT DIAGNOSIS >

1. Check the continuity between cooling fan relay-2, -3 harness connectors and ground.

+		-	Continuity
Cooling fan relay			
Connector	Terminal	Ground	Existed
E42 (cooling fan relay-2)	6		
E43 (cooling fan relay-3)	6		

2. Also check harness for short to ground and to power.

Is the inspection result normal?

YES >> GO TO 7.

NO >> Repair or replace error-detected parts.

7.CHECK COOLING FAN MOTOR CIRCUIT-4

1. Check the continuity between cooling fan motor-2 harness connector and ground.

+		-	Continuity
Cooling fan motor-2			
Connector	Terminal	Ground	Existed
E221	3		
	4		

2. Also check harness for short to ground and to power.

Is the inspection result normal?

YES >> GO TO 8.

NO >> Repair or replace error-detected parts.

8.CHECK COOLING FAN RELAY-2 AND -3

Refer to [EC-544, "Component Inspection \(Cooling Fan Relay\)"](#).

Is the inspection result normal?

YES >> GO TO 9.

NO >> Replace malfunctioning cooling fan relay.

9.CHECK COOLING FAN MOTORS-1 AND -2

Refer to [EC-543, "Component Inspection \(Cooling Fan Motor\)"](#).

Is the inspection result normal?

YES >> GO TO 10.

NO >> Replace malfunctioning cooling fan motor. Refer to [CO-16, "Removal and Installation"](#).

10.CHECK INTERMITTENT INCIDENT

Perform [.GI-41, "Intermittent Incident"](#)

Is the inspection result normal?

YES >> Replace IPDM E/R. Refer to [PCS-36, "Removal and Installation"](#).

NO >> Repair or replace error-detected parts.

Component Inspection (Cooling Fan Motor)

INFOID:000000011940014

1.CHECK COOLING FAN MOTOR

1. Turn ignition switch OFF.
2. Disconnect cooling fan motor harness connector.
3. Supply cooling fan motor terminals with battery voltage and check operation.

COOLING FAN

< DTC/CIRCUIT DIAGNOSIS >

[VQ35DE]

Cooling fan motor		Condition
Terminal		
+	-	
1	3 and 4	A
2	3 and 4	
1 and 2	3	
1 and 2	4	
1, 2	3, 4	B

Check that cooling fan speed of condition B is higher than that of A.

Is the inspection result normal?

YES >> INSPECTION END

NO >> Replace cooling fan motor. Refer to [CO-16. "Removal and Installation"](#).

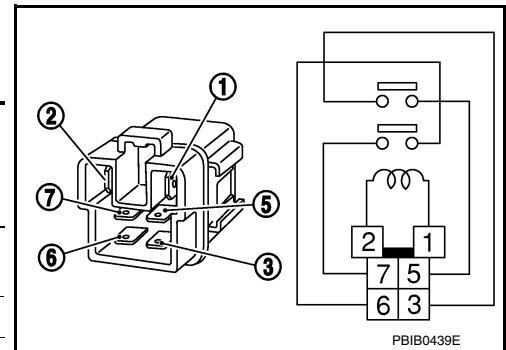
Component Inspection (Cooling Fan Relay)

INFOID:000000011940015

1. CHECK COOLING FAN RELAYS

1. Turn ignition switch OFF.
2. Remove cooling fan relay-2, -3.
3. Check the continuity between cooling fan relay-2, -3 terminals as per the following conditions.

Cooling fan relay-2, -3		Conditions	Continuity
+	-		
Terminal			
5	3	12V direct current supply between terminals 1 and 2	Existed
		No current supply	Not existed
7	6	12V direct current supply between terminals 1 and 2	Existed
		No current supply	Not existed



Is the inspection result normal?

YES >> INSPECTION END

NO >> Replace cooling fan relay.

ELECTRICAL LOAD SIGNAL

[VQ35DE]

< DTC/CIRCUIT DIAGNOSIS >

ELECTRICAL LOAD SIGNAL

Description

INFOID:0000000011940016

The electrical load signal (Headlamp switch signal, rear window defogger switch signal, etc.) is transferred via the CAN communication.

Component Function Check

INFOID:0000000011940017

1. CHECK REAR WINDOW DEFOGGER SWITCH FUNCTION

1. Turn ignition switch ON.
2. Connect CONSULT and select "DATA MONITOR" mode.
3. Select "LOAD SIGNAL" and check indication under the following conditions.

Monitor item	Condition	Indication	
LOAD SIGNAL	Rear window defogger switch	ON	ON
		OFF	OFF

Is the inspection result normal?

- YES >> GO TO 2.
NO >> Proceed to [EC-545, "Diagnosis Procedure"](#).

2. CHECK LIGHTING SWITCH FUNCTION

Check "LOAD SIGNAL" indication under the following conditions.

Monitor item	Condition	Indication	
LOAD SIGNAL	Lighting switch	ON at 2nd position	ON
		OFF	OFF

Is the inspection result normal?

- YES >> GO TO 3.
NO >> Proceed to [EC-545, "Diagnosis Procedure"](#).

3. CHECK HEATER FAN CONTROL SWITCH FUNCTION

Select "HEATER FAN SW" and check indication under the following conditions.

Monitor item	Condition	Indication	
HEATER FAN SW	Heater fan control switch	ON	ON
		OFF	OFF

Is the inspection result normal?

- YES >> INSPECTION END
NO >> Proceed to [EC-545, "Diagnosis Procedure"](#).

Diagnosis Procedure

INFOID:0000000011940018

1. INSPECTION START

Confirm the malfunctioning circuit (rear window defogger, headlamp or heater fan). Refer to [EC-545, "Component Function Check"](#).

Which circuit is related to the incident?

- Rear window defogger >> GO TO 2.
Headlamp >> GO TO 3.
Heater fan >> GO TO 4.

2. CHECK REAR WINDOW DEFOGGER SYSTEM

Check rear window defogger system. Refer to [DEF-16, "Work Flow"](#).

ELECTRICAL LOAD SIGNAL

< DTC/CIRCUIT DIAGNOSIS >

[VQ35DE]

>> INSPECTION END

3.CHECK HEADLAMP SYSTEM

Check headlamp system. Refer to [EXL-66, "Work Flow"](#) (LED headlamp) or [EXL-186, "Work Flow"](#) (halogen headlamp).

>> INSPECTION END

4.CHECK HEATER FAN CONTROL SYSTEM

Check heater fan control system. Refer to [HAC-43, "Work Flow"](#).

>> INSPECTION END

ELECTRONIC CONTROLLED ENGINE MOUNT

< DTC/CIRCUIT DIAGNOSIS >

[VQ35DE]

ELECTRONIC CONTROLLED ENGINE MOUNT

Component Function Check

INFOID:000000011940019

1.CHECK OVERALL FUNCTION

1. Start engine and warm it up to normal operating temperature.
2. Shift selector position is D while depressing the brake pedal and parking brake pedal.
3. Disconnect electronic controlled engine mount control solenoid valve harness connector.
4. Check that body vibration increases compared to the condition of step 2 above (with vehicle stopped).

Is the inspection result normal?

- YES >> INSPECTION END
NO >> [EC-547, "Diagnosis Procedure"](#).

Diagnosis Procedure

INFOID:000000011940020

1.CHECK VACUUM SOURCE

1. Turn ignition switch OFF.
2. Reconnect electronic controlled engine mount control solenoid valve harness connector.
3. Disconnect vacuum hose connected to electronic controlled engine mount.
4. Start engine and let it idle.
5. Check vacuum hose for vacuum existence.

Vacuum should exist.

Is the inspection result normal?

- YES >> GO TO 7.
NO >> GO TO 2.

2.CHECK VACUUM HOSES AND VACUUM GALLERY

1. Turn ignition switch OFF.
2. Check vacuum hoses and vacuum gallery for clogging, cracks or improper connection. Refer to [EC-43, "ELECTRONIC CONTROLLED ENGINE MOUNT : System Description"](#).

Is the inspection result normal?

- YES >> GO TO 3.
NO >> Repair or replace vacuum hoses and vacuum gallery.

3.CHECK ELECTRONIC CONTROLLED ENGINE MOUNT CONTROL SOLENOID VALVE POWER SUPPLY

1. Disconnect electronic controlled engine mount control solenoid valve harness connector.
2. Turn ignition switch ON.
3. Check the voltage between front electronic controlled engine mount harness connector and ground.

+		-	Voltage
Electronic controlled engine mount control solenoid valve			
Connector	Terminal		
F64	1	Ground	Battery voltage

Is the inspection result normal?

- YES >> GO TO 4.
NO >> Repair open circuit, short to ground or short to power in harness connectors.

4.CHECK ELECTRONIC CONTROLLED ENGINE MOUNT CONTROL SOLENOID VALVE OUTPUT SIGNAL CIRCUIT FOR OPEN AND SHORT

1. Disconnect ECM harness connector.
2. Check the continuity between ECM harness connector and electronic controlled engine mount control solenoid valve harness connector.

ELECTRONIC CONTROLLED ENGINE MOUNT

< DTC/CIRCUIT DIAGNOSIS >

[VQ35DE]

ECM		Electronic controlled engine mount control solenoid valve		Continuity
Connector	Terminal	Connector	Terminal	
F13	49	F64	2	Existed

3. Also check harness for short to ground and short to power.

Is the inspection result normal?

YES >> GO TO 5.

NO >> Repair open circuit, short to ground or short to power in harness connectors.

5. CHECK ELECTRONIC CONTROLLED ENGINE MOUNT CONTROL SOLENOID VALVE

Check electronic controlled engine mount control solenoid valve. Refer to [EC-548. "Component Inspection"](#).

Is the inspection result normal?

YES >> GO TO 6.

NO >> Replace electronic controlled engine mount control solenoid valve. Refer to [EC-15. "ENGINE CONTROL SYSTEM : Component Parts Location"](#).

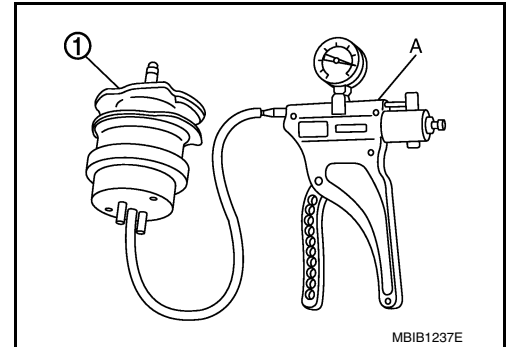
6. CHECK ELECTRONIC CONTROLLED ENGINE MOUNT

1. Turn ignition switch OFF.
2. Install vacuum pump (A) to electronic controlled engine mount ^①.
3. Check that a vacuum is maintained when applying the vacuum of -40 kPa (-0.4 bar, -0.41 kg/cm², -5.8 psi) to electronic controlled engine mount.
4. Also visually check electronic controlled engine mount.

Is the inspection result normal?

YES >> GO TO 7.

NO >> Replace electronic controlled engine mount.



7. CHECK INTERMITTENT INCIDENT

Check intermittent incident. Refer to [GI-41. "Intermittent Incident"](#).

Is the inspection result normal?

YES >> Replace intake manifold collector. Refer to [EM-27. "Removal and Installation"](#).

NO >> Repair or replace error-detected parts.

Component Inspection

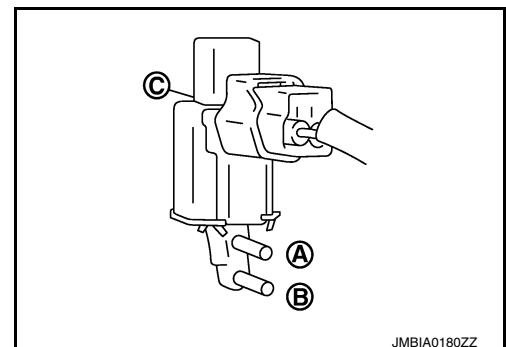
INFOID:000000011940021

1. CHECK ELECTRONIC CONTROLLED ENGINE MOUNT CONTROL SOLENOID VALVE

④ With CONSULT

1. Turn ignition switch OFF.
2. Reconnect electronic controlled engine mount control solenoid valve harness connector.
3. Disconnect vacuum hoses connected to electronic controlled engine mount control solenoid valve.
4. Turn ignition switch ON.
5. Select "ENGINE MOUNTING" in "ACTIVE TEST" mode with CONSULT.
6. Check air passage continuity and operation delay time under the following conditions.

Condition (ENGINE MOUNTING)	Air passage continuity between (A) and (B)	Air passage continuity between (A) and (C)
TRVL	Existed	Not existed
IDLE	Not existed	Existed



⊗ Without CONSULT

1. Turn ignition switch OFF.

ELECTRONIC CONTROLLED ENGINE MOUNT

[VQ35DE]

< DTC/CIRCUIT DIAGNOSIS >

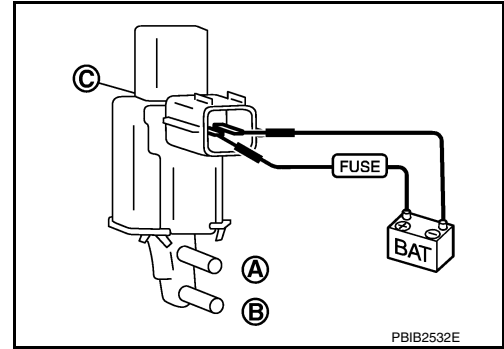
2. Disconnect electronic controlled engine mount control solenoid valve harness connector.
3. Disconnect vacuum hoses connected to electronic controlled engine mount control solenoid valve.
4. Check air passage continuity and operation delay time under the following conditions.

Condition	Air passage continuity between (A) and (B)	Air passage continuity between (A) and (C)
12 V direct current supply between terminals 1 and 2	Existed	Not existed
No supply	Not existed	Existed

Is the inspection result normal?

YES >> INSPECTION END

NO >> Replace electronic controlled engine mount control solenoid valve. Refer to [EC-15. "ENGINE CONTROL SYSTEM : Component Parts Location"](#).



A
EC
C
D
E
F
G
H
I
J
K
L
M
N
O
P

FUEL INJECTOR

Component Function Check

INFOID:000000011940022

1.INSPECTION START

Turn ignition switch to START.

Are any cylinders ignited?

- YES >> GO TO 2.
- NO >> Proceed to [EC-550, "Diagnosis Procedure"](#).

2.CHECK FUEL INJECTOR FUNCTION

Ⓜ With CONSULT

1. Start engine.
2. Perform "POWER BALANCE" in "ACTIVE TEST" mode with CONSULT.
3. Check that each circuit produces a momentary engine speed drop.

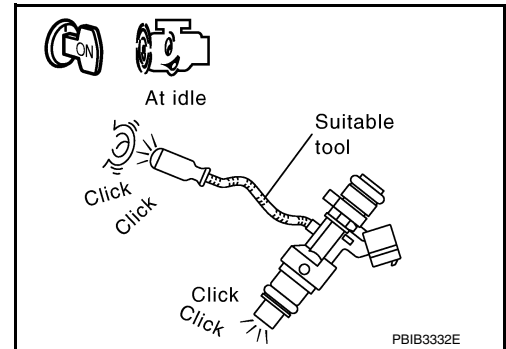
ⓧ Without CONSULT

1. Start engine.
2. Listen to each fuel injector operating sound.

Clicking sound should be heard.

Is the inspection result normal?

- YES >> INSPECTION END
- NO >> Proceed to [EC-550, "Diagnosis Procedure"](#).



Diagnosis Procedure

INFOID:000000011940023

1.CHECK FUEL INJECTOR POWER SUPPLY

1. Turn ignition switch OFF.
2. Disconnect fuel injector harness connector.
3. Turn ignition switch ON.
4. Check the voltage between fuel injector harness connector and ground.

+			-	Voltage
Fuel injector				
Cylinder	Connector	Terminal	Ground	Battery voltage
1	F17	1		
2	F18	1		
3	F19	1		
4	F20	1		
5	F21	1		
6	F22	1		

Is the inspection result normal?

- YES >> GO TO 3.
- NO >> GO TO 2.

2.CHECK FUEL INJECTOR POWER SUPPLY CIRCUIT

1. Turn ignition switch OFF.
2. Disconnect IPDM E/R harness connector.
3. Check the continuity between fuel injector harness connector and IPDM E/R harness connector.

FUEL INJECTOR

< DTC/CIRCUIT DIAGNOSIS >

[VQ35DE]

Fuel injector			IPDM E/R		Continuity
Cylinder	Connector	Terminal	Connector	Terminal	
1	F17	1	F50	54	Existed
2	F18	1		60	
3	F19	1		54	
4	F20	1		60	
5	F21	1		54	
6	F22	1		60	

Is the inspection result normal?

YES >> Perform the trouble diagnosis for power supply circuit.

NO >> Repair or replace error-detected parts.

3.CHECK FUEL INJECTOR OUTPUT SIGNAL CIRCUIT FOR OPEN AND SHORT

1. Turn ignition switch OFF.
2. Disconnect ECM harness connector.
3. Check the continuity between fuel injector harness connector and ECM harness connector.

Fuel injector			ECM		Continuity
Cylinder	Connector	Terminal	Connector	Terminal	
1	F17	2	F13	17	Existed
2	F18	2		16	
3	F19	2		22	
4	F20	2		12	
5	F21	2		11	
6	F22	2		21	

4. Also check harness for short to ground and short to power.

Is the inspection result normal?

YES >> GO TO 4.

NO >> Repair open circuit, short to ground or short to power in harness or connectors.

4.CHECK FUEL INJECTOR

Check fuel injector. Refer to [EC-551, "Component Inspection"](#).

Is the inspection result normal?

YES >> GO TO 5.

NO >> Replace malfunctioning fuel injector. Refer to [EM-46, "Removal and Installation"](#).

5.CHECK INTERMITTENT INCIDENT

Check intermittent incident. Refer to [GI-41, "Intermittent Incident"](#).

Is the inspection result normal?

YES >> Replace IPDM E/R. Refer to [PCS-36, "Removal and Installation"](#).

NO >> Repair or replace error-detected parts.

Component Inspection

INFOID:0000000011940024

1.CHECK FUEL INJECTOR

1. Turn ignition switch OFF.
2. Disconnect fuel injector harness connector.

FUEL INJECTOR

[VQ35DE]

< DTC/CIRCUIT DIAGNOSIS >

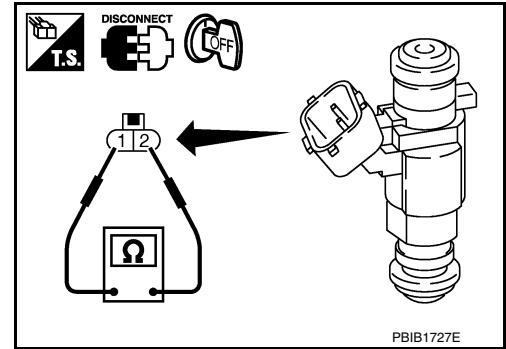
3. Check resistance between fuel injector terminals as per the following.

Terminals	Resistance
1 and 2	11.1 - 14.5 Ω [at 10 - 60°C (50 - 140°F)]

Is the inspection result normal?

YES >> INSPECTION END

NO >> Replace malfunctioning fuel injector. Refer to [EM-46](#).
["Removal and Installation"](#).



FUEL PUMP

< DTC/CIRCUIT DIAGNOSIS >

[VQ35DE]

FUEL PUMP

Component Function Check

INFOID:000000011940025

1. CHECK FUEL PUMP FUNCTION

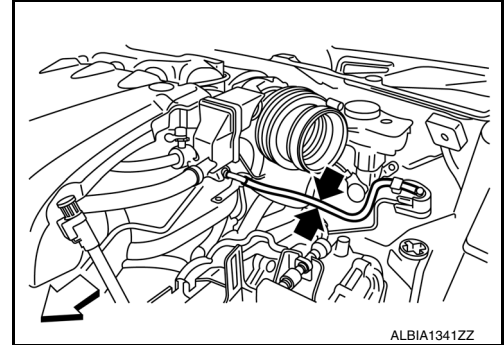
1. Turn ignition switch ON.
2. Pinch fuel feed hose with two fingers.

↶ : Vehicle front

Fuel pressure pulsation should be felt on the fuel feed hose for 1 second after ignition switch is turned ON.

Is the inspection result normal?

- YES >> INSPECTION END
 NO >> [EC-553, "Diagnosis Procedure"](#).



Diagnosis Procedure

INFOID:000000011940026

1. CHECK FUEL PUMP RELAY POWER SUPPLY-I

1. Turn ignition switch OFF.
2. Disconnect ECM harness connector.
3. Turn ignition switch ON.
4. Check the voltage between ECM harness connector terminals.

ECM				Voltage
+		-		
Connector	Terminal	Connector	Terminal	
F13	19	E10	152	Battery voltage

Is the inspection result normal?

- YES >> GO TO 4.
 NO >> GO TO 2.

2. CHECK FUEL PUMP RELAY POWER SUPPLY-II

Check the voltage between IPDM E/R harness connector and ground.

+		-	Voltage
IPDM E/R			
Connector	Terminal		
F51	69	Ground	Battery voltage

Is the inspection result normal?

- YES >> GO TO 3.
 NO >> GO TO 7.

3. CHECK FUEL PUMP RELAY POWER SUPPLY CIRCUIT

1. Turn ignition switch OFF.
2. Disconnect IPDM E/R harness connector.
3. Check the continuity between ECM harness connector and IPDM E/R harness connector.

ECM		IPDM E/R		Continuity
Connector	Terminal	Connector	Terminal	
F13	19	F51	69	Existed

FUEL PUMP

[VQ35DE]

< DTC/CIRCUIT DIAGNOSIS >

Is the inspection result normal?

- YES >> Perform the trouble diagnosis for power supply circuit.
- NO >> Repair or replace error-detected parts.

4.CHECK FUEL PUMP POWER SUPPLY CIRCUIT

1. Disconnect "fuel level sensor unit and fuel pump" harness connector.
2. Check the continuity between IPDM E/R harness connector and "fuel level sensor unit and fuel pump" harness connector.

IPDM E/R		Fuel level sensor unit and fuel pump		Continuity
Connector	Terminal	Connector	Terminal	
E18	15	B42	6	Existed

Is the inspection result normal?

- YES >> GO TO 5.
- NO >> Repair open circuit or short to power in harness or connectors.

5.CHECK FUEL PUMP GROUND CIRCUIT

1. Disconnect "fuel level sensor unit and fuel pump" harness connector.
2. Check the continuity between "fuel level sensor unit and fuel pump" harness connector and ground.

Fuel level sensor unit and fuel pump		Ground	Continuity
Connector	Terminal		
B42	4	Ground	Existed

Is the inspection result normal?

- YES >> GO TO 6.
- NO >> Repair open circuit or short to power in harness or connectors.

6.CHECK FUEL PUMP

Check fuel pump. Refer to [EC-554, "Component Inspection\(Fuel Pump\)"](#).

Is the inspection result normal?

- YES >> GO TO 7.
- NO >> Replace "fuel filter and fuel pump assembly". Refer to [FL-5, "Removal and Installation"](#).

7.CHECK INTERMITTENT INCIDENT

Check intermittent incident. Refer to [GI-41, "Intermittent Incident"](#).

Is the inspection result normal?

- YES >> Replace IPDM E/R. Refer to [PCS-36, "Removal and Installation"](#).
- NO >> Repair or replace error-detected parts.

Component Inspection(Fuel Pump)

INFOID:0000000011940027

1.CHECK FUEL PUMP

1. Turn ignition switch OFF.
2. Disconnect "fuel level sensor unit and fuel pump" harness connector.
3. Check resistance between "fuel level sensor unit and fuel pump" terminals as follows.

Terminals	Resistance (Ω)
4 and 6	0.2 - 5.0 [at 25°C (77°F)]

Is the inspection result normal?

- YES >> INSPECTION END
- NO >> Replace "fuel filter and fuel pump assembly". Refer to [FL-5, "Removal and Installation"](#).

IGNITION SIGNAL

< DTC/CIRCUIT DIAGNOSIS >

[VQ35DE]

IGNITION SIGNAL

Component Function Check

INFOID:0000000011940029

1.INSPECTION START

Turn ignition switch OFF, and restart engine.

Does the engine start?

- YES-1 >> With CONSULT: GO TO 2.
- YES-2 >> Without CONSULT: GO TO 3.
- NO >> Proceed to [EC-555, "Diagnosis Procedure"](#).

2.CHECK IGNITION SIGNAL FUNCTION

With CONSULT

1. Perform "POWER BALANCE" in "ACTIVE TEST" mode with CONSULT.
2. Check that each circuit produces a momentary engine speed drop.

Is the inspection result normal?

- YES >> INSPECTION END
- NO >> Proceed to [EC-555, "Diagnosis Procedure"](#).

3.CHECK IGNITION SIGNAL FUNCTION

Without CONSULT

1. Let engine idle.
2. Read the voltage signal between ECM harness connector terminals with an oscilloscope.

ECM				Voltage signal
+		-		
Connector	Terminal	Connector	Terminal	
F14	103	E10	152	
	104			
	106			
	107			
	113			
	114			

NOTE:

The pulse cycle changes depending on rpm at idle.

Is the inspection result normal?

- YES >> INSPECTION END
- NO >> Proceed to [EC-555, "Diagnosis Procedure"](#).

Diagnosis Procedure

INFOID:0000000011940030

1.CHECK ECM POWER SUPPLY

1. Turn ignition switch OFF, wait at least 10 seconds and then turn it ON.
2. Check the voltage between ECM harness connector terminals.

ECM				Voltage
+		-		
Connector	Terminal	Connector	Terminal	
F14	86	E10	152	Battery voltage

Is the inspection result normal?

- YES >> GO TO 2.
- NO >> Refer to [EC-190, "Diagnosis Procedure"](#).

IGNITION SIGNAL

< DTC/CIRCUIT DIAGNOSIS >

[VQ35DE]

2. CHECK CONDENSER-1 POWER SUPPLY

1. Turn ignition switch OFF.
2. Disconnect condenser-1 harness connector.
3. Turn ignition switch ON.
4. Check the voltage between condenser-1 harness connector and ground.

+		-	Voltage
Condenser-1			
Connector	Terminal		
F26	1	Ground	Battery voltage

Is the inspection result normal?

YES >> GO TO 4.

NO >> GO TO 3.

3. CHECK CONDENSER-1 POWER SUPPLY CIRCUIT

1. Turn ignition switch OFF.
2. Disconnect IPDM E/R harness connector.
3. Check the continuity between IPDM E/R harness connector and condenser-1 harness connector.

IPDM E/R		Condenser-1		Continuity
Connector	Terminal	Connector	Terminal	
F50	55	F26	1	Existed

4. Also check harness for short to ground and short to power.

Is the inspection result normal?

YES >> Refer to [EC-190, "Diagnosis Procedure"](#).

NO >> Repair open circuit, short to ground or short to power in harness or connectors.

4. CHECK CONDENSER-1 GROUND CIRCUIT

1. Turn ignition switch OFF.
2. Check the continuity between condenser-1 harness connector and ground.

Condenser-1		Ground	Continuity
Connector	Terminal		
F26	2	Ground	Existed

3. Also check harness for short to power.

Is the inspection result normal?

YES >> GO TO 5.

NO >> Repair open circuit or short to power in harness or connectors.

5. CHECK CONDENSER-1

Check condenser-1. Refer to [EC-559, "Component Inspection \(Condenser-1\)"](#)

Is the inspection result normal?

YES >> GO TO 6.

NO >> Replace condenser-1.

6. CHECK IGNITION COIL POWER SUPPLY

1. Reconnect all harness connectors disconnected.
2. Disconnect ignition coil harness connector-1.
3. Turn ignition switch ON.
4. Check the voltage between ignition coil harness connector and ground.

IGNITION SIGNAL

< DTC/CIRCUIT DIAGNOSIS >

[VQ35DE]

+			-	Voltage
Ignition coil				
Cylinder	Connector	Terminal		
1	F34	3	Ground	Battery voltage
2	F35	3		
3	F36	3		
4	F37	3		
5	F38	3		
6	F39	3		

Is the inspection result normal?

YES >> GO TO 7.

NO >> Repair or replace harness or connectors.

7. CHECK IGNITION COIL GROUND CIRCUIT FOR OPEN AND SHORT

1. Turn ignition switch OFF.
2. Check the continuity between ignition coil harness connector and ground.

Ignition coil			Ground	Continuity
Cylinder	Connector	Terminal		
1	F34	2	Ground	Existed
2	F35	2		
3	F36	2		
4	F37	2		
5	F38	2		
6	F39	2		

3. Also check harness for short to power.

Is the inspection result normal?

YES >> GO TO 8.

NO >> Repair open circuit or short to power in harness or connectors.

8. CHECK IGNITION COIL OUTPUT SIGNAL CIRCUIT FOR OPEN AND SHORT

1. Disconnect ECM harness connector.
2. Check the continuity between ignition coil harness connector and ECM harness connector.

Ignition coil			ECM		Continuity
Cylinder	Connector	Terminal	Connector	Terminal	
1	F34	1	F14	113	Existed
2	F35	1		106	
3	F36	1		103	
4	F37	1		114	
5	F38	1		107	
6	F39	1		104	

3. Also check harness for short to ground and short to power.

Is the inspection result normal?

YES >> GO TO 9.

NO >> Repair open circuit, short to ground or short to power in harness or connectors.

9. CHECK IGNITION COIL WITH POWER TRANSISTOR

IGNITION SIGNAL

[VQ35DE]

< DTC/CIRCUIT DIAGNOSIS >

Check ignition coil with power transistor. Refer to [EC-558. "Component Inspection \(Ignition Coil with Power Transistor\)"](#).

Is the inspection result normal?

YES >> Check intermittent incident. Refer to [GI-41. "Intermittent Incident"](#).

NO >> Replace malfunctioning ignition coil with power transistor. Refer to [EM-45. "Removal and Installation \(LH\)"](#), [EM-45. "Removal and Installation \(RH\)"](#).

Component Inspection (Ignition Coil with Power Transistor)

INFOID:000000011940031

1. CHECK IGNITION COIL WITH POWER TRANSISTOR-I

1. Turn ignition switch OFF.
2. Disconnect ignition coil harness connector.
3. Check resistance between ignition coil terminals as per the following.

Terminal No. (Polarity)	Resistance Ω [at 25°C (77°F)]
1 and 2	Except 0 or ∞
1 and 3	Except 0
2 and 3	

Is the inspection result normal?

YES >> GO TO 2.

NO >> Replace malfunctioning ignition coil with power transistor. Refer to [EM-45. "Removal and Installation \(LH\)"](#), [EM-45. "Removal and Installation \(RH\)"](#).

2. CHECK IGNITION COIL WITH POWER TRANSISTOR-II

CAUTION:

Perform the following procedure in a place with no combustible objects and good ventilation.

1. Turn ignition switch OFF.
2. Reconnect all harness connectors disconnected.
3. Remove fuel pump fuse in IPDM E/R to release fuel pressure.

NOTE:

Do not use CONSULT to release fuel pressure, or fuel pressure applies again during the following procedure.

4. Start engine.
5. After engine stalls, crank it 2 or 3 times to release all fuel pressure.
6. Turn ignition switch OFF.
7. Remove all ignition coil harness connectors to avoid the electrical discharge from the ignition coils.
8. Remove ignition coil and spark plug of the cylinder to be checked.
9. Crank engine for 5 seconds or more to remove combustion gas in the cylinder.
10. Connect spark plug and harness connector to ignition coil.
11. Fix ignition coil using a rope etc. with gap of 13 - 17 mm (0.52 - 0.66 in) between the edge of the spark plug and grounded metal portion as shown in the figure.
12. Crank engine for approximately 3 seconds, and check whether spark is generated between the spark plug and the grounded metal portion.

Spark should be generated.

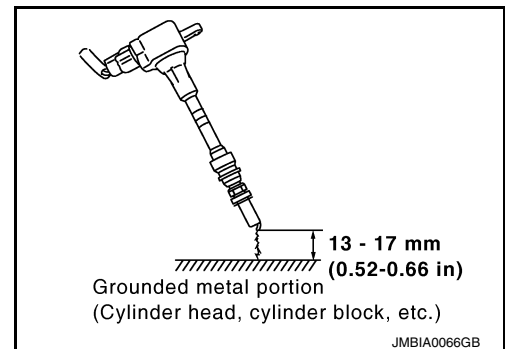
CAUTION:

- During the operation, always stay 0.5 m (19.7 in) or more away from the spark plug and the ignition coil. Be careful not to get an electrical shock while checking, because the electrical discharge voltage becomes 20 kV or more.
- It might cause to damage the ignition coil if the gap of more than 17 mm (0.66 in) is taken.

NOTE:

When the gap is less than 13 mm (0.52 in), the spark might be generated even if the coil is malfunctioning.

Is the inspection result normal?



IGNITION SIGNAL

[VQ35DE]

< DTC/CIRCUIT DIAGNOSIS >

YES >> INSPECTION END

NO >> Replace malfunctioning ignition coil with power transistor. Refer to [EM-45. "Removal and Installation \(LH\)"](#), [EM-45. "Removal and Installation \(RH\)"](#).

A

Component Inspection (Condenser-1)

INFOID:0000000011940032

EC

1. CHECK CONDENSER-1

1. Turn ignition switch OFF.
2. Disconnect condenser-1 harness connector.
3. Check resistance between condenser-1 terminals as per the following.

C

Terminals	Resistance
1 and 2	Above 1 M Ω [at 25C° (77C°)]

D

Is the inspection result normal?

E

YES >> INSPECTION END

NO >> Replace condenser-1.

F

G

H

I

J

K

L

M

N

O

P

INFORMATION DISPLAY (ASCD)

Component Function Check

INFOID:000000011940033

1. CHECK INFORMATION DISPLAY

1. Start engine.
2. Press MAIN switch on ASCD steering switch.
3. Drive the vehicle at more than 40 km/h (25 MPH).
CAUTION:
Always drive vehicle at a safe speed.
4. Press SET/COAST switch.
5. Check that the reading of the speedometer shows the same value as the set speed indicated in the information display while driving the vehicle on a flat road.

Is the inspection result normal?

- YES >> INSPECTION END
 NO >> Proceed to [EC-560, "Diagnosis Procedure"](#).

Diagnosis Procedure

INFOID:000000011940034

1. CHECK DTC

Check that DTC UXXXX, P0500 or P1574 is not displayed.

Is the inspection result normal?

- YES >> GO TO 2.
 NO-1 >> Perform trouble diagnosis for DTC UXXXX.
 NO-2 >> Perform trouble diagnosis for DTC P0500. Refer to [EC-386, "DTC Description"](#).
 NO-3 >> Perform trouble diagnosis for DTC P1574. Refer to [EC-482, "DTC Description"](#).

2. CHECK DTC WITH COMBINATION METER

Refer to [MWI-20, "CONSULT Function \(METER/M&A\)"](#).

Is the inspection result normal?

- YES >> GO TO 3.
 NO >> Perform trouble diagnosis for DTC indicated.

3. CHECK INTERMITTENT INCIDENT

Refer to [GI-41, "Intermittent Incident"](#).

Is the inspection result normal?

- YES >> Replace combination meter. Refer to [MWI-68, "Removal and Installation"](#).
 NO >> Repair or replace.

MALFUNCTION INDICATOR LAMP

< DTC/CIRCUIT DIAGNOSIS >

[VQ35DE]

MALFUNCTION INDICATOR LAMP

Component Function Check

INFOID:0000000011940035

1.CHECK MIL FUNCTION

1. Turn ignition switch ON.
2. Check that MIL illuminates.

Is the inspection result normal?

- YES >> INSPECTION END
NO >> Proceed to [EC-561, "Diagnosis Procedure"](#).

Diagnosis Procedure

INFOID:0000000011940036

1.CHECK DTC

Check that DTC UXXXX is not displayed.

Is the inspection result normal?

- YES >> GO TO 2.
NO >> Perform trouble diagnosis for DTC UXXXX.

2.CHECK COMBINATION METER FUNCTION

Check combination meter function. Refer to [MWI-20, "CONSULT Function \(METER/M&A\)"](#).

Is the inspection result normal?

- YES >> GO TO 3.
NO >> Repair or replace.

3.CHECK INTERMITTENT INCIDENT

Check intermittent incident. Refer to [GI-41, "Intermittent Incident"](#).

Is the inspection result normal?

- YES >> Replace combination meter. Refer to [MWI-68, "Removal and Installation"](#).
NO >> Repair or replace error-detected parts.

A
EC
C
D
E
F
G
H
I
J
K
L
M
N
O
P

ON BOARD REFUELING VAPOR RECOVERY (ORVR)

< DTC/CIRCUIT DIAGNOSIS >

[VQ35DE]

ON BOARD REFUELING VAPOR RECOVERY (ORVR)

Component Function Check

INFOID:000000011940037

1.CHECK ORVR FUNCTION

Check whether the following symptoms are present.

- Fuel odor from EVAP canister is strong.
- Cannot refuel/Fuel odor from the fuel filler opening is strong while refueling.

Are any symptoms present?

- YES >> Proceed to [EC-562, "Diagnosis Procedure"](#).
NO >> INSPECTION END

Diagnosis Procedure

INFOID:000000011940038

1.INSPECTION START

Check whether the following symptoms are present.

- A: Fuel odor from EVAP canister is strong.
B: Cannot refuel/Fuel odor from the fuel filler opening is strong while refueling.

A or B

- A >> GO TO 2.
B >> GO TO 7.

2.CHECK EVAP CANISTER

1. Remove EVAP canister with EVAP canister vent control valve and EVAP control system pressure sensor attached. Refer to [FL-15, "Removal and Installation"](#).
2. Weigh the EVAP canister with EVAP canister vent control valve and EVAP control system pressure sensor attached.

The weight should be less than 2.1 kg (4.6 lb).

Is the inspection result normal?

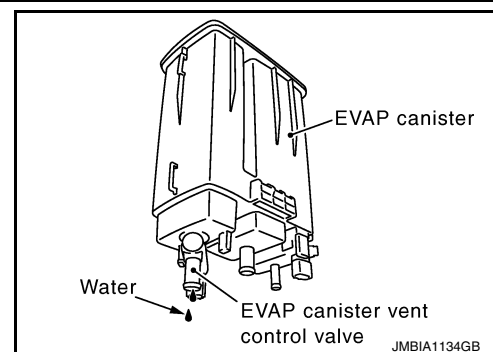
- YES >> GO TO 3.
NO >> GO TO 4.

3.CHECK IF EVAP CANISTER IS SATURATED WITH WATER

Check if water will drain from EVAP canister

Does water drain from the EVAP canister?

- YES >> GO TO 4.
NO >> GO TO 6.



4.REPLACE EVAP CANISTER

Replace EVAP canister with a new one. Refer to [FL-15, "Removal and Installation"](#).

>> GO TO 5.

5.DETECT MALFUNCTIONING PART

Check the EVAP hose between EVAP canister and vehicle frame for clogging or poor connection.

>> Repair or replace EVAP hose. Refer to [FL-17, "Exploded View"](#).

6.CHECK REFUELING EVAP VAPOR CUT VALVE

Check refueling EVAP vapor cut valve. Refer to [EC-564, "Component Inspection"](#).

ON BOARD REFUELING VAPOR RECOVERY (ORVR)

[VQ35DE]

< DTC/CIRCUIT DIAGNOSIS >

Is the inspection result normal?

YES >> INSPECTION END

NO >> Replace refueling EVAP vapor cut valve with fuel tank. Refer to [FL-10. "Removal and Installation"](#).

7. CHECK EVAP CANISTER

1. Remove EVAP canister with EVAP canister vent control valve and EVAP control system pressure sensor attached. Refer to [FL-15. "Removal and Installation"](#).

2. Weigh the EVAP canister with EVAP canister vent control valve and EVAP control system pressure sensor attached.

The weight should be less than 2.1 kg (4.6 lb).

Is the inspection result normal?

YES >> GO TO 8.

NO >> GO TO 9.

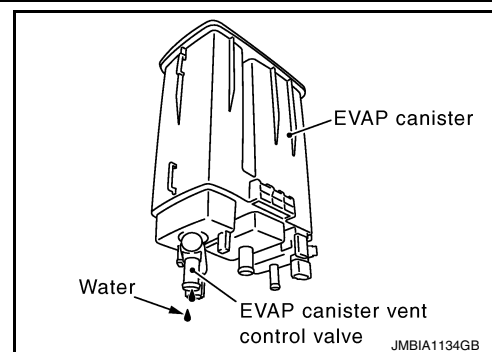
8. CHECK IF EVAP CANISTER IS SATURATED WITH WATER

Check if water will drain from EVAP canister.

Does water drain from the EVAP canister?

YES >> GO TO 6.

NO >> GO TO 11.



9. REPLACE EVAP CANISTER

Replace EVAP canister with a new one. Refer to [FL-15. "Removal and Installation"](#).

>> GO TO 10.

10. DETECT MALFUNCTIONING PART

Check the EVAP hose between EVAP canister and vehicle frame for clogging or poor connection.

>> Repair or replace EVAP hose. Refer to [FL-17. "Exploded View"](#).

11. CHECK VENT HOSES AND VENT TUBES

Check hoses and tubes between EVAP canister and refueling control valve for clogging, kinks, looseness and improper connection.

Is the inspection result normal?

YES >> GO TO 12.

NO >> Repair or replace hoses and tubes.

12. CHECK FILLER NECK TUBE

Check recirculation line for clogging, dents and cracks.

Is the inspection result normal?

YES >> GO TO 13.

NO >> Replace filler neck tube.

13. CHECK REFUELING EVAP VAPOR CUT VALVE

Check refueling EVAP vapor cut valve. Refer to [EC-564. "Component Inspection"](#).

Is the inspection result normal?

YES >> GO TO 14.

NO >> Replace refueling EVAP vapor cut valve with fuel tank. Refer to [FL-10. "Removal and Installation"](#).

14. CHECK FUEL FILLER TUBE

Check filler neck tube and hose connected to the fuel tank for clogging, dents and cracks.

ON BOARD REFUELING VAPOR RECOVERY (ORVR)

[VQ35DE]

< DTC/CIRCUIT DIAGNOSIS >

Is the inspection result normal?

YES >> GO TO 15.

NO >> Replace fuel filler tube. Refer to [FL-10, "Removal and Installation"](#).

15. CHECK ONE-WAY FUEL VALVE-I

Check one-way valve for clogging.

Is the inspection result normal?

YES >> GO TO 16.

NO >> Repair or replace one-way fuel valve with fuel tank. Refer to [FL-10, "Removal and Installation"](#).

16. CHECK ONE-WAY FUEL VALVE-II

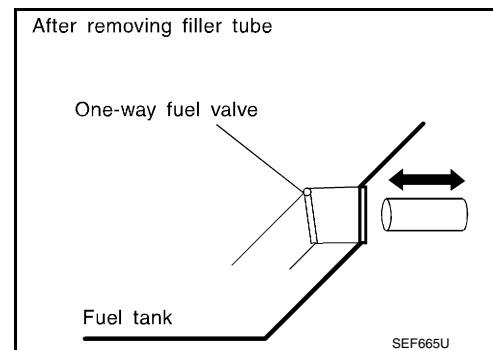
1. Check that fuel is drained from the tank.
2. Remove fuel filler tube and hose. Refer to [FL-10, "Removal and Installation"](#).
3. Check one-way fuel valve for operation as per the following.
When a stick is inserted, the valve should open, when removing stick it should close.

Do not drop any material into the tank.

Is the inspection result normal?

YES >> INSPECTION END

NO >> Replace fuel filler tube or replace one-way fuel valve with fuel tank. Refer to [FL-10, "Removal and Installation"](#).



INFOID:000000011940039

Component Inspection

1. INSPECTION START

Will CONSULT be used?

Will CONSULT be used?

YES >> GO TO 2.

NO >> GO TO 3.

2. CHECK REFUELING EVAP VAPOR CUT VALVE

Ⓟ With CONSULT

1. Turn ignition switch OFF.
2. Remove fuel tank. Refer to [FL-10, "Removal and Installation"](#).
3. Drain fuel from the tank as per the following:
 - Remove fuel feed hose located on the fuel gauge retainer. Refer to [FL-10, "Removal and Installation"](#).
 - Connect a spare fuel hose, one side to fuel gauge retainer where the hose was removed and the other side to a fuel container.
 - Drain fuel using "FUEL PUMP RELAY" in "ACTIVE TEST" mode with CONSULT.
4. Check refueling EVAP vapor cut valve for being stuck to close as per the following.
Blow air into the refueling EVAP vapor cut valve (from the end of EVAP/ORVR line hose), and check that the air flows freely into the tank.
5. Check refueling EVAP vapor cut valve for being stuck to open as per the following.
 - Connect vacuum pump to hose end.
 - Remove fuel gauge retainer with fuel gauge unit.

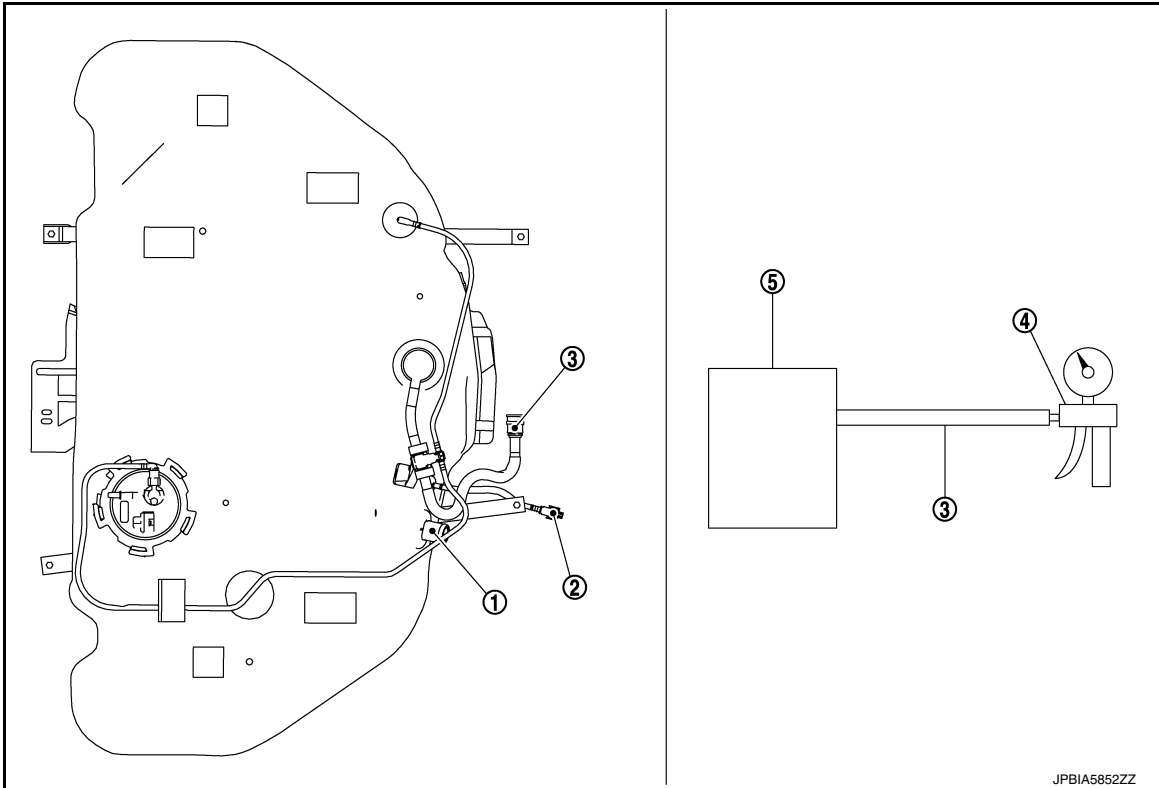
Always replace O-ring with new one.

 - Turn fuel tank upside down.
 - Apply vacuum pressure to hose end [-13.3 kPa (-0.133 bar, -0.136 kg/cm², -1.93 psi)] with fuel gauge retainer remaining open and check that the pressure is applicable.

ON BOARD REFUELING VAPOR RECOVERY (ORVR)

< DTC/CIRCUIT DIAGNOSIS >

[VQ35DE]



- | | | |
|-------------------------------|-----------------------|-------------------|
| 1. Filler tube | 2. Recirculation line | 3. EVAP/ORVR line |
| 4. Vacuum/pressure handy pump | 5. Fuel tank | |

Is the inspection result normal?

YES >> INSPECTION END

NO >> Replace refueling EVAP vapor cut valve with fuel tank. Refer to [FL-10, "Removal and Installation"](#).

3. CHECK REFUELING EVAP VAPOR CUT VALVE

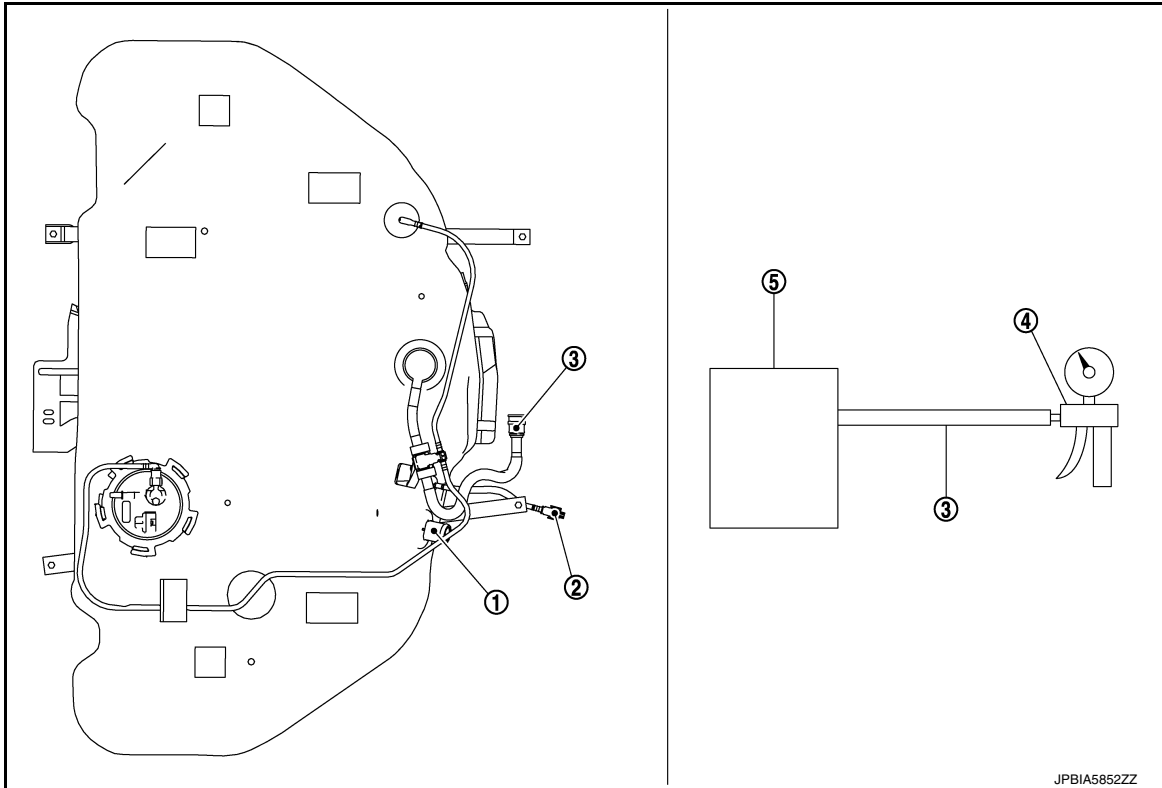
Without CONSULT

1. Turn ignition switch OFF.
 2. Remove fuel tank. Refer to [FL-10, "Removal and Installation"](#).
 3. Drain fuel from the tank as per the following:
 - Remove fuel gauge retainer.
 - Drain fuel from the tank using a handy pump into a fuel container.
 4. Check refueling EVAP vapor cut valve for being stuck to close as per the following.
Blow air into the refueling EVAP vapor cut valve (from the end of EVAP/ORVR line hose), and check that the air flows freely into the tank.
 5. Check refueling EVAP vapor cut valve for being stuck to open as per the following.
 - Connect vacuum pump to hose end.
 - Remove fuel gauge retainer with fuel gauge unit.
- Always replace O-ring with new one.**
- Turn fuel tank upside down.
 - Apply vacuum pressure to hose end [-13.3 kPa (-0.133 bar, -0.136 kg/cm², -1.93 psi)] with fuel gauge retainer remaining open and check that the pressure is applicable.

ON BOARD REFUELING VAPOR RECOVERY (ORVR)

< DTC/CIRCUIT DIAGNOSIS >

[VQ35DE]



- 1. Filler tube
- 2. Recirculation line
- 3. EVAP/ORVR line
- 4. Vacuum/pressure handy pump
- 5. Fuel tank

Is the inspection result normal?

YES >> INSPECTION END

NO >> Replace refueling EVAP vapor cut valve with fuel tank. Refer to [FL-10, "Removal and Installation"](#).

REFRIGERANT PRESSURE SENSOR

< DTC/CIRCUIT DIAGNOSIS >

[VQ35DE]

REFRIGERANT PRESSURE SENSOR

Component Function Check

INFOID:0000000011940040

1. CHECK REFRIGERANT PRESSURE SENSOR FUNCTION

1. Start engine and warm it up to normal operating temperature.
2. Turn A/C switch and blower fan switch ON.
3. Check the voltage between ECM harness connector terminals under the following conditions.

Connector	ECM		Voltage (V)
	+	-	
	Terminal		
F13	20	25	1.0 - 4.0

Is the inspection result normal?

- YES >> INSPECTION END
NO >> Proceed to [EC-567, "Diagnosis Procedure"](#).

Diagnosis Procedure

INFOID:0000000011940041

1. CHECK REFRIGERANT PRESSURE SENSOR POWER SUPPLY

1. Disconnect refrigerant pressure sensor harness connector.
2. Turn ignition switch ON.
3. Check the voltage between refrigerant pressure sensor harness connector and ground.

+		-	Voltage (V)
Refrigerant pressure sensor			
Connector	Terminal		
E219	1	Ground	Approx. 5

Is the inspection result normal?

- YES >> GO TO 3.
NO >> GO TO 2.

2. CHECK REFRIGERANT PRESSURE SENSOR POWER SUPPLY CIRCUIT

1. Turn ignition switch OFF.
2. Disconnect ECM harness connector.
3. Check the continuity between refrigerant pressure sensor harness connector and ECM harness connector.

Refrigerant pressure sensor		ECM		Continuity
Connector	Terminal	Connector	Terminal	
E219	1	F13	18	Existed

Is the inspection result normal?

- YES >> Check sensor power supply 2 circuit. Refer to [EC-569, "Diagnosis Procedure"](#).
NO >> Repair or replace error-detected parts.

3. CHECK REFRIGERANT PRESSURE SENSOR GROUND CIRCUIT FOR OPEN AND SHORT

1. Turn ignition switch OFF.
2. Disconnect ECM harness connector.
3. Check the continuity between refrigerant pressure sensor harness connector and ECM harness connector.

REFRIGERANT PRESSURE SENSOR

[VQ35DE]

< DTC/CIRCUIT DIAGNOSIS >

Refrigerant pressure sensor		ECM		Continuity
Connector	Terminal	Connector	Terminal	
E219	3	F13	25	Existed

4. Also check harness for short to ground and short to power.

Is the inspection result normal?

YES >> GO TO 4.

NO >> Repair or replace error-detected parts.

4.CHECK REFRIGERANT PRESSURE SENSOR INPUT SIGNAL CIRCUIT FOR OPEN AND SHORT

1. Check the continuity between refrigerant pressure sensor harness connector and ECM harness connector.

Refrigerant pressure sensor		ECM		Continuity
Connector	Terminal	Connector	Terminal	
E219	2	F13	20	Existed

2. Also check harness for short to ground and short to power.

Is the inspection result normal?

YES >> GO TO 5.

NO >> Repair or replace error-detected parts.

5.CHECK INTERMITTENT INCIDENT

Check intermittent incident. Refer to [GI-41. "Intermittent Incident"](#).

Is the inspection result normal?

YES >> Replace refrigerant pressure sensor. Refer to [HAC-107. "Removal and Installation"](#).

NO >> Repair or replace error-detected parts.

SENSOR POWER SUPPLY2 CIRCUIT

< DTC/CIRCUIT DIAGNOSIS >

[VQ35DE]

SENSOR POWER SUPPLY2 CIRCUIT

Description

INFOID:0000000011940042

ECM supplies a voltage of 5 V to some of the sensors systematically divided into 2 groups, respectively. Accordingly, when a short circuit develops in a sensor power source, a malfunction may occur simultaneously in the sensors belonging to the same group as the short-circuited sensor.

Sensor power supply 1

- Accelerator pedal position (APP) sensor 1
- Crankshaft position (CKP) sensor (POS)
- Exhaust valve timing (EVT) control position sensor
- Mass air flow (MAF) sensor
- Throttle position (TP) sensor
- Battery current sensor

NOTE:

If sensor power supply 1 circuit is malfunctioning, DTC P0643 is displayed.

Sensor power supply 2

- Accelerator pedal position (APP) sensor 2
- Camshaft position (CMP) sensor (PHASE)
- Engine oil pressure (EOP) sensor
- Refrigerant pressure sensor

Diagnosis Procedure

INFOID:0000000011940043

1. CHECK SENSOR POWER SUPPLY 2

1. Turn ignition switch OFF.
2. Disconnect ECM harness connectors
3. Turn ignition switch ON.
4. Check the voltage between ECM harness connector and ground.

+		-	Voltage (Approx.)
ECM			
Connector	Terminal	Ground	5 V
E10	142		
F13	18		
F14	92		

Is the inspection result normal?

YES >> Check intermittent incident. Refer to [GI-41. "Intermittent Incident"](#).

NO >> GO TO 2.

2. CHECK SENSOR POWER SUPPLY 2 CIRCUIT

1. Turn ignition switch OFF.
2. Disconnect following sensors harness connector.
3. Check harness for short to power and short to ground, between the following terminals.

ECM		Sensor		
Connector	Terminal	Name	Connector	Terminal
E10	142	APP sensor 2	E40	5
F13	18	Refrigerant pressure sensor	E219	1
		EOP sensor	F80	3
F14	92	CMP sensor (PHASE) (bank 1)	F55	1
		CMP sensor (PHASE) (bank 2)	F60	1

Is the inspection result normal?

SENSOR POWER SUPPLY2 CIRCUIT

[VQ35DE]

< DTC/CIRCUIT DIAGNOSIS >

- YES >> GO TO 3.
NO >> Repair or replace error-detected parts.

3.CHECK COMPONENTS

Check the following.

- Accelerator pedal position (APP) sensor 2 (Refer to [EC-513, "Component Inspection"](#).)
- Camshaft position sensor (PHASE) (bank 1) (Refer to [EC-334, "Component Inspection"](#).)
- Camshaft position sensor (PHASE) (bank 2) (Refer to [EC-334, "Component Inspection"](#).)
- Engine oil pressure (EOP) sensor (Refer to [EC-398, "Component Inspection"](#).)
- Refrigerant pressure sensor (Refer to [EC-567, "Diagnosis Procedure"](#).)

Is the inspection result normal?

- YES >> Perform [GI-41, "Intermittent Incident"](#).
NO >> Replace malfunctioning component.

VARIABLE INDUCTION AIR SYSTEM

< DTC/CIRCUIT DIAGNOSIS >

[VQ35DE]

VARIABLE INDUCTION AIR SYSTEM

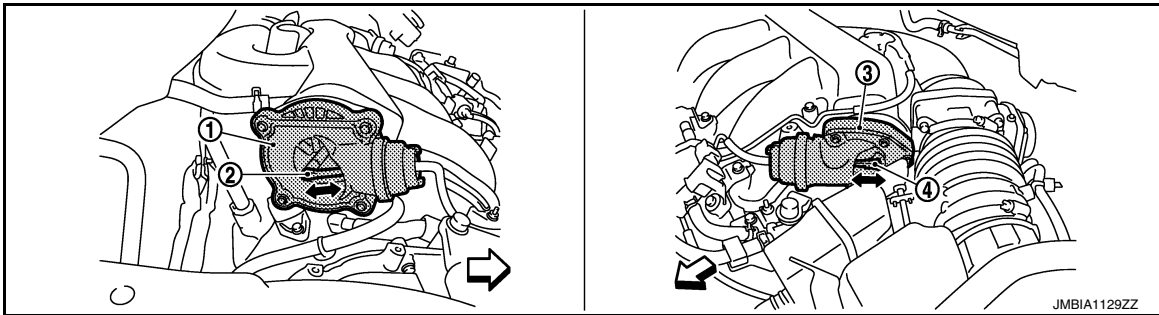
Component Function Check

INFOID:000000011940044

1. CHECK OVERALL FUNCTION-I

With CONSULT

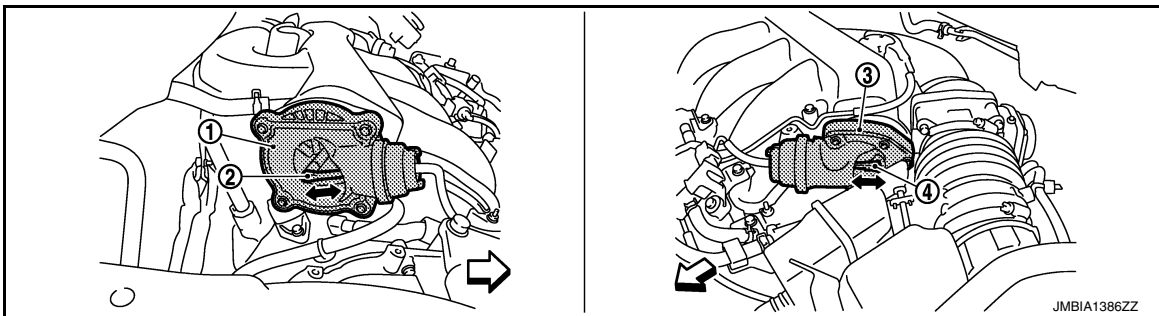
1. Start engine and warm it up to the normal operating temperature.
2. Perform "VIAS S/V-1" in "ACTIVE TEST" mode with CONSULT.
3. Turn VIAS control solenoid valve 1 "ON" and "OFF", and check that power valve actuator 1 rod moves.



- ① Power valve actuator 1 ② Power valve actuator 1 rod ③ Power valve actuator 2
④ Power valve actuator 2 rod
↔ : Vehicle front

Without CONSULT

1. Start engine and warm it up to the normal operating temperature.
2. Rev engine quickly up to approximately 5,000 rpm.
3. Check that power valve actuator 1 rod moves.



- ① Power valve actuator 1 ② Power valve actuator 1 rod ③ Power valve actuator 2
④ Power valve actuator 2 rod
↔ : Vehicle front

Is the inspection result normal?

YES >> GO TO 2.

NO >> [EC-572, "Diagnosis Procedure"](#).

2. CHECK OVERALL FUNCTION-II

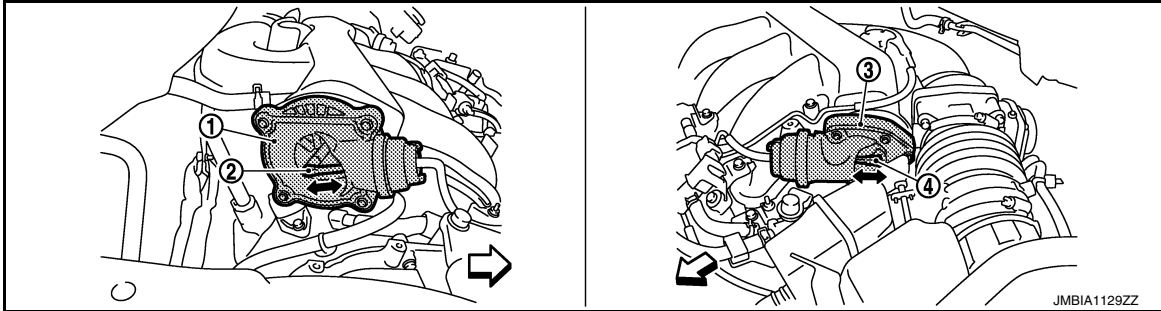
With CONSULT

1. Perform "VIAS S/V-2" in "ACTIVE TEST" mode with CONSULT.
2. Turn VIAS control solenoid valve 2 "ON" and "OFF", and check that power valve actuator 2 rod moves.

VARIABLE INDUCTION AIR SYSTEM

< DTC/CIRCUIT DIAGNOSIS >

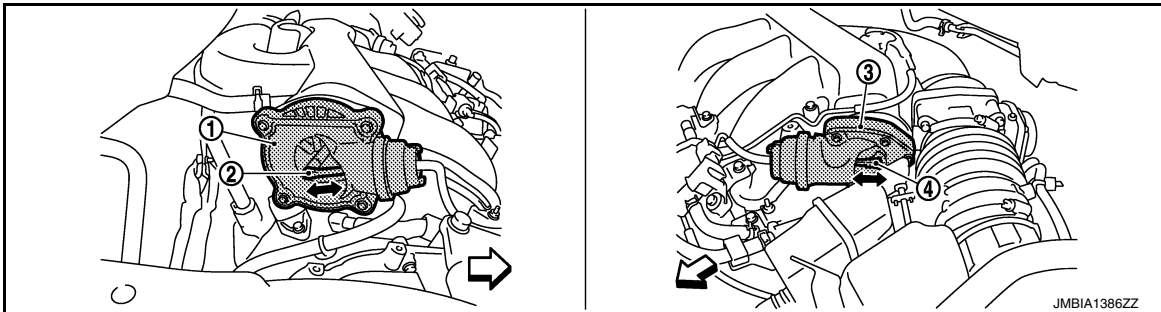
[VQ35DE]



- ① Power valve actuator 1 ② Power valve actuator 1 rod ③ Power valve actuator 2
④ Power valve actuator 2 rod
↶ : Vehicle front

⊗ Without CONSULT

1. When revving engine up to 5,000 rpm quickly.
2. Rev engine quickly up to approximately 5,000 rpm.
3. Check that power valve actuator 2 rod moves.



- ① Power valve actuator 1 ② Power valve actuator 1 rod ③ Power valve actuator 2
④ Power valve actuator 2 rod
↶ : Vehicle front

Is the inspection result normal?

- YES >> INSPECTION END
NO >> [EC-572. "Diagnosis Procedure"](#).

Diagnosis Procedure

INFOID:0000000011940045

1. INSPECTION START

Confirm the malfunctioning system (power valve 1 or power valve 2). Refer to [EC-571. "Component Function Check"](#).

Which system is related to the incident?

- Power valve 1 >> GO TO 2.
Power valve 2 >> GO TO 6.

2. CHECK VACUUM EXISTENCE-I

Ⓜ With CONSULT

1. Stop engine and disconnect vacuum hose connected to power valve actuator 1.
2. Start engine and let it idle.
3. Perform "VIAS S/V-1" in "ACTIVE TEST" mode with CONSULT.
4. Turn VIAS control solenoid valve 1 ON and OFF, and check vacuum existence under the following conditions.

VARIABLE INDUCTION AIR SYSTEM

< DTC/CIRCUIT DIAGNOSIS >

[VQ35DE]

VIAS S/V-1	Vacuum
ON	Existed
OFF	Not existed

⊗ Without CONSULT

1. Stop engine and disconnect vacuum hose connected to power valve actuator 1.
2. Disconnect VIAS control solenoid valve 1 harness connector.
3. Start engine.
4. Rev engine quickly up to approximately 5,000 rpm.
5. Check vacuum existence under the following conditions.

Condition	Vacuum
Idle	Existed
Rev engine quickly up to approximately 5,000 rpm	Not existed

Is the inspection result normal?

YES >> Repair or replace power valve actuator 1. Refer to [EC-15. "ENGINE CONTROL SYSTEM : Component Parts Location"](#).

NO >> GO TO 3.

3. CHECK VACUUM TANK

1. Stop engine and disconnect vacuum hose connected to intake manifold collector.
2. Start engine and let it idle.
3. Check vacuum existence from intake manifold collector.

Does vacuum existence from the intake manifold collector?

YES >> GO TO 4.

NO >> Replace intake manifold collector. Refer to [EM-27. "Removal and Installation"](#).

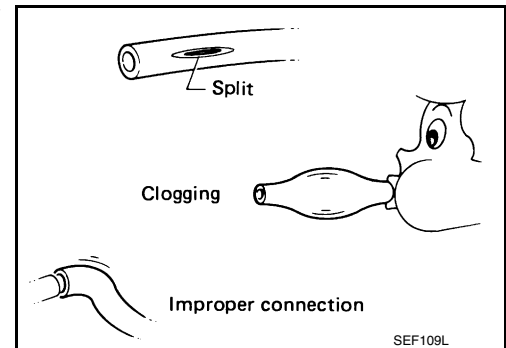
4. CHECK VACUUM HOSE

1. Stop engine.
2. Check vacuum hose for crack, clogging, improper connection or disconnection. Refer to [EC-52. "VARIABLE INDUCTION AIR SYSTEM : System Description"](#).

Is the inspection result normal?

YES >> GO TO 5.

NO >> Repair hoses or tubes.



5. CHECK VIAS CONTROL SOLENOID VALVE 1

Check VIAS control solenoid valve 1. Refer to [EC-488. "Component Inspection"](#).

Is the inspection result normal?

YES >> GO TO 8.

NO >> Replace VIAS control solenoid valve 1. Refer to [EC-15. "ENGINE CONTROL SYSTEM : Component Parts Location"](#).

6. CHECK VACUUM EXISTENCE-II

Ⓜ With CONSULT

1. Stop engine and disconnect vacuum hose connected to power valve actuator 2.
2. Start engine and let it idle.
3. Perform "VIAS S/V-2" in "ACTIVE TEST" mode with CONSULT.
4. Turn VIAS control solenoid valve 2 ON and OFF, and check vacuum existence under the following conditions.

VARIABLE INDUCTION AIR SYSTEM

[VQ35DE]

< DTC/CIRCUIT DIAGNOSIS >

VIAS S/V 2	Vacuum
ON	Existed
OFF	Not existed

⊗ Without CONSULT

1. Stop engine and disconnect vacuum hose connected to power valve actuator 2.
2. Disconnect VIAS control solenoid valve 1 harness connector.
3. Start engine.
4. Rev engine quickly up to approximately 5,000 rpm.
5. Check vacuum existence under the following conditions.

Condition	Operation
Idle	Existed
Rev engine quickly up to approximately 5,000 rpm	Not existed

Is the inspection result normal?

YES >> Repair or replace power valve actuator 2. Refer to [EC-15. "ENGINE CONTROL SYSTEM : Component Parts Location"](#).

NO >> GO TO 7.

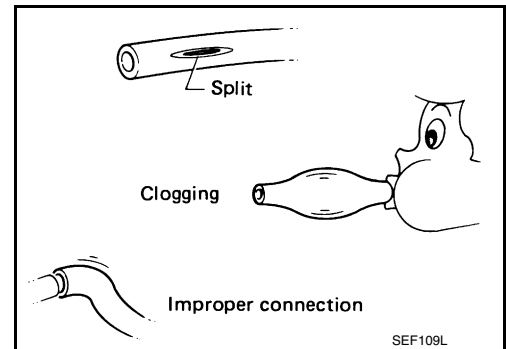
7. CHECK VACUUM HOSE

1. Stop engine.
2. Check vacuum hose for crack, clogging, improper connection or disconnection. Refer to [EC-52. "VARIABLE INDUCTION AIR SYSTEM : System Description"](#).

Is the inspection result normal?

YES >> GO TO 8.

NO >> Repair hoses or tubes.



8. CHECK VIAS CONTROL SOLENOID VALVE 2

Check VIAS control solenoid valve 2. Refer to [EC-491. "Component Inspection"](#).

Is the inspection result normal?

YES >> Check intermittent incident. Refer to [GI-41. "Intermittent Incident"](#).

NO >> Replace VIAS control solenoid valve 2. Refer to [EC-15. "ENGINE CONTROL SYSTEM : Component Parts Location"](#).

ENGINE CONTROL SYSTEM SYMPTOMS

< SYMPTOM DIAGNOSIS >

[VQ35DE]

SYMPTOM DIAGNOSIS

ENGINE CONTROL SYSTEM SYMPTOMS

Symptom Table

INFOID:0000000011940046

SYSTEM — BASIC ENGINE CONTROL SYSTEM

		SYMPTOM												Reference page	
		HARD/NO START/RESTART (EXCP. HA)	ENGINE STALL	HESITATION/SURGING/FLAT SPOT	SPARK KNOCK/DETONATION	LACK OF POWER/POOR ACCELERATION	HIGH IDLE/LOW IDLE	ROUGH IDLE/HUNTING	IDLING VIBRATION	SLOW/NO RETURN TO IDLE	OVERHEATS/WATER TEMPERATURE HIGH	EXCESSIVE FUEL CONSUMPTION	EXCESSIVE OIL CONSUMPTION		BATTERY DEAD (UNDER CHARGE)
Warranty symptom code		AA	AB	AC	AD	AE	AF	AG	AH	AJ	AK	AL	AM	HA	
Fuel	Fuel pump circuit	1	1	2	3	2		2	2			3		2	EC-553
	Fuel pressure regulator system	3	3	4	4	4	4	4	4	4		4			EC-168
	Fuel injector circuit	1	1	2	3	2		2	2			2			EC-550
	Evaporative emission system	3	3	4	4	4	4	4	4	4	4	4			EC-46
Air	Positive crankcase ventilation system	3	3	4	4	4	4	4	4	4		4	1		EC-31
	Incorrect idle speed adjustment						1	1	1	1		1			EC-164
	Electric throttle control actuator	1	1	2	3	3	2	2	2	2		2		2	EC-504 , EC-509
Ignition	Incorrect ignition timing adjustment	3	3	1	1	1		1	1			1			EC-164
	Ignition circuit	1	1	2	2	2		2	2			2			EC-555
Power supply and ground circuit		2	2	3	3	3		3	3		2	3			EC-190
Mass air flow sensor circuit		1			2										EC-221 , EC-226
Engine coolant temperature sensor circuit							3				3				EC-238 , EC-244
Air fuel ratio (A/F) sensor 1 circuit			1	2	3	2		2	2			2			EC-252 , EC-256 , EC-259 , EC-282 , EC-497
Throttle position sensor circuit							2			2					EC-241 , EC-312 , EC-440 , EC-442 , EC-518
Accelerator pedal position sensor circuit				3	2	1									EC-424 , EC-511 , EC-514 , EC-521

ENGINE CONTROL SYSTEM SYMPTOMS

< SYMPTOM DIAGNOSIS >

[VQ35DE]

	SYMPTOM												Reference page	
	HARD/NO START/RESTART (EXCP. HA)	ENGINE STALL	HESITATION/SURGING/FLAT SPOT	SPARK KNOCK/DETONATION	LACK OF POWER/POOR ACCELERATION	HIGH IDLE/LOW IDLE	ROUGH IDLE/HUNTING	IDLING VIBRATION	SLOW/NO RETURN TO IDLE	OVERHEATS/WATER TEMPERATURE HIGH	EXCESSIVE FUEL CONSUMPTION	EXCESSIVE OIL CONSUMPTION		BATTERY DEAD (UNDER CHARGE)
Warranty symptom code	AA	AB	AC	AD	AE	AF	AG	AH	AJ	AK	AL	AM	HA	
Knock sensor circuit			2								3			EC-323
Engine oil temperature sensor			4		2						3			EC-306 , EC-310
Crankshaft position sensor (POS) circuit	2	2												EC-326
Camshaft position sensor (PHASE) circuit	3	2												EC-330
Vehicle speed signal circuit		2	3		3						3			EC-386
ECM	2	2	3	3	3	3	3	3	3	3	3			EC-411 , EC-415
Intake valve timing control solenoid valve circuit		3	2		1	3	2	2	3		3			EC-213
Intake valve timing intermediate lock control solenoid valve circuit														EC-404
Exhaust valve timing control solenoid valve		3	2		1	3	2	2	3		3			EC-218
PNP signal circuit			3		3		3	3			3			EC-427
VIAS control solenoid valve 1 circuit					1									EC-487
VIAS control solenoid valve 2 circuit					1									EC-490
Refrigerant pressure sensor circuit		2				3			3		4			EC-567
Electrical load signal circuit							3							EC-545
Air conditioner circuit	2	2	3	3	3	3	3	3	3		3		2	HAC-43
ABS actuator and electric unit (control unit)			4											BRC-60 , BRC-243

1 - 6: The numbers refer to the order of inspection.

(continued on next page)

SYSTEM — ENGINE MECHANICAL & OTHER

ENGINE CONTROL SYSTEM SYMPTOMS

< SYMPTOM DIAGNOSIS >

[VQ35DE]

		SYMPTOM												Reference page	
		HARD/NO START/RESTART (EXCP. HA)	ENGINE STALL	HESITATION/SURGING/FLAT SPOT	SPARK KNOCK/DETONATION	LACK OF POWER/POOR ACCELERATION	HIGH IDLE/LOW IDLE	ROUGH IDLE/HUNTING	IDLING VIBRATION	SLOW/NO RETURN TO IDLE	OVERHEATSWATER TEMPERATURE HIGH	EXCESSIVE FUEL CONSUMPTION	EXCESSIVE OIL CONSUMPTION		BATTERY DEAD (UNDER CHARGE)
Warranty symptom code		AA	AB	AC	AD	AE	AF	AG	AH	AJ	AK	AL	AM	HA	
Fuel	Fuel tank	5	5											FL-4	
	Fuel piping			5	5	5		5	5		5				
	Vapor lock														—
	Valve deposit														—
	Poor fuel (Heavy weight gasoline, Low octane)	5			5	5	5		5	5			5		—
Air	Air duct		5											EM-26	
	Air cleaner													EM-26	
	Air leakage from air duct (Mass air flow sensor — electric throttle control actuator)	5		5	5	5		5	5				5		EM-26
	Electric throttle control actuator				5		5				5				EM-27
	Air leakage from intake manifold/Collector/Gasket														
Cranking	Battery													PG-92	
	Generator circuit	1	1	1		1		1	1				1	CHG-13 (With EXP-800 NI or GR8-1200 NI)*, CHG-16 (Without EXP-800 NI or GR8-1200 NI)*	
	Starter circuit	3										1		STR-10 (With GR8-1200 NI)*, STR-14 (Without GR8-1200 NI)*	
	Signal plate	6												EM-126	
	PNP signal	4												EC-427	

A
EC
C
D
E
F
G
H
I
J
K
L
M
N
O
P

ENGINE CONTROL SYSTEM SYMPTOMS

< SYMPTOM DIAGNOSIS >

[VQ35DE]

		SYMPTOM												Reference page	
		HARD/NO START/RESTART (EXCP. HA)	ENGINE STALL	HESITATION/SURGING/FLAT SPOT	SPARK KNOCK/DETONATION	LACK OF POWER/POOR ACCELERATION	HIGH IDLE/LOW IDLE	ROUGH IDLE/HUNTING	IDLING VIBRATION	SLOW/NO RETURN TO IDLE	OVERHEATS/WATER TEMPERATURE HIGH	EXCESSIVE FUEL CONSUMPTION	EXCESSIVE OIL CONSUMPTION		BATTERY DEAD (UNDER CHARGE)
Warranty symptom code		AA	AB	AC	AD	AE	AF	AG	AH	AJ	AK	AL	AM	HA	
Engine	Cylinder head	5	5	5	5	5		5	5			5	3		EM-97
	Cylinder head gasket										4				
	Cylinder block												4		EM-126
	Piston														
	Piston ring	6	6	6	6	6		6	6			6			
	Connecting rod														
	Bearing														
	Crankshaft														
Valve mechanism	Timing chain														EM-66
	Camshaft														EM-86
	Intake valve timing control	5	5	5	5	5		5	5			5			EM-55 , EM-56
	Exhaust valve timing control														EM-55 , EM-56
	Intake valve												3		EM-97
	Exhaust valve														
Exhaust	Exhaust manifold/Tube/Muffler/Gasket	5	5	5	5	5		5	5			5			EM-32 , EM-34 , EX-4
	Three way catalyst														
Lubrication	Oil pan/Oil strainer/Oil pump/Oil filter/Oil gallery/Oil cooler	5	5	5	5	5		5	5			5			EM-39 , EM-40 , LU-12 , LU-15 , LU-6
	Oil level (Low)/Filthy oil														LU-8
Cooling	Radiator/Hose/Radiator filler cap														CO-15 , CO-10
	Thermostat									5					CO-23
	Water pump	5	5	5	5	5		5	5		4	5			CO-18
	Water gallery														CO-8
	Cooling fan														CO-16
	Coolant level (Low)/Contaminated coolant									5					CO-10
NVIS (NISSAN Vehicle Immobilizer System — NATS)		1	1												SEC-51

ENGINE CONTROL SYSTEM SYMPTOMS

< SYMPTOM DIAGNOSIS >

[VQ35DE]

1 - 6: The numbers refer to the order of inspection.

*: For the details of the EXP-800 NI or GR8-1200 NI, refer to [STR-3, "Special Service Tool"](#).

A

EC

C

D

E

F

G

H

I

J

K

L

M

N

O

P

NORMAL OPERATING CONDITION

< SYMPTOM DIAGNOSIS >

[VQ35DE]

NORMAL OPERATING CONDITION

Description

INFOID:000000011940047

FUEL CUT CONTROL (AT NO LOAD AND HIGH ENGINE SPEED)

If the engine speed is above 2,000 rpm under no load (for example, the selector lever position is P or N and engine speed is over 2,000 rpm) fuel will be cut off after some time. The exact time when the fuel is cut off varies based on engine speed.

Fuel cut will be operated until the engine speed reaches 1,100 rpm, then fuel cut will be cancelled.

NOTE:

This function is different from deceleration control listed under Multiport Fuel Injection (MFI) System, [EC-37](#), "[MULTIPOINT FUEL INJECTION SYSTEM : System Description](#)".

PERIODIC MAINTENANCE

IDLE SPEED

Work Procedure

INFOID:0000000011940048



1. CHECK IDLE SPEED

With CONSULT

Check idle speed in "DATA MONITOR" mode with CONSULT.

With GST

Check idle speed with Service \$01 of GST.

>> INSPECTION END

A
C
D
E
F
G
H
I
J
K
L
M
N
O
P

IGNITION TIMING

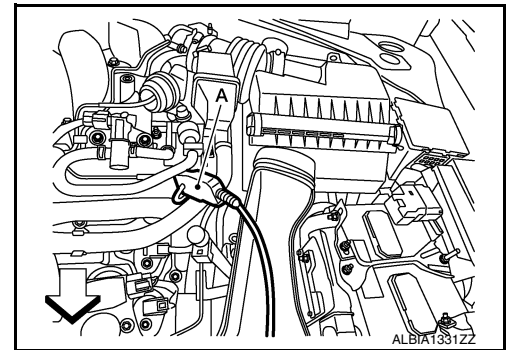
Work Procedure

INFOID:000000011940049

1. CHECK IGNITION TIMING

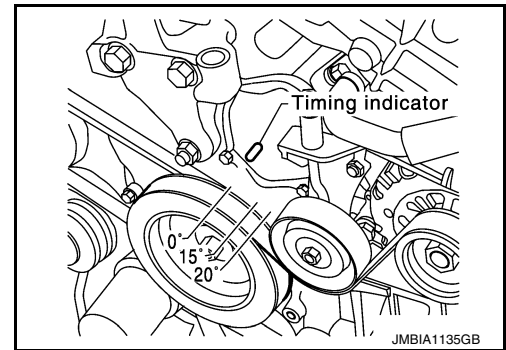
1. Attach timing light to loop wires as shown.

- (A) : Timing light
- ← : Vehicle front



2. Check ignition timing.

>> INSPECTION END



EVAP LEAK CHECK

< PERIODIC MAINTENANCE >

[VQ35DE]

EVAP LEAK CHECK

Work Procedure

INFOID:000000011940050

CAUTION:

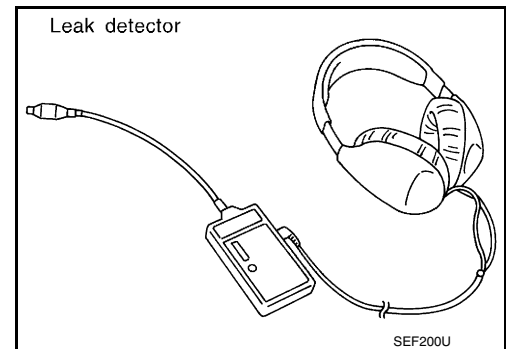
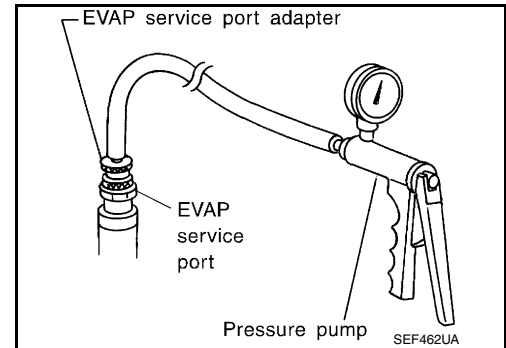
- Never use compressed air or a high pressure pump.
- Never exceed 4.12 kPa (0.042 kg/cm², 0.6 psi) of pressure in EVAP system.

NOTE:

- Do not start engine.
- Improper installation of EVAP service port adapter (commercial service tool) to the EVAP service port may cause a leakage.

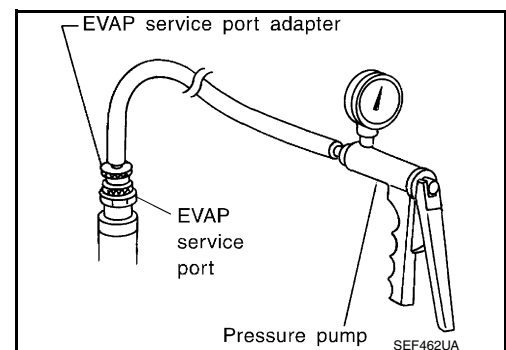
Ⓟ WITH CONSULT

1. To locate the EVAP leakage, install EVAP service port adapter (commercial service tool) and pressure pump to EVAP service port.
2. Turn ignition switch ON.
3. Select the "EVAP SYSTEM CLOSE" of "WORK SUPPORT MODE" with CONSULT.
4. Touch "START". A bar graph (Pressure indicating display) will appear on the screen.
5. Apply positive pressure to the EVAP system until the pressure indicator reaches the middle of the bar graph.
6. Remove EVAP service port adapter (commercial service tool) and hose with pressure pump.
7. Locate the leakage using a leakage detector (commercial service tool). Refer to [EC-46, "EVAPORATIVE EMISSION SYSTEM : System Description"](#).



ⓧ WITHOUT CONSULT

1. To locate the EVAP leakage, install EVAP service port adapter (commercial service tool) and pressure pump to EVAP service port.
2. Apply battery voltage between the terminals of EVAP canister vent control valve to make a closed EVAP system.
3. To locate the leakage, deliver positive pressure to the EVAP system until pressure gauge points reach 1.38 to 2.76 kPa (0.014 to 0.028 kg/cm², 0.2 to 0.4 psi).
4. Remove EVAP service port adapter (commercial service tool) and hose with pressure pump.



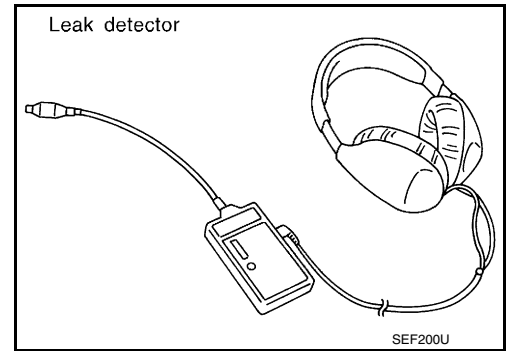
A
EC
C
D
E
F
G
H
I
J
K
L
M
N
O
P

EVAP LEAK CHECK

[VQ35DE]

< PERIODIC MAINTENANCE >

5. Locate the leakage using a leak detector (commercial service tool). Refer to [EC-46, "EVAPORATIVE EMISSION SYSTEM : System Description"](#).



POSITIVE CRANKCASE VENTILATION

< PERIODIC MAINTENANCE >

[VQ35DE]

POSITIVE CRANKCASE VENTILATION

Work Procedure

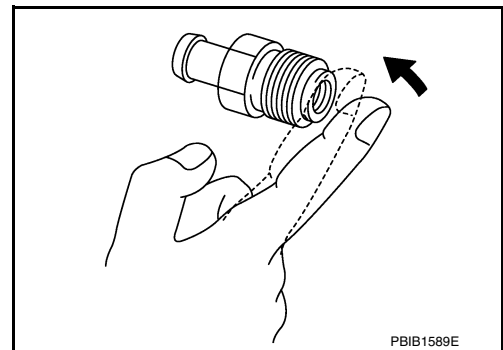
INFOID:000000011940051

1. CHECK PCV VALVE

With engine running at idle, remove PCV valve from rocker cover. A properly working valve makes a hissing noise as air passes through it. A strong vacuum should be felt immediately when a finger is placed over valve inlet.

Is the inspection result normal?

- YES >> INSPECTION END
- NO >> Replace PCV valve.



A

EC

C

D

E

F

G

H

I

J

K

L

M

N

O

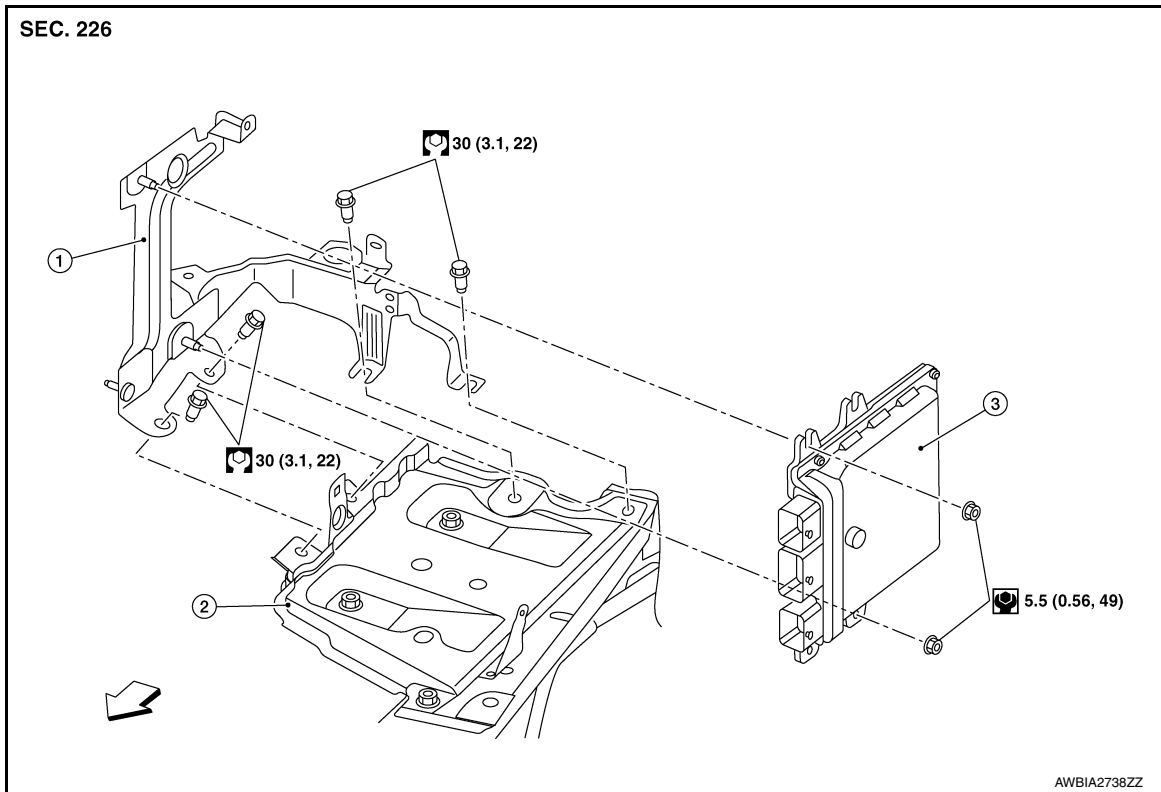
P

REMOVAL AND INSTALLATION

ECM

Exploded View

INFOID:000000012372821



1. ECM bracket

2. Battery tray

3. ECM

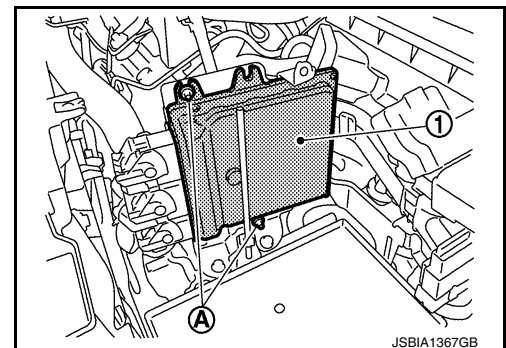
Front

Removal and Installation

INFOID:000000011940052

REMOVAL

1. Remove front air duct. Refer to [EM-26, "Removal and Installation"](#).
2. Remove battery. Refer to [PG-101, "Removal and Installation \(Battery\)"](#).
3. Disconnect the harness connectors from the ECM. Refer to [PG-9, "Harness Connector"](#).
4. Remove ECM nuts (A), and then remove ECM (1).



INSTALLATION

Installation is in the reverse order of removal.

CAUTION:

Perform **ADDITIONAL SERVICE WHEN REPLACING ECM**. Refer to [EC-156, "Description"](#).

SERVICE DATA AND SPECIFICATIONS (SDS)

< SERVICE DATA AND SPECIFICATIONS (SDS)

[VQ35DE]

SERVICE DATA AND SPECIFICATIONS (SDS)

SERVICE DATA AND SPECIFICATIONS (SDS)

Idle Speed

INFOID:0000000011940055

Condition	Specification
No load* (in P or N position)	650 ± 50 rpm

*: Under the following conditions

- A/C switch: OFF
- Electric load: OFF (Lights, heater fan & rear window defogger)
- Steering wheel: Kept in straight-ahead position

Ignition Timing

INFOID:0000000011940056

Condition	Specification
No load* (in P or N position)	10 ± 2° BTDC

*: Under the following conditions

- A/C switch: OFF
- Electric load: OFF (Lights, heater fan & rear window defogger)
- Steering wheel: Kept in straight-ahead position

Calculated Load Value

INFOID:0000000011940057

Condition	Specification (Using CONSULT or GST)
At idle	15 – 40 %
At 2,500 rpm	15 – 40 %

Mass Air Flow Sensor

INFOID:0000000011940058

Supply voltage	Approx. 5 V
Output frequency at idle (in N position)	3,900 – 4,500 Hz*
Mass air flow (Using CONSULT or GST)	2.1 – 5.7 g/s at idle* 7.5 – 21.5 g/s at 2,500 rpm*

*: Engine is warmed up to normal operating temperature and running under no load.